



US00D376074S

**United States Patent** [19]

[11] **Patent Number: Des. 376,074**

**Vossoughi et al.**

[45] **Date of Patent: \*\*Dec. 3, 1996**

[54] **LUNCH BOX**

[75] Inventors: **Sohrab Vossoughi; Henry Y. Chin,**  
both of Portland, Oreg.

[73] Assignee: **Ziba Design, Inc.,** Portland, Oreg.

[\*\*] Term: **14 Years**

[21] Appl. No.: **39,344**

[22] Filed: **May 25, 1995**

[52] U.S. Cl. .... **D7/629**

[58] **Field of Search** ..... D7/601, 629, 709,  
D7/710; D3/201, 273, 282; 206/541-545;  
220/412, DIG. 10

[56] **References Cited**

**U.S. PATENT DOCUMENTS**

D. 336,409 6/1993 Kahl et al. .... D7/709  
3,025,947 3/1962 Hammeiz ..... D7/709 X

*Primary Examiner*—Terry A. Wallace  
*Attorney, Agent, or Firm*—Stoel Rives LLP

[57] **CLAIM**

The ornamental design for a lunch box, as shown and described.

**DESCRIPTION**

FIG. 1 is a bottom, front isometric view of a lunch box showing our new design;

FIG. 2 is a right side elevation view thereof;

FIG. 3 is a left side elevation view thereof;

FIG. 4 is a top plan view thereof;

FIG. 5 is a bottom plan thereof;

FIG. 6 is a front elevation view thereof;

FIG. 7 is a rear elevation view thereof;

FIG. 8 is a bottom, rear elevation view thereof;

FIG. 9 is a top, front isometric view thereof with the extensible strap in an extended position for use as a handle;

FIG. 10 is a top, front isometric view thereof showing the extensible strap in an extended position for use as a shoulder strap;

FIG. 11 is a front elevational view of an alternative embodiment of the lunch box of FIGS. 1-10 substituting a flat surface for the scalloped lower front panel and a straight side profile for the sinusoidal-shaped opening knob; and,

FIG. 12 is a top, front isometric view of the variant of the lunch box of FIG. 11 with the eyelet-like tabs for the extensible strap omitted.

**1 Claim, 6 Drawing Sheets**

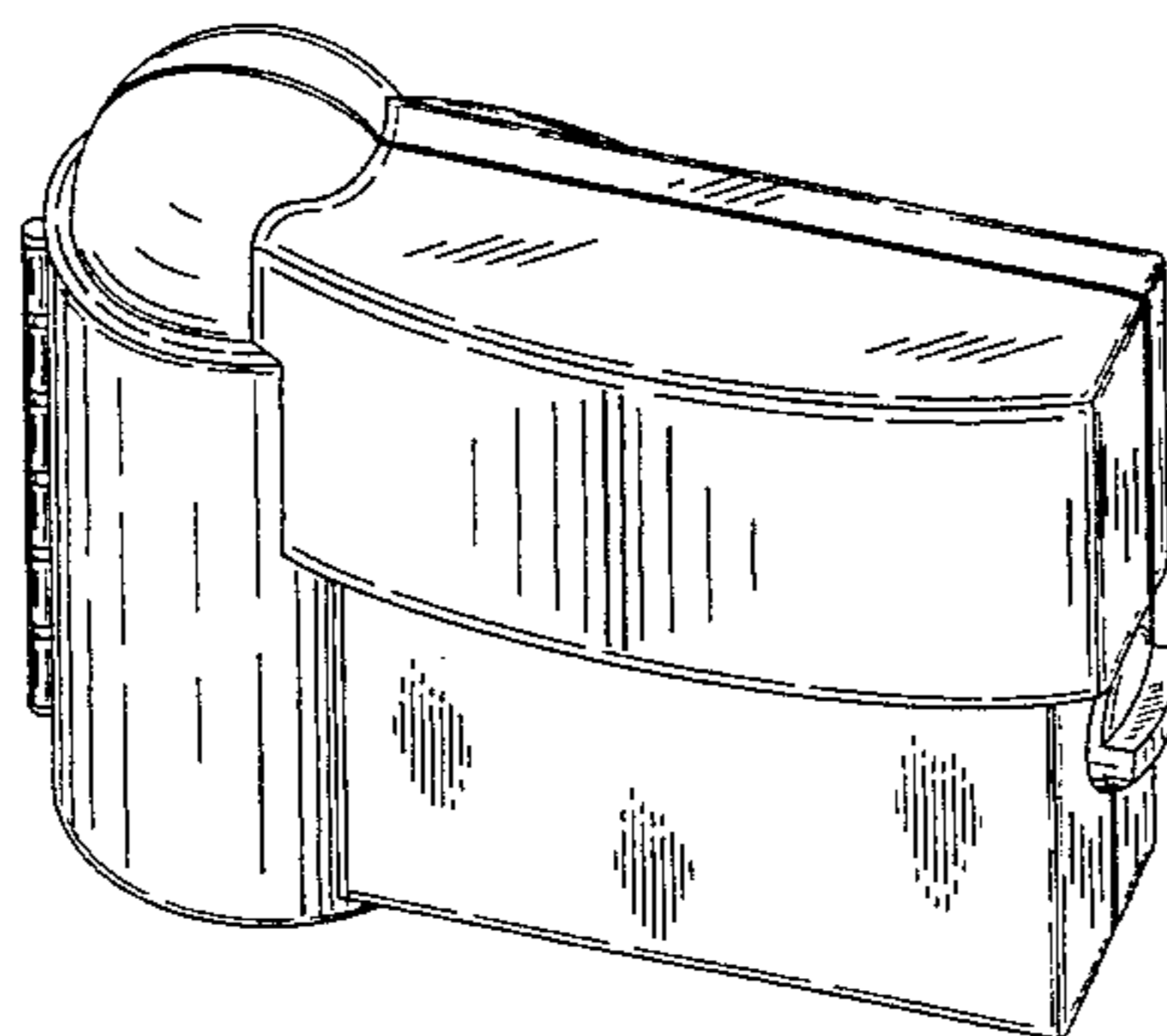
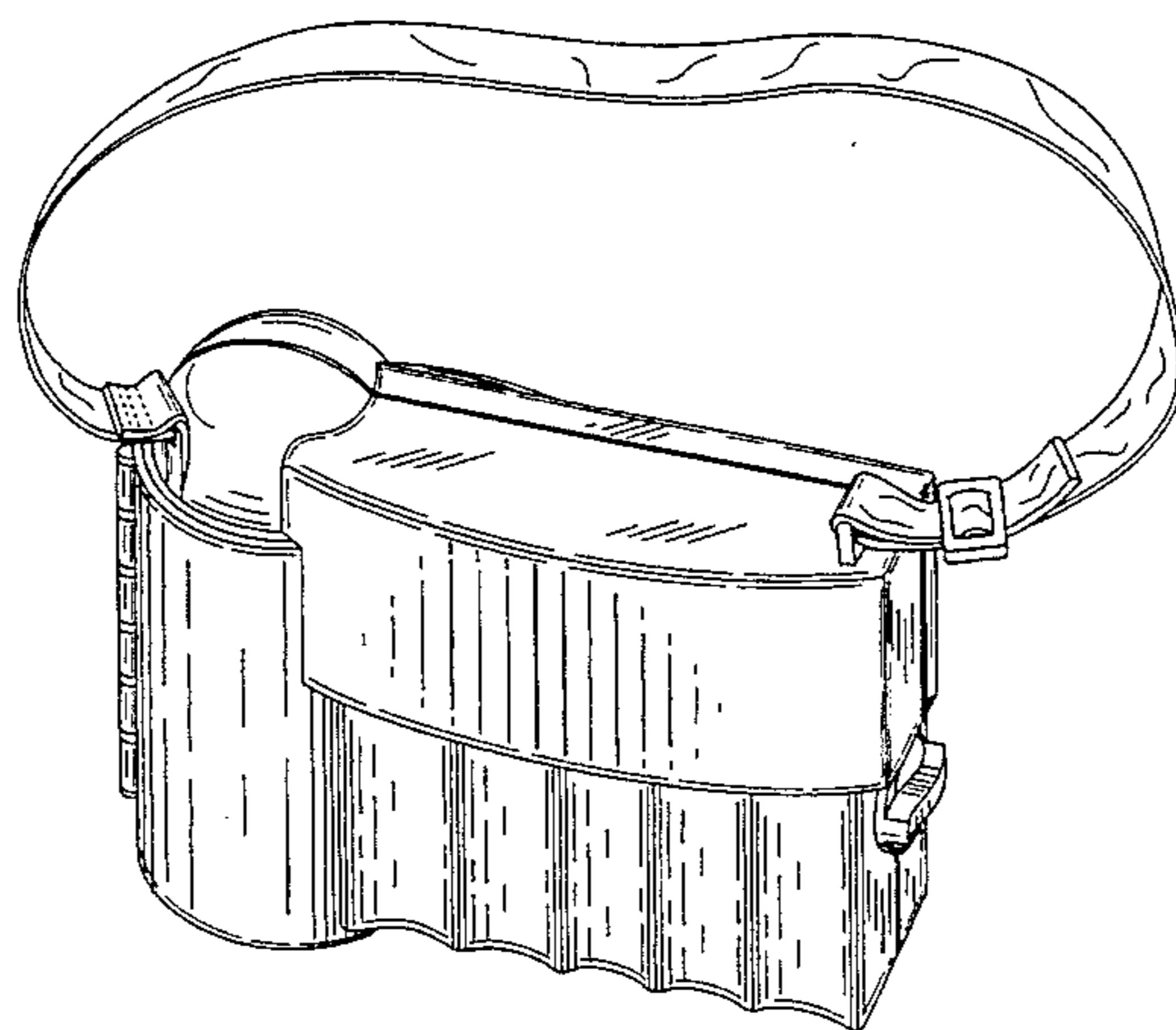


FIG. 1

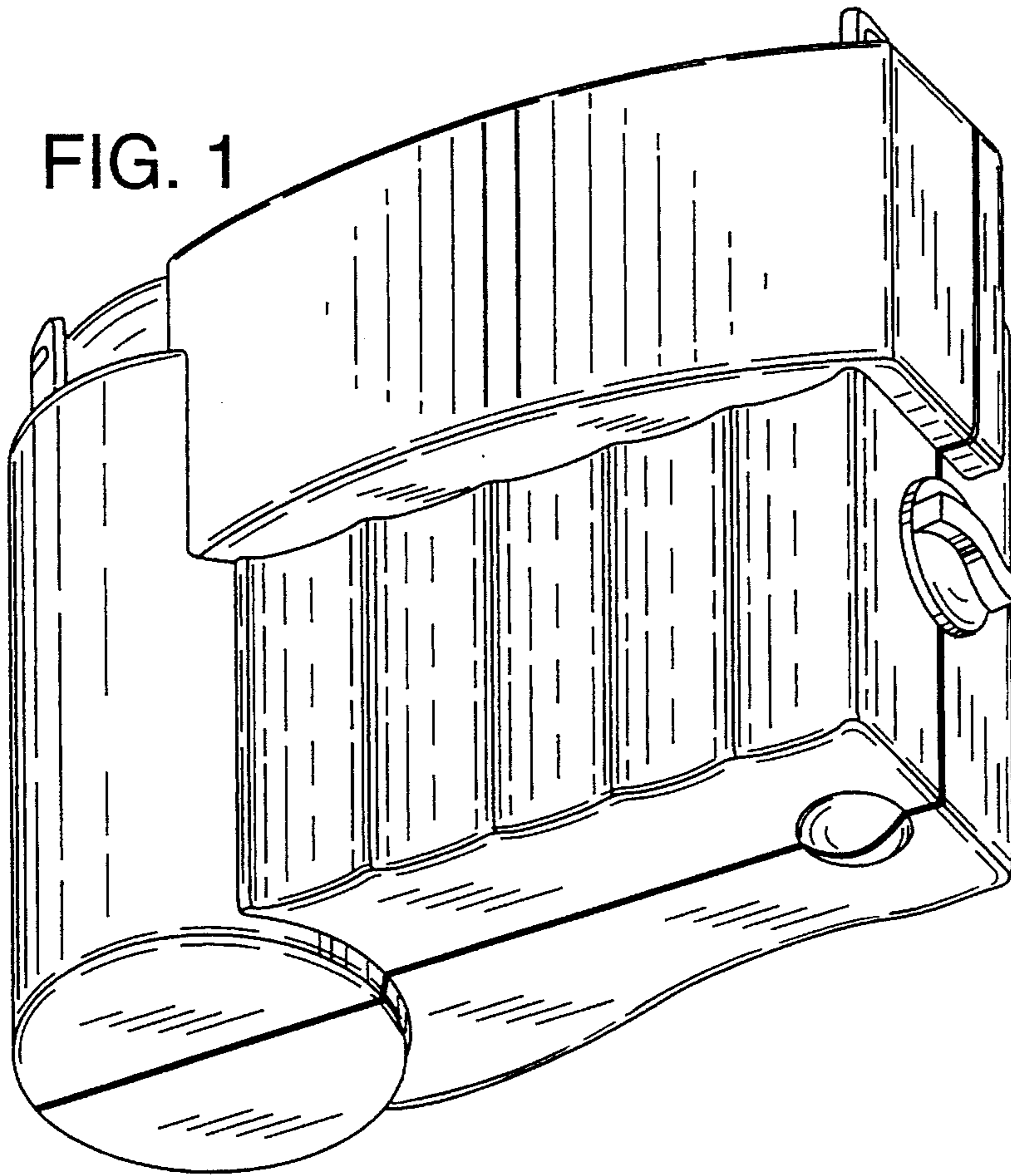


FIG. 2

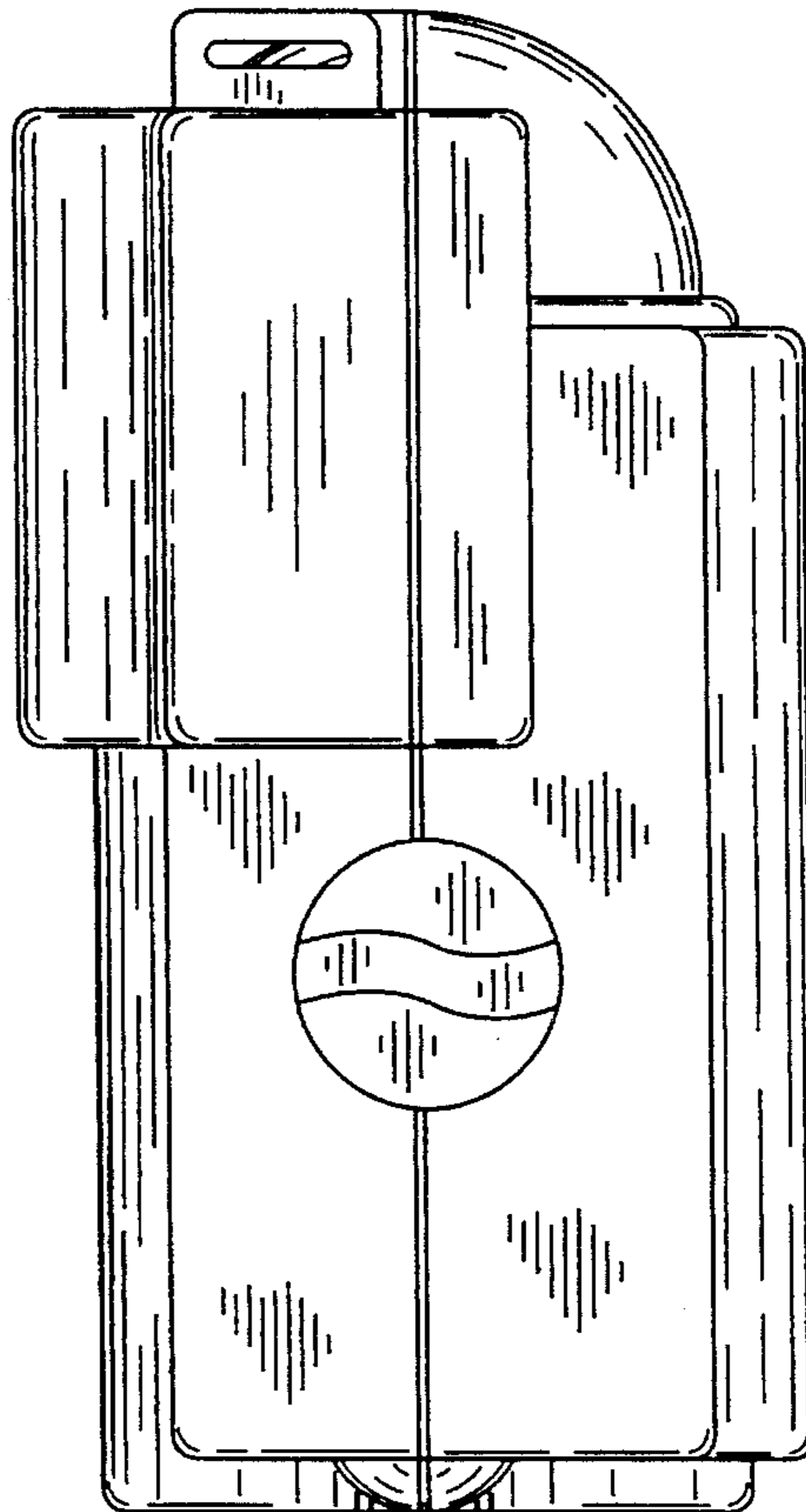


FIG. 3

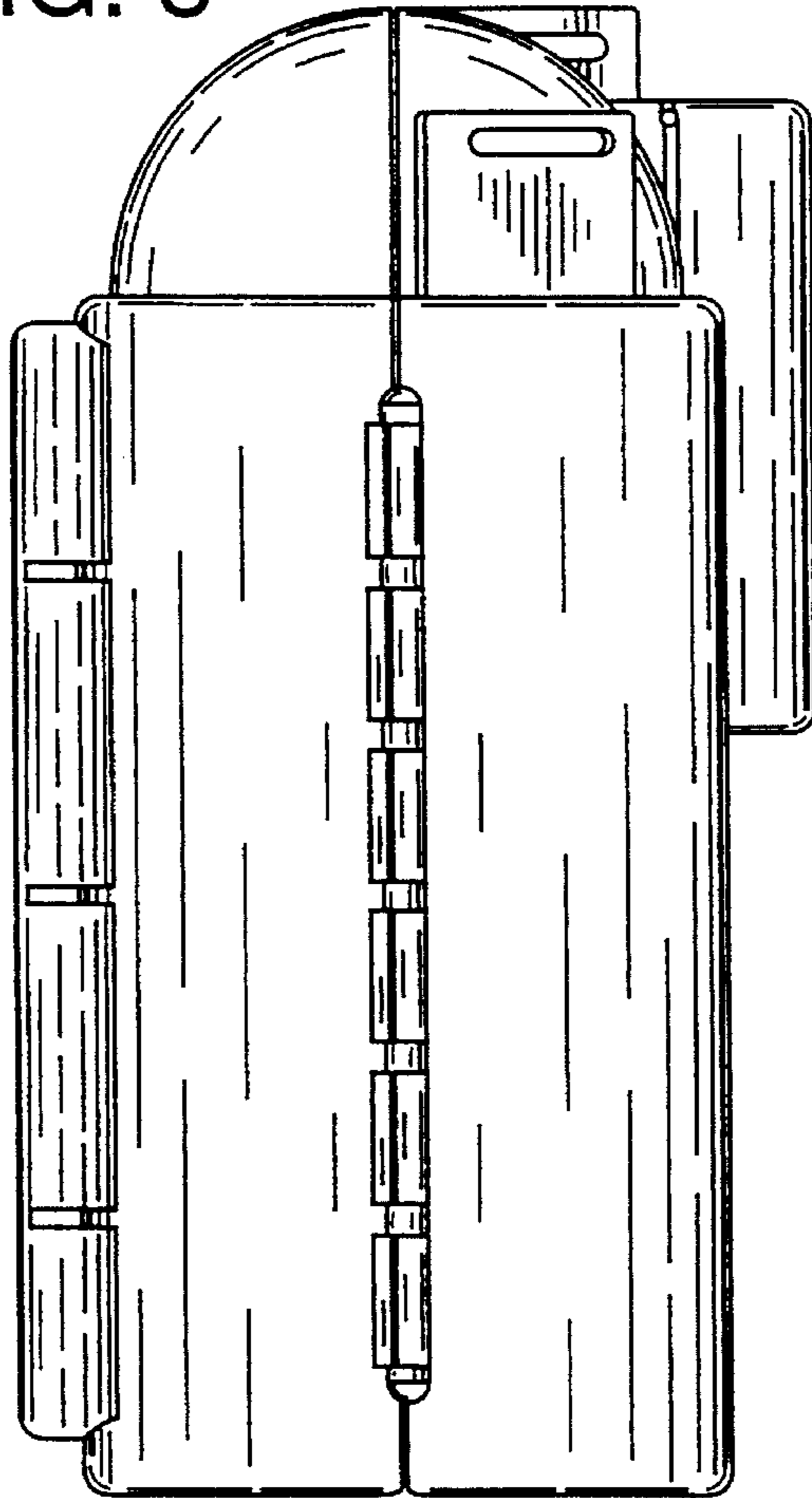


FIG. 4

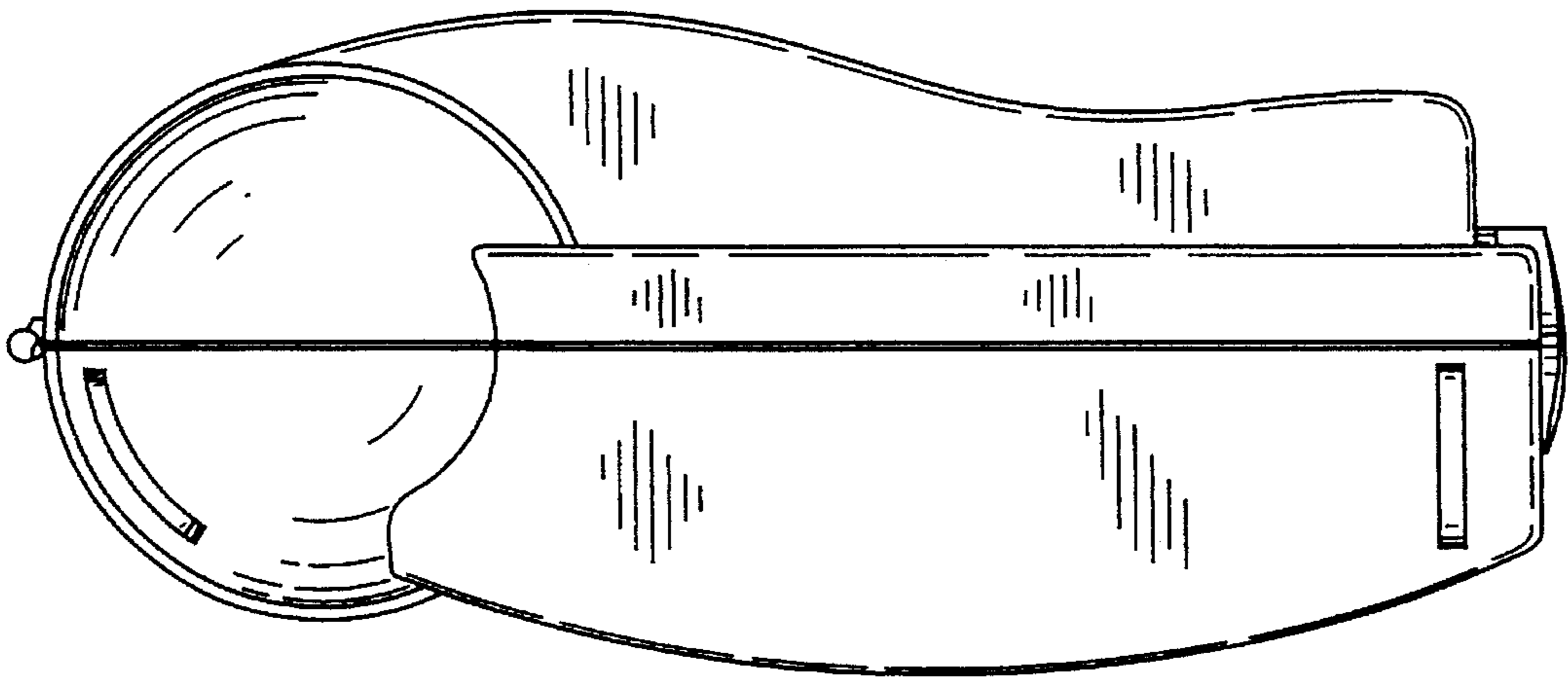


FIG. 5

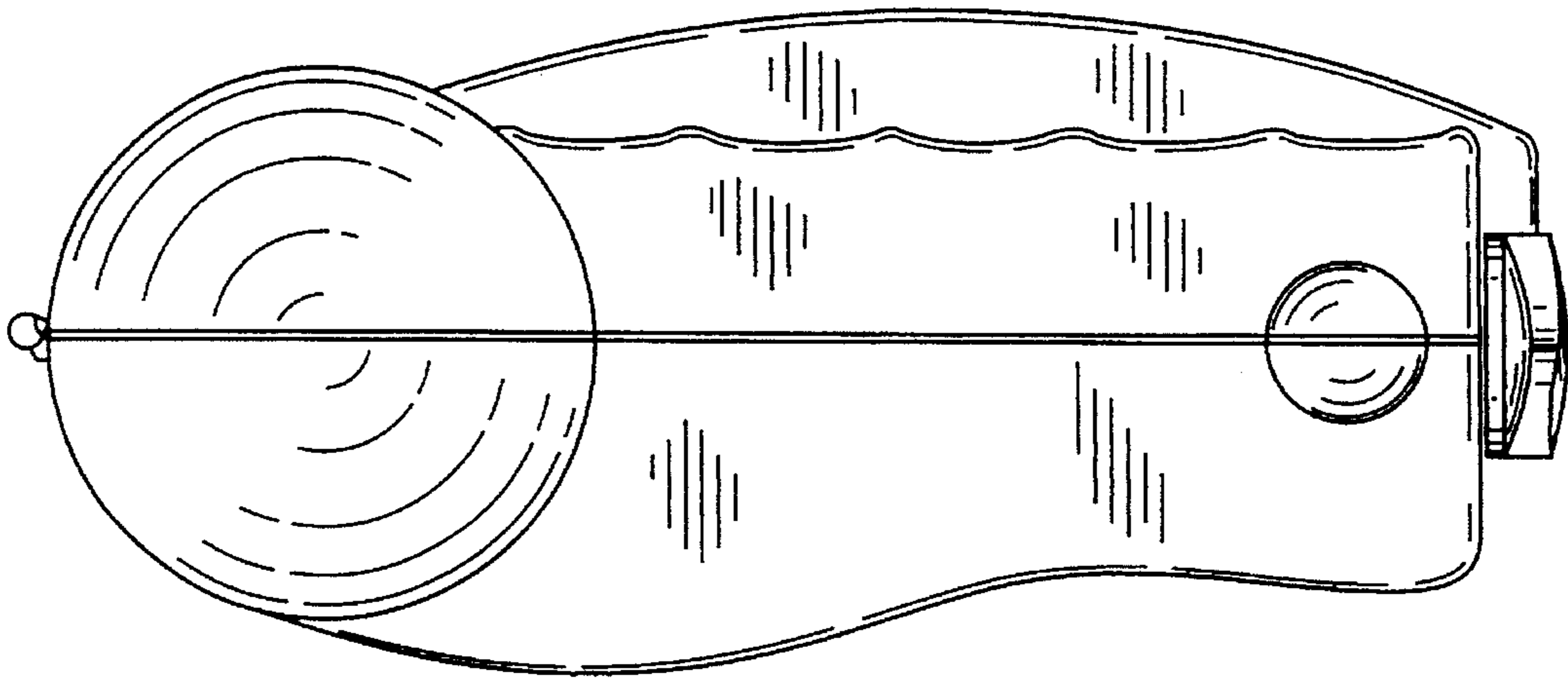


FIG. 6

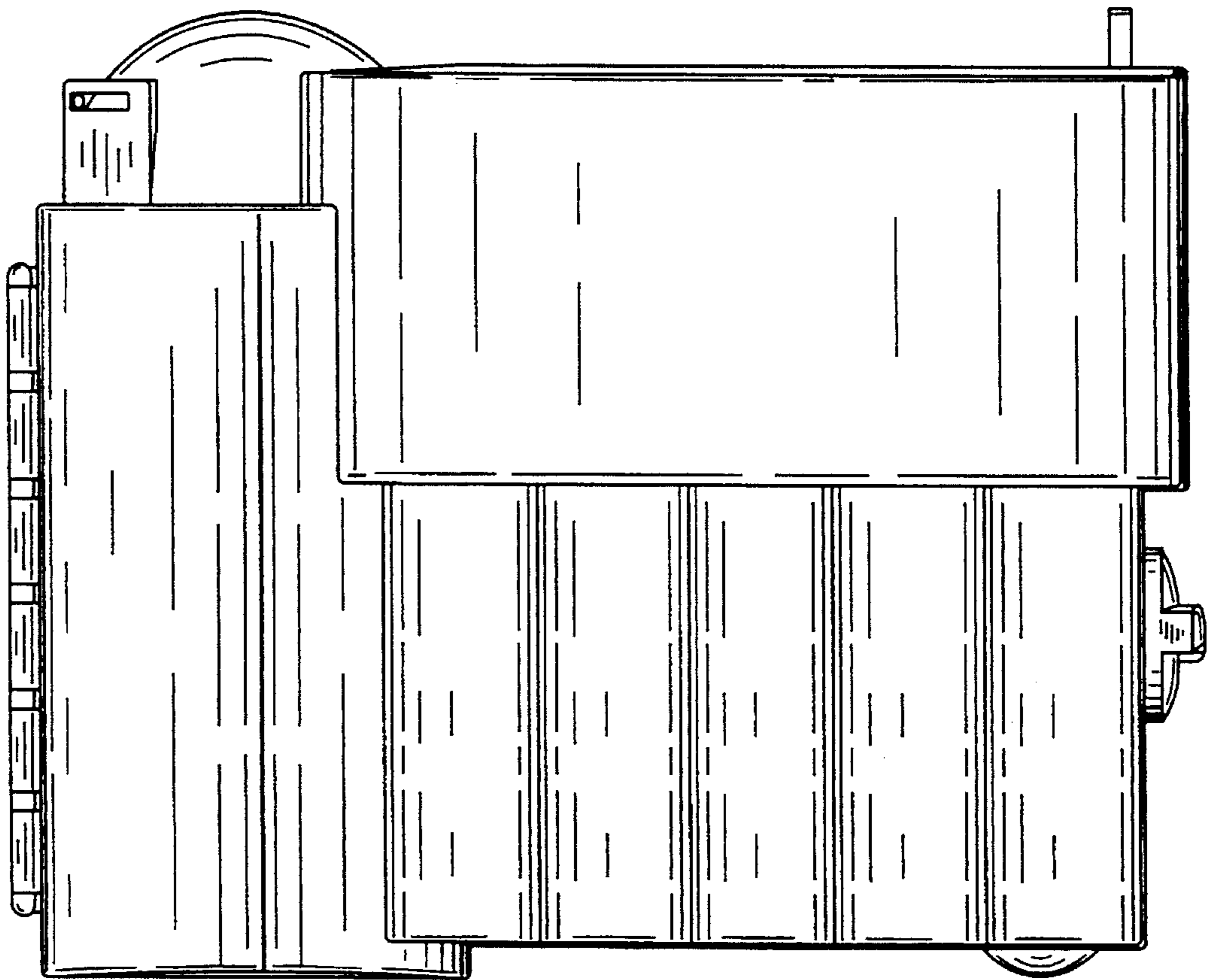




FIG. 7

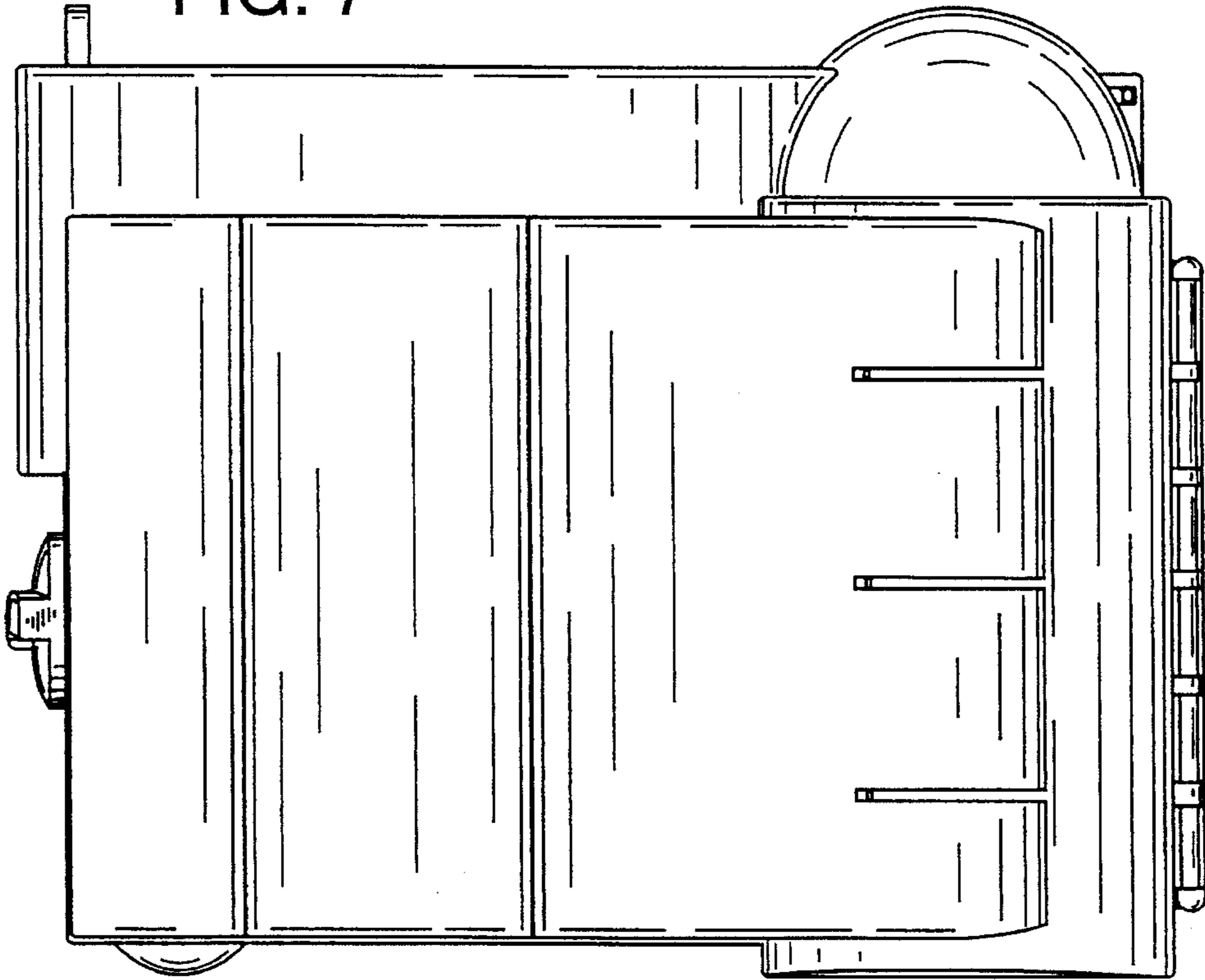
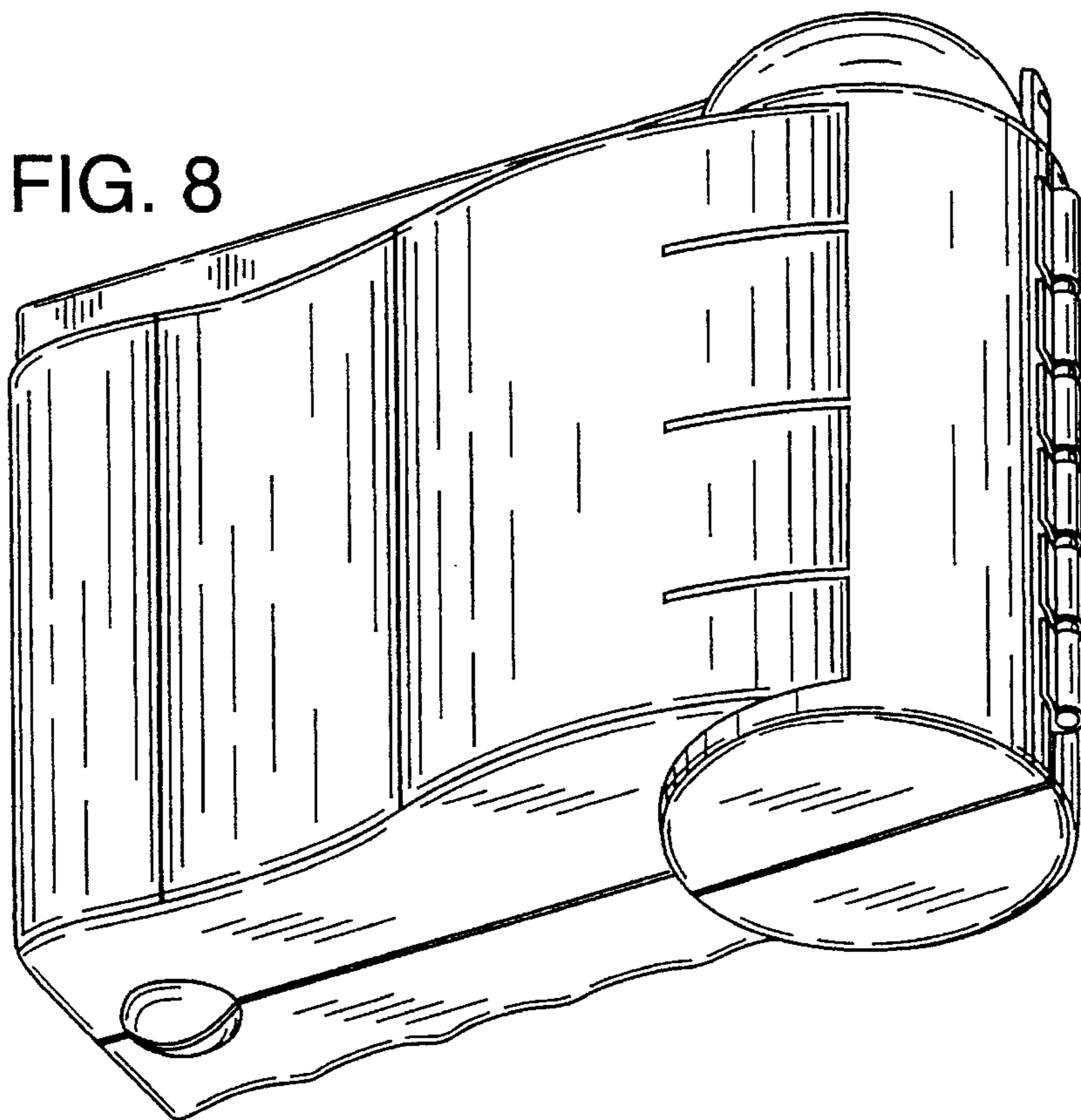


FIG. 8



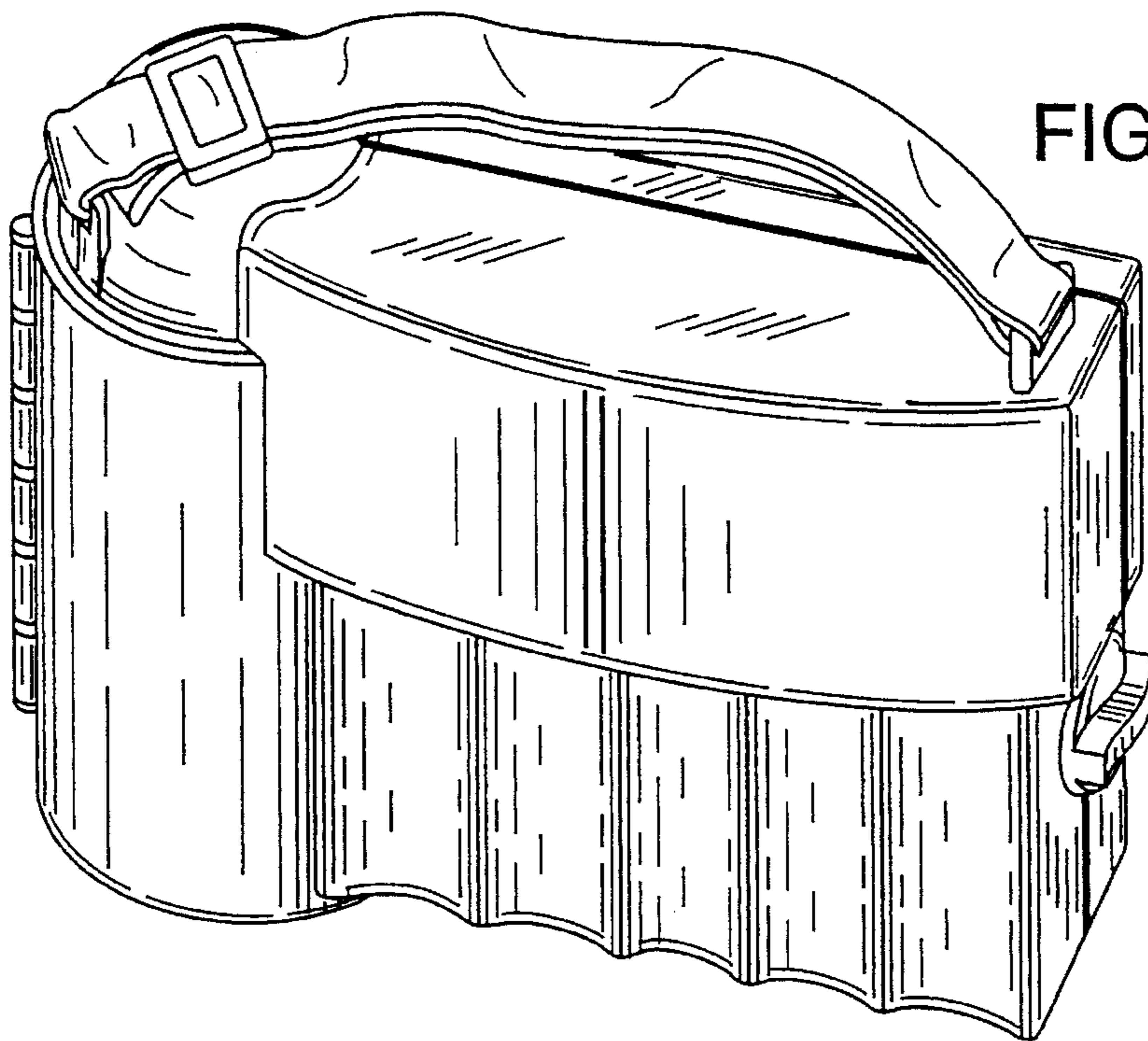


FIG. 9

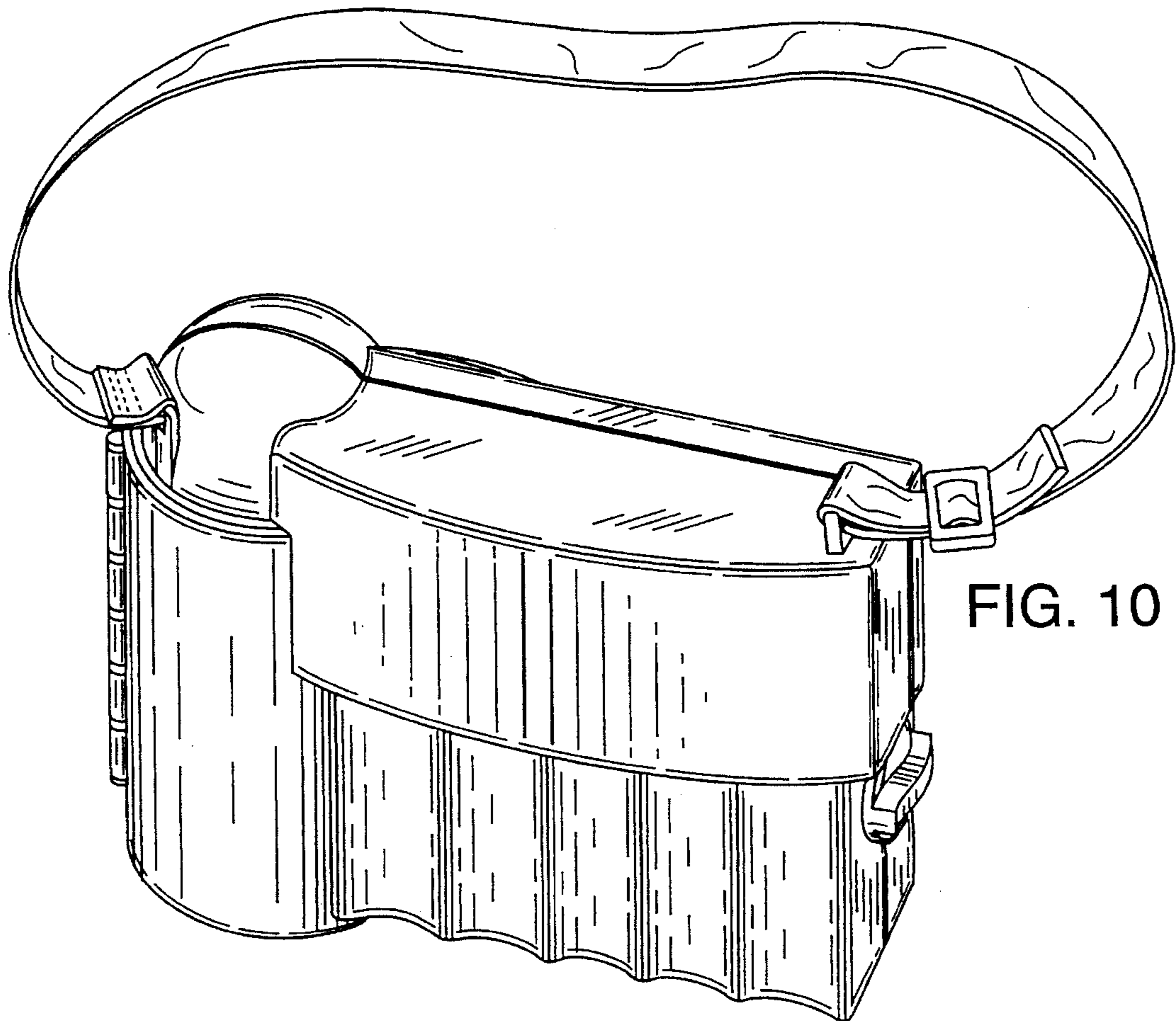


FIG. 10

FIG. 11

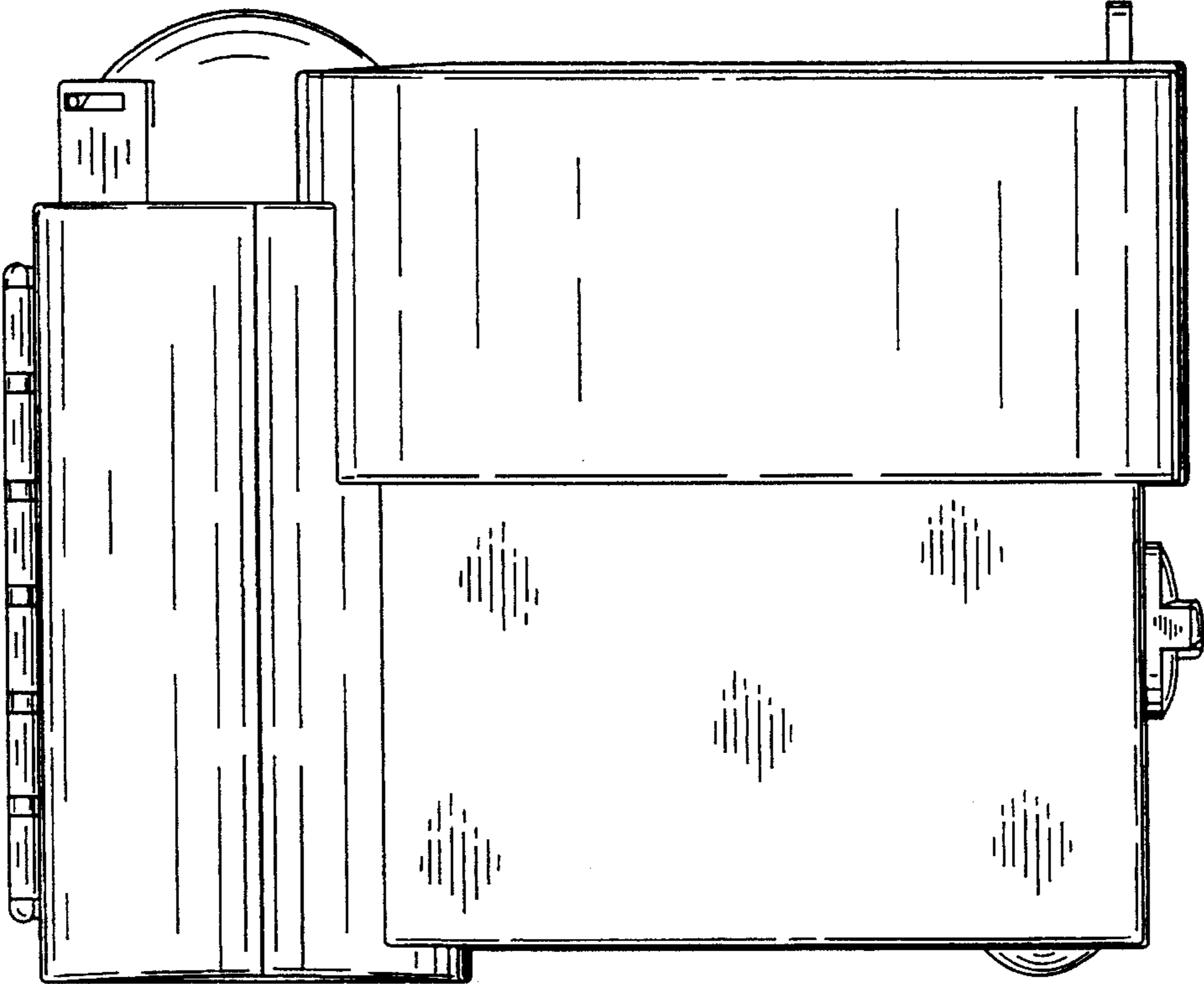


FIG. 12

