



US00D376072S

**United States Patent** [19]  
**Joergensen**

[11] **Patent Number:** **Des. 376,072**  
[45] **Date of Patent:** **\*\*Dec. 3, 1996**

[54] **CUP HOLDER**

4,828,211 5/1989 McConnell et al. .... 211/75 X  
5,167,392 12/1992 Henricksen ..... 248/311.2

[75] Inventor: **Carsten Joergensen**, Kriens,  
Switzerland

*Primary Examiner*—Terry A. Wallace  
*Attorney, Agent, or Firm*—Gipple & Hale

[73] Assignee: **PI-Design AG**, Triengen, Switzerland

[57] **CLAIM**

[\*\*] Term: **14 Years**

The ornamental design for a cup holder, as shown and described.

[21] Appl. No.: **38,463**

[22] Filed: **May 3, 1995**

**DESCRIPTION**

[30] **Foreign Application Priority Data**

Feb. 1, 1995 [DK] Denmark ..... 82/95

[52] **U.S. Cl.** ..... **D7/620**

[58] **Field of Search** ..... D7/619-625; 211/71,  
211/74, 75; 248/311.2, 309.1, 312, 312.1;  
220/737; 215/386, 392, 395, 399

FIG. 1 is a perspective view of a cup holder showing my new design;

FIG. 2 is a left side elevation view thereof;

FIG. 3 is a right side elevation view thereof;

FIG. 4 is a front elevation view thereof;

FIG. 5 is a rear elevation view thereof;

FIG. 6 is a top plan view thereof; and,

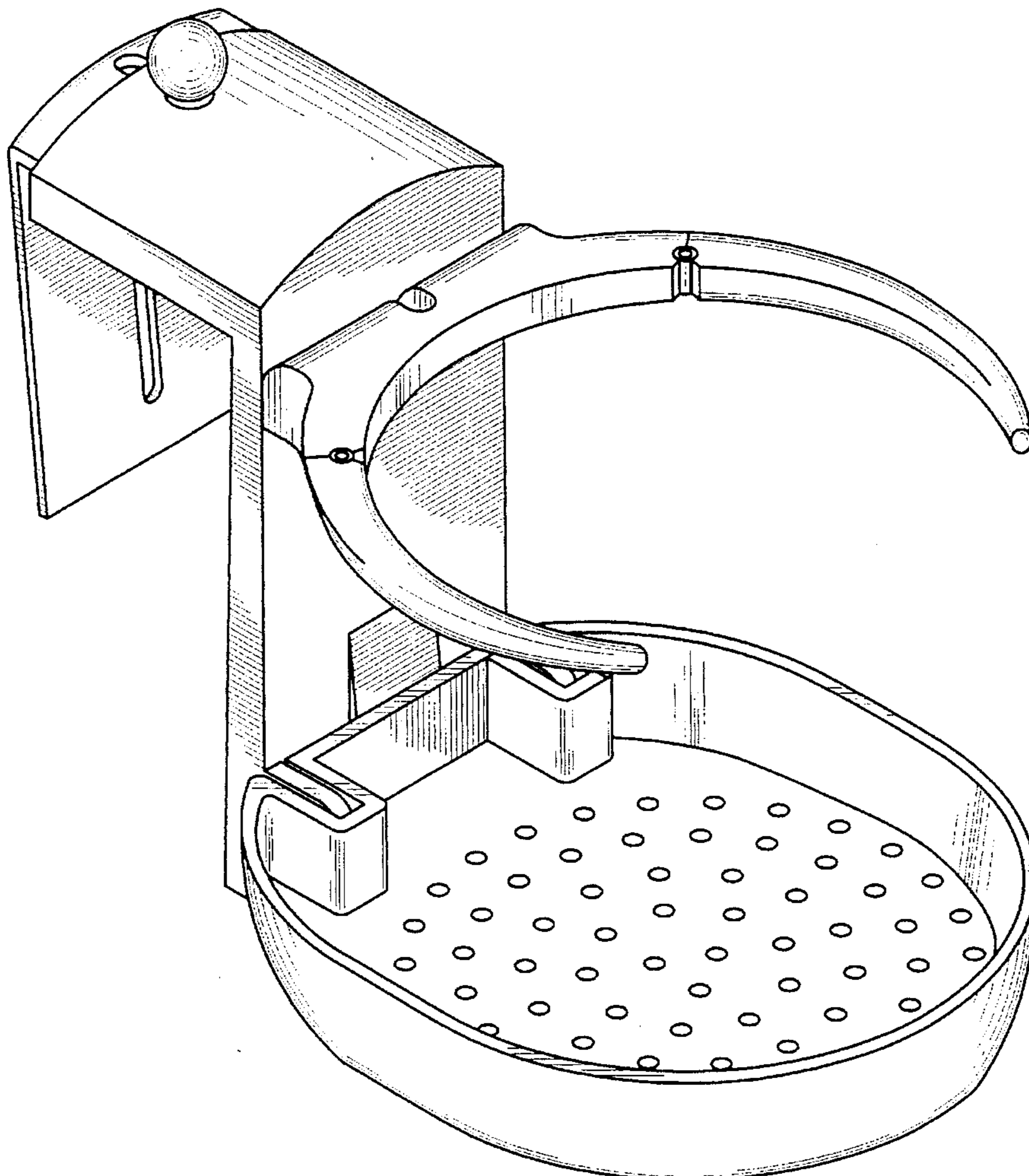
FIG. 7 is a bottom plan view thereof.

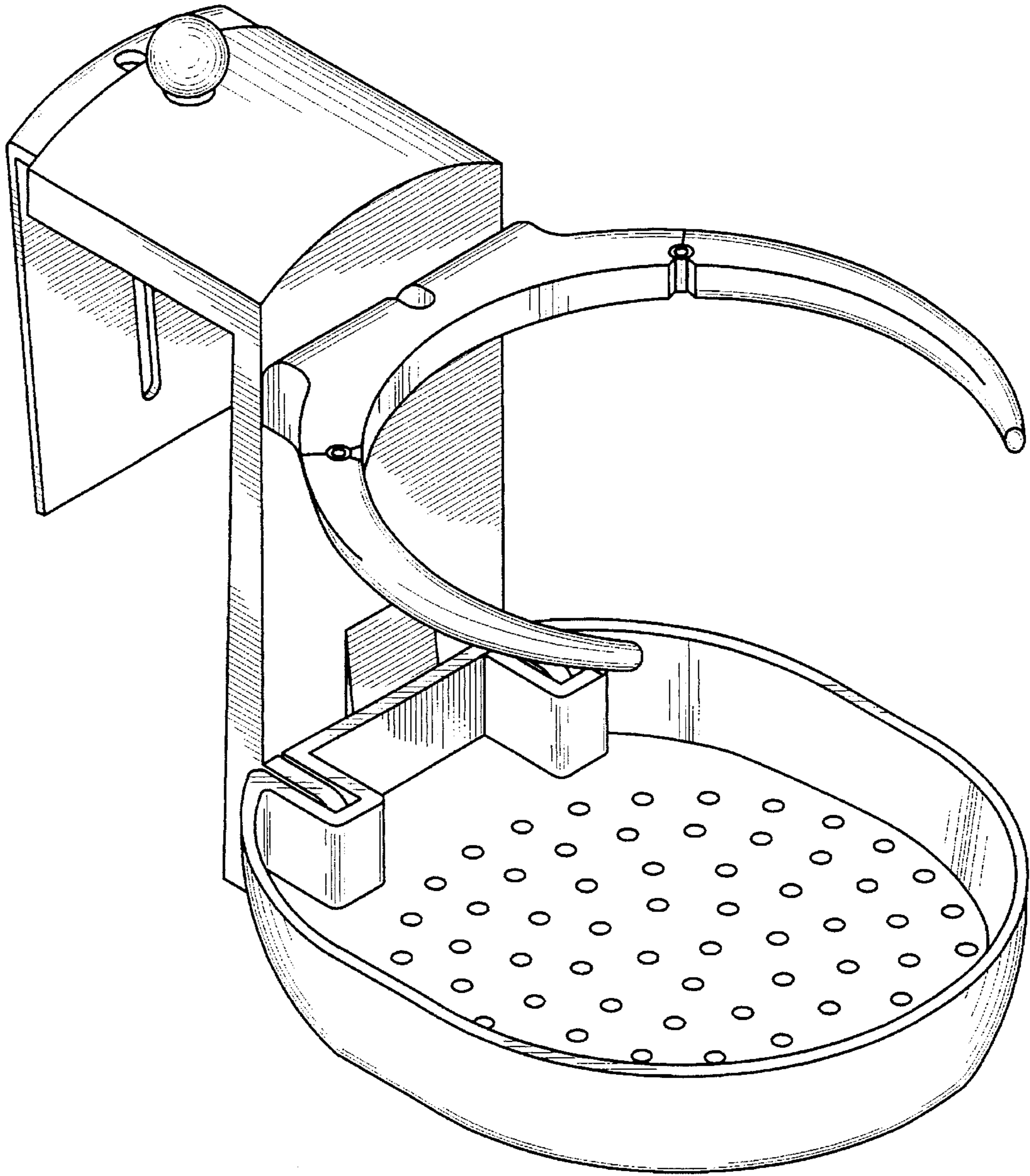
[56] **References Cited**

**U.S. PATENT DOCUMENTS**

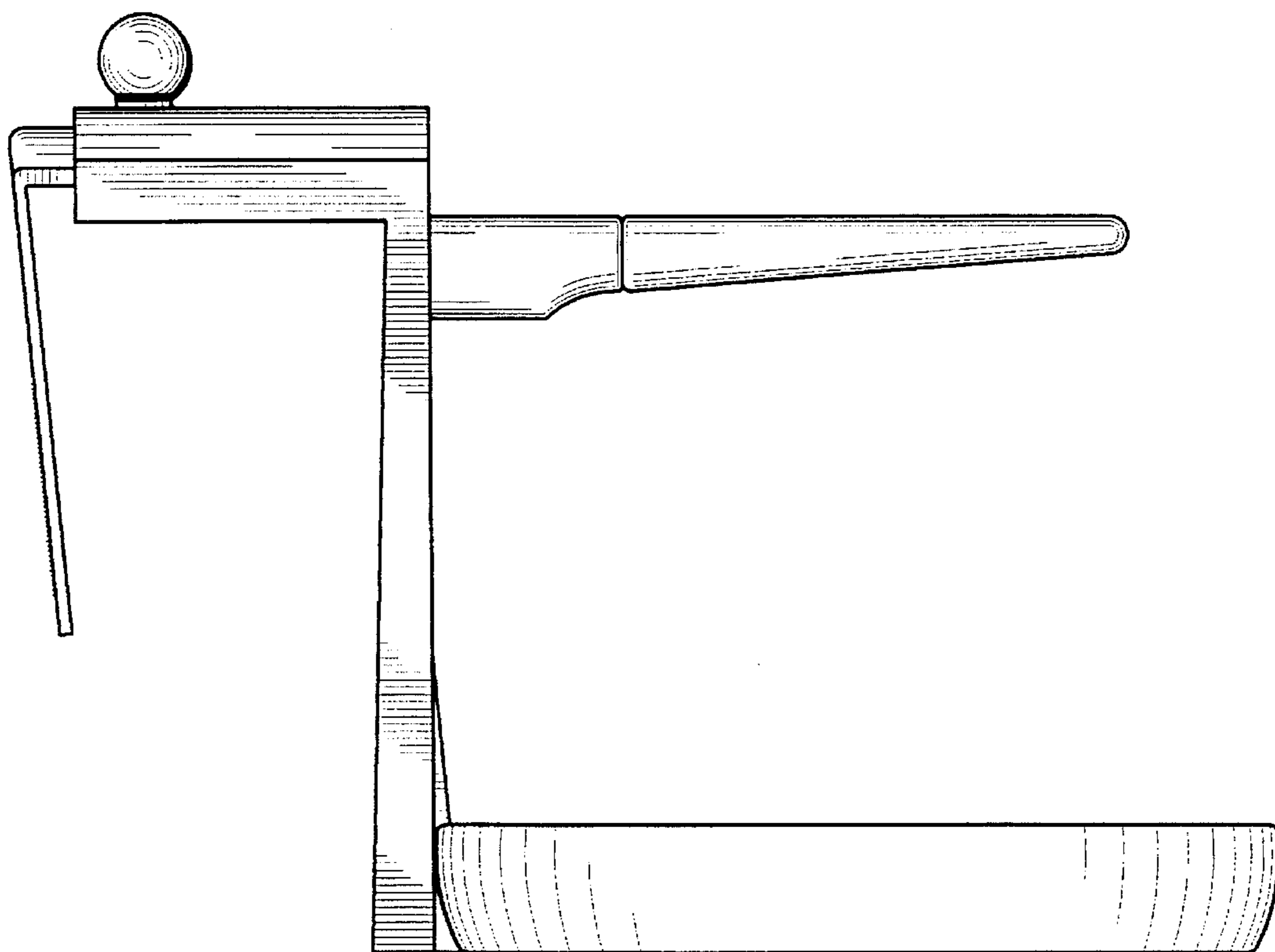
4,749,112 6/1988 Harper ..... D7/620 X

**1 Claim, 7 Drawing Sheets**

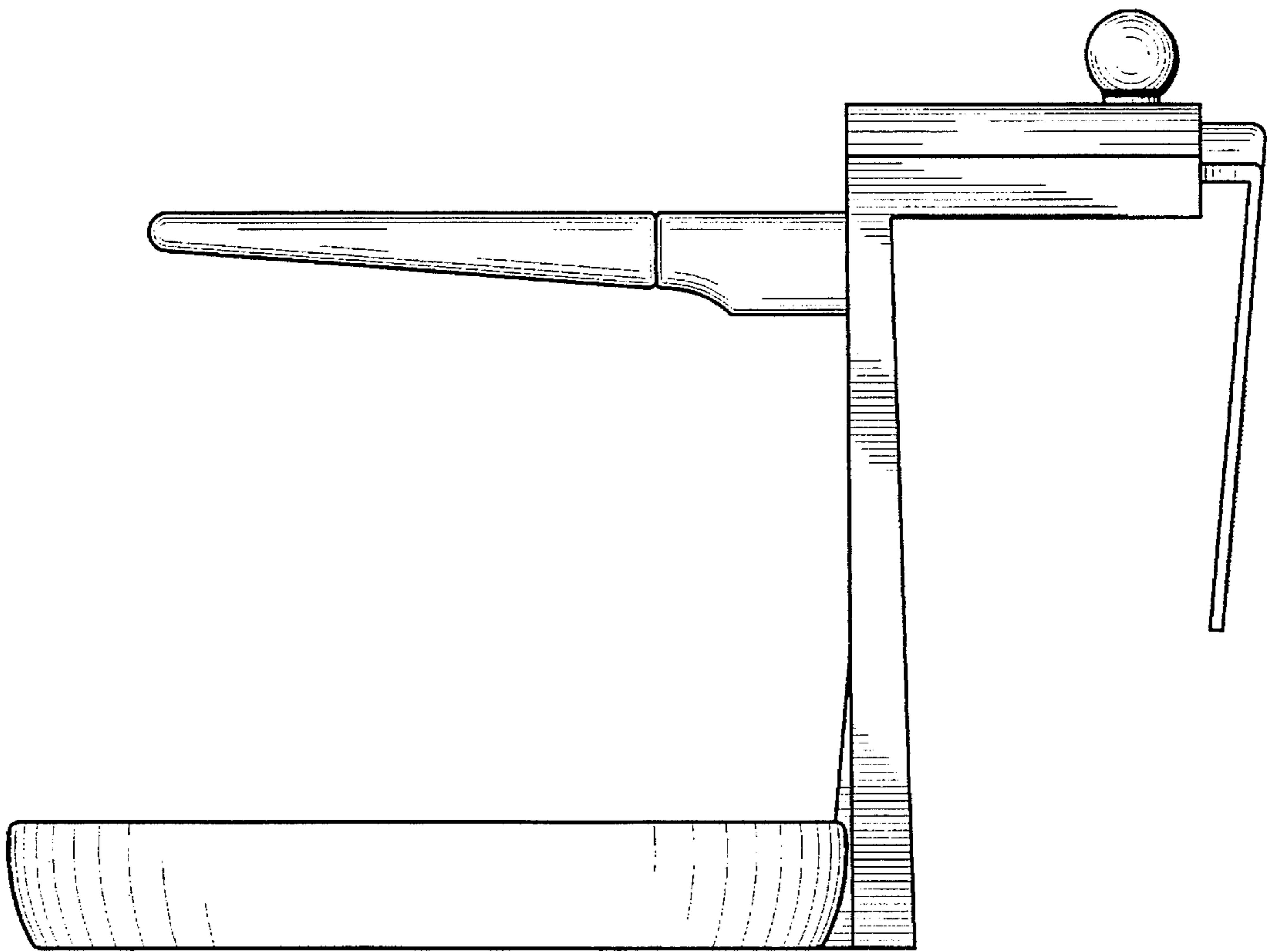




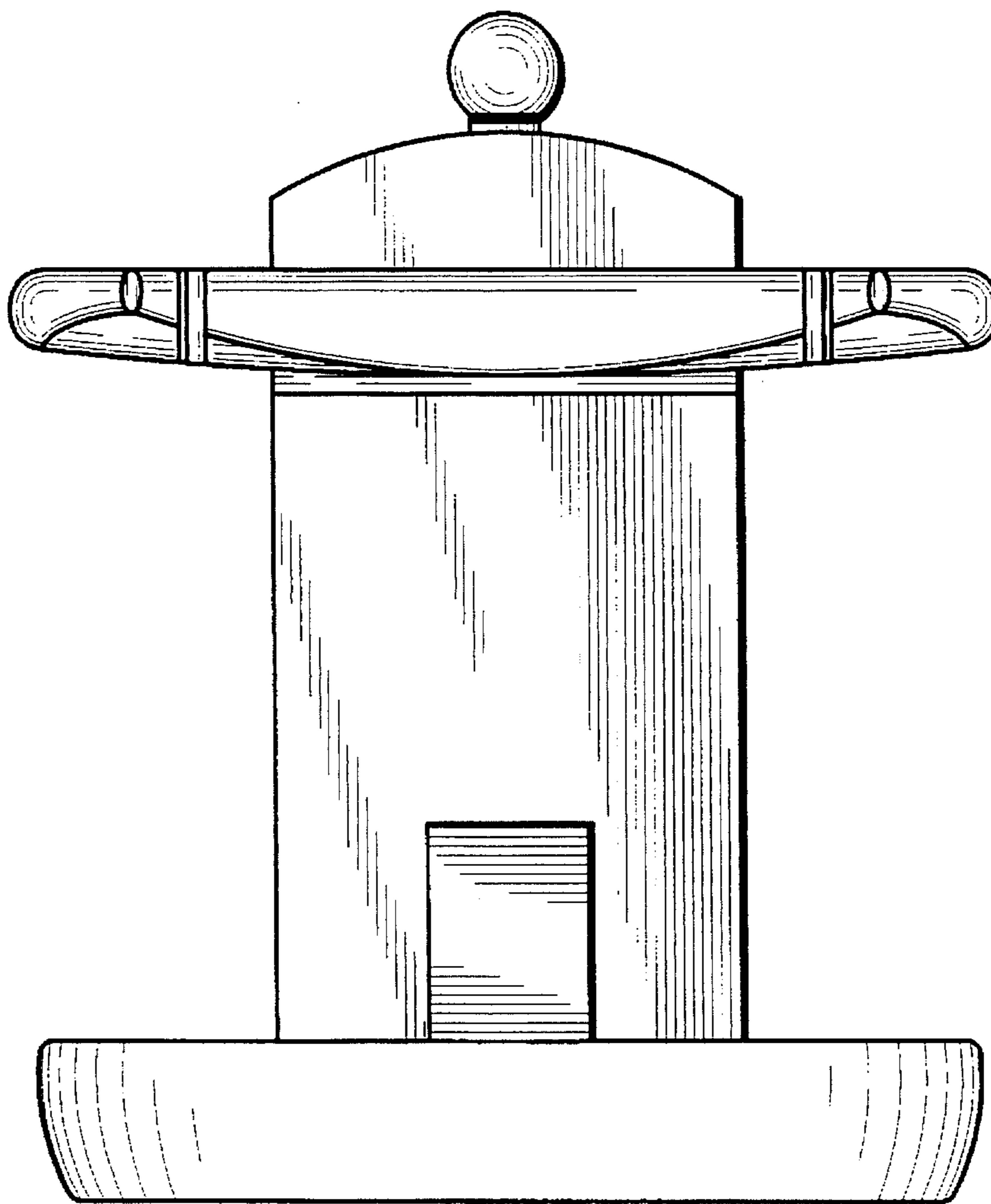
*Fig. 1*



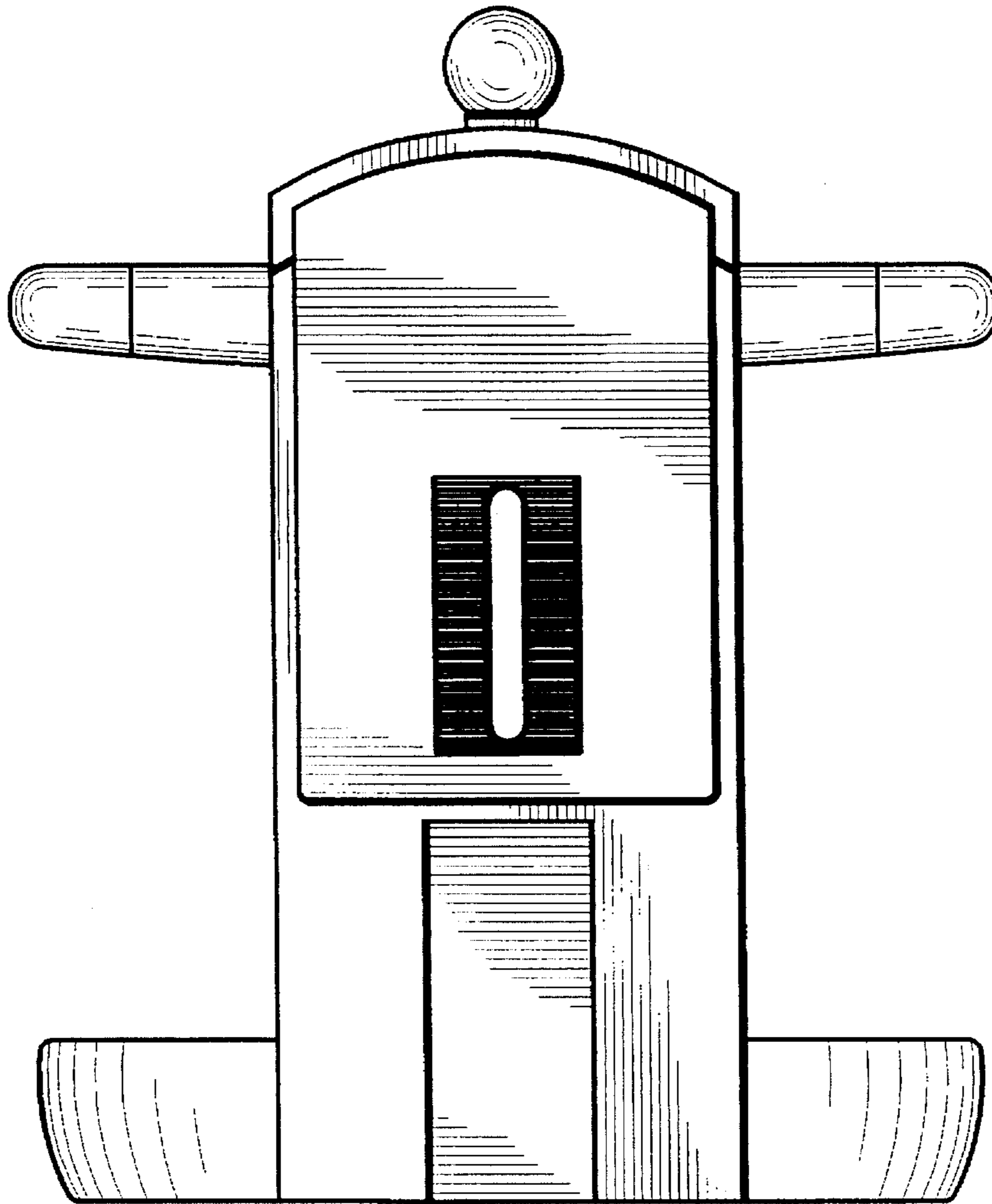
*Fig. 2*



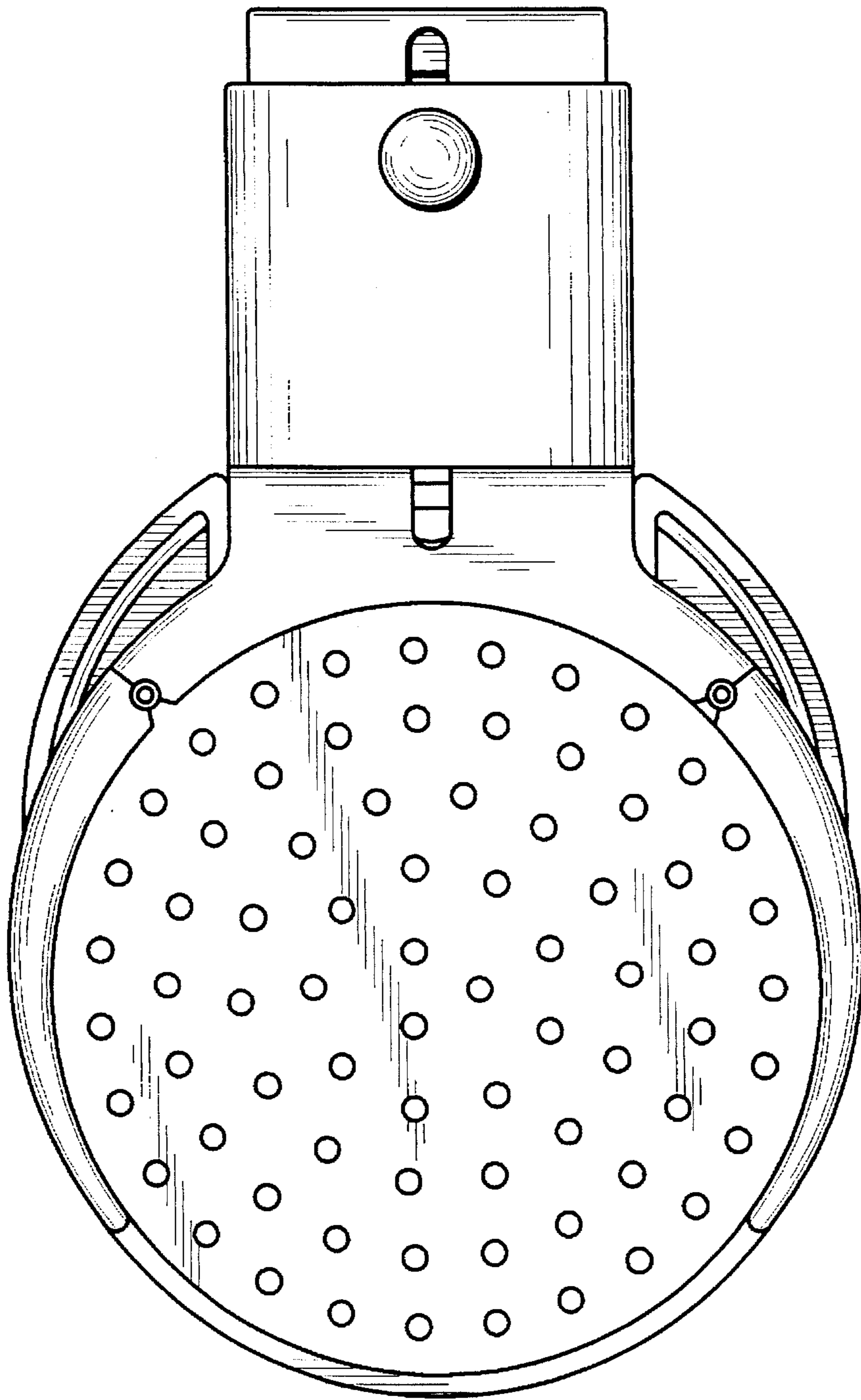
*Fig. 3*



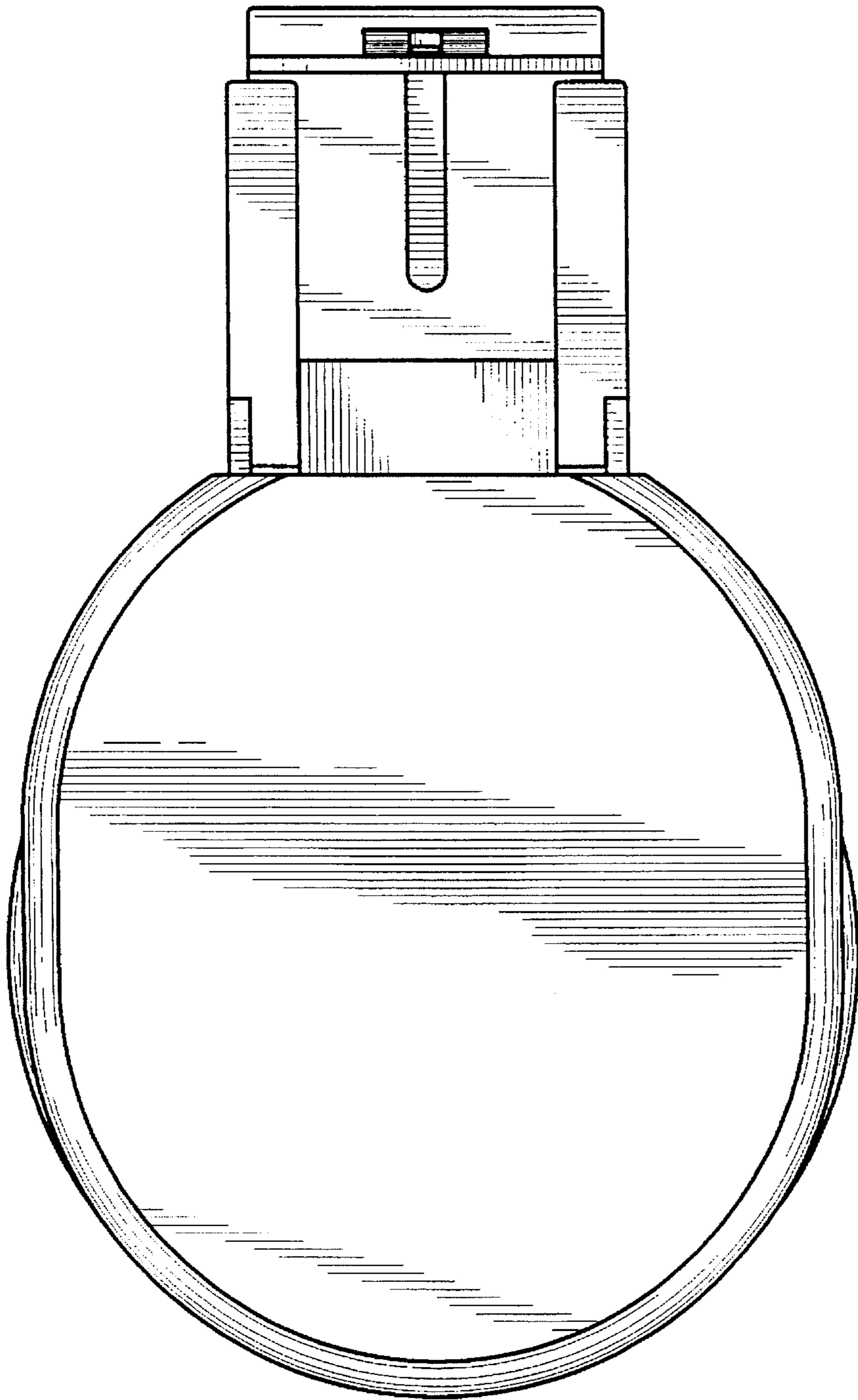
*Fig. 4*



*Fig. 5*



*Fig. 6*



*Fig. 7*