



US00D376068S

United States Patent [19] Coy

[11] Patent Number: **Des. 376,068**

[45] Date of Patent: ****Dec. 3, 1996**

[54] **COOLER TABLE TOP**

[76] Inventor: **Robert D. Coy**, 402 Olde Mill Lane,
Norcross, Ga. 30093

[**] Term: **14 Years**

[21] Appl. No.: **42,214**

[22] Filed: **Aug. 4, 1995**

[52] U.S. Cl. **D7/388; D7/605**

[58] Field of Search **D7/388, 605, 607,
D7/550, 553, 554, 698, 387; D9/435; 220/212;
D6/509**

[56] **References Cited**

U.S. PATENT DOCUMENTS

D. 39,803	2/1909	Seipp	D7/388
D. 232,798	9/1974	Roche	D7/605
D. 241,221	8/1976	Cormier	D7/605
D. 295,484	5/1988	Tarozzi et al.	D7/605 X
D. 296,066	6/1988	Tarozzi et al.	D7/605
D. 309,239	7/1990	Deines et al.	D7/605
D. 351,792	10/1994	Morris, Sr.	D9/435 X
D. 352,205	11/1994	Swetharantam	D7/554
D. 358,767	5/1995	Berggren	D9/435
4,889,257	12/1989	Steffes	220/212 X
4,974,426	12/1990	Gomez et al.	D7/605 X

OTHER PUBLICATIONS

Covey Cooler (top left) Good Housekeeping May 1975 p. 18.

"Sunpacker" Cooler by Thermos (S), Bell 1981, p. 341.

Primary Examiner—M. N. Pandozzi

Attorney, Agent, or Firm—Rodgers & Rodgers

[57] **CLAIM**

The ornamental design for a cooler table top, as shown and described.

DESCRIPTION

FIG. 1 is a perspective view of cooler table top showing my new design;

FIG. 2 is a top plan view thereof;

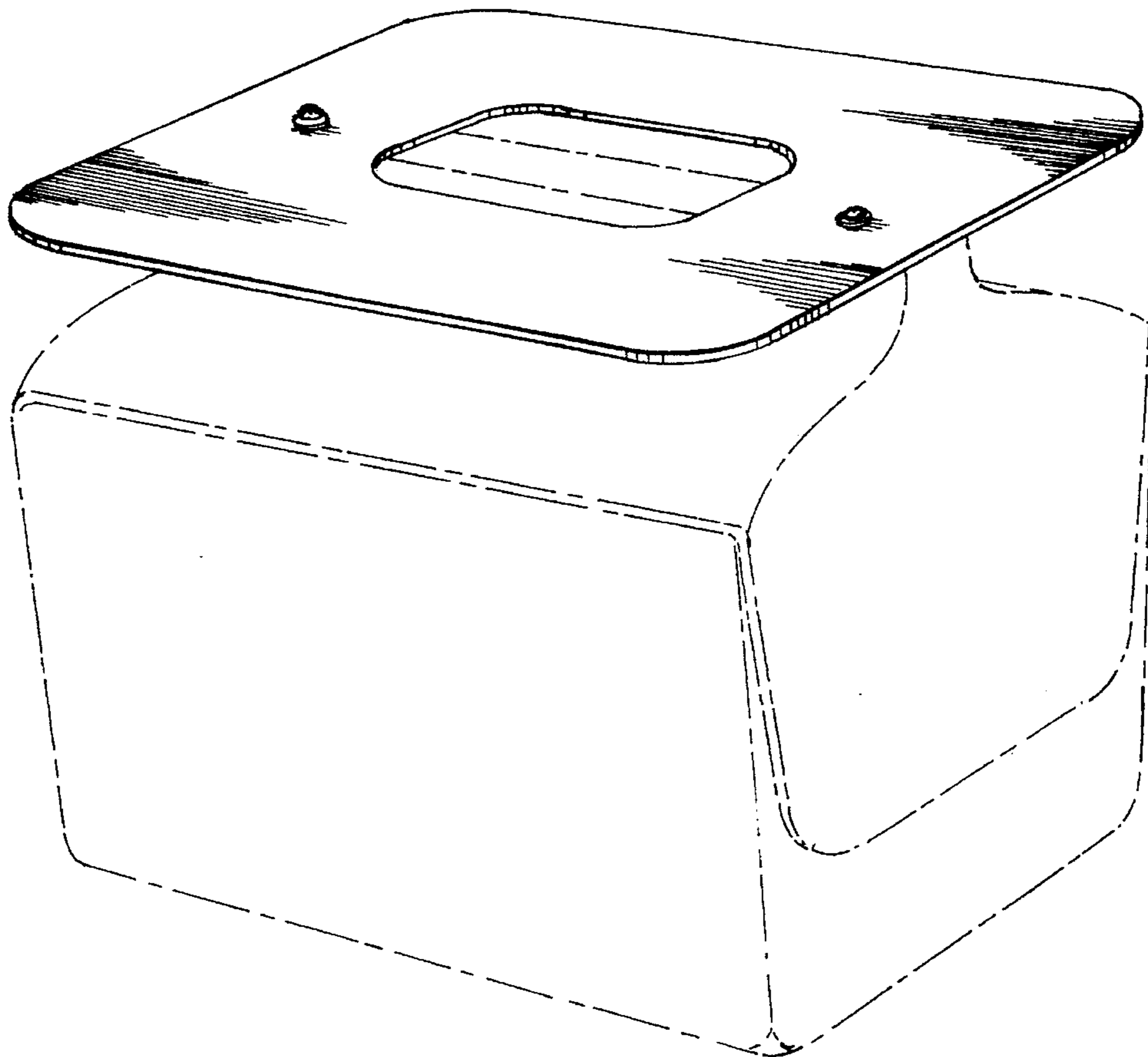
FIG. 3 is a side elevational view thereof, the opposite side being the same in appearance;

FIG. 4 is a bottom plan view thereof; and,

FIG. 5 is an end elevational view thereof, the opposite end being the same in appearance.

The broken line showing of a cooler in FIGS. 1-3 and 5 is for illustrative purposes only and forms no part of the claimed design.

1 Claim, 2 Drawing Sheets



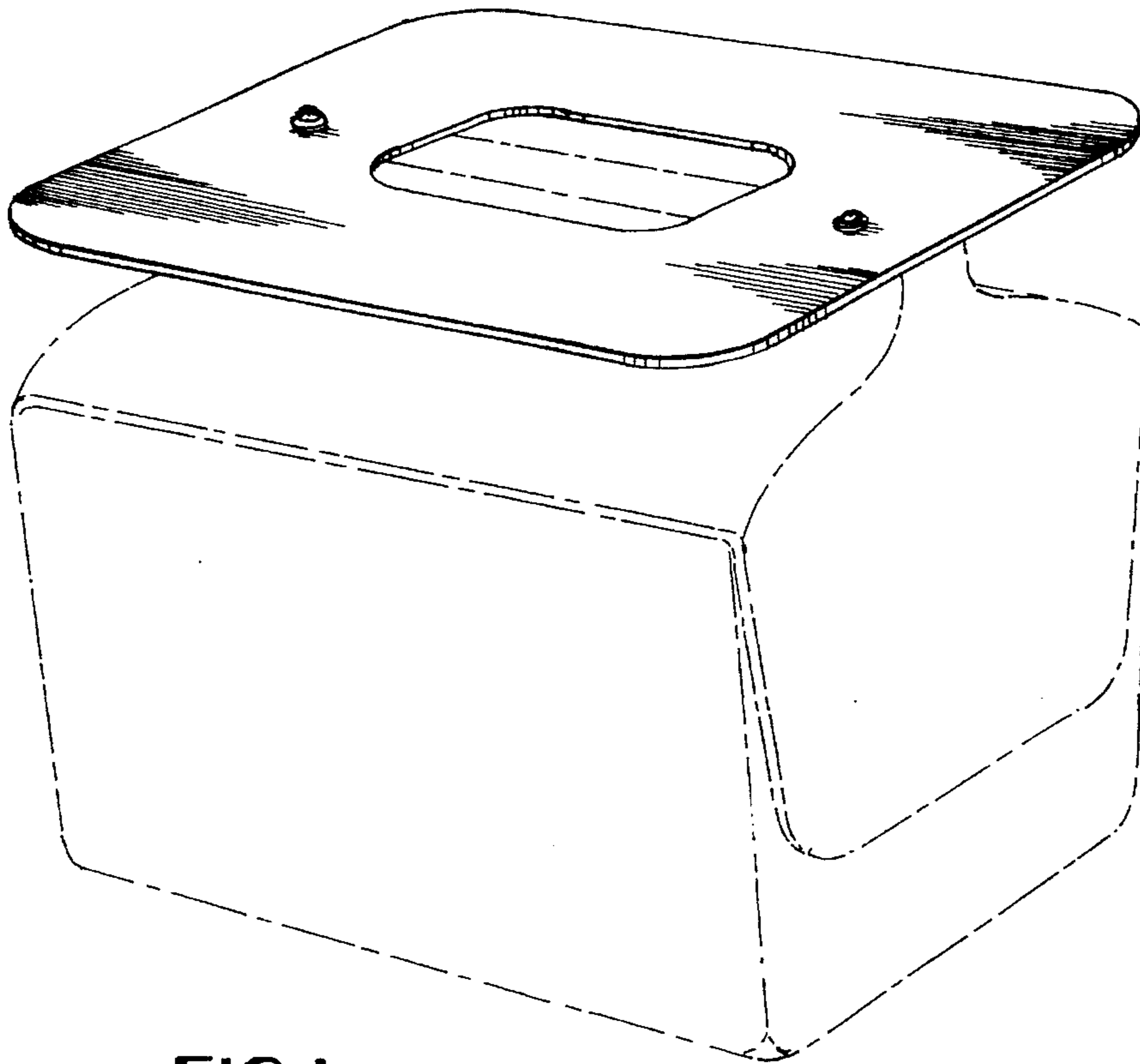


FIG. 1

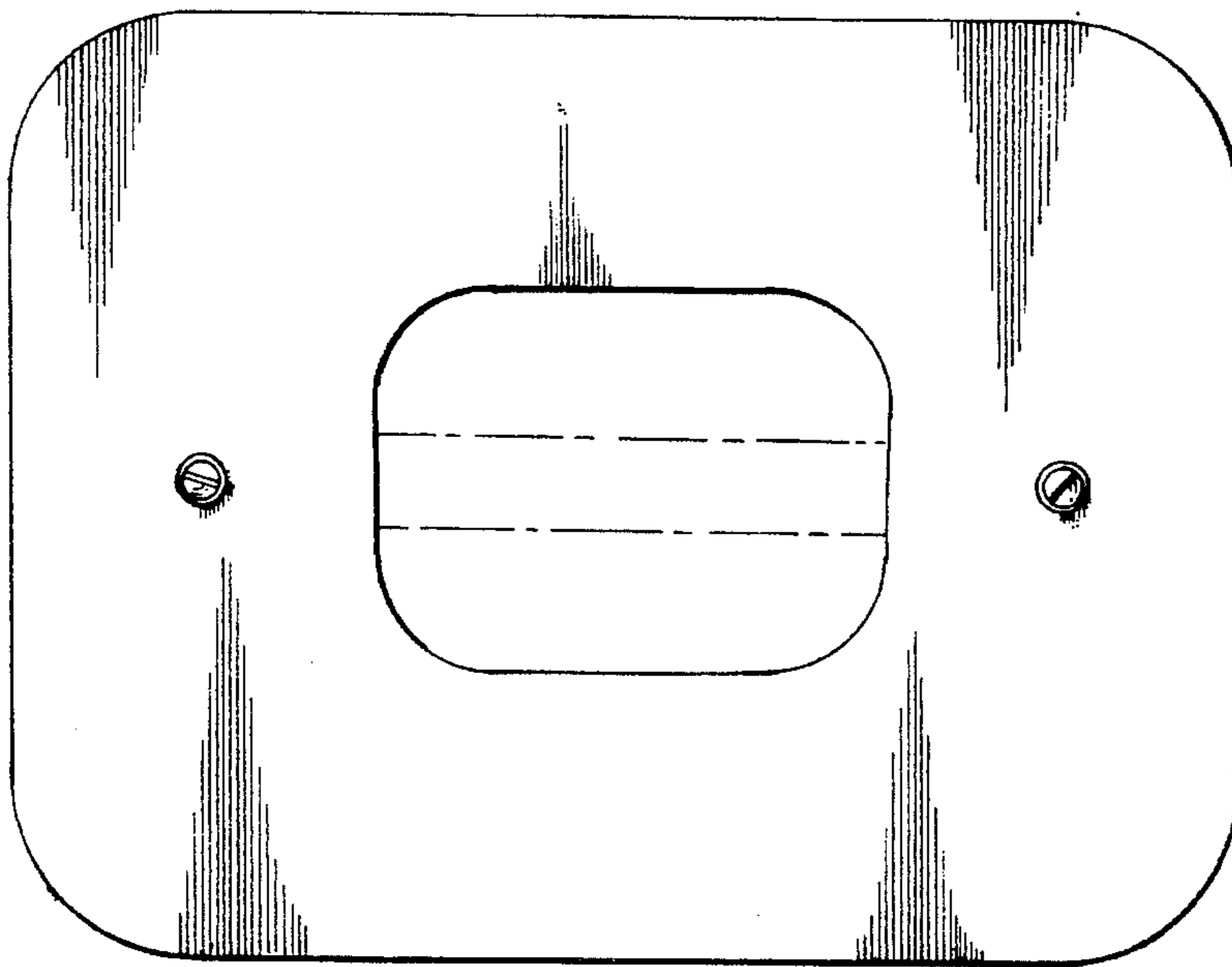


FIG. 2

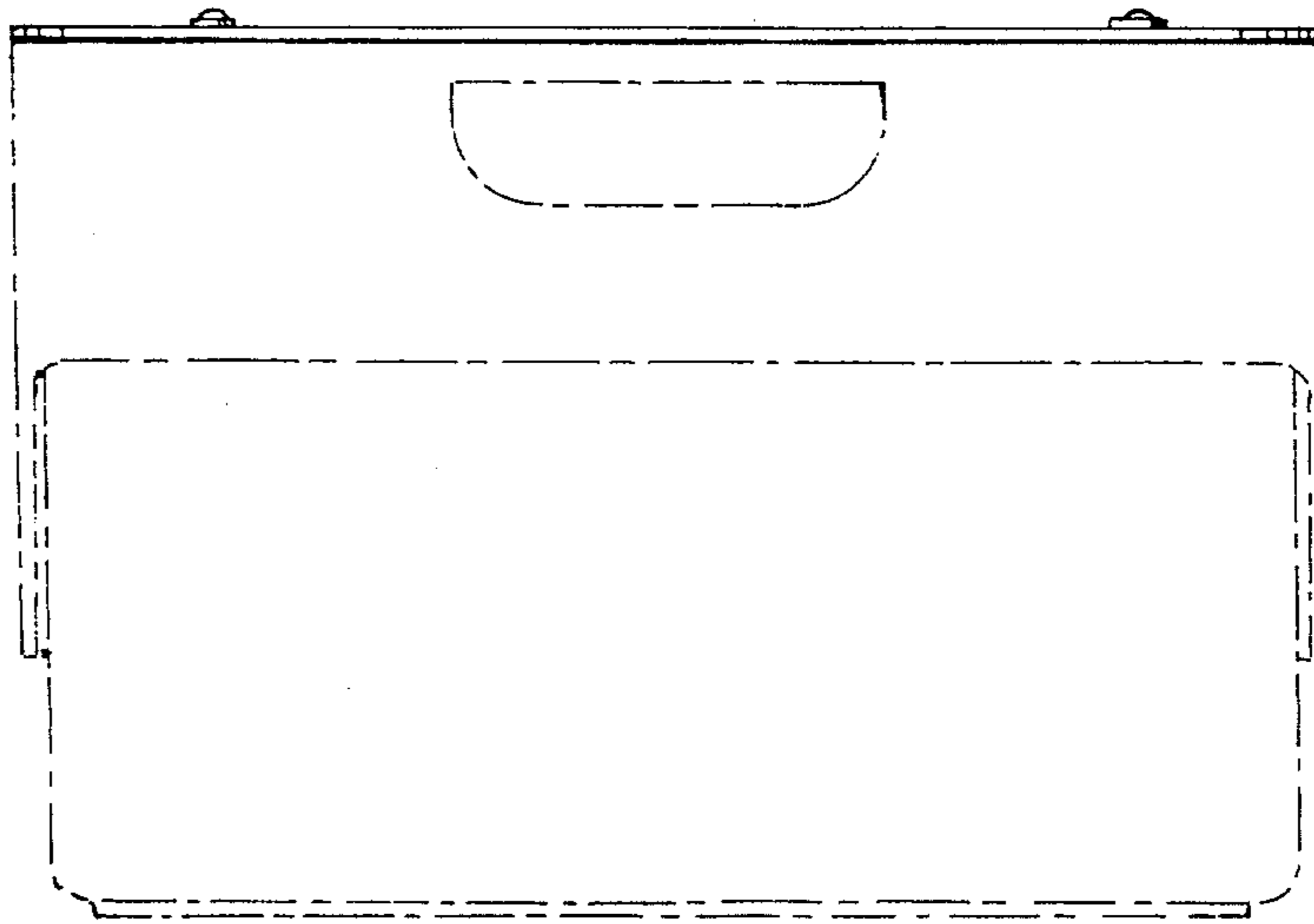


FIG. 3

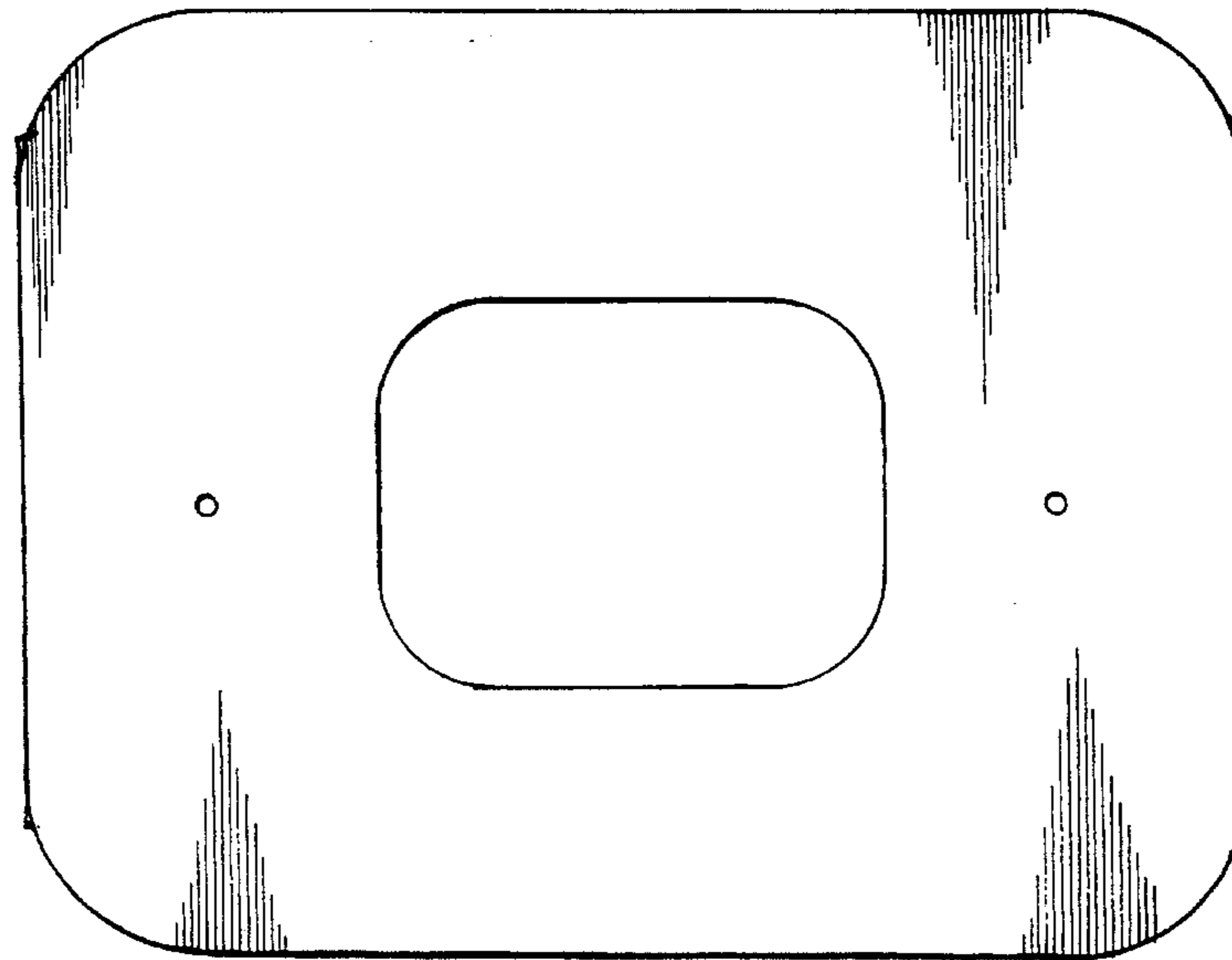


FIG. 4

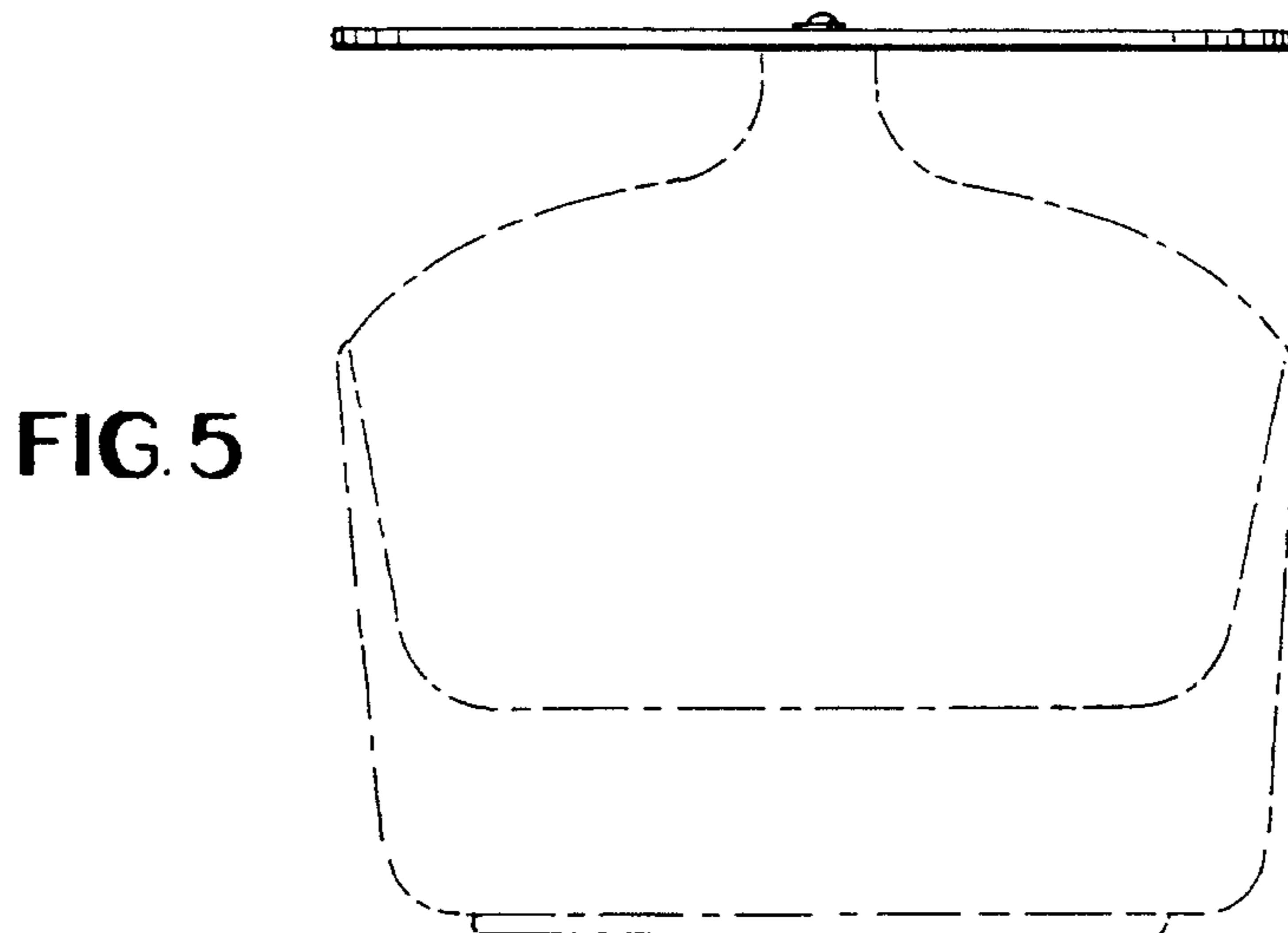


FIG. 5