



US00D376066S

United States Patent [19]

[11] Patent Number: **Des. 376,066**

Taniguchi et al.

[45] Date of Patent: ****Dec. 3, 1996**

[54] **CHINESE FOOD COOKING RANGE**

[75] Inventors: **Tatsuo Taniguchi**, Tokyo; **Masayuki Fujimori**, Kawasaki; **Yoshio Hayase**, Yokohama, all of Japan

[73] Assignee: **Tanico Corporation**, Tokyo, Japan

[**] Term: **14 Years**

[21] Appl. No.: **24,141**

[22] Filed: **Jun. 9, 1994**

[30] Foreign Application Priority Data

Dec. 28, 1993 [JP] Japan 5-39929

[52] U.S. Cl. **D7/339**; D7/346

[58] Field of Search D7/323, 339, 341, D7/346; 99/330, 339; 126/25 R, 25 A, 25 AA, 25 B, 29, 30, 27, 9 R, 38, 41 R

[56] References Cited

U.S. PATENT DOCUMENTS

D. 326,029	5/1992	Lok	D7/346
3,853,044	12/1974	Albright et al.	99/330
5,241,900	9/1993	Plane, Sr.	99/339 X

Primary Examiner—Nelson C. Holtje
Assistant Examiner—Caron D. Veynar
Attorney, Agent, or Firm—Keck, Mahin & Cate

[57] CLAIM

The ornamental design for a chinese food cooking range, as shown and described.

DESCRIPTION

FIG. 1 is a top perspective view of the chinese food cooking range showing our new design;
 FIG. 2 is a front elevational view thereof;
 FIG. 3 is a rear elevational view thereof;
 FIG. 4 is a top plan view thereof;
 FIG. 5 is a bottom plan view thereof;
 FIG. 6 is a right side elevational view thereof;
 FIG. 7 is a left side elevational view thereof;
 FIG. 8 is an enlarged view showing a portion of the range indicated by an arrow 8 in FIG. 4;
 FIG. 9 is an enlarged cross-sectional view taken along line 9—9 of FIG. 4 showing a burner portion; and,
 FIG. 10 is a partial cross-sectional view taken along line 10—10 of FIG. 2.

1 Claim, 6 Drawing Sheets

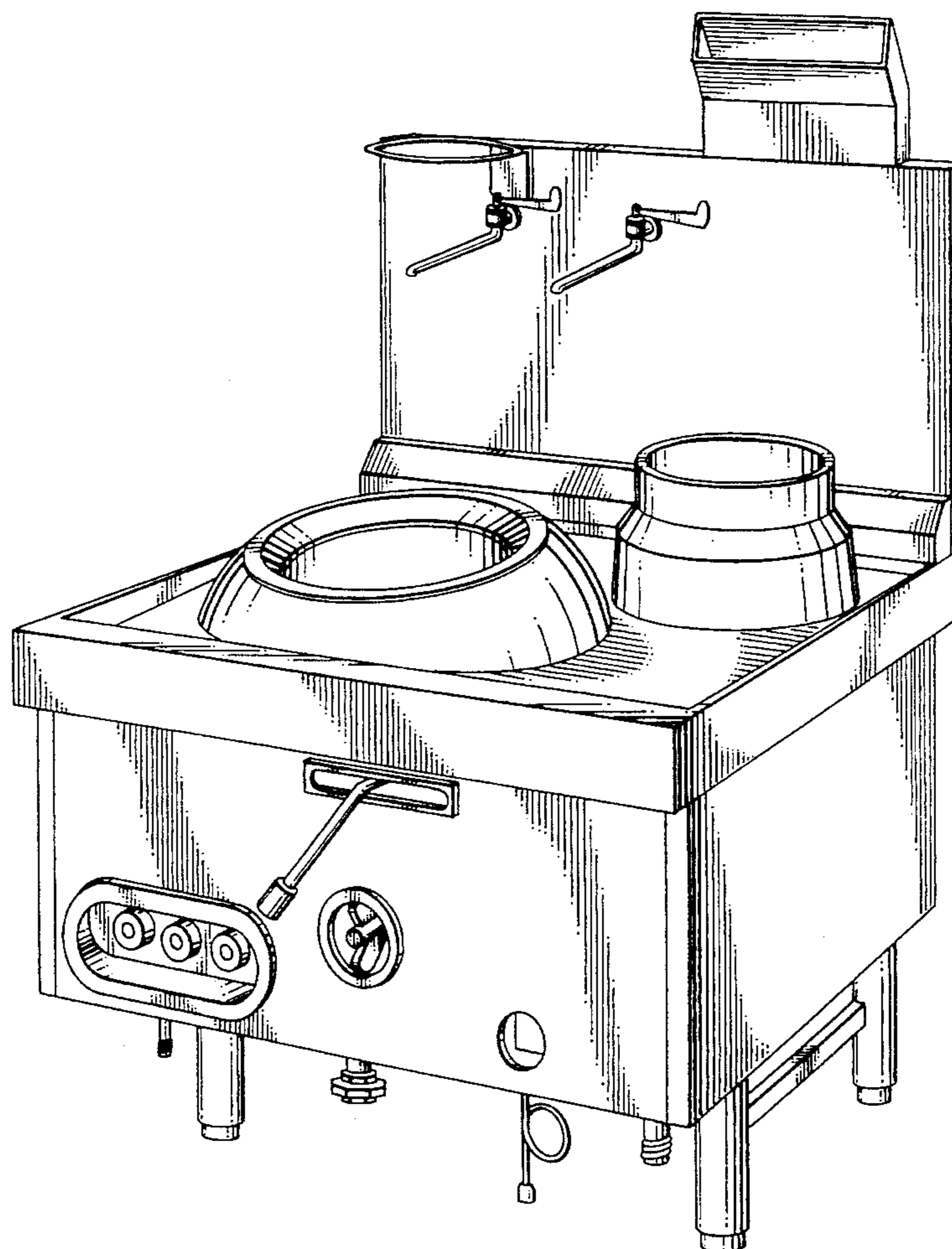


FIG. 1

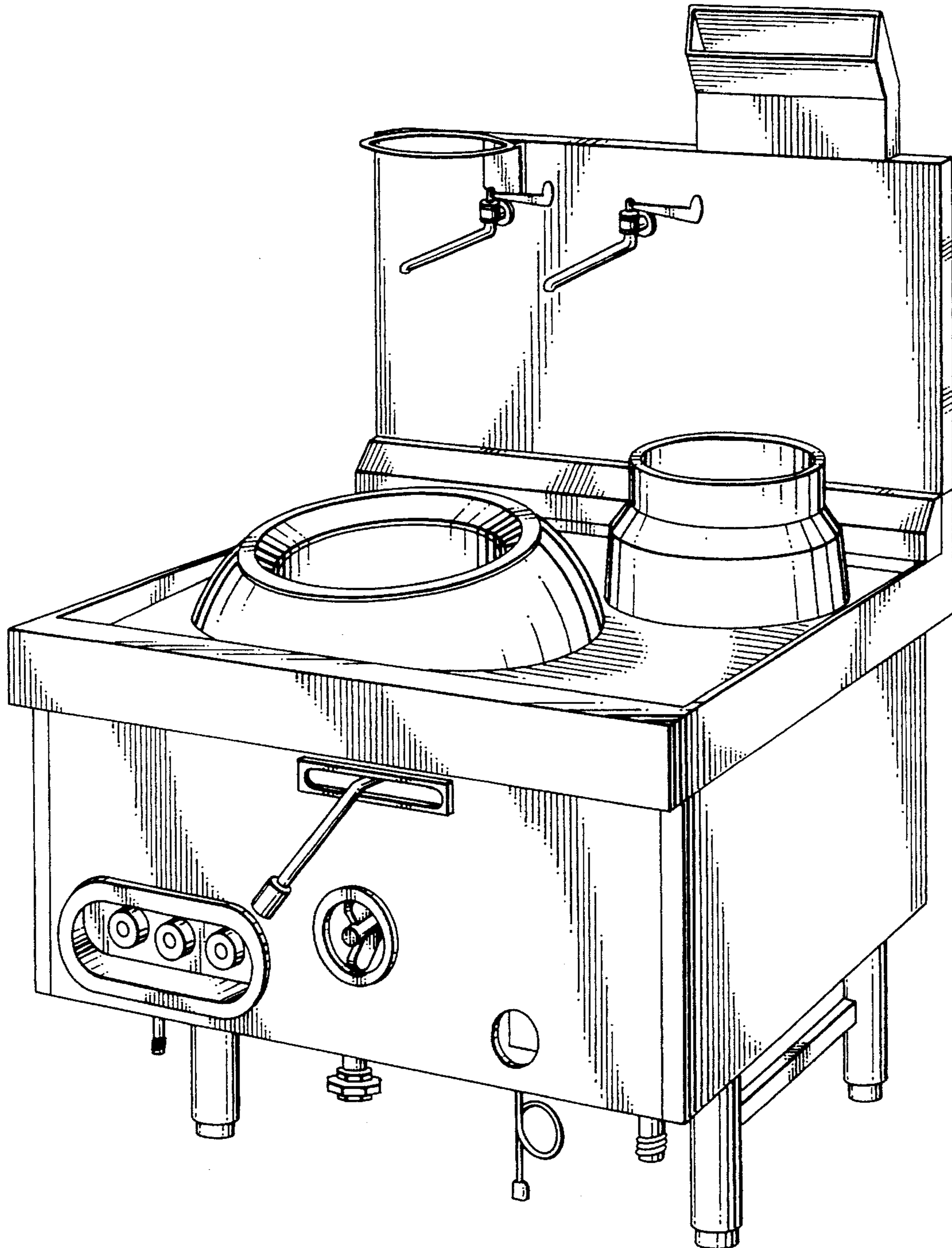


FIG. 2

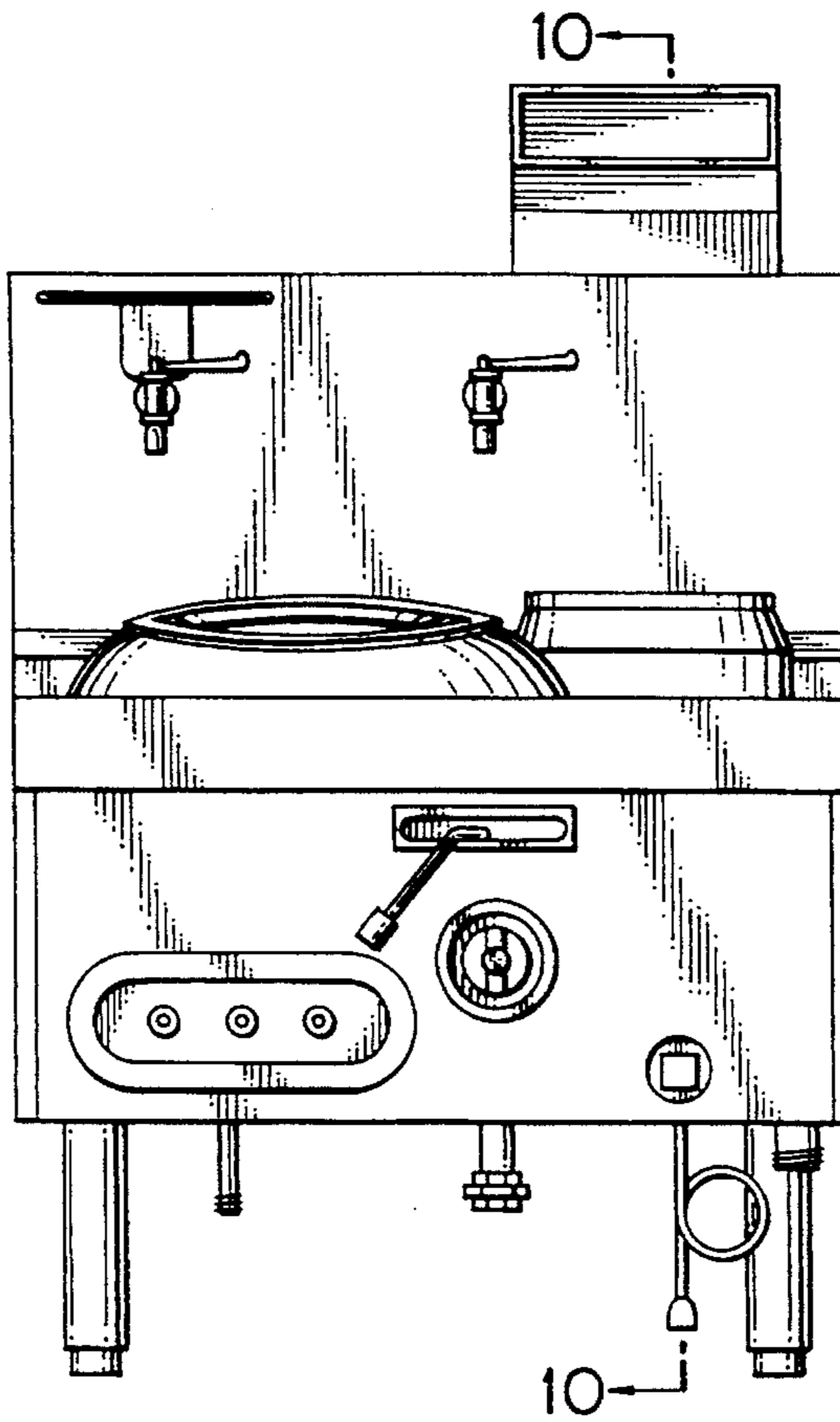


FIG. 3

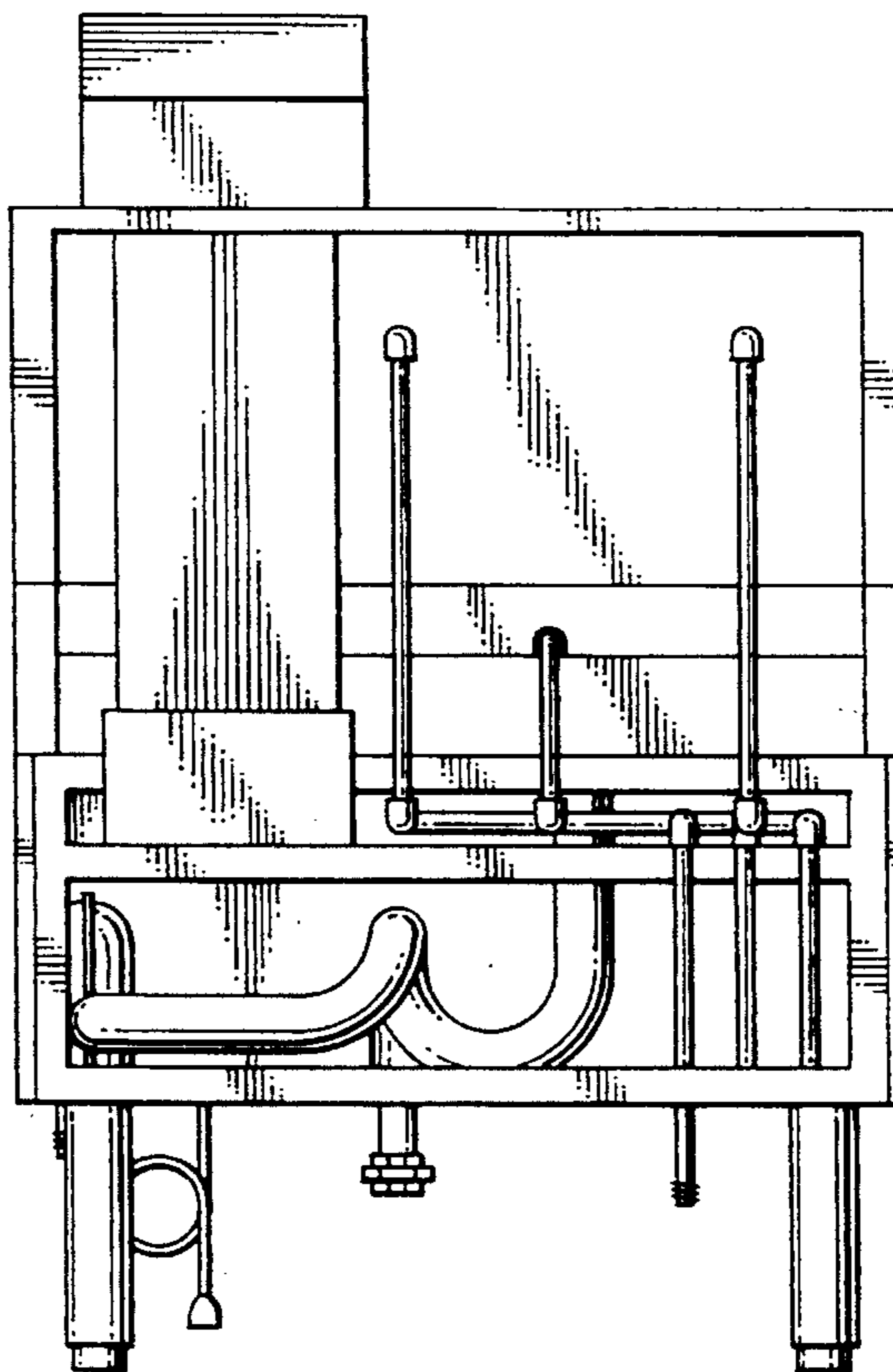


FIG. 4

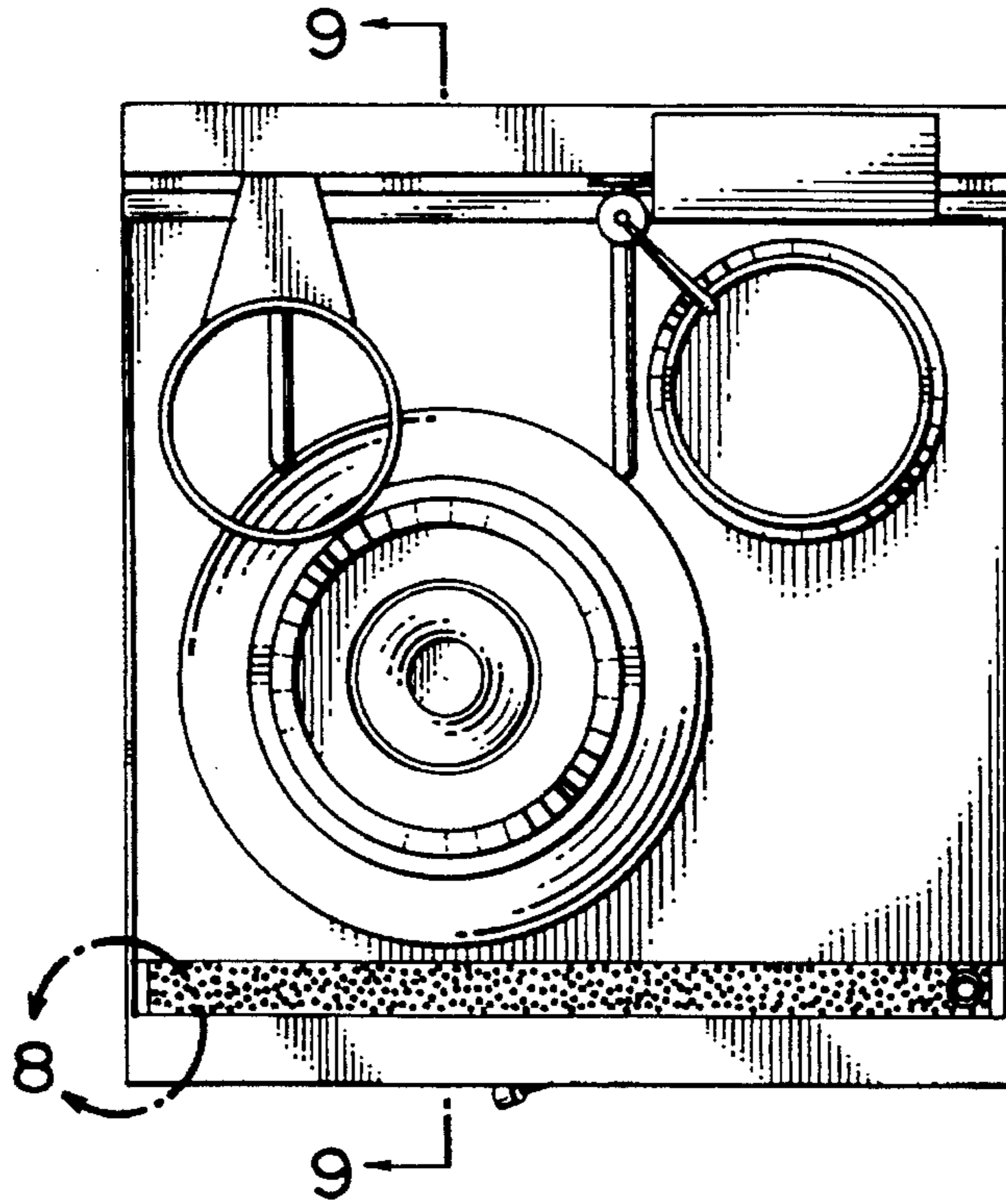


FIG. 5

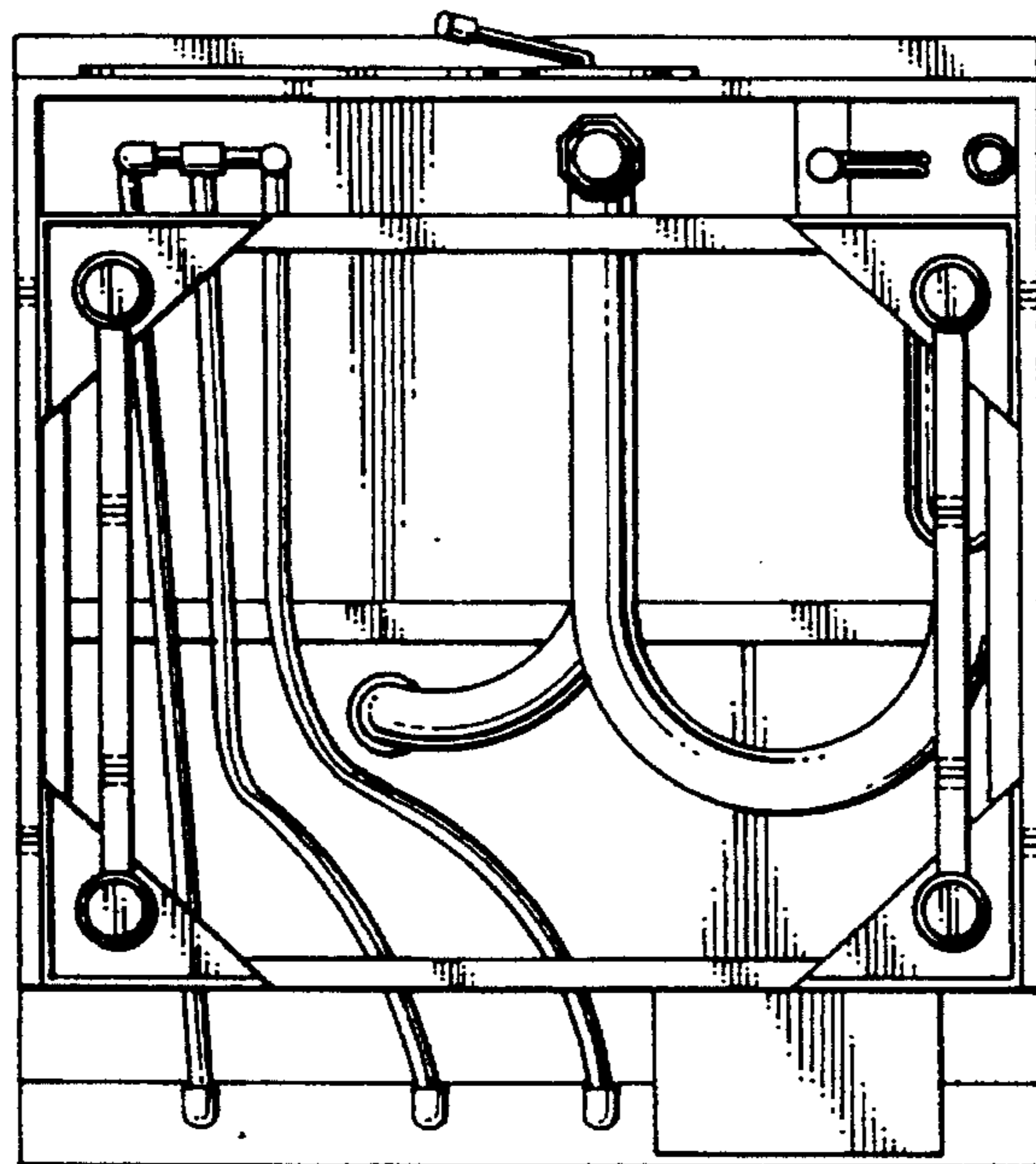


FIG. 6

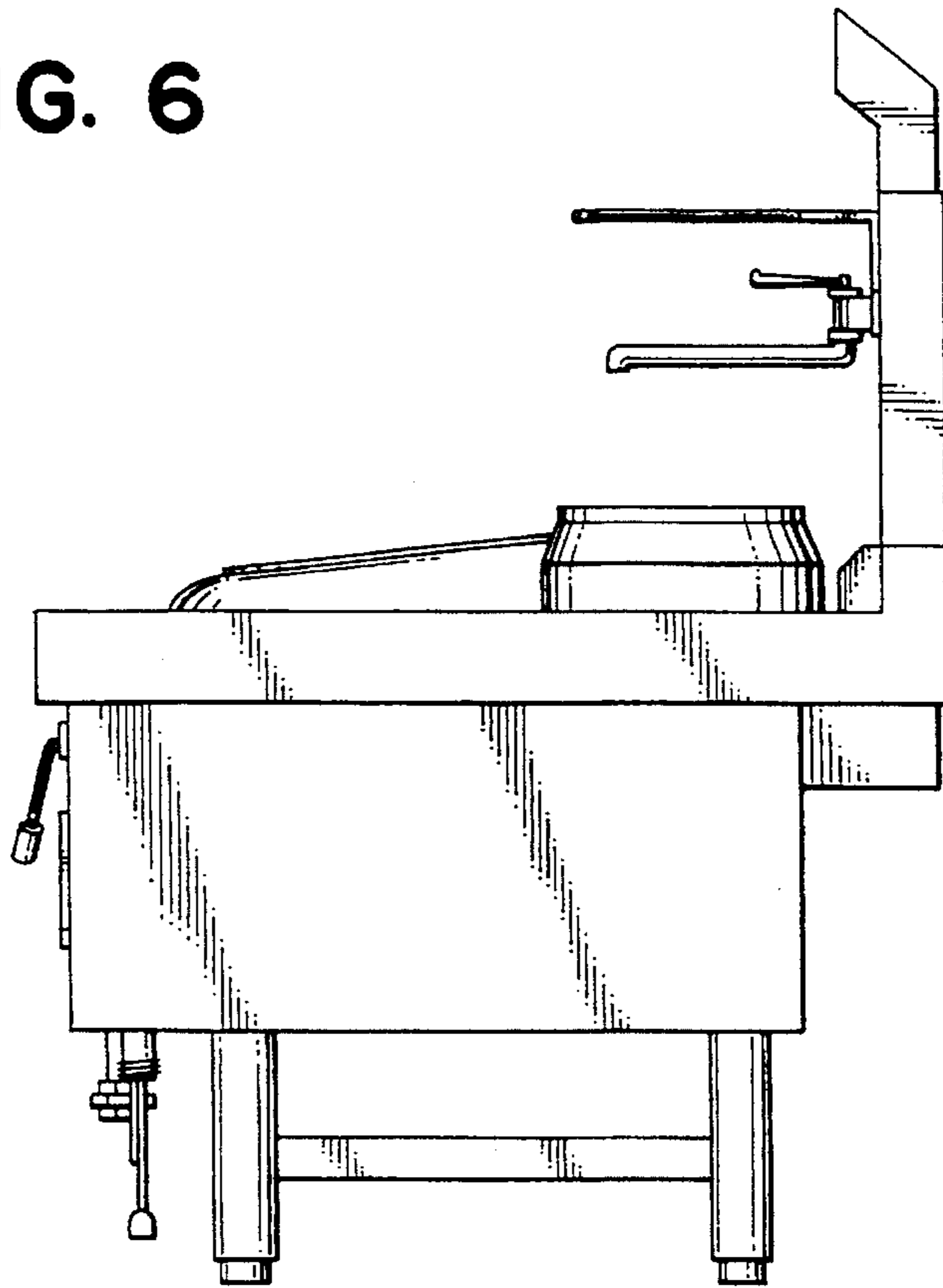


FIG. 8

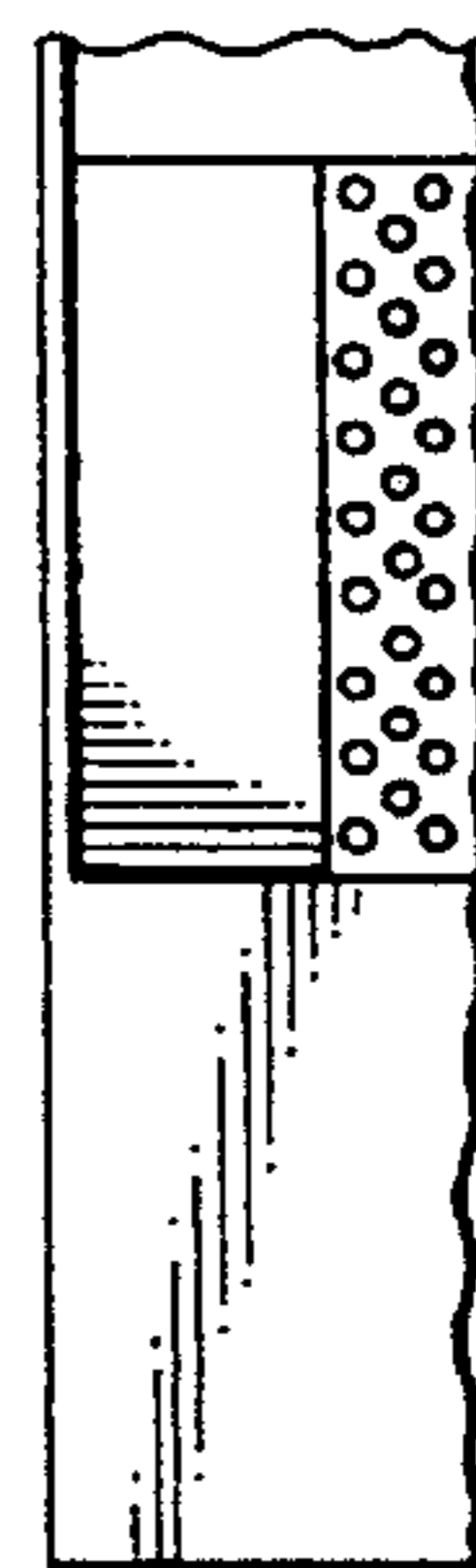


FIG. 7

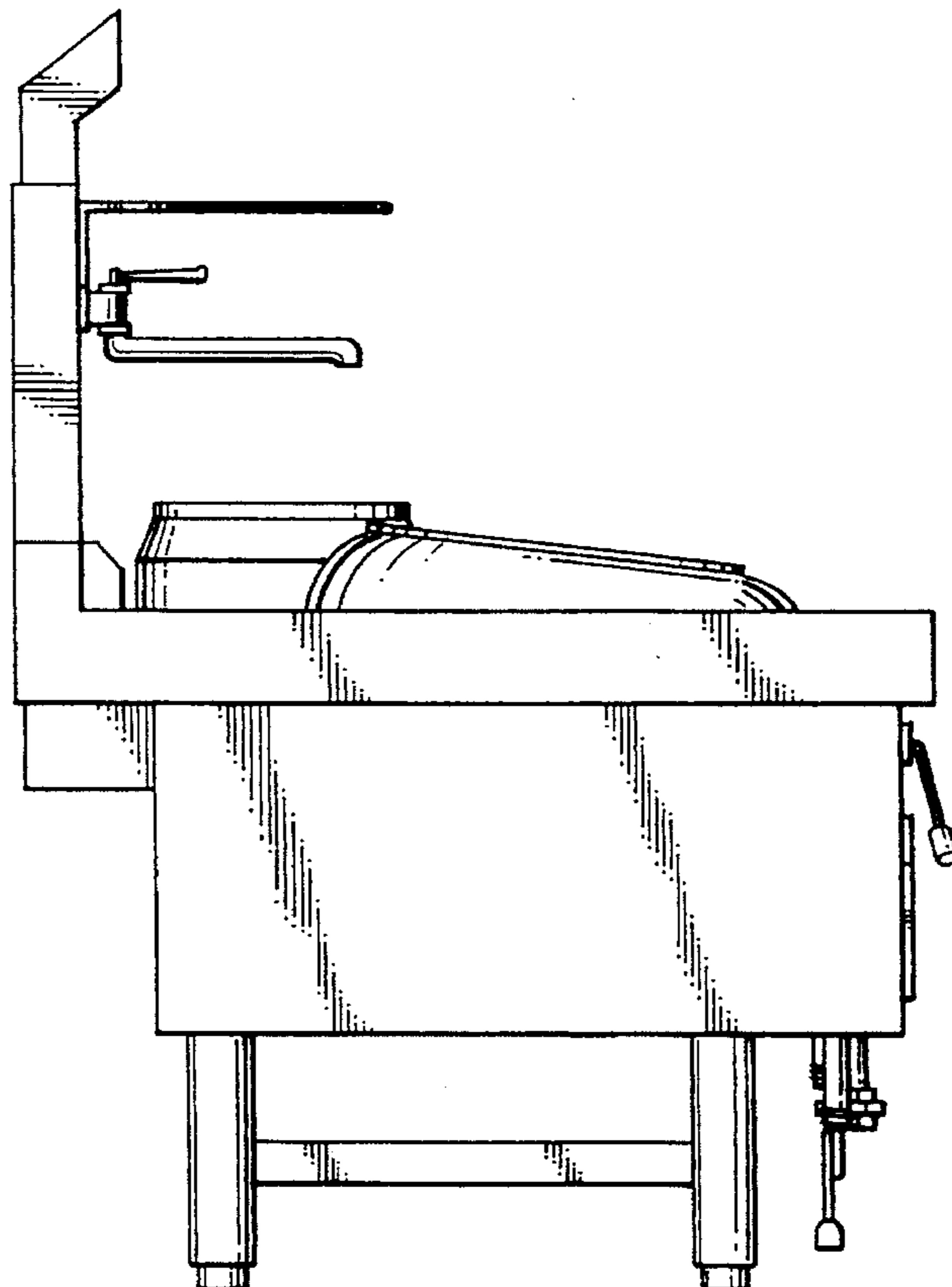


FIG. 9

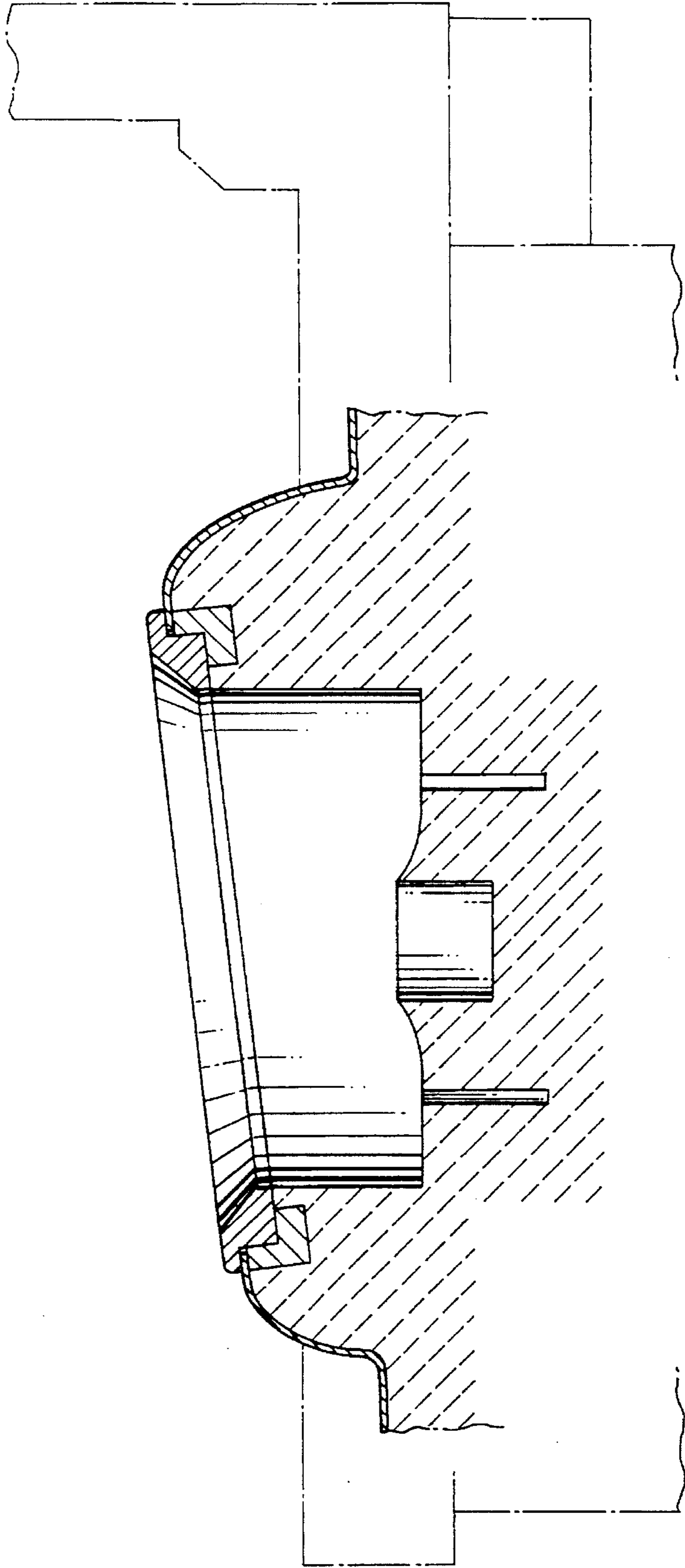


FIG. 10

