



US00D376065S

United States Patent [19]

[11] Patent Number: **Des. 376,065**

Ito et al.

[45] Date of Patent: ****Dec. 3, 1996**

[54] **COFFEE CONTAINER**

3,844,450 10/1974 Johnson D7/317 X
3,920,226 11/1975 Walt D7/312 X

[75] Inventors: **Seiichi Ito; Toru Goto; Yasuhiro Murakami**, all of Tokyo, Japan

OTHER PUBLICATIONS

[73] Assignee: **Nippon Sanso Corporation**, Tokyo, Japan

Pitcher Stile Industria #32 May 1961 p. 5 lower illustration.
Carafe HFD The Weekly Home Furnishings Newspaper p. 195 Nov. 4, 1985.

[**] Term: **14 Years**

Flask by Rio, Design 473, May 1988 p. 22.

[21] Appl. No.: **44,223**

Clean Water Maker by Donvier, HFD, Aug. 22, 1988 p. 54.

[22] Filed: **Sep. 20, 1995**

Primary Examiner—M. N. Pandozzi

Attorney, Agent, or Firm—Lowe, Price, LeBlanc & Becker

[30] **Foreign Application Priority Data**

[57] **CLAIM**

Jun. 22, 1995 [JP] Japan 7-17896

The ornamental design for a coffee container, as shown and described.

[52] **U.S. Cl.** **D7/319; D7/318; D7/317**

[58] **Field of Search** D7/319, 300, 318, D7/320, 317, 316, 312, 321, 605, 602, 619, 620, 598; 222/465.1, 475

DESCRIPTION

[56] **References Cited**

FIG. 1 is a perspective view of a coffee container showing our new design;

FIG. 2 is a front elevational view thereof, the rear elevational view being a mirror image thereof;

FIG. 3 is a left side elevational view thereof;

FIG. 4 is a right side elevational view thereof;

FIG. 5 is a top plan view thereof;

FIG. 6 is a bottom plan view thereof; and,

FIG. 7 is an exploded perspective view of the coffee maker showing an interior perspective view thereof.

U.S. PATENT DOCUMENTS

- D. 178,521 8/1956 Keefe, Jr. D7/317
- D. 220,773 5/1971 Dilyard D7/317
- D. 263,783 4/1982 Okazaki et al. D7/317
- D. 283,584 4/1986 Morin D7/317
- D. 344,428 2/1994 Ancona et al. D7/317 X
- D. 351,757 10/1994 Esslinger D7/318
- D. 351,964 11/1994 Zivin D7/318 X
- D. 356,004 3/1995 Van Valkenburg et al. D7/316 X

1 Claim, 5 Drawing Sheets

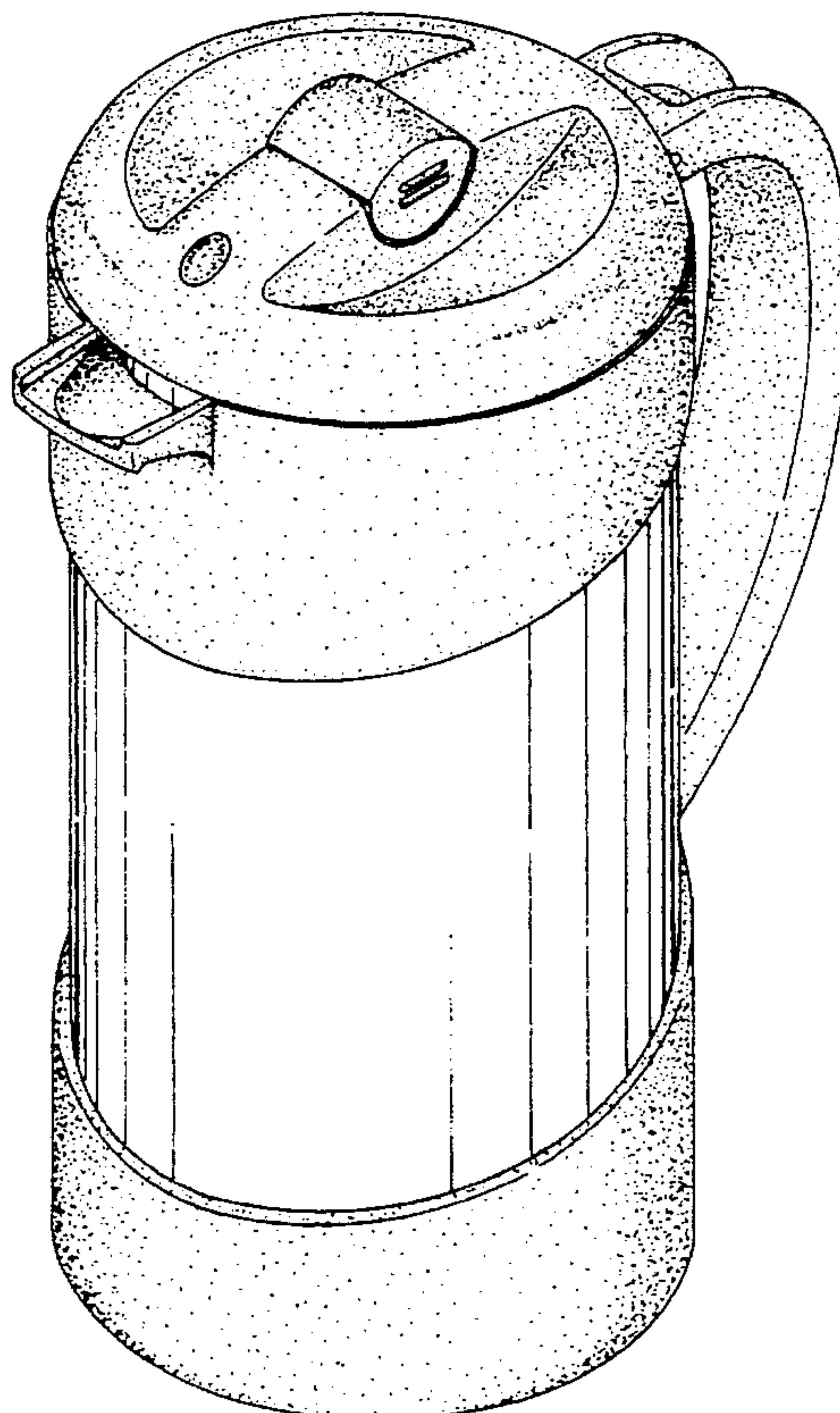


FIG. 1

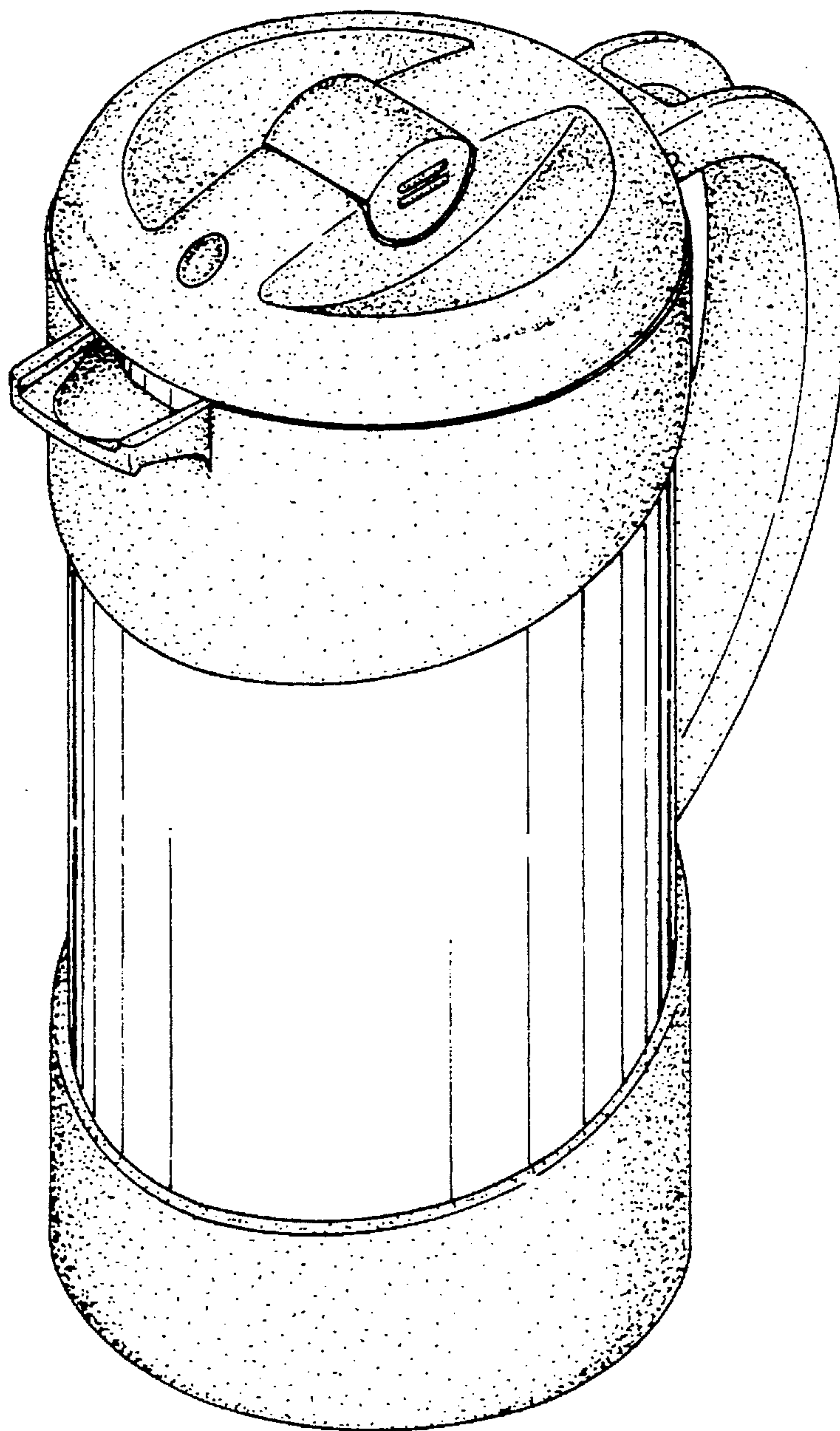


FIG. 2

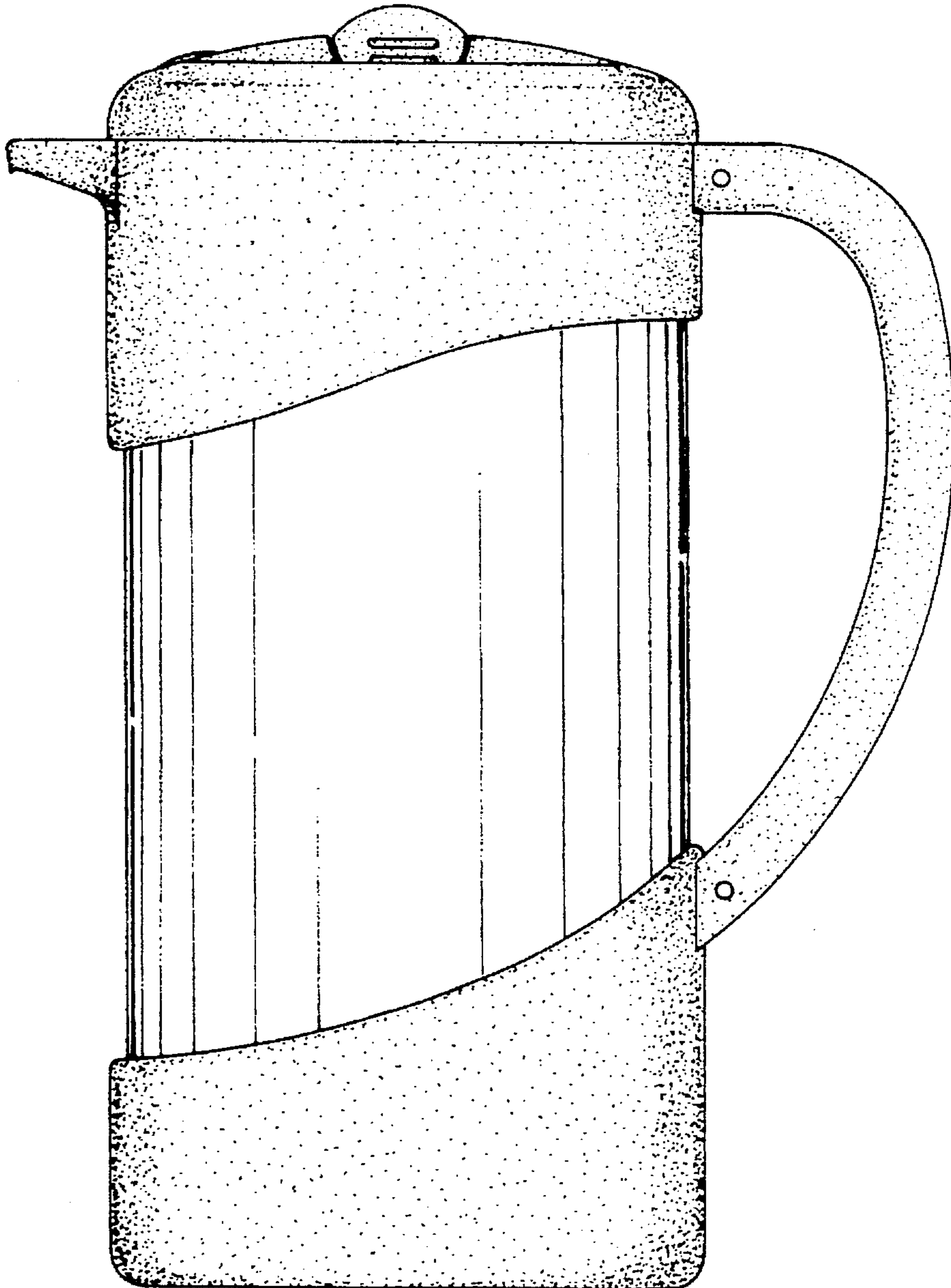


FIG. 3

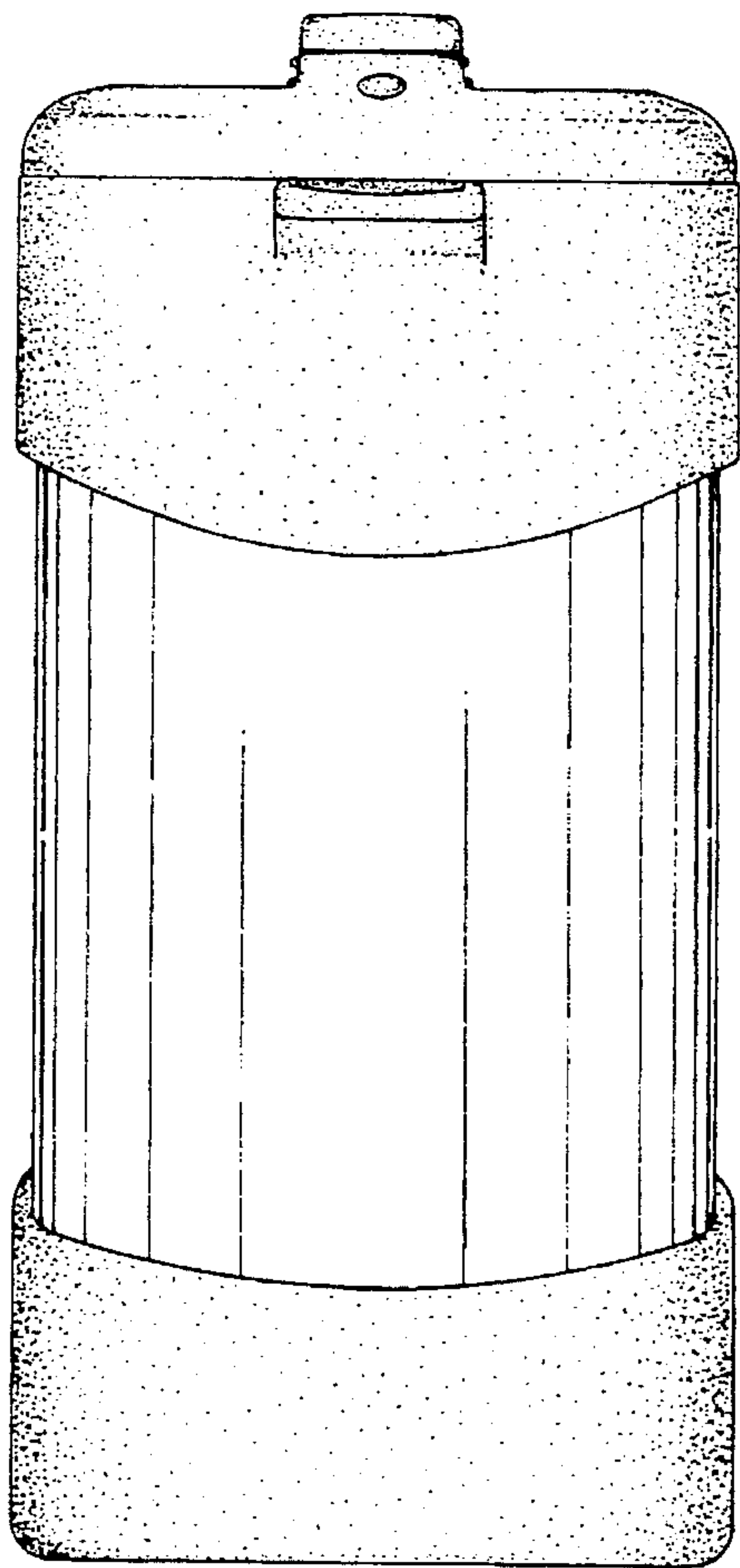


FIG. 4

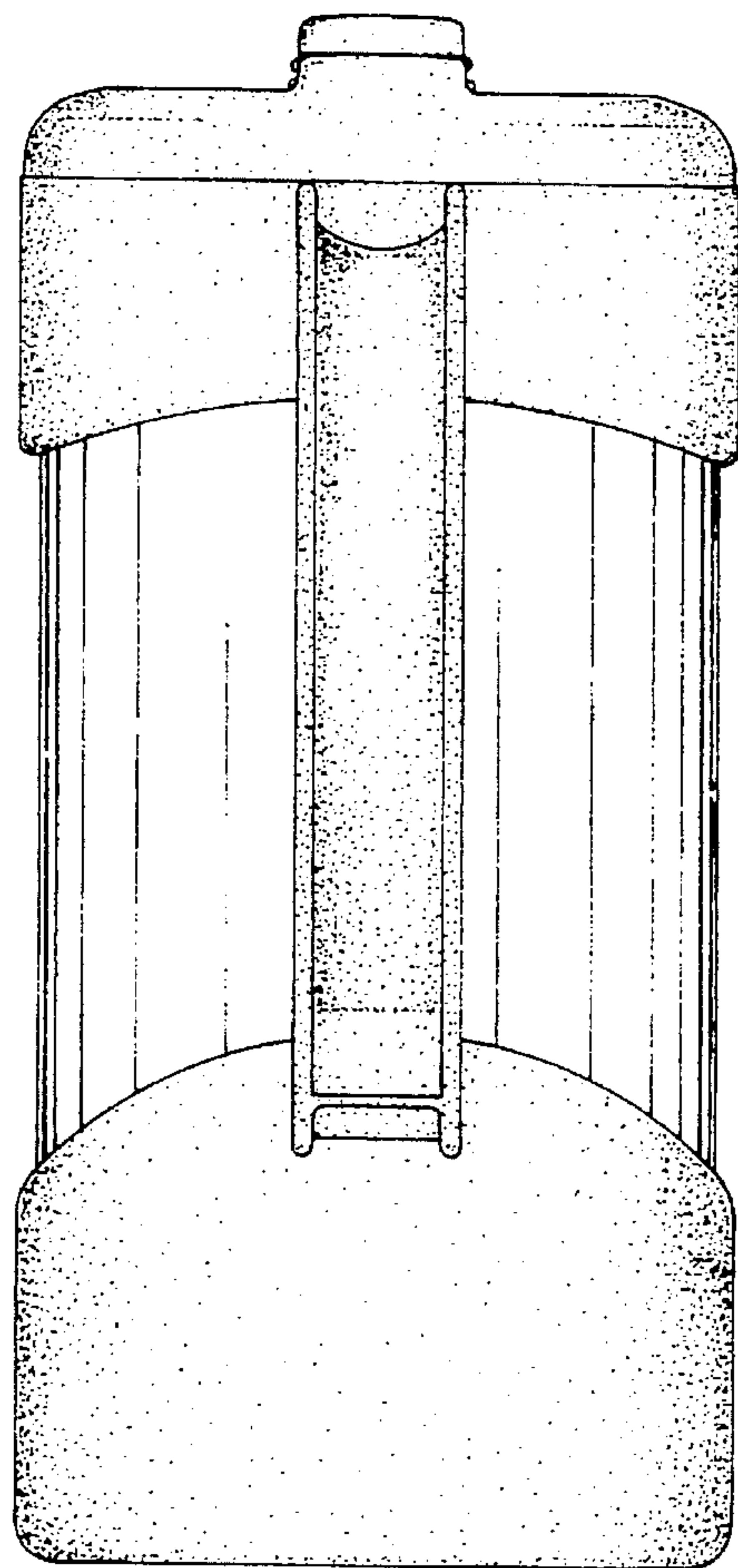


FIG. 5

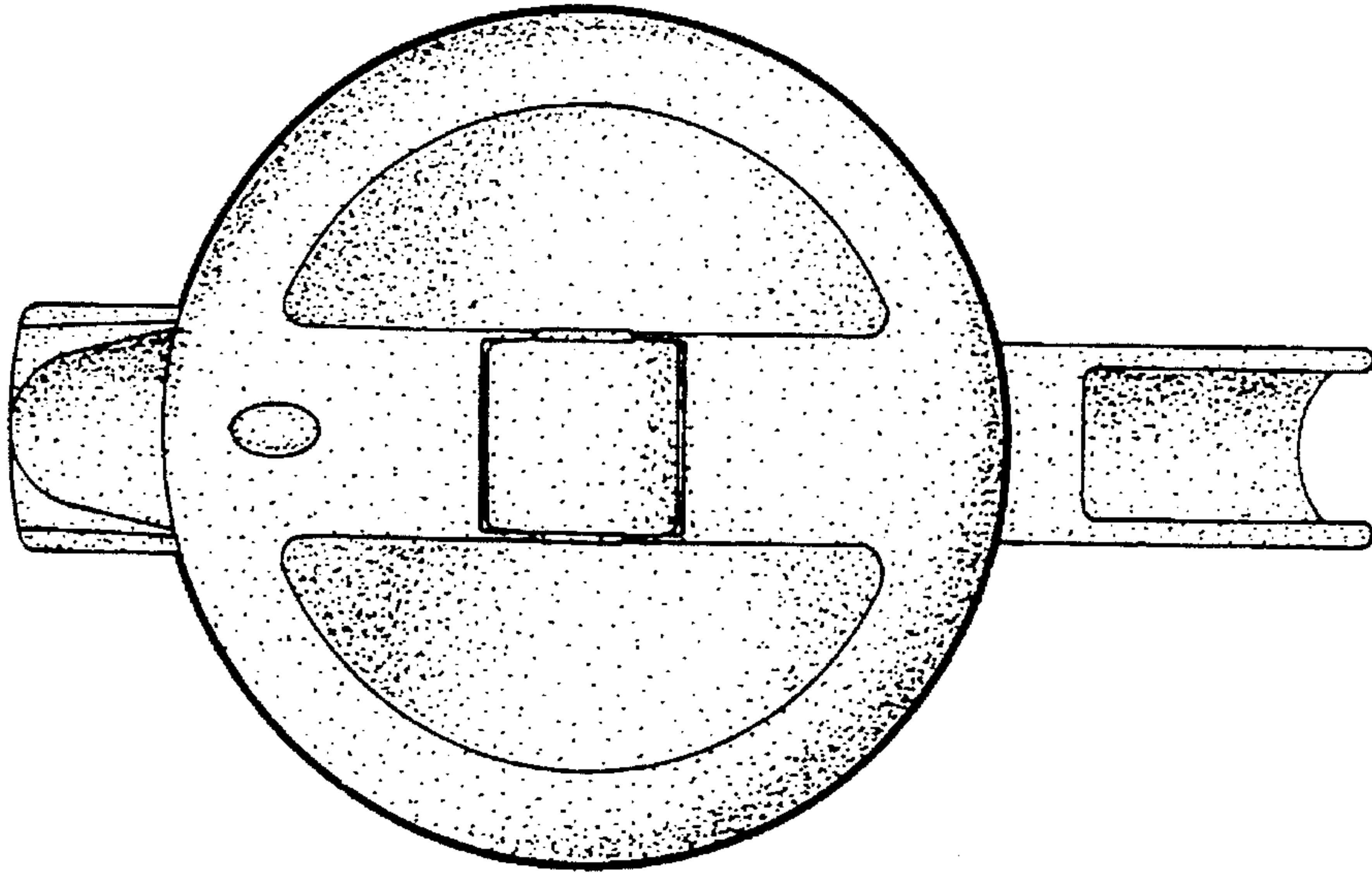


FIG. 6

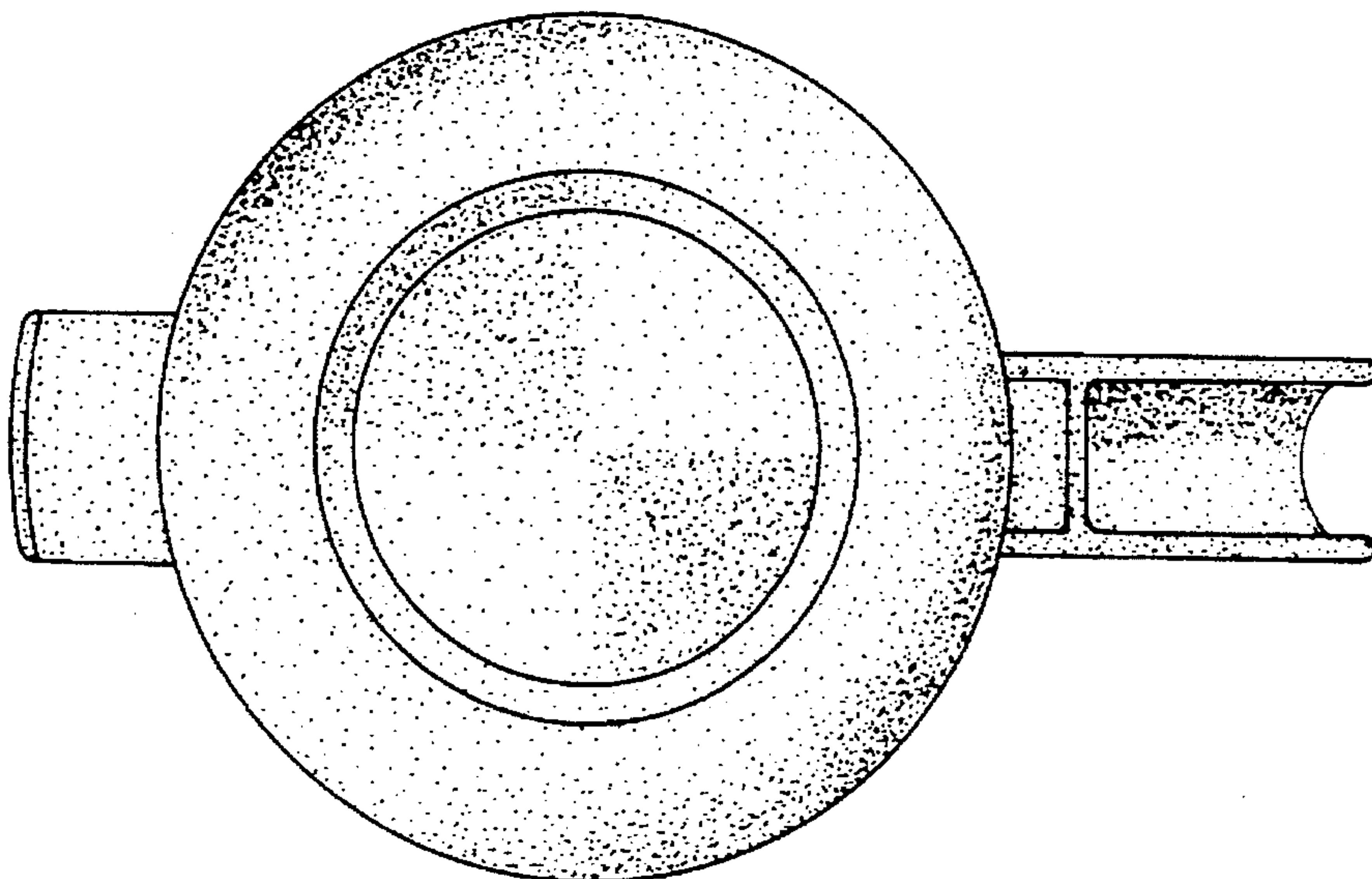


FIG. 7

