



US00D376064S

# United States Patent [19]

Glauth et al.

[11] Patent Number: **Des. 376,064**

[45] Date of Patent: **\*\*Dec. 3, 1996**

[54] **BEVERAGE CONTAINER AND DISPENSER**

[75] Inventors: **Ted W. Glauth**, Arvada; **Muhrl L. Linquist**, Morrison, both of Colo.

[73] Assignee: **Coors Brewing Company**, Golden, Colo.

[\*\*] Term: **14 Years**

[21] Appl. No.: **34,982**

[22] Filed: **Jan. 10, 1995**

[52] U.S. Cl. .... **D7/313**; D7/300; D7/229

[58] Field of Search ..... D7/619, 620, 300, D7/511, 510, 313; D3/229, 216, 217; D9/504, 337, 501, 517; D34/39; 224/209, 153, 229, 148

[56] **References Cited**

### U.S. PATENT DOCUMENTS

D. 156,993	1/1950	Peterson .....	D7/313
D. 273,247	4/1984	Pigott .....	D3/229
D. 321,980	12/1991	Billet .	
D. 322,753	12/1991	Sussman .....	D9/504
1,986,518	1/1935	Munkel .	
2,144,004	1/1939	Wilson .	
2,684,787	7/1954	Charpiat .	
3,191,402	6/1965	Baker .	
3,648,830	3/1972	Graf .....	D7/620 X
4,653,290	3/1987	Byrne .	
4,921,132	5/1990	Billet .	
5,261,554	11/1993	Forbes .....	224/148 X

5,301,858	4/1994	Hollander .....	224/148
5,350,086	9/1994	Martin et al. .	
5,400,934	3/1995	Ducros .....	224/209 X
5,427,290	6/1995	Thatcher .....	224/209 X

### OTHER PUBLICATIONS

"Inventors Come Up With Cool Names For What They Hope Will Be Hot Stuff", from Beverage World's Periscope, dated Sep. 30, 1993.

Marketing materials regarding The BevPack, Thirstenders International Corporation, date unknown.

Marketing materials, product features and specification regarding Rocket Man Mobile Drink Systems, P.O. Box 6748, Louisville, KY 40206, date unknown.

Primary Examiner—M. N. Pandozzi

Attorney, Agent, or Firm—Sheridan Ross & McIntosh

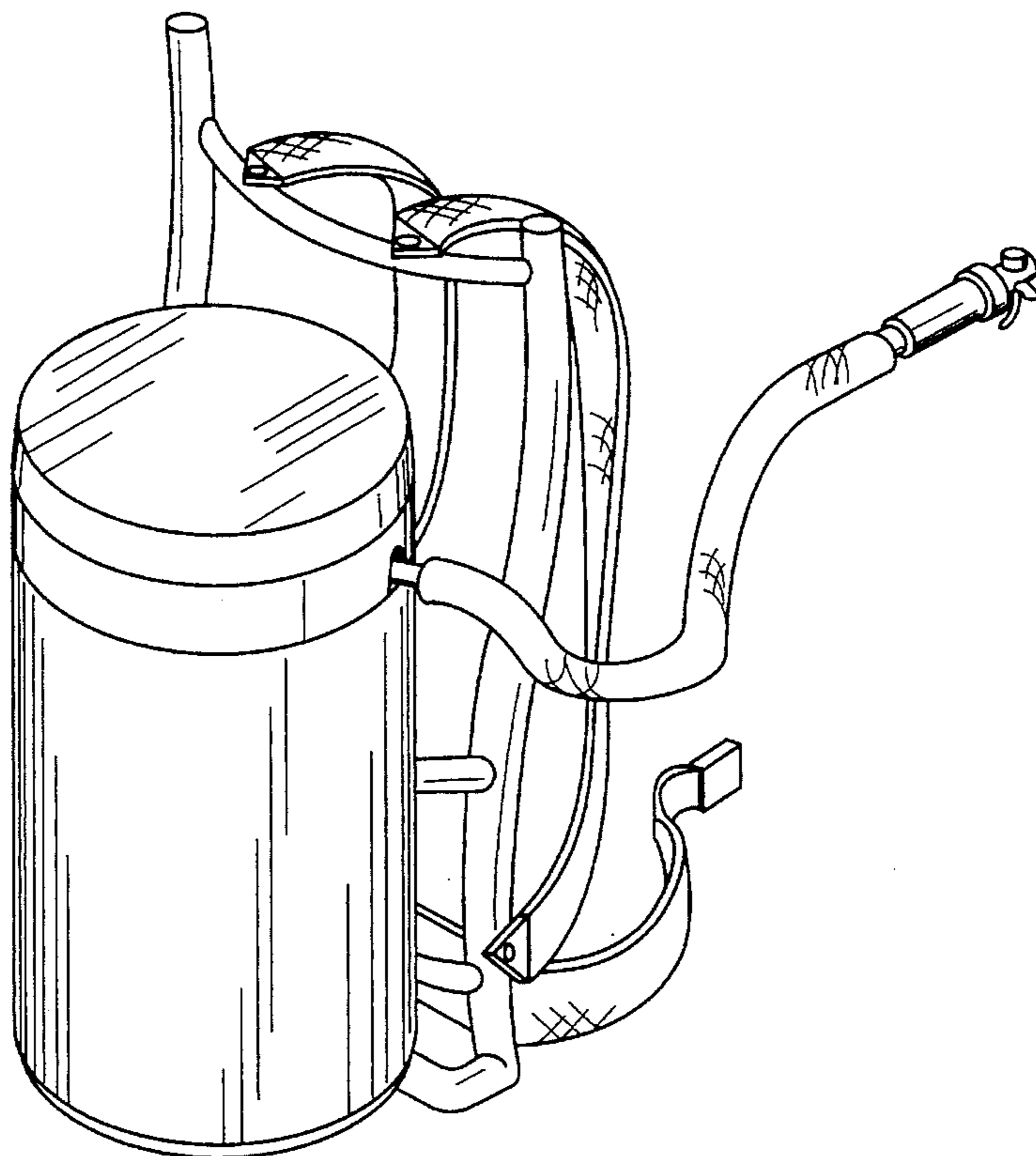
### [57] CLAIM

The ornamental design for a beverage container and dispenser, as shown and described.

### DESCRIPTION

FIG. 1 is a top, front, right side perspective view of a beverage container and dispenser showing our new design; FIG. 2 is a top front perspective view thereof; FIG. 3 is a top plan view thereof; FIG. 4 is a top rear right side perspective view thereof; FIG. 5 is a left side elevational view thereof; and, FIG. 6 is a bottom plan view thereof.

**1 Claim, 3 Drawing Sheets**



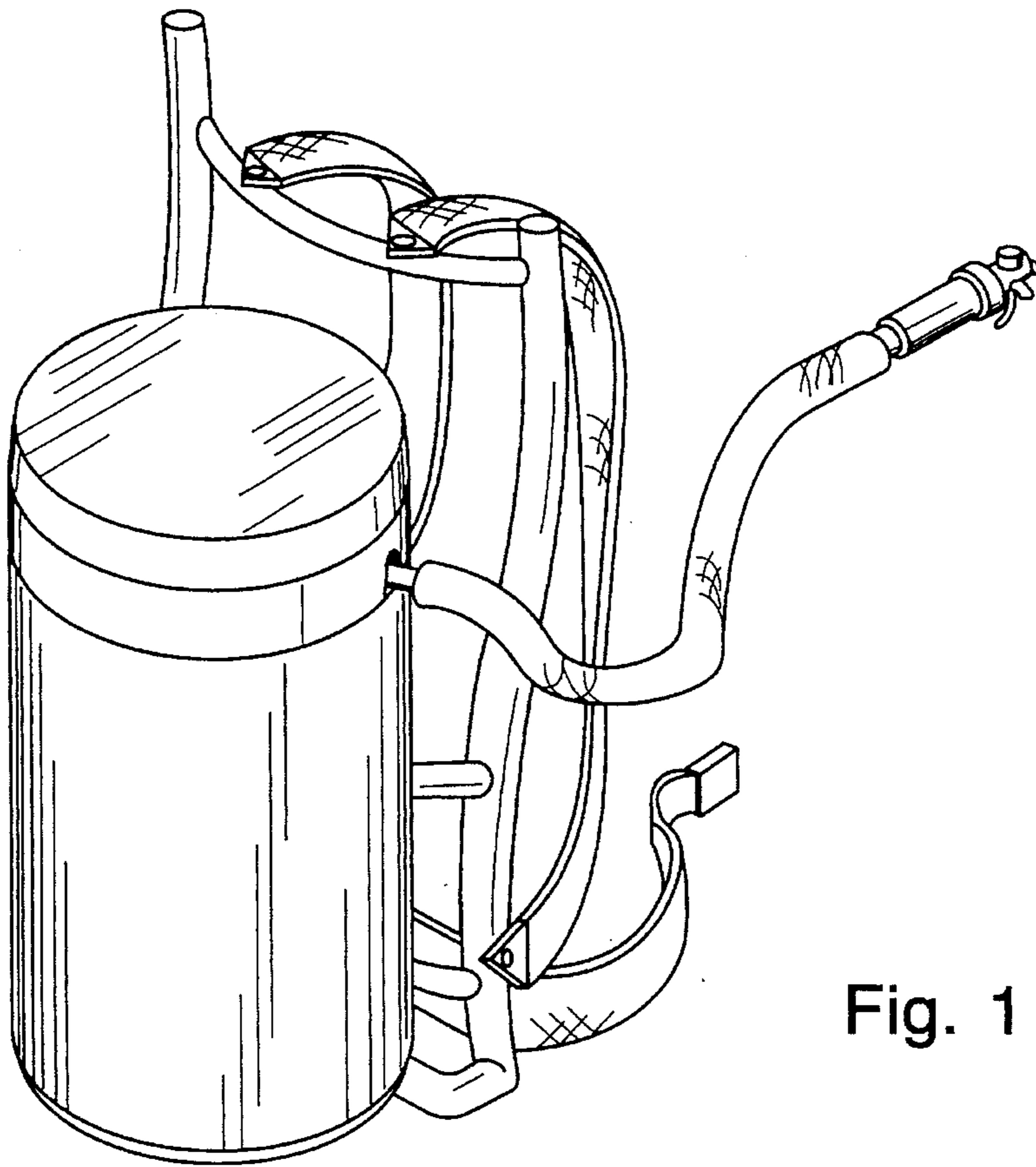


Fig. 1

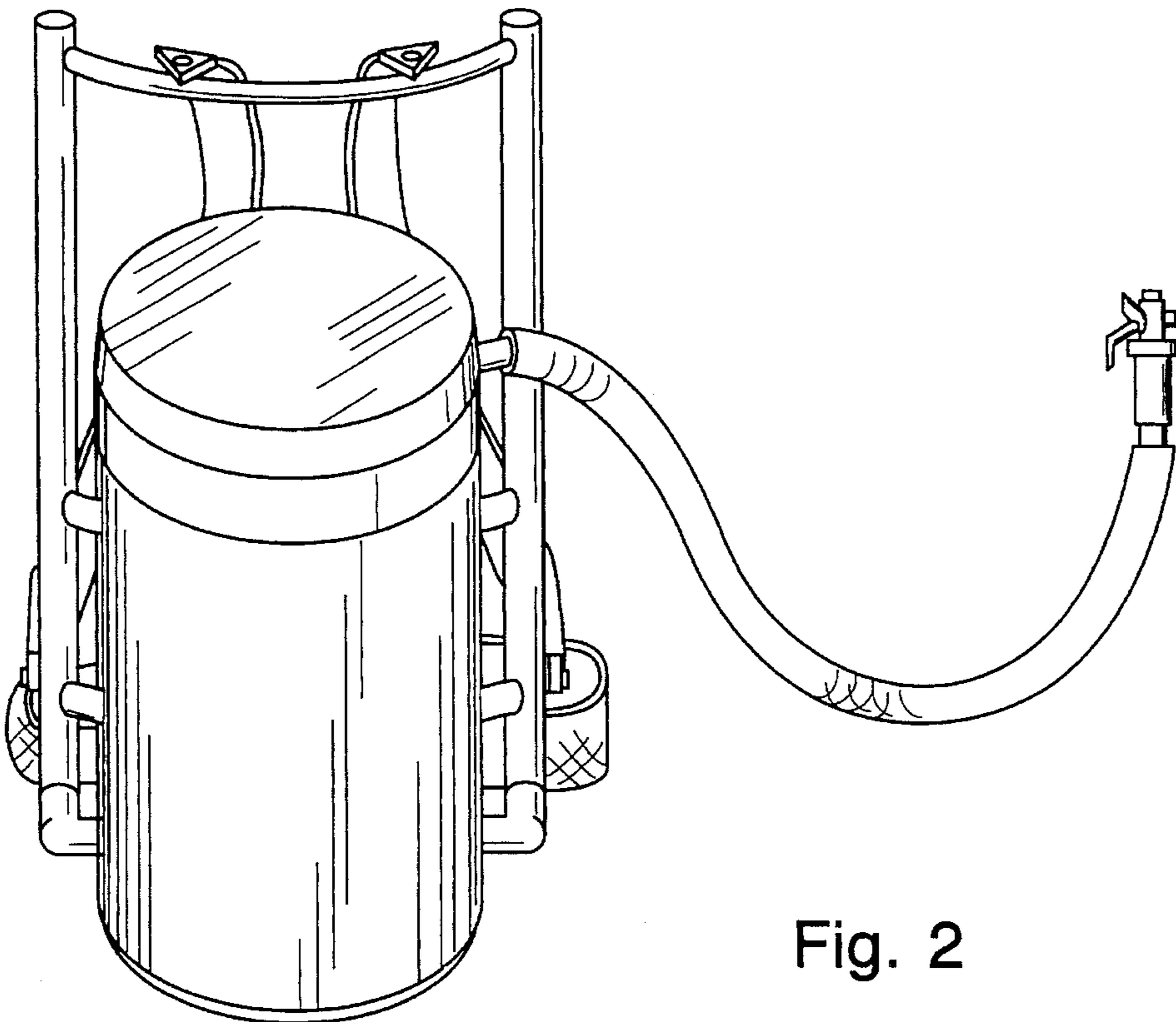


Fig. 2

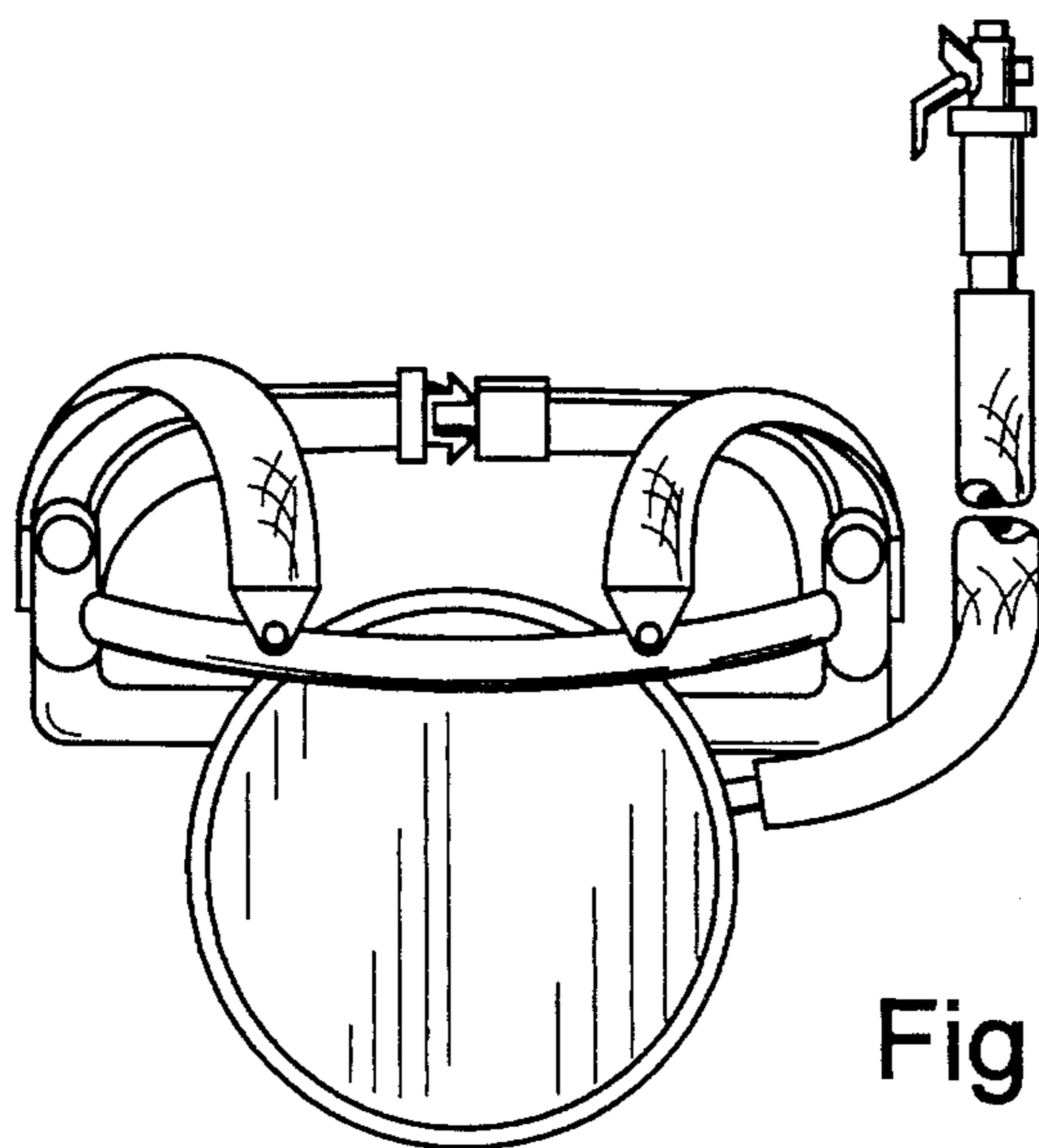


Fig. 3

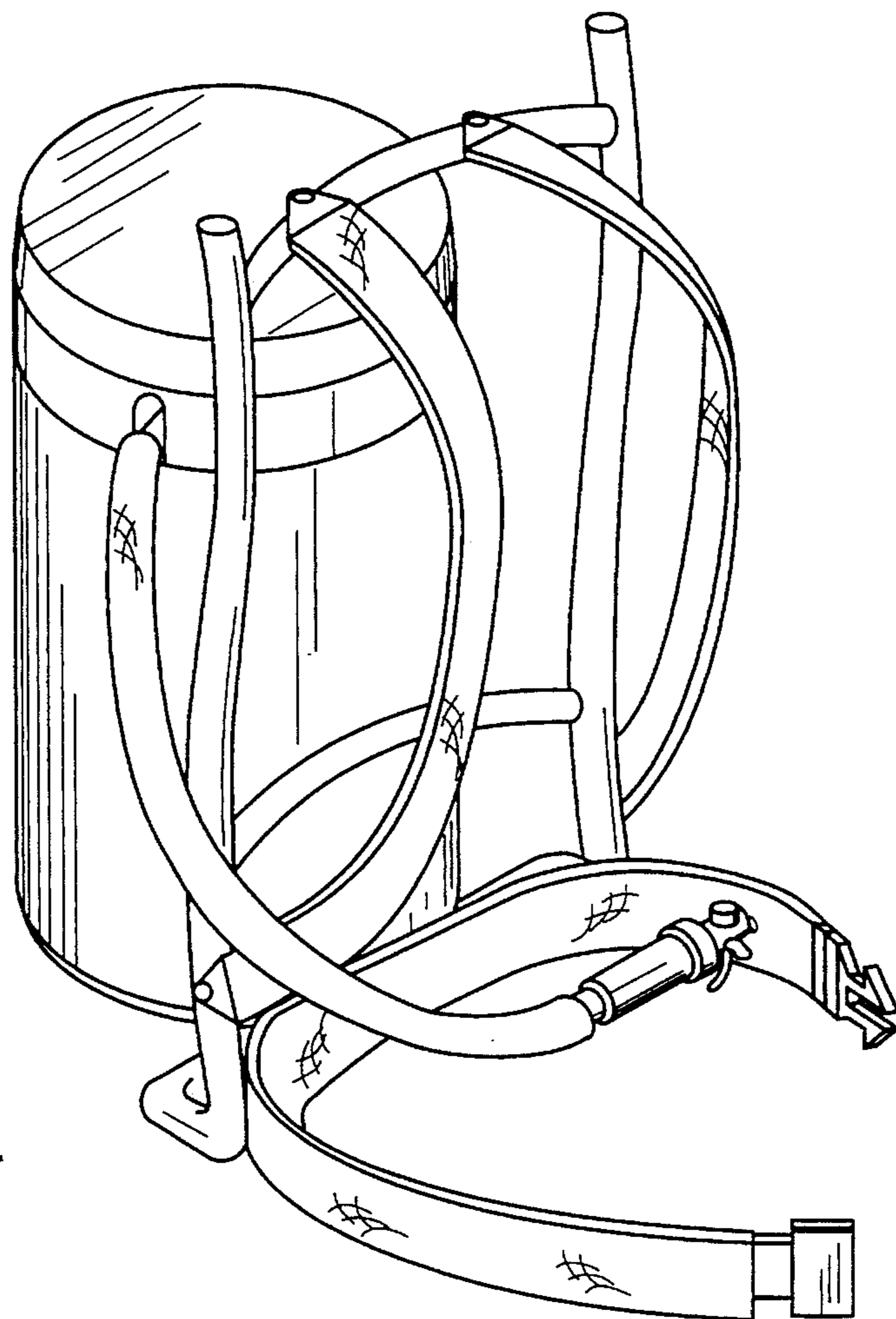


Fig. 4

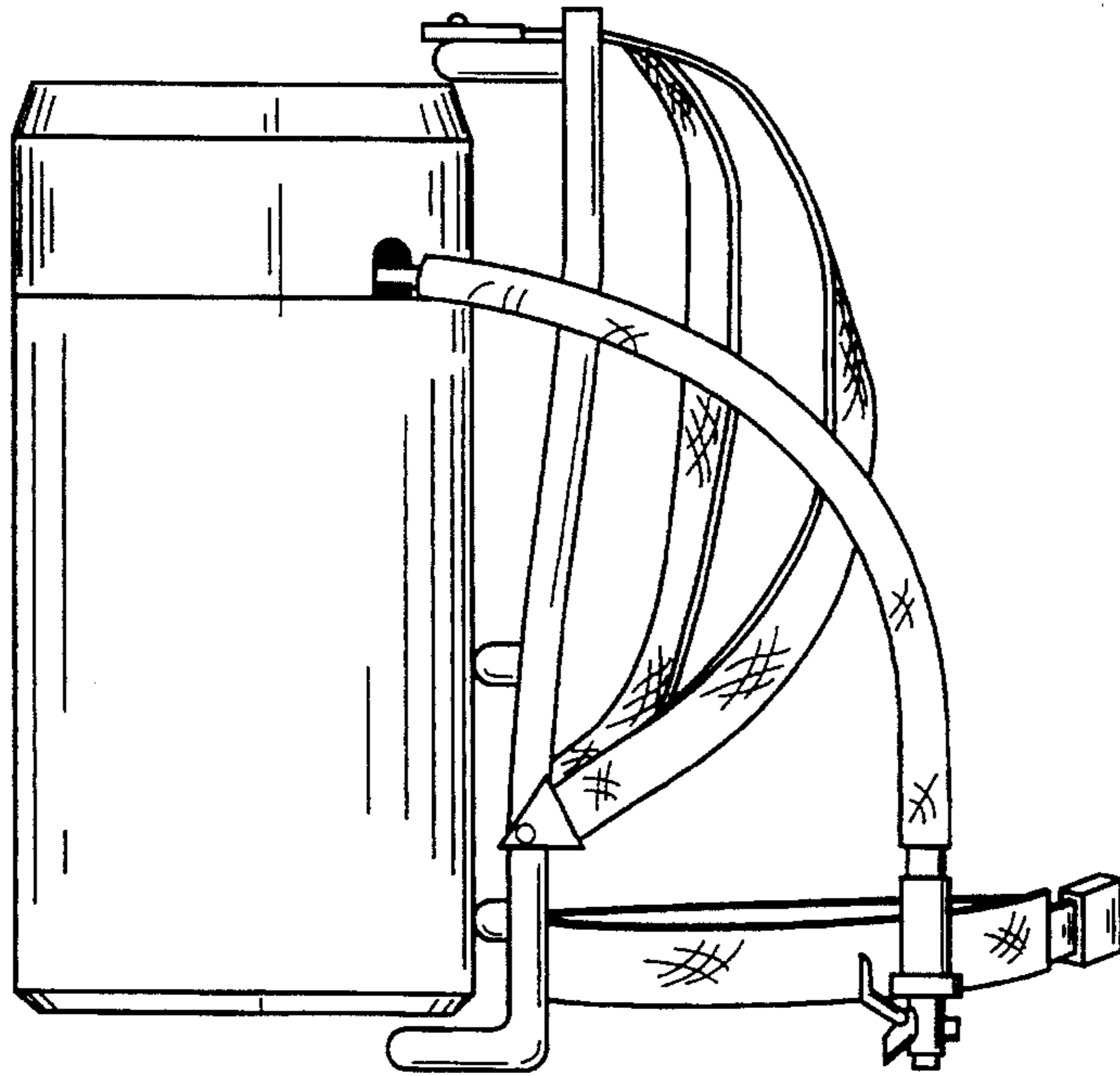


Fig. 5

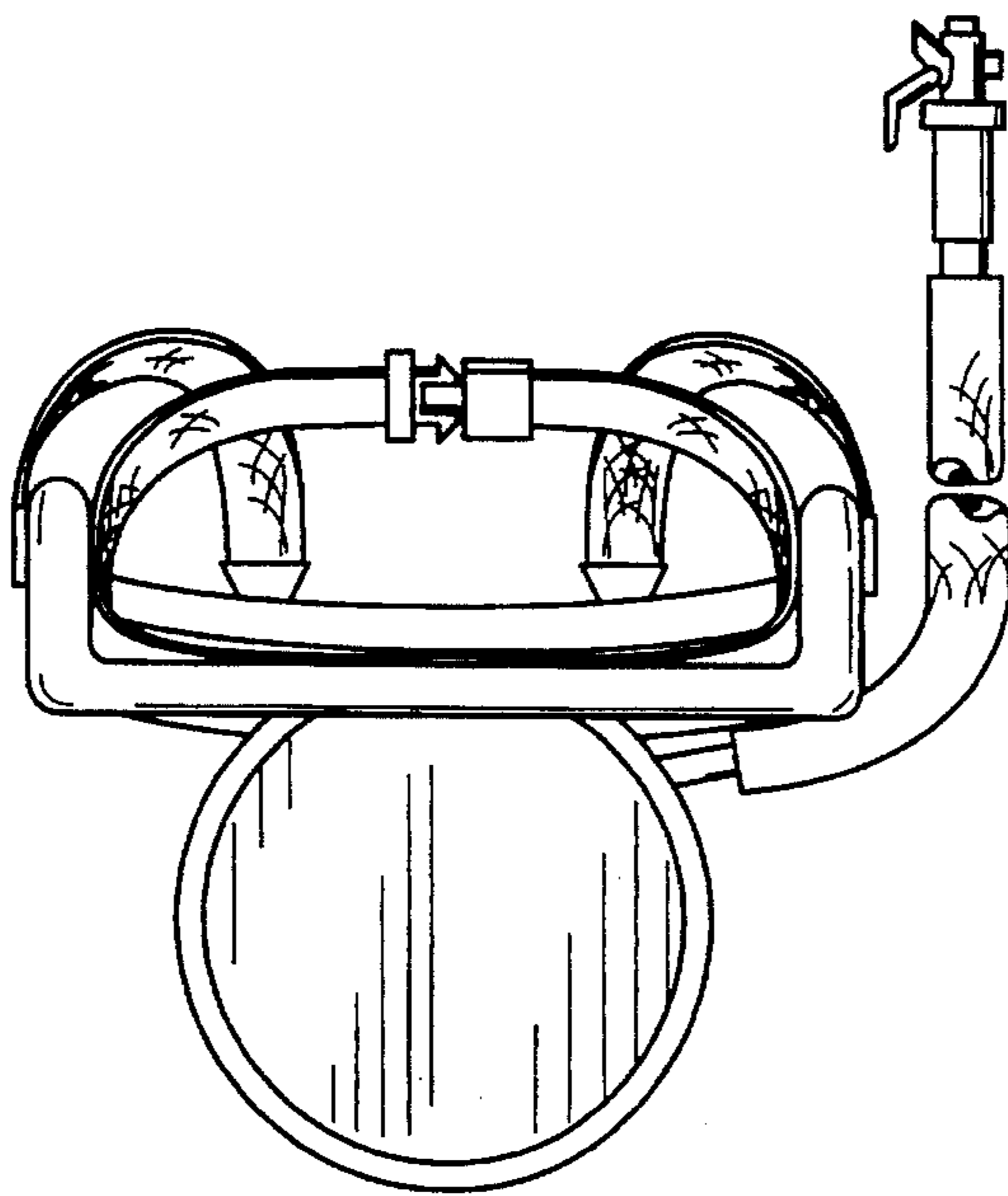


Fig. 6