



US00D376063S

# United States Patent [19]

[11] Patent Number: **Des. 376,063**

**Bull et al.**

[45] Date of Patent: **\*\*Dec. 3, 1996**

[54] **SALAD SPINNER**

[75] Inventors: **Jeff Bull**, Oswego; **Damon Johnston**, Lombard, both of Ill.

[73] Assignee: **Wilton Industries, Inc.**, Woodridge, Ill.

[\*\*] Term: **14 Years**

[21] Appl. No.: **45,623**

[22] Filed: **Oct. 25, 1995**

[52] U.S. Cl. .... **D7/668**

[58] Field of Search ..... **D7/668; 426/115**

[56] **References Cited**

**PUBLICATIONS**

- Lillian Vernon, p. 62, Salad Spinner.
- Gifts & Decorative Accessories, Jul. 1973, p. 117, Salad Spinner.
- Hong Kong Enterprise, Nov. 1982, p. 158, Salad Spinner.

P. 85 of Rowoco catalog, circa 1990.  
P. 7 of 1993 Rowoco catalog.

*Primary Examiner*—Terry A. Wallace  
*Attorney, Agent, or Firm*—Rockey, Rifkin & Ryther

[57] **CLAIM**

The ornamental design for a salad spinner, as shown.

**DESCRIPTION**

FIG. 1 is a front perspective view of a salad spinner showing our new design;  
 FIG. 2 is a front elevation view thereof;  
 FIG. 3 is a rear elevation view thereof;  
 FIG. 4 is a top plan view thereof;  
 FIG. 5 is a side elevation view thereof;  
 FIG. 6 is the opposite side elevation view thereof; and,  
 FIG. 7 is a bottom plan view thereof.

**1 Claim, 4 Drawing Sheets**

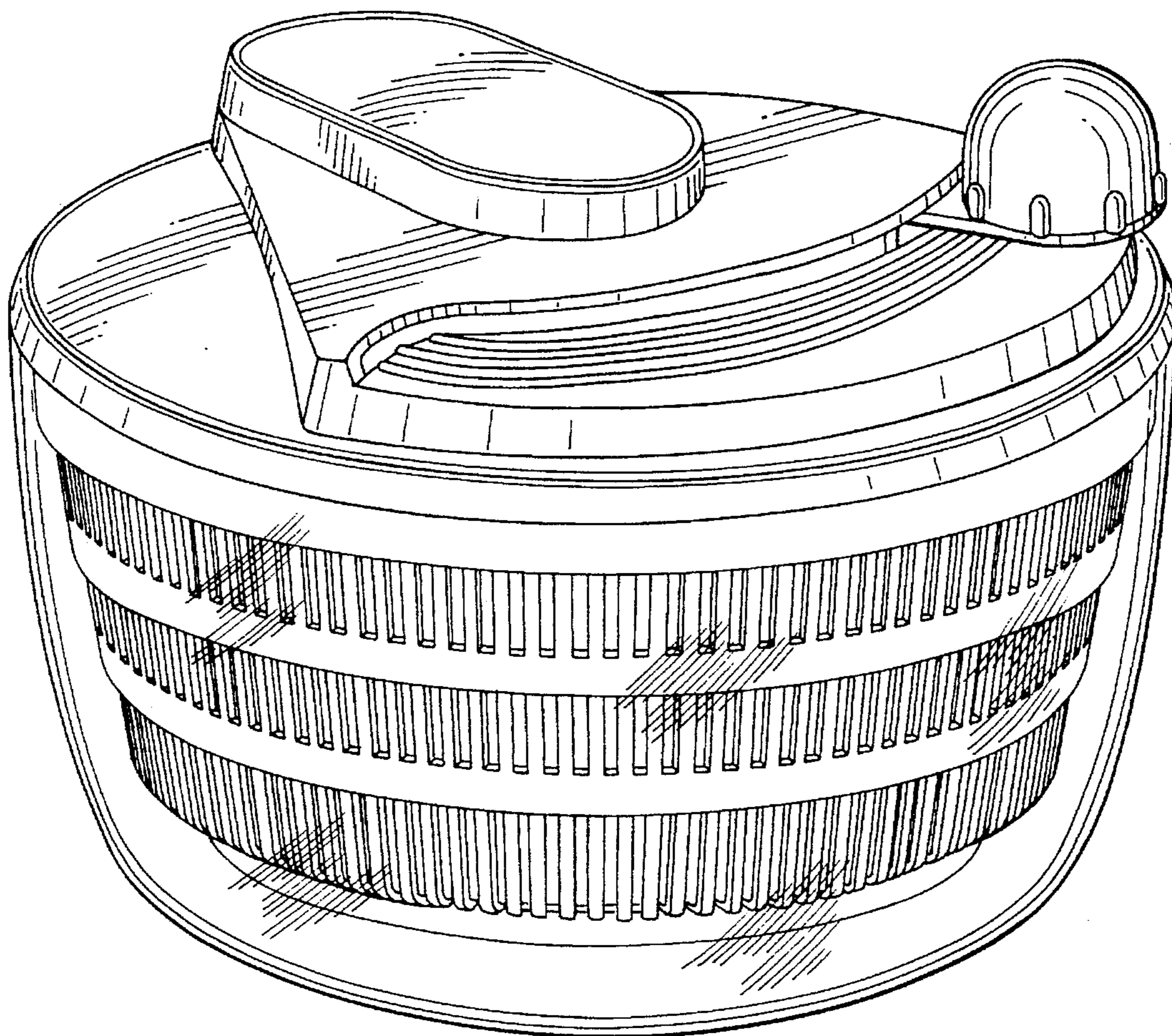


FIG. 1

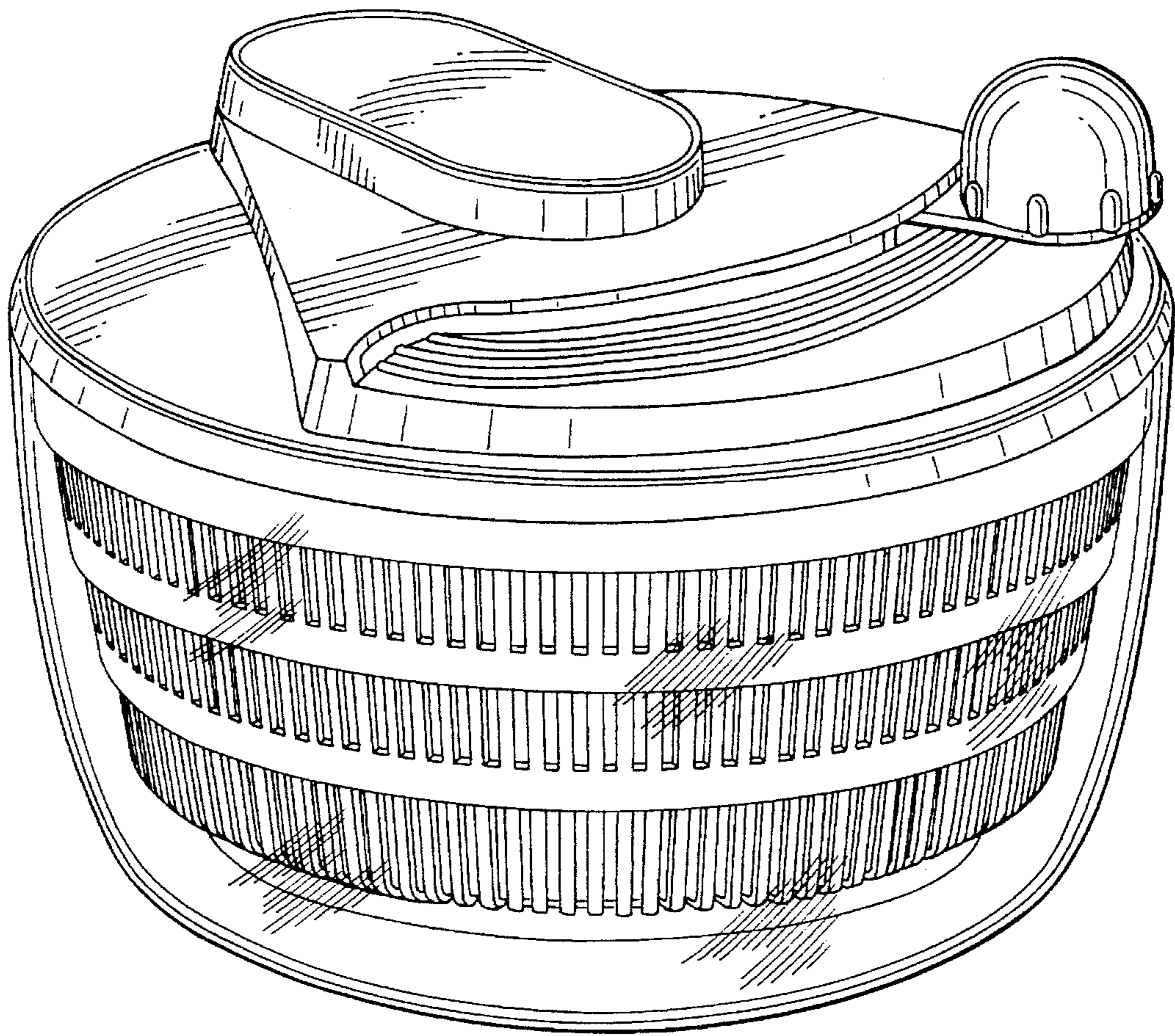


FIG. 2

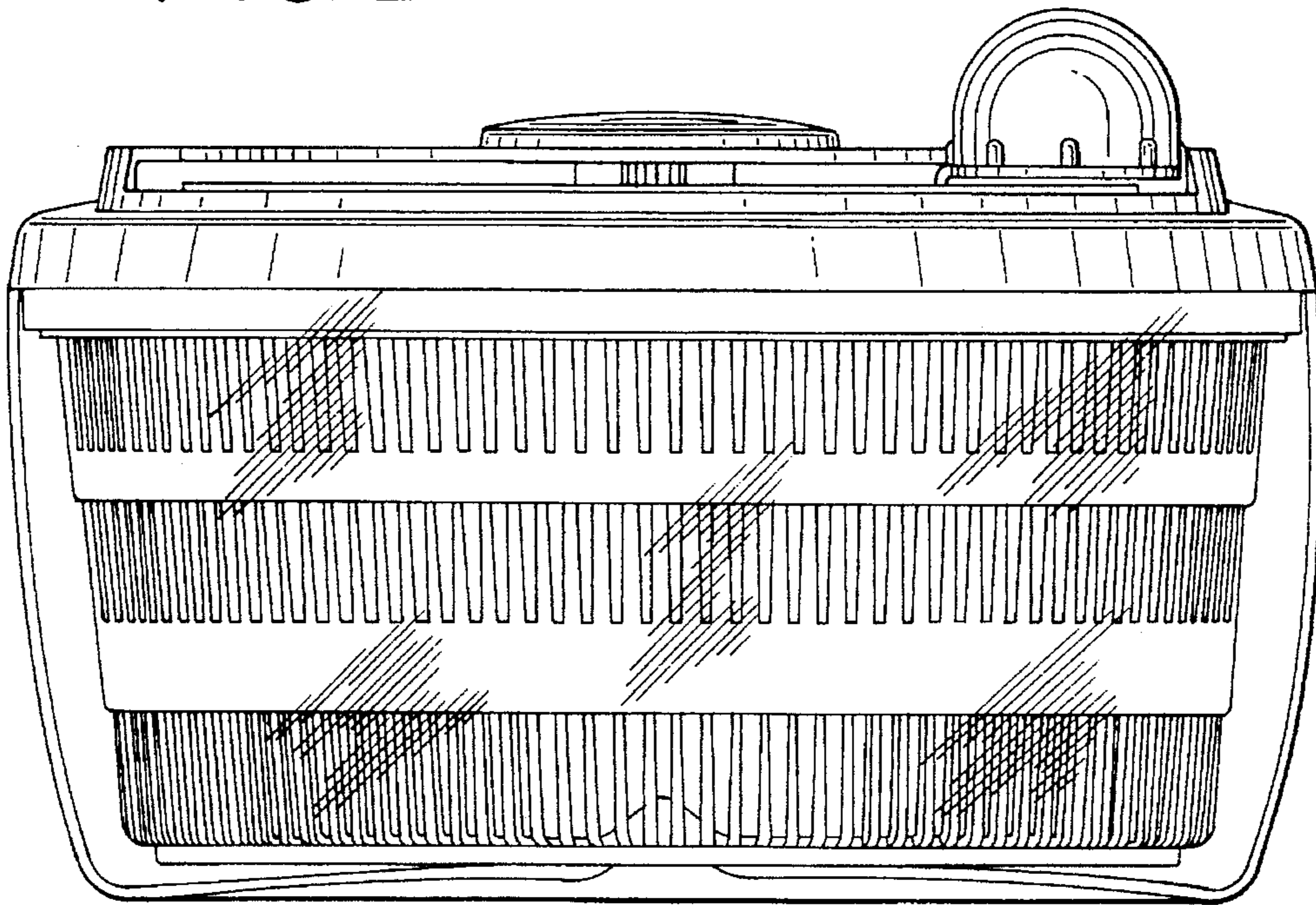


FIG. 3

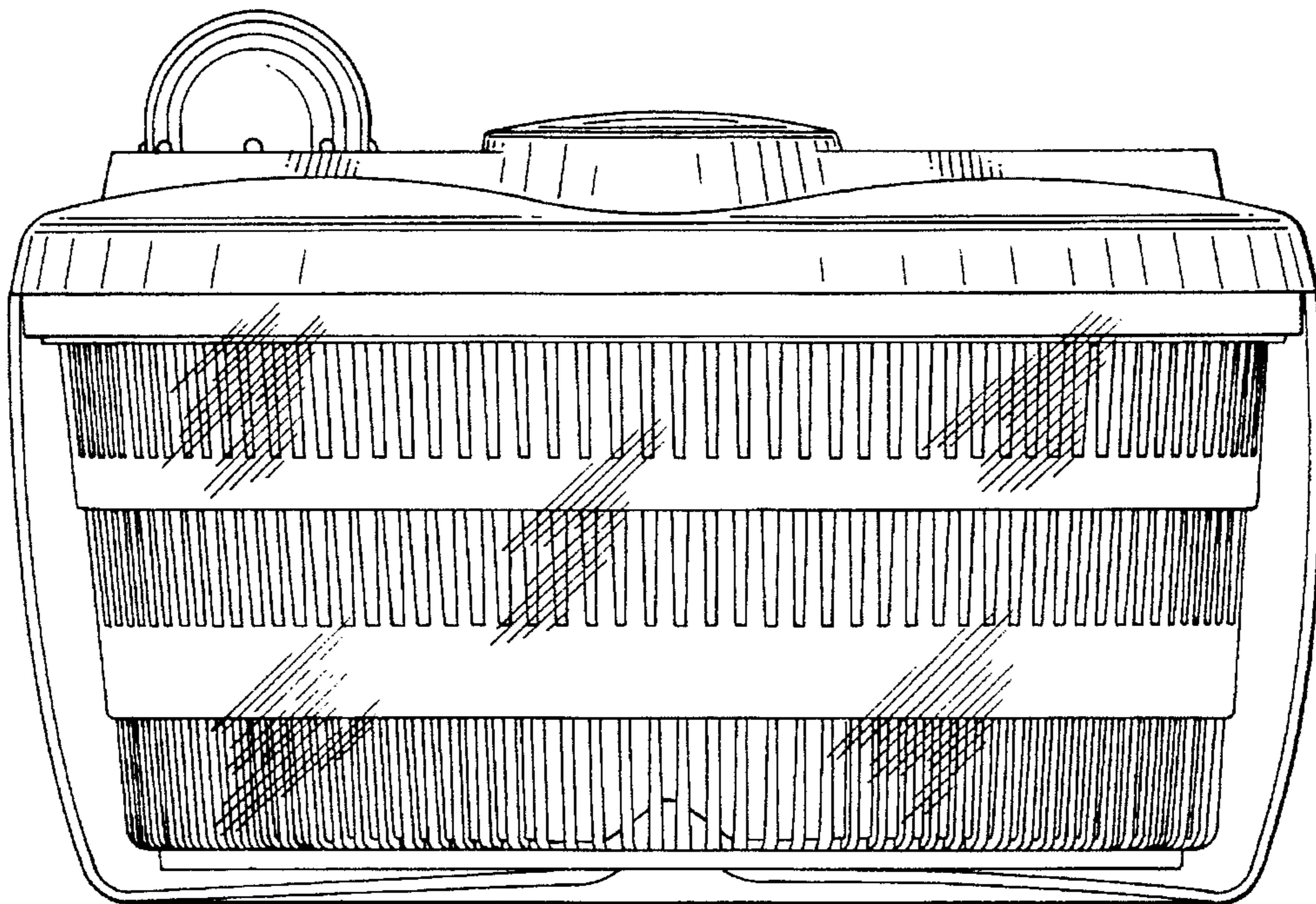


FIG. 4

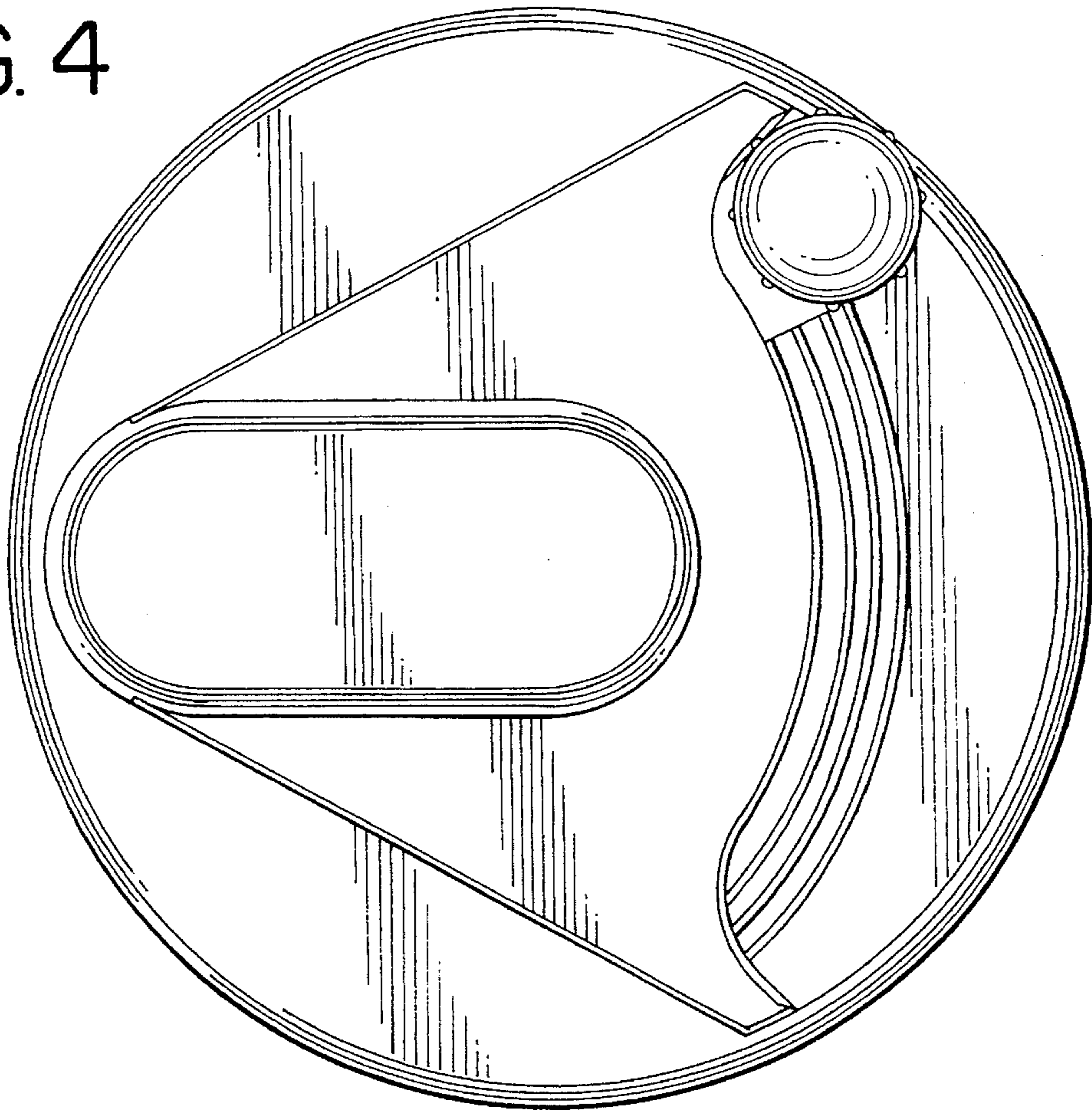


FIG. 5

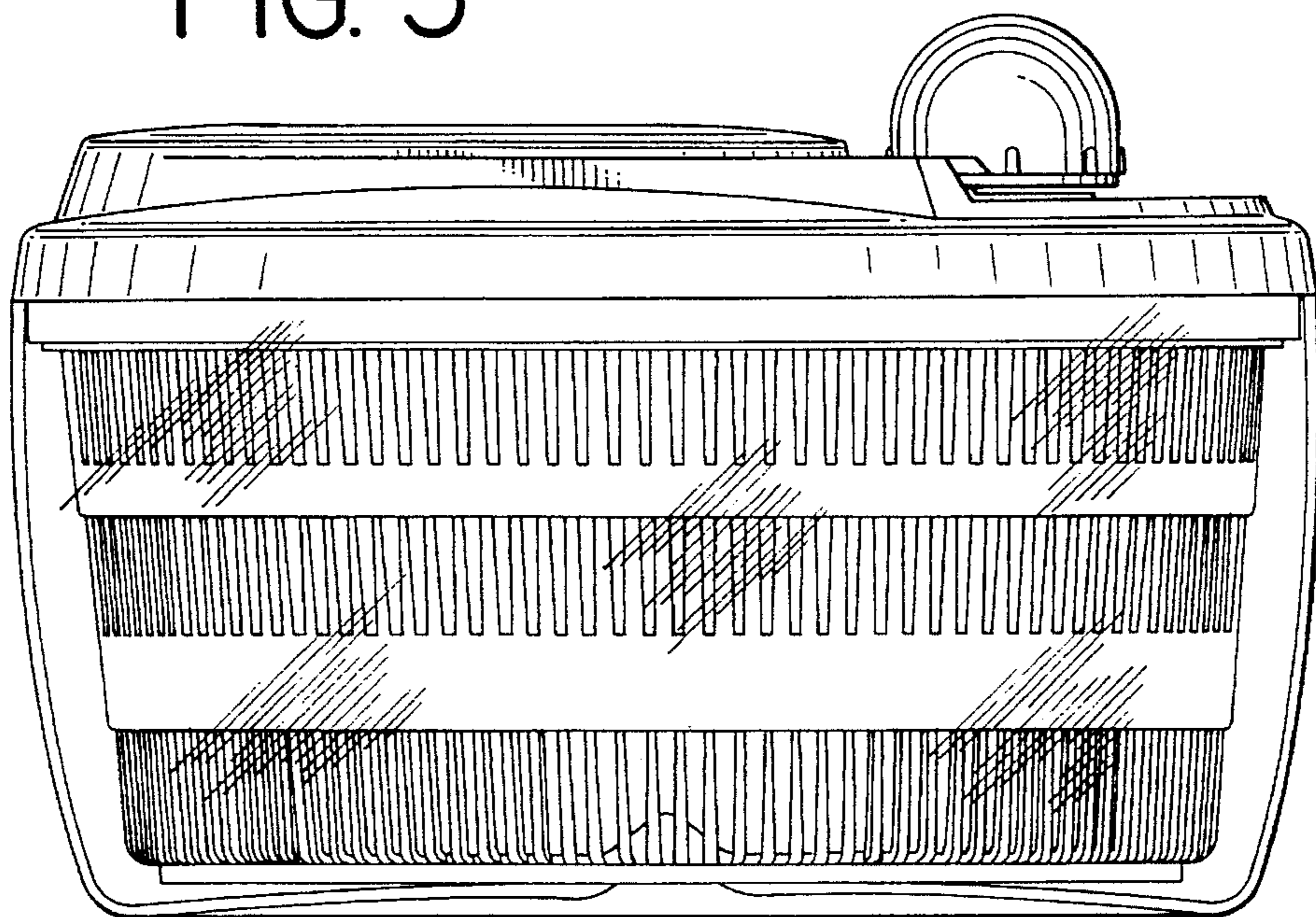


FIG. 6

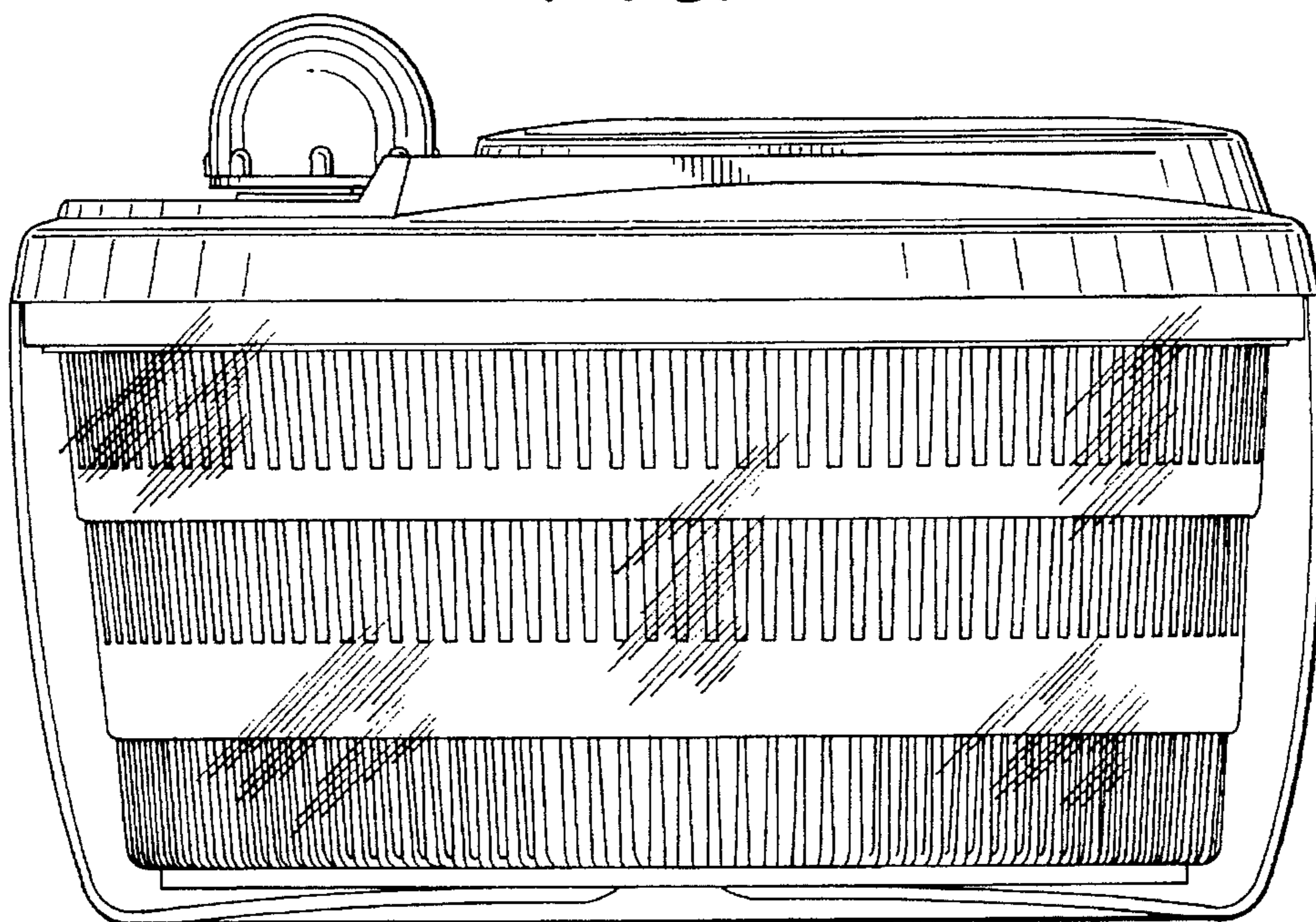


FIG. 7

