



US00D376061S

United States Patent [19]

Aulenbach

[11] **Patent Number: Des. 376,061**

[45] **Date of Patent: **Dec. 3, 1996**

[54] **CLOTHES LINE HANGER BLOCK**

[76] Inventor: **Charles W. Aulenbach**, 612 Crescent Ave., Reading, Pa. 19605

[**] Term: **14 Years**

[21] Appl. No.: **40,090**

[22] Filed: **Jun. 9, 1995**

[52] U.S. Cl. **D6/513**

[58] **Field of Search** D6/512-514; D8/300, D8/301, 307, 330-337, 349, 354; D32/35, 58; 211/72, 70.6, 86, 113; 248/214, 317

[56] **References Cited**

U.S. PATENT DOCUMENTS

D. 259,238	5/1981	Schenck, III	D8/307
2,284,979	6/1942	Lazarus	211/113
3,253,813	5/1966	Schwab	.	
3,606,967	9/1971	Roberts	D8/300 X
4,308,962	1/1982	Fahmi	.	
5,107,996	4/1992	Whittaker	.	

FOREIGN PATENT DOCUMENTS

2134057	8/1984	United Kingdom	D8/331 X
---------	--------	----------------	-------	----------

Primary Examiner—Brian N. Vinson
Attorney, Agent, or Firm—Dennis H. Lambert

[57] **CLAIM**

The ornamental design for a clothes line hanger block, as shown and described.

DESCRIPTION

FIG. 1 is a top, front, and left side perspective view of a clothes line hanger block showing my new design;

FIG. 2 is a left side elevational view thereof, the right side being identical in appearance;

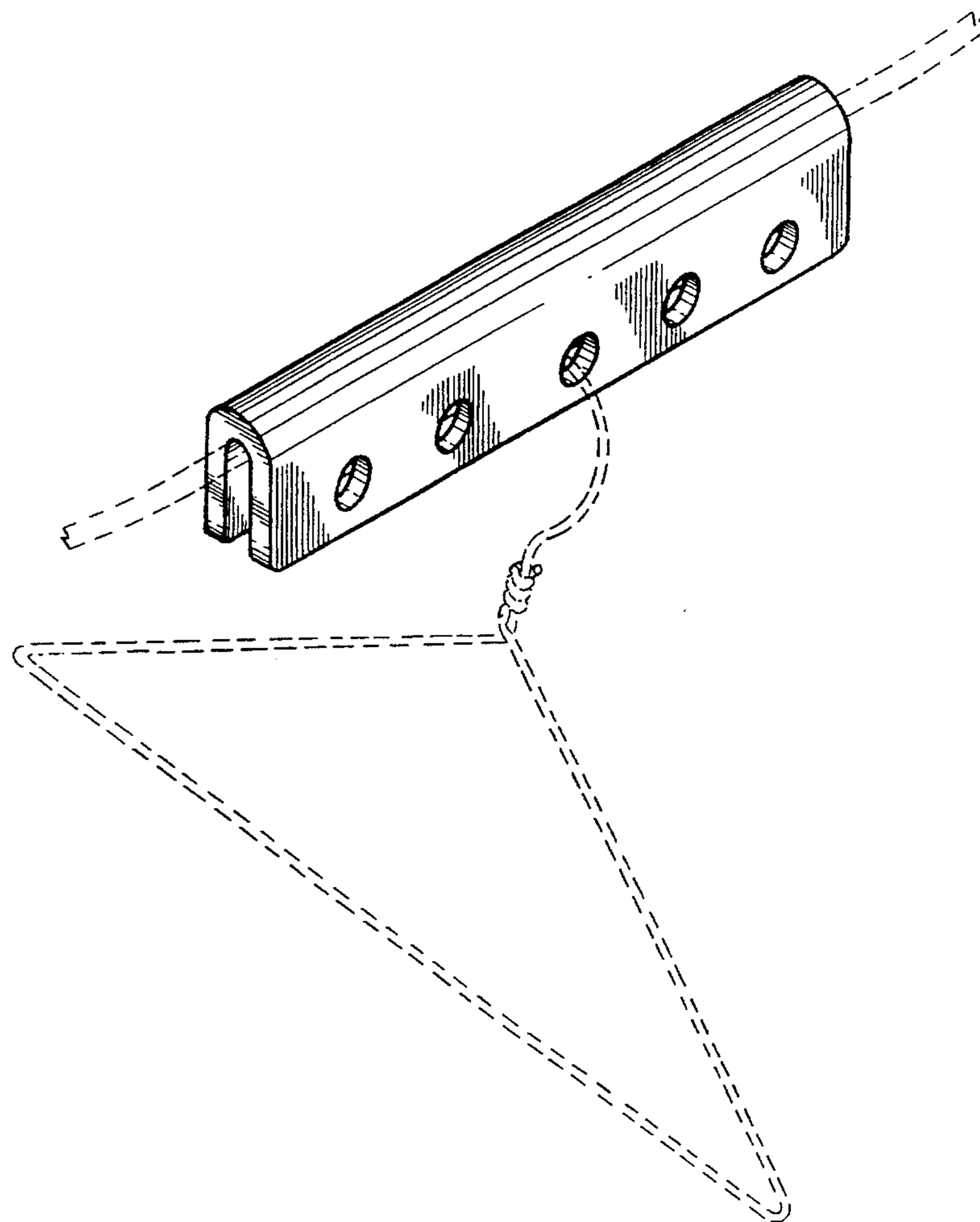
FIG. 3 is a front elevational view thereof, the rear being identical in appearance;

FIG. 4 is a top plan view thereof; and,

FIG. 5 is a bottom plan view thereof.

The broken-line disclosures of a portion of a clothesline and hanger in FIG. 1 and a portion of a hanger in FIG. 2 are for illustrative purposes only and form no part of the claimed design.

1 Claim, 2 Drawing Sheets



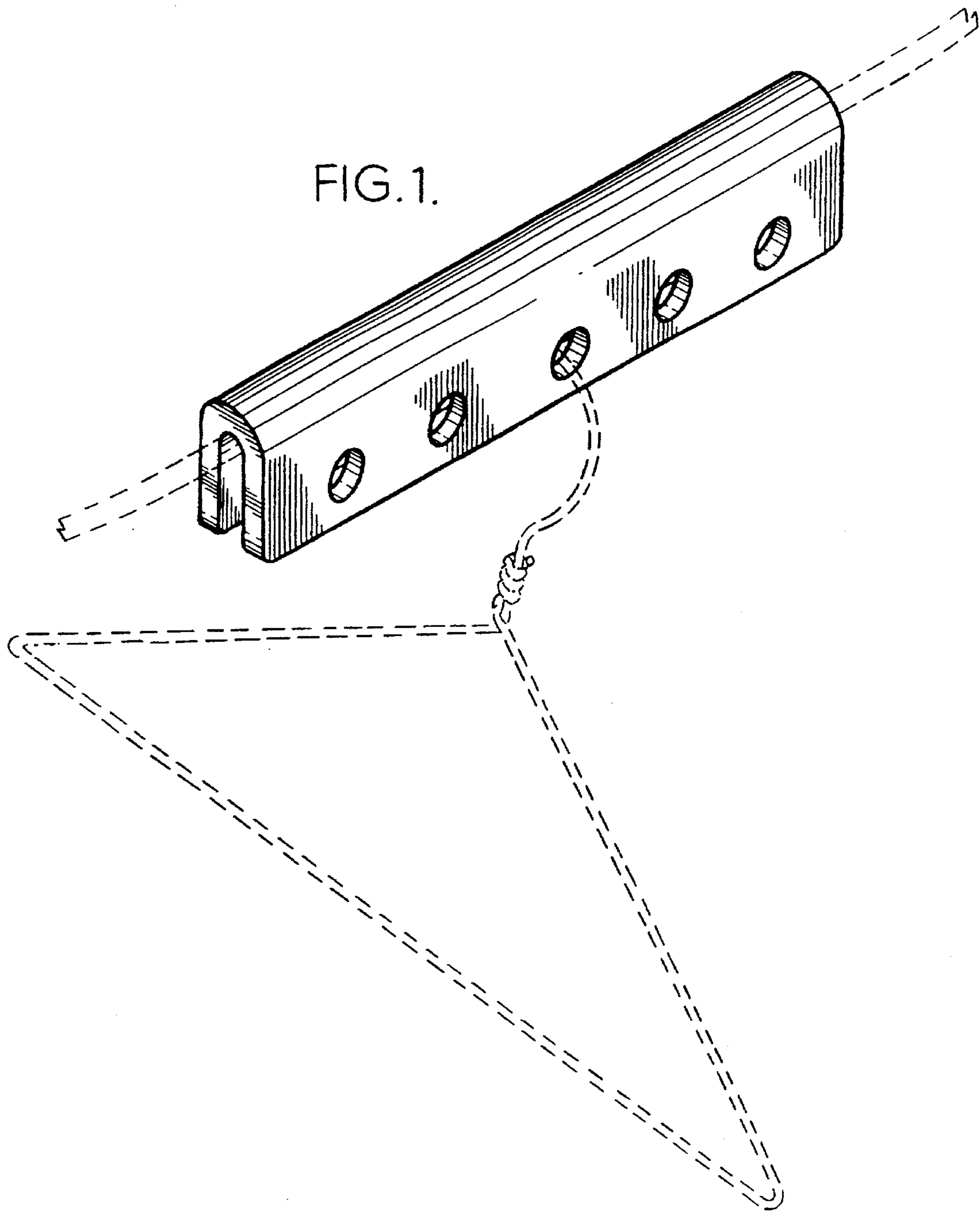


FIG. 4.

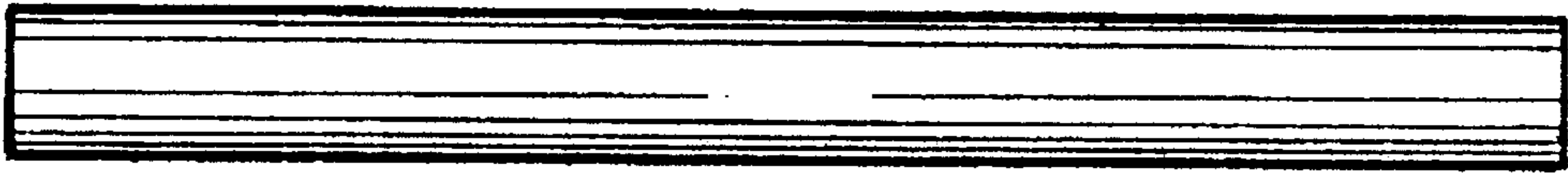


FIG. 5.

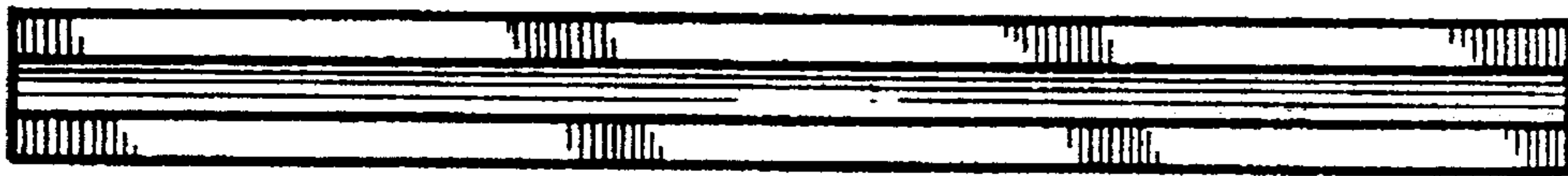


FIG. 3.

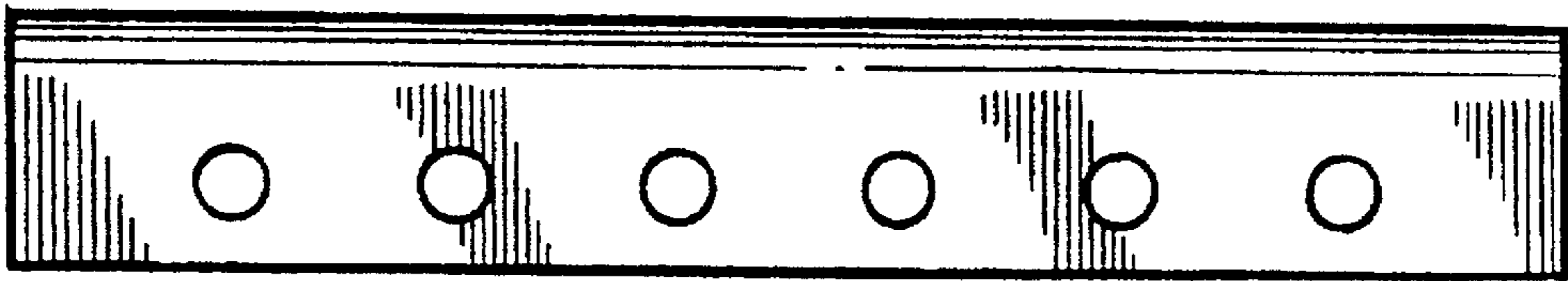


FIG. 2.

