



US00D376060S

**United States Patent** [19]  
**Cohen**

[11] **Patent Number:** **Des. 376,060**  
[45] **Date of Patent:** **\*\*Dec. 3, 1996**

[54] **ARM FOR ADJUSTABLE SAND CHAIR**

[75] Inventor: **Warren Cohen**, Merion, Pa.

[73] Assignee: **All-Luminum Products, Inc.**,  
Philadelphia, Pa.

[\*\*] Term: **14 Years**

[21] Appl. No.: **42,945**

[22] Filed: **Aug. 21, 1995**

[52] **U.S. Cl.** ..... **D6/501**

[58] **Field of Search** ..... D6/500-502, 334,  
D6/368, 366; 297/411.2, 411.25, 411.26,  
411.27, 411.45, 411.46

[56] **References Cited**

**U.S. PATENT DOCUMENTS**

D. 180,973	9/1957	Umanoff	.....	D6/501
D. 338,791	8/1993	Cohen	.....	D6/501
3,606,449	9/1971	Whybrew	.....	297/411.26 X
4,591,206	5/1986	Pribble	.....	297/148

*Primary Examiner*—Janice E. Seeger  
*Attorney, Agent, or Firm*—Stanley Bilker; Paul Maleson

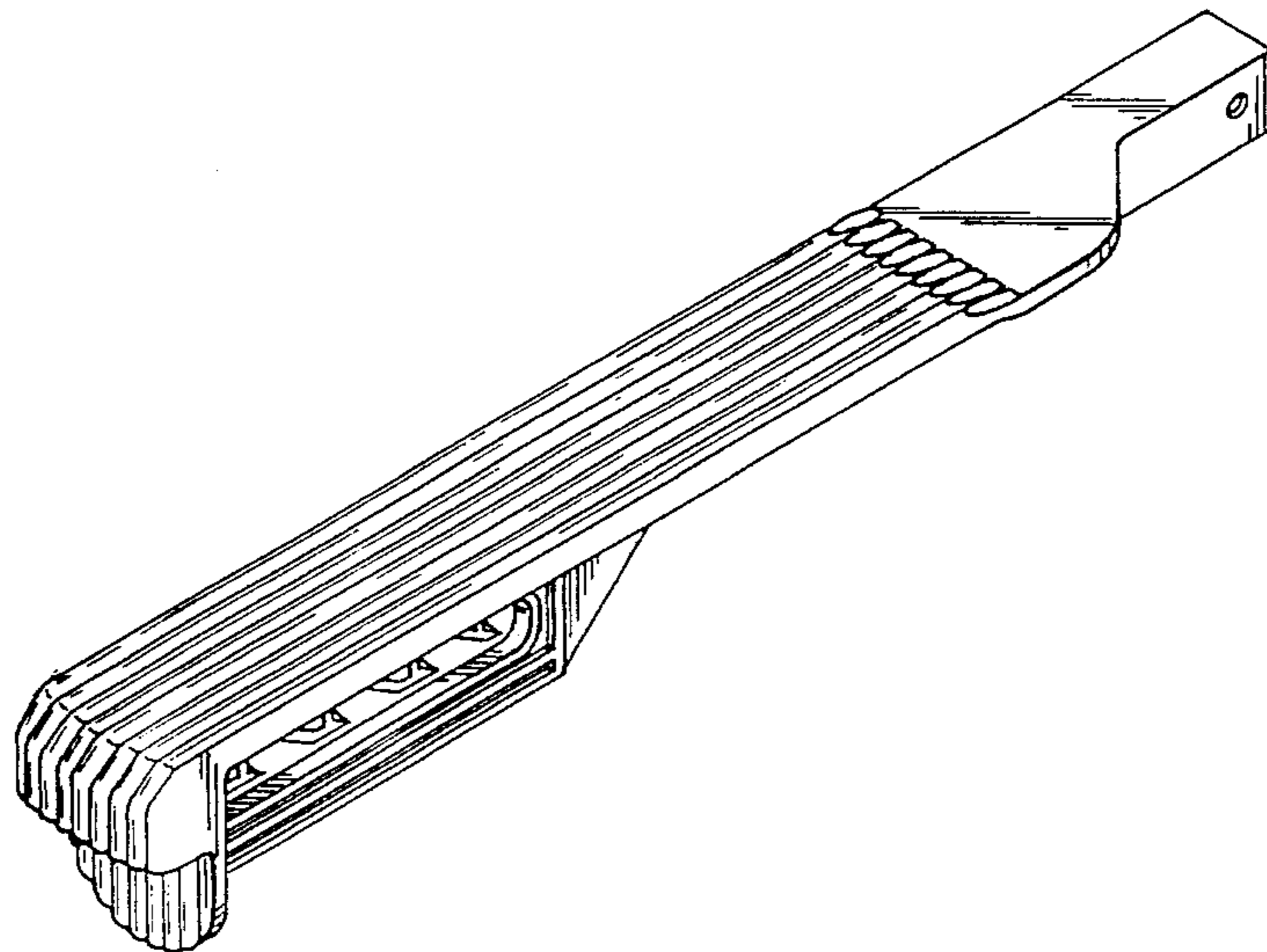
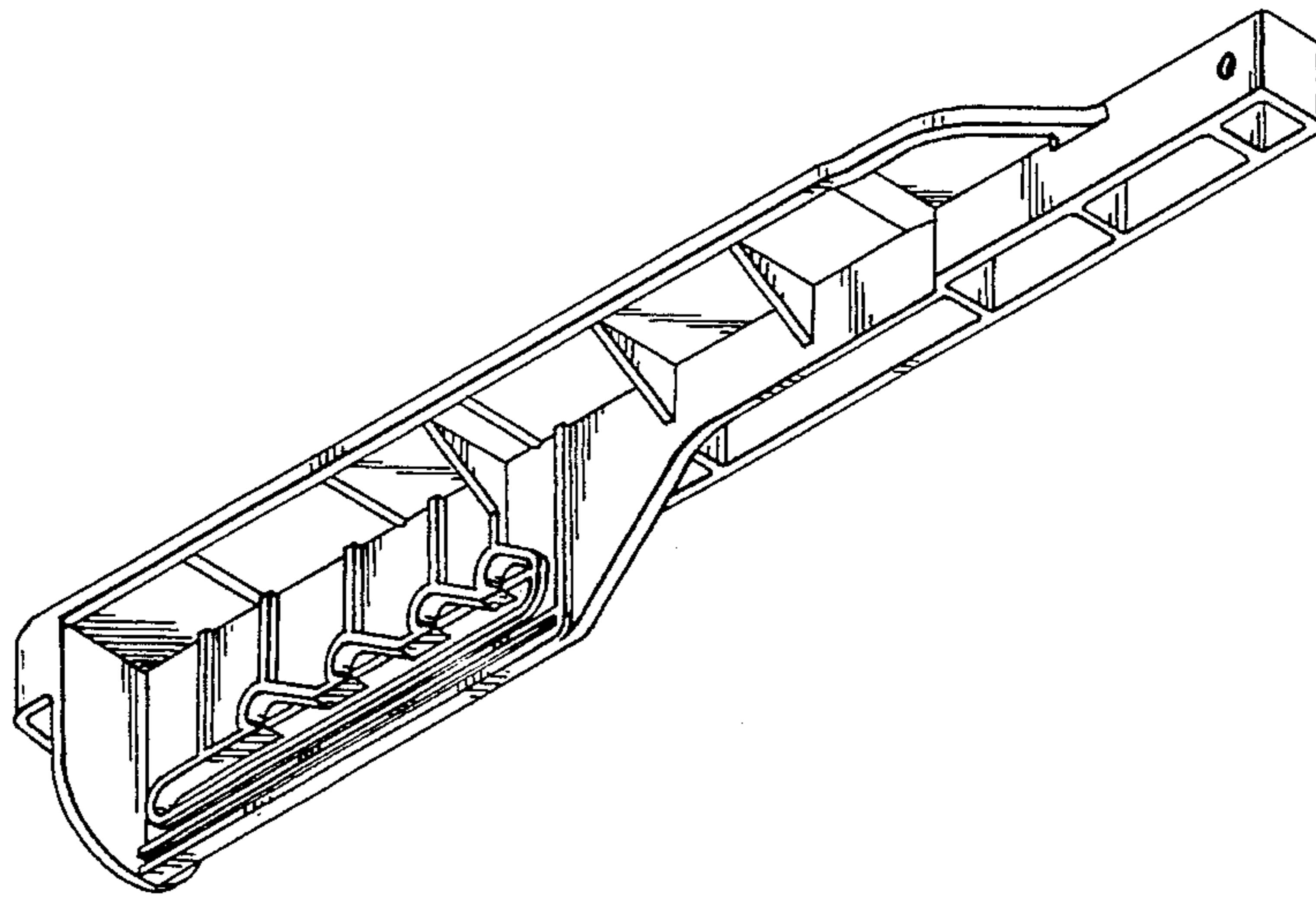
[57] **CLAIM**

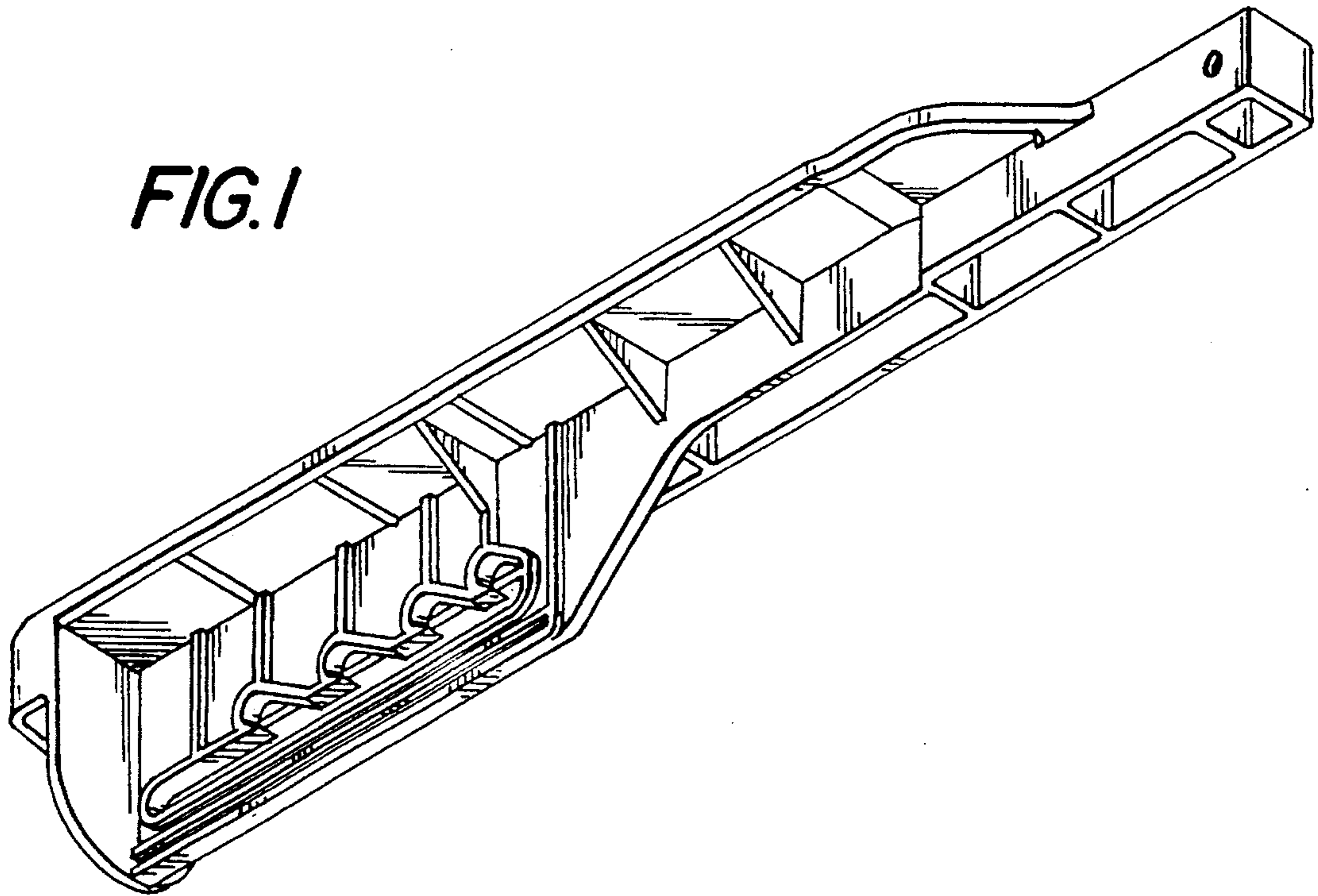
The ornamental design for an arm for adjustable sand chair, as shown and described.

**DESCRIPTION**

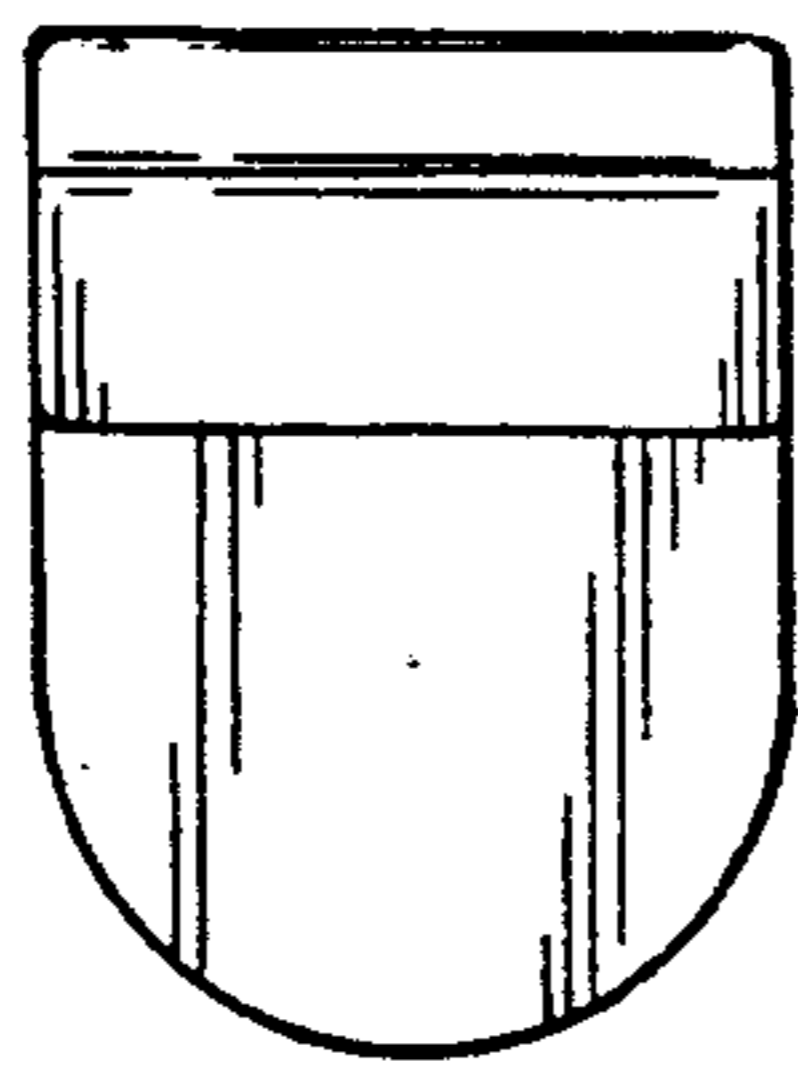
FIG. 1 is a bottom perspective view of an arm for adjustable sand chair embodying my new design;  
FIG. 2 is a front end elevational view thereof;  
FIG. 3 is a rear end elevational view thereof;  
FIG. 4 is a side elevational view of the side exposed in FIG. 1;  
FIG. 5 is a side elevational view of the side opposite to that shown in FIG. 4;  
FIG. 6 is a top plan view thereof;  
FIG. 7 is a bottom plan view thereof; and,  
FIG. 8 is a top perspective view of a modified form of my new design in arm for adjustable sand chair.

**1 Claim, 4 Drawing Sheets**





*FIG. 2*



*FIG. 3*

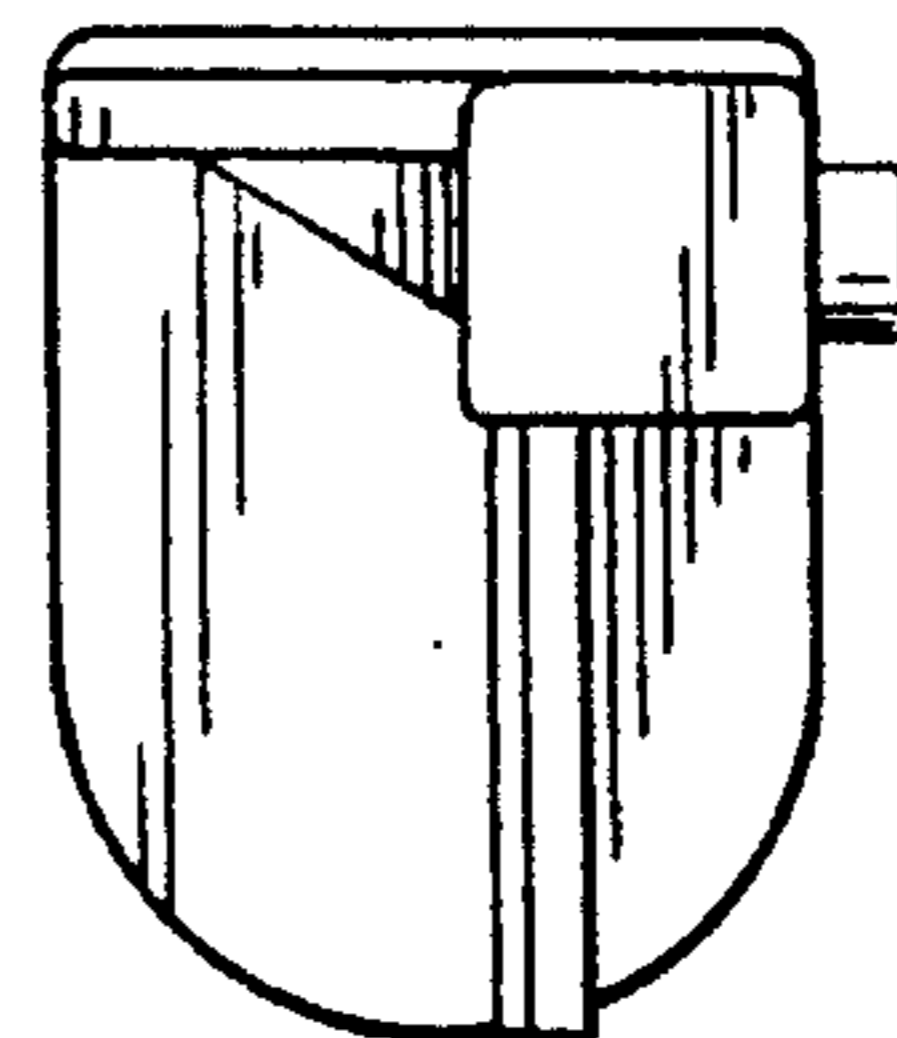


FIG. 5

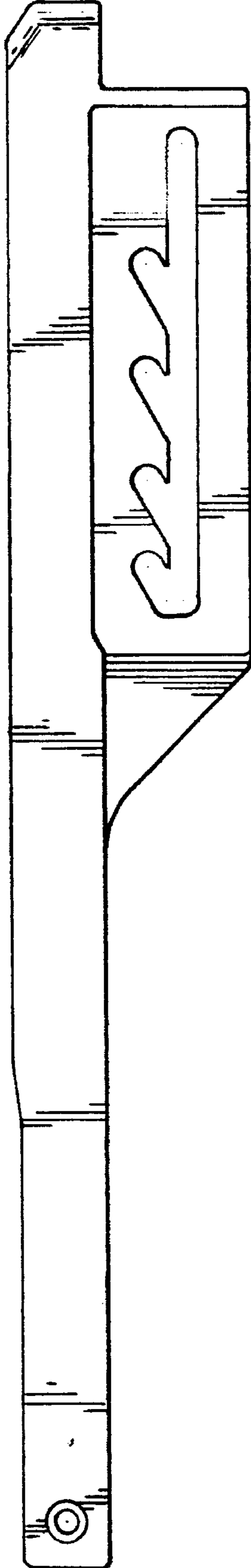
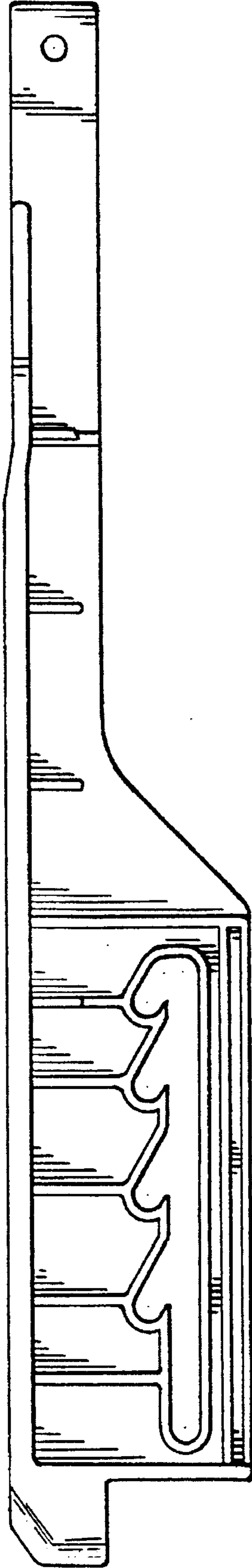
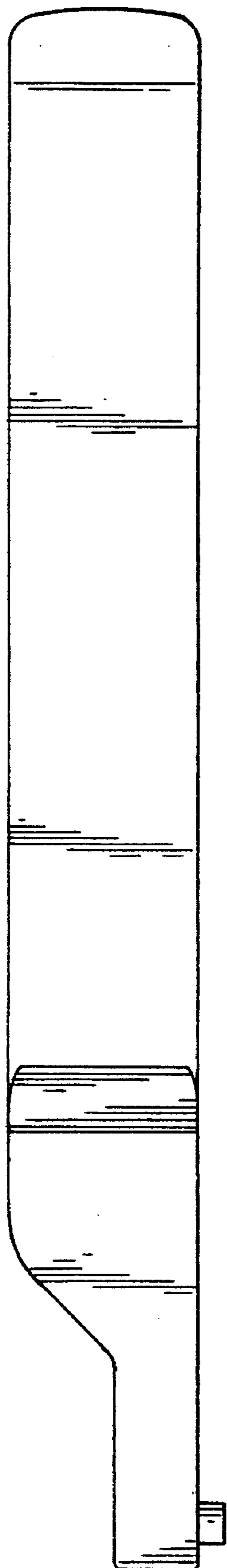


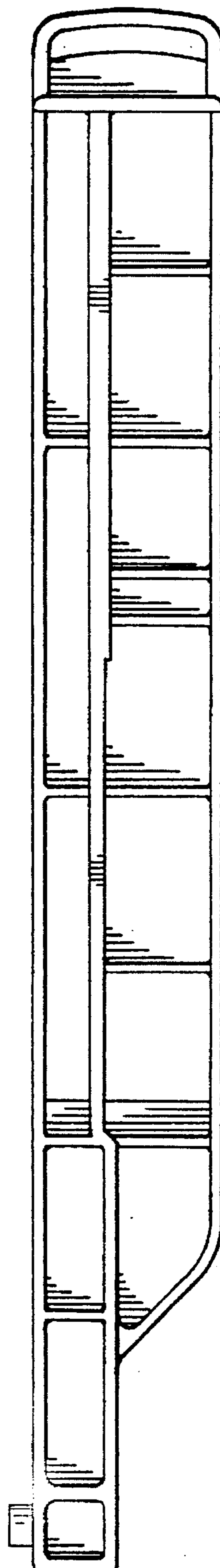
FIG. 4



*FIG. 6*



*FIG. 7*



*FIG. 8*

