



US00D376058S

United States Patent [19]

Fard

[11] Patent Number: **Des. 376,058**

[45] Date of Patent: ****Dec. 3, 1996**

[54] **PRODUCT DISPLAY HOLDER**

3,699,745 10/1972 Reid 211/13
4,673,089 6/1987 Chap 211/71

[75] Inventor: **Kambiz H. Fard**, New York, N.Y.

[73] Assignee: **Fila U.S.A., Inc.**, Hunt Valley, Md.

[**] Term: **14 Years**

Primary Examiner—James M. Gandy
Assistant Examiner—Linda Brooks
Attorney, Agent, or Firm—Fish & Richardson P.C.

[21] Appl. No.: **45,471**

[57] **CLAIM**

[22] Filed: **Oct. 20, 1995**

The ornamental design for a product display holder, as shown and described.

[52] U.S. Cl. **D6/462**

DESCRIPTION

[58] Field of Search D6/462, 463; D19/75;
211/13, 27, 71, 107, 112, 113, 133, 175,
181, 189, 205; D20/10; 220/495; 248/125.1,
152, 153, 175, 220.31, 300, 302, 303, 309.1,
311.2, 327, 346.03, 346.3; 40/592

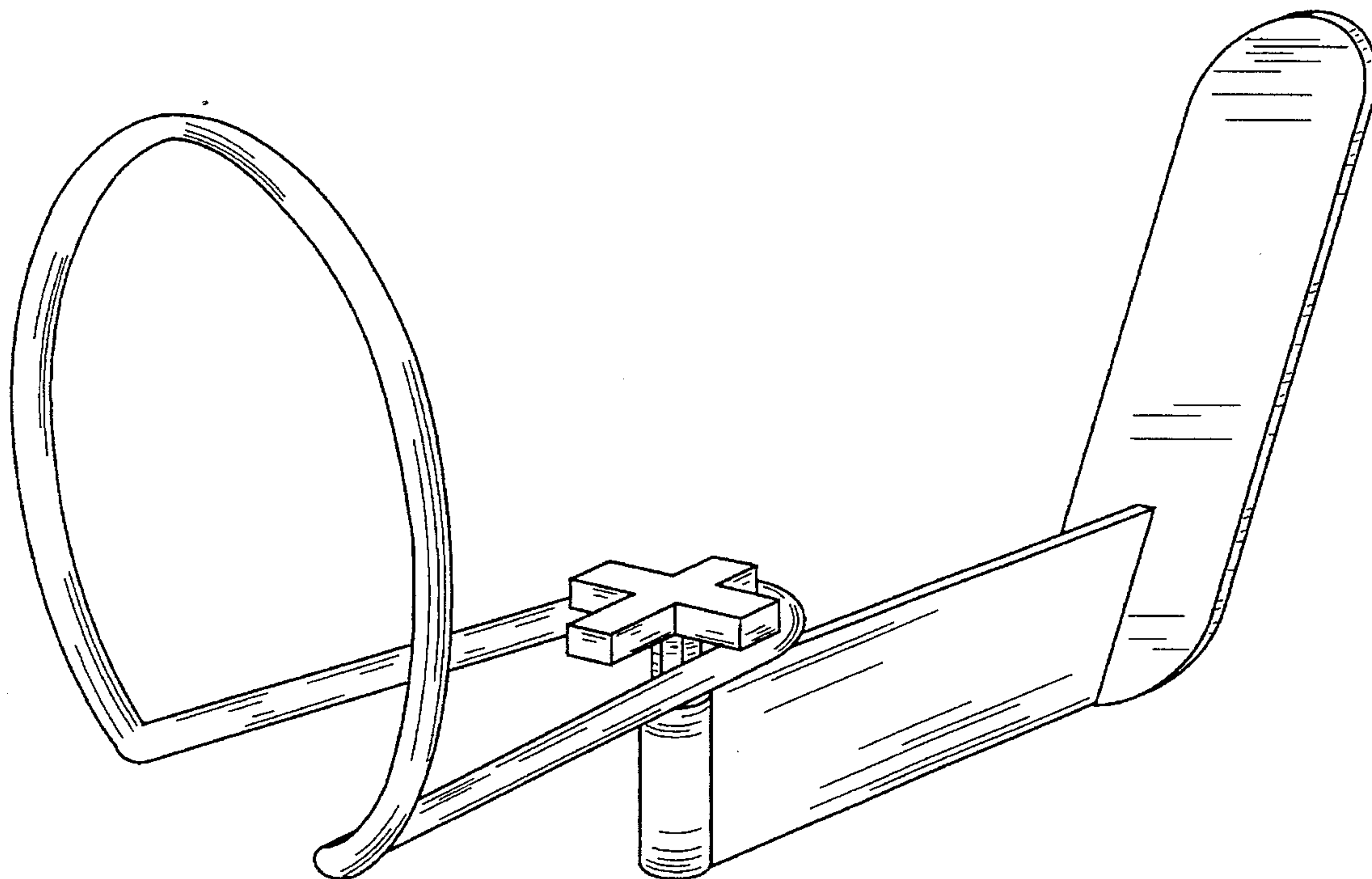
FIG. 1 is a perspective view of a product display holder showing my new design;
FIG. 2 is a side view thereof, the opposite side being a mirror image;
FIG. 3 is a top view thereof;
FIG. 4 is a bottom view thereof;
FIG. 5 is a front view thereof; and,
FIG. 6 is a rear view thereof.

[56] **References Cited**

U.S. PATENT DOCUMENTS

D. 309,917 8/1990 Beirise et al. D19/75 X
D. 320,332 10/1991 Fetty D6/462 X
3,532,225 10/1970 Reed 248/175 X

1 Claim, 4 Drawing Sheets



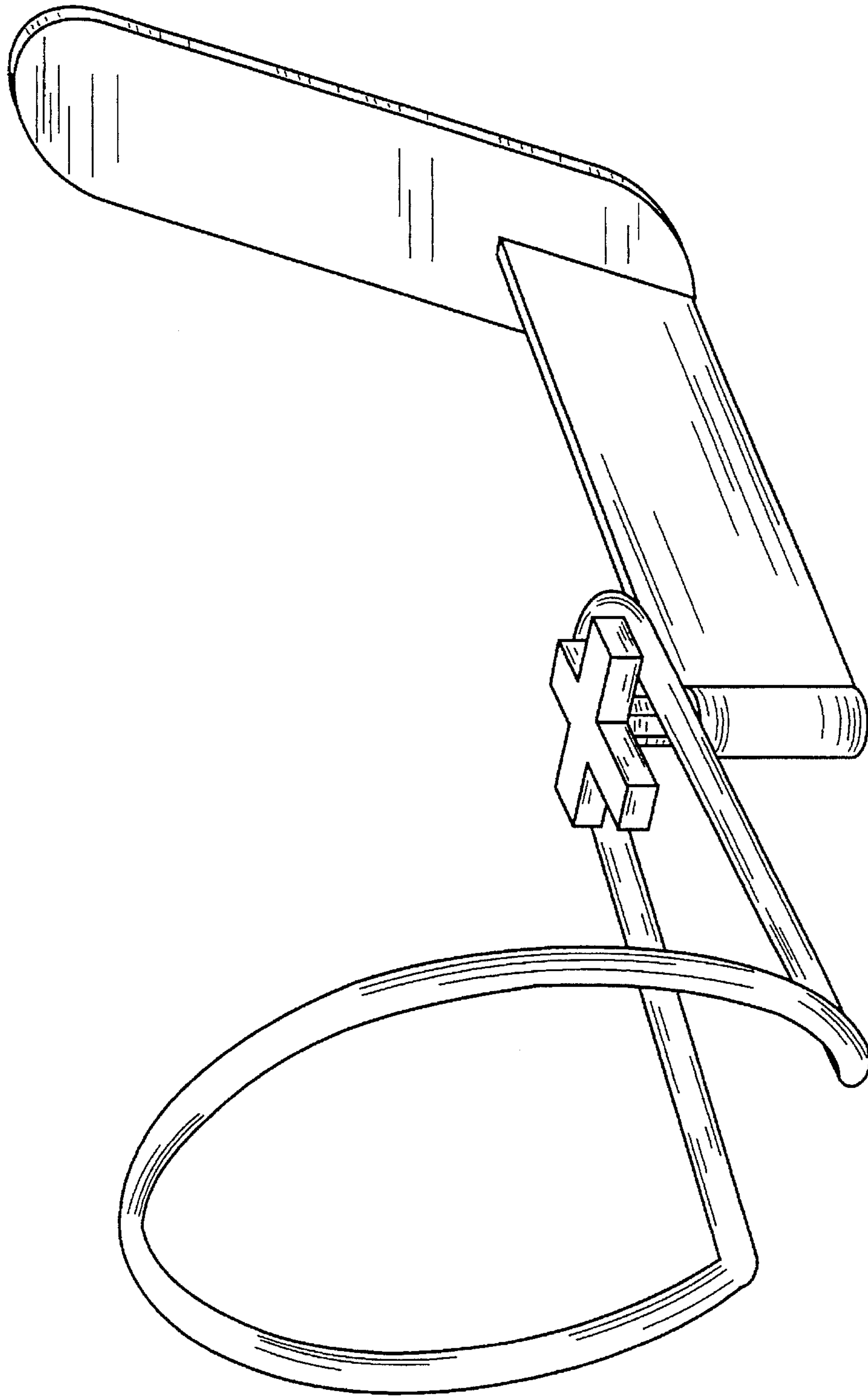


FIG. 1

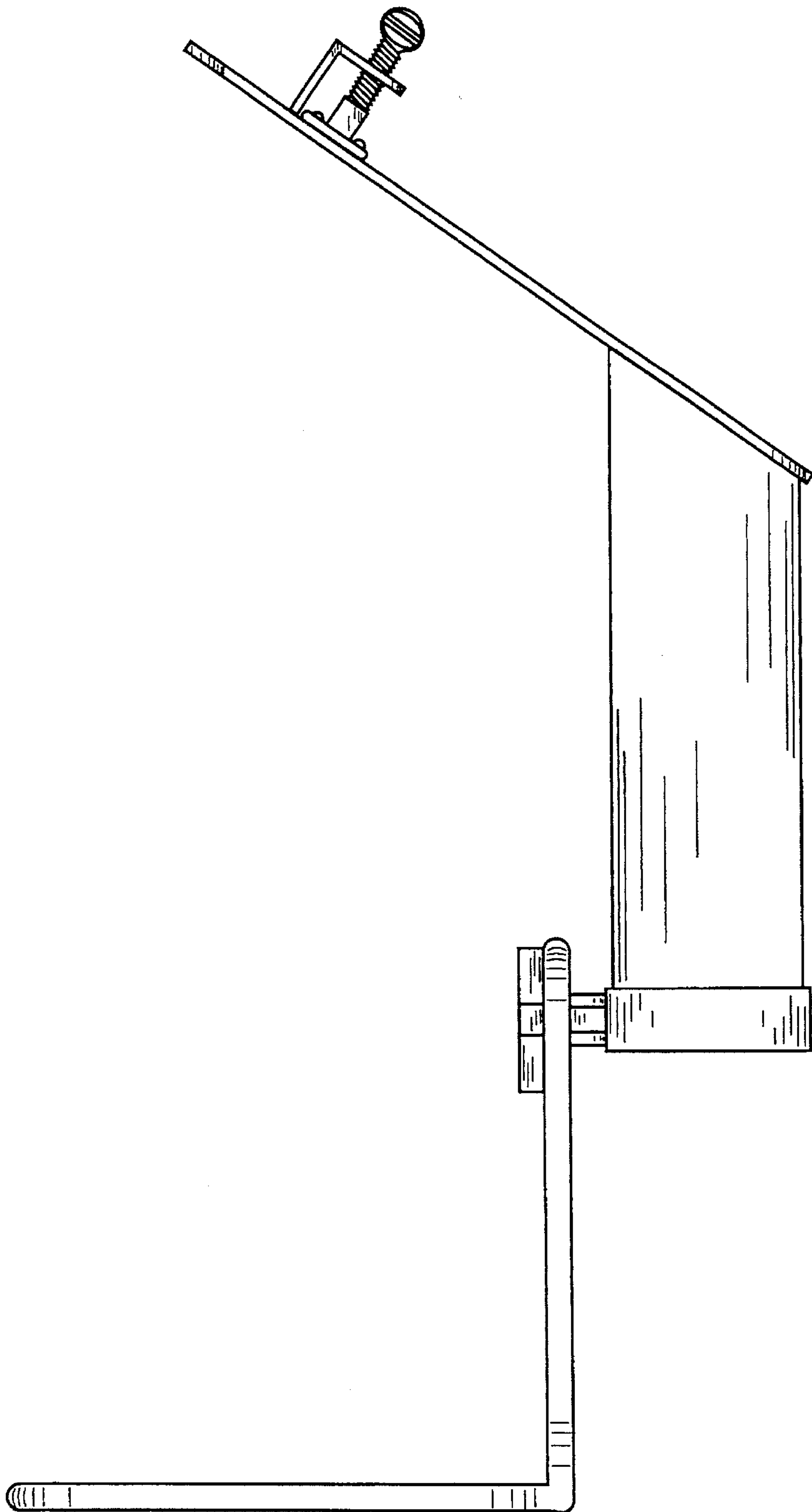


FIG. 2

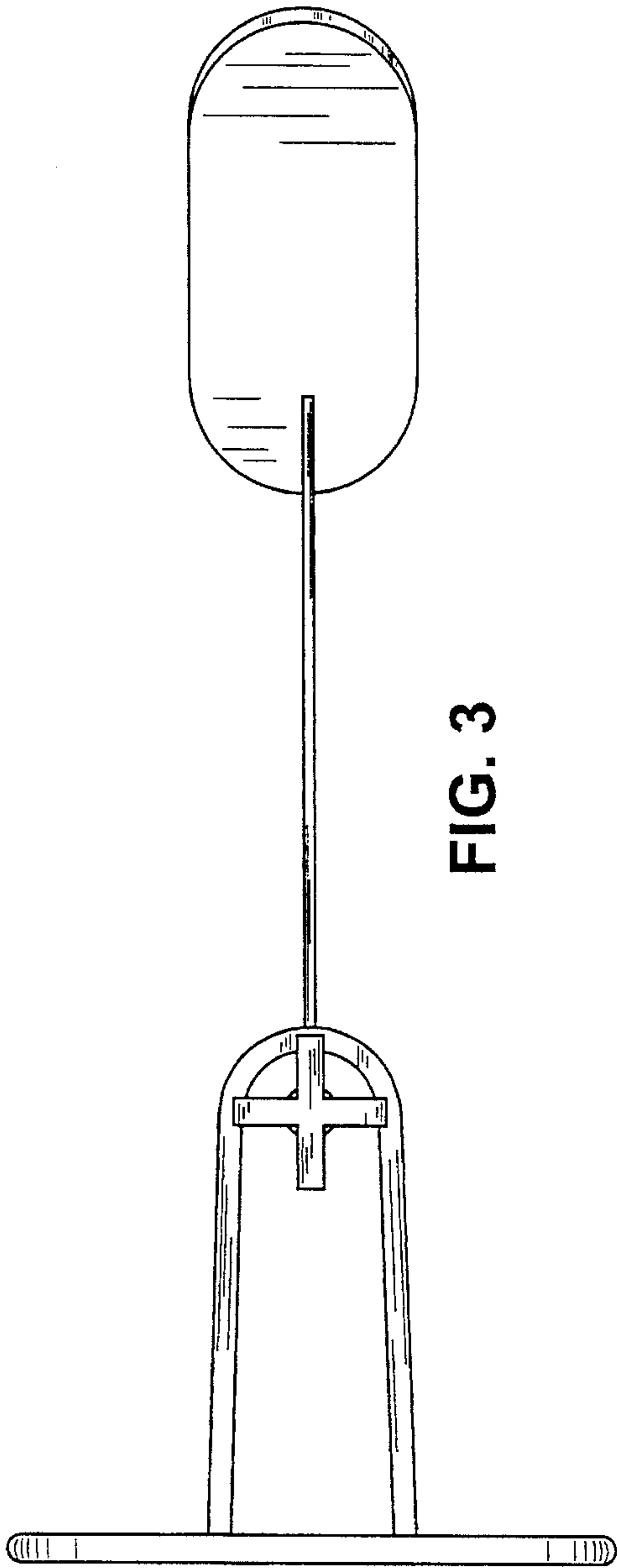


FIG. 3

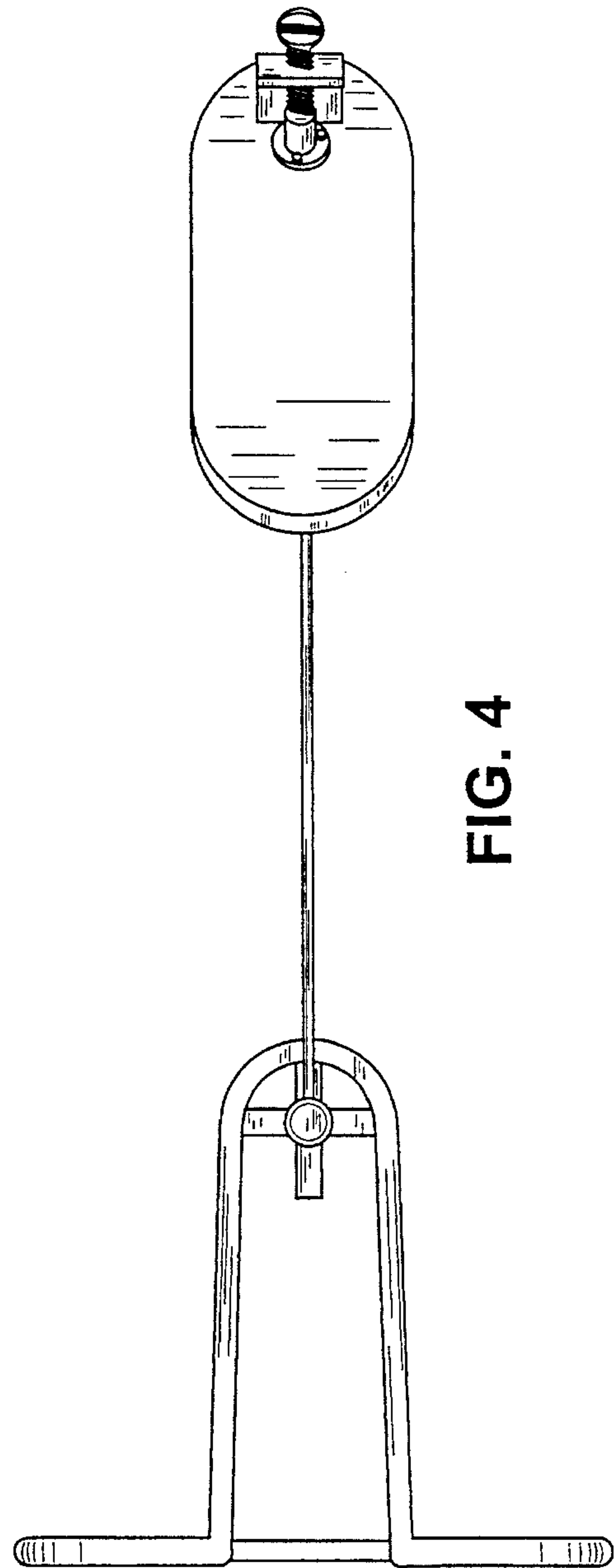


FIG. 4

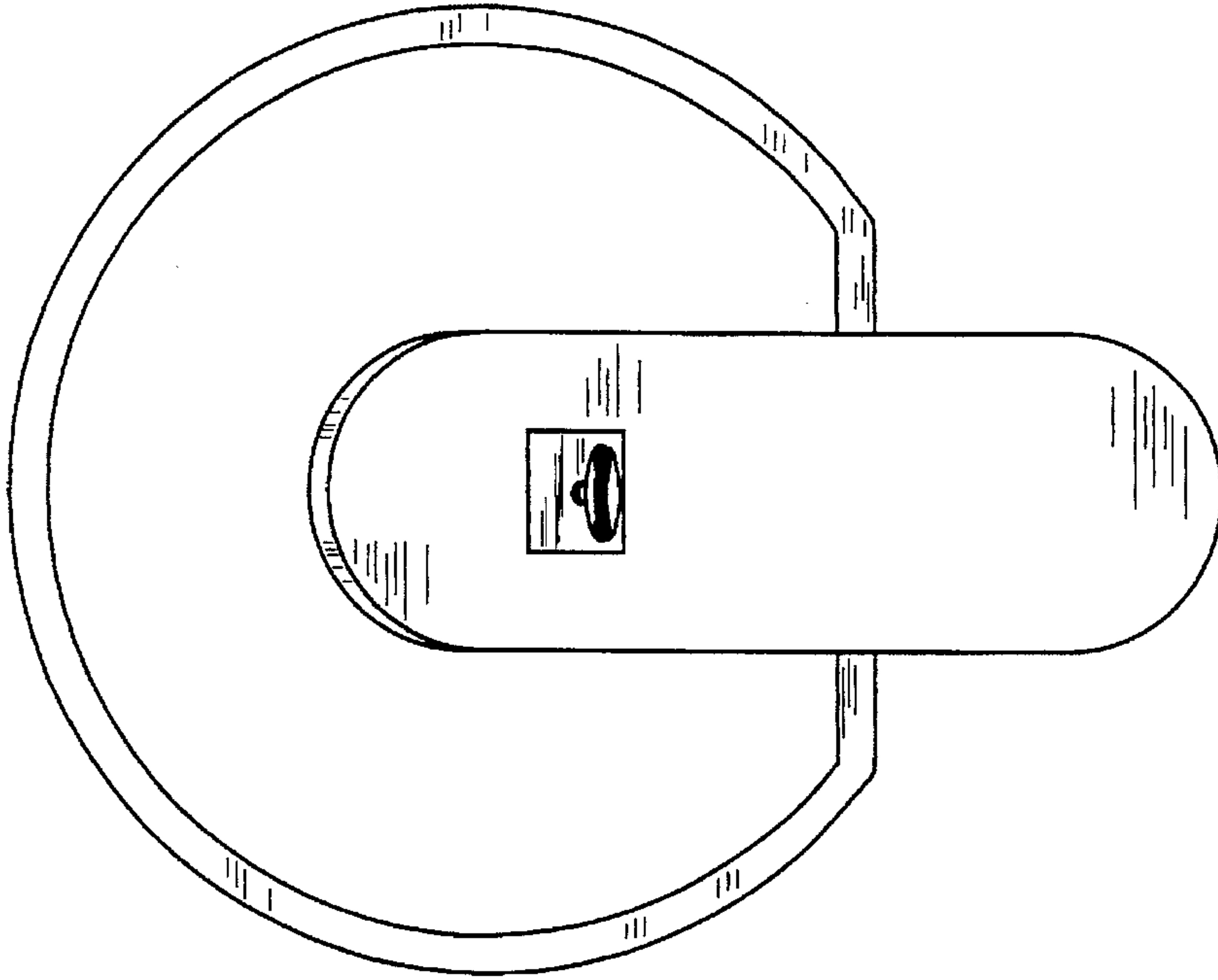


FIG. 6

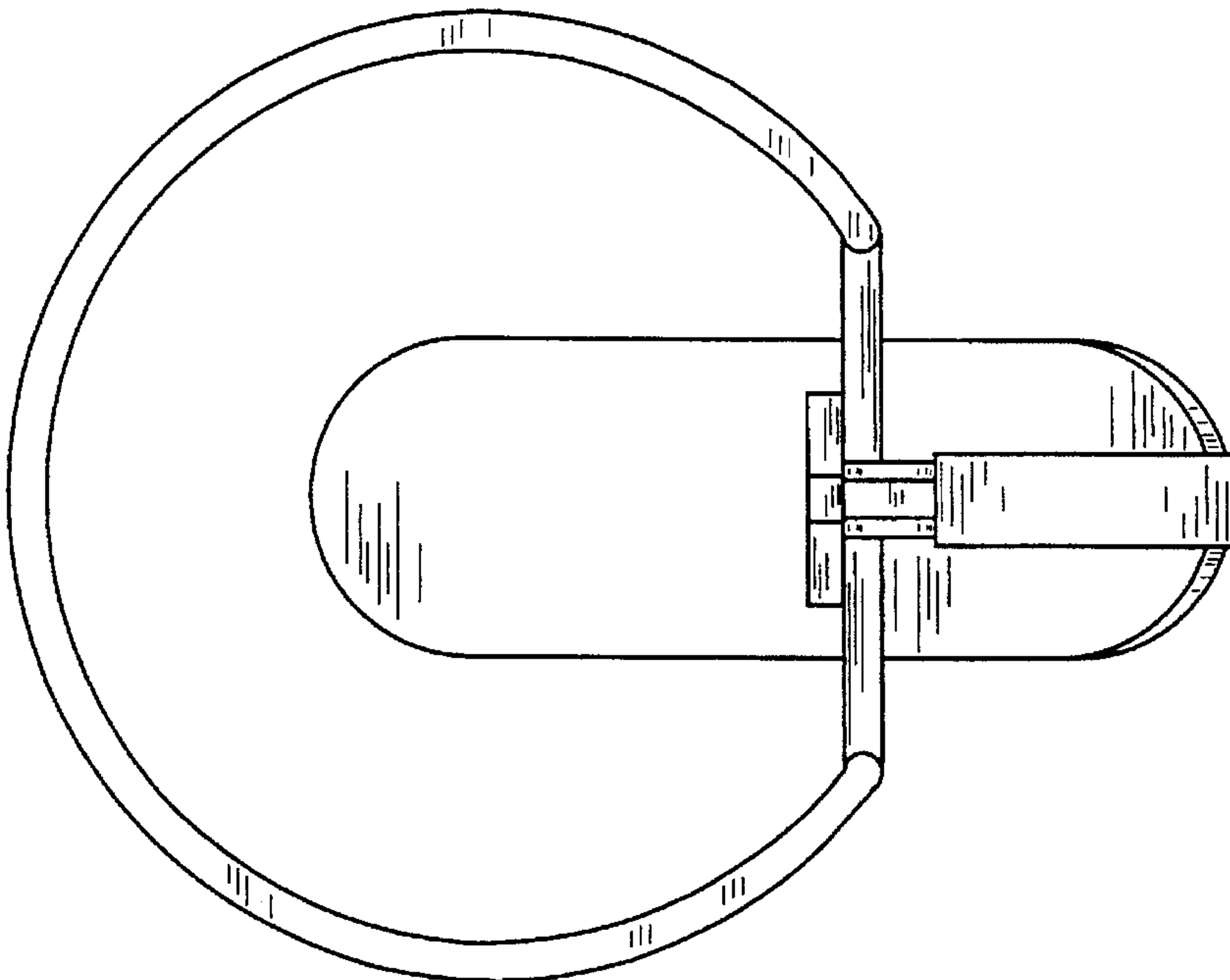


FIG. 5