



US00D376057S

# United States Patent [19]

Brunner et al.

[11] Patent Number: **Des. 376,057**

[45] Date of Patent: **\*\*Dec. 3, 1996**

[54] **CHEST**

[75] Inventors: **Merlin A. Brunner**, Appleton; **Harvey J. Draheim**, Weyauwega, both of Wis.

[73] Assignee: **Simmons Juvenile Products, Company, Inc.**, New London, Wis.

[\*\*] Term: **14 Years**

[21] Appl. No.: **38,733**

[22] Filed: **May 12, 1995**

[52] U.S. Cl. .... **D6/445**

[58] Field of Search ..... D6/432-448; 312/204, 312/257

[56] **References Cited**

**U.S. PATENT DOCUMENTS**

D. 272,210	1/1984	Brunner et al. ....	D6/446
D. 274,963	8/1984	Brunner et al. ....	D6/446
D. 357,602	4/1995	Brunner et al. ....	D6/446

**OTHER PUBLICATIONS**

*Wards F/W* 1974 p. 1272, 3-Drawer Dresser Item #8 bottom center of page.

Simmons 'Little Folks'. 1985 Cat #94, p. 21; Chest #4204 left on page.

Simmons 'Little Folks' 1988 Cat #94, p. 19; Chest #4304 on page.

Simmons 'Little Folk' 1988 Cat #97, p. 23; Chest #4904 on page.

The Encyclopedia of Furniture 3rd Edition ©1965, p. 119 #370 Louis XV Marquetry Bombé Chest on Stand.

*Primary Examiner*—Carmen H. Vales-Lado  
*Attorney, Agent, or Firm*—Hoffmann & Baron

[57] **CLAIM**

The ornamental design for a chest, as shown and described.

**DESCRIPTION**

FIG. 1 is a top perspective view of a chest showing our new design;

FIG. 2 is a top plan view thereof;

FIG. 3 is a front elevation view thereof;

FIG. 4 is a side elevation view thereof, the opposite side being a mirror image thereof;

FIG. 5 is a rear elevation view thereof;

FIG. 6 is a bottom plan view thereof;

FIG. 7 is an enlarged sectional view taken along line 7—7 of FIG. 3;

FIG. 8 is an enlarged sectional view taken along line 8—8 of FIG. 3; and,

FIG. 9 is an enlarged sectional view taken along line 9—9 of FIG. 3.

**1 Claim, 6 Drawing Sheets**

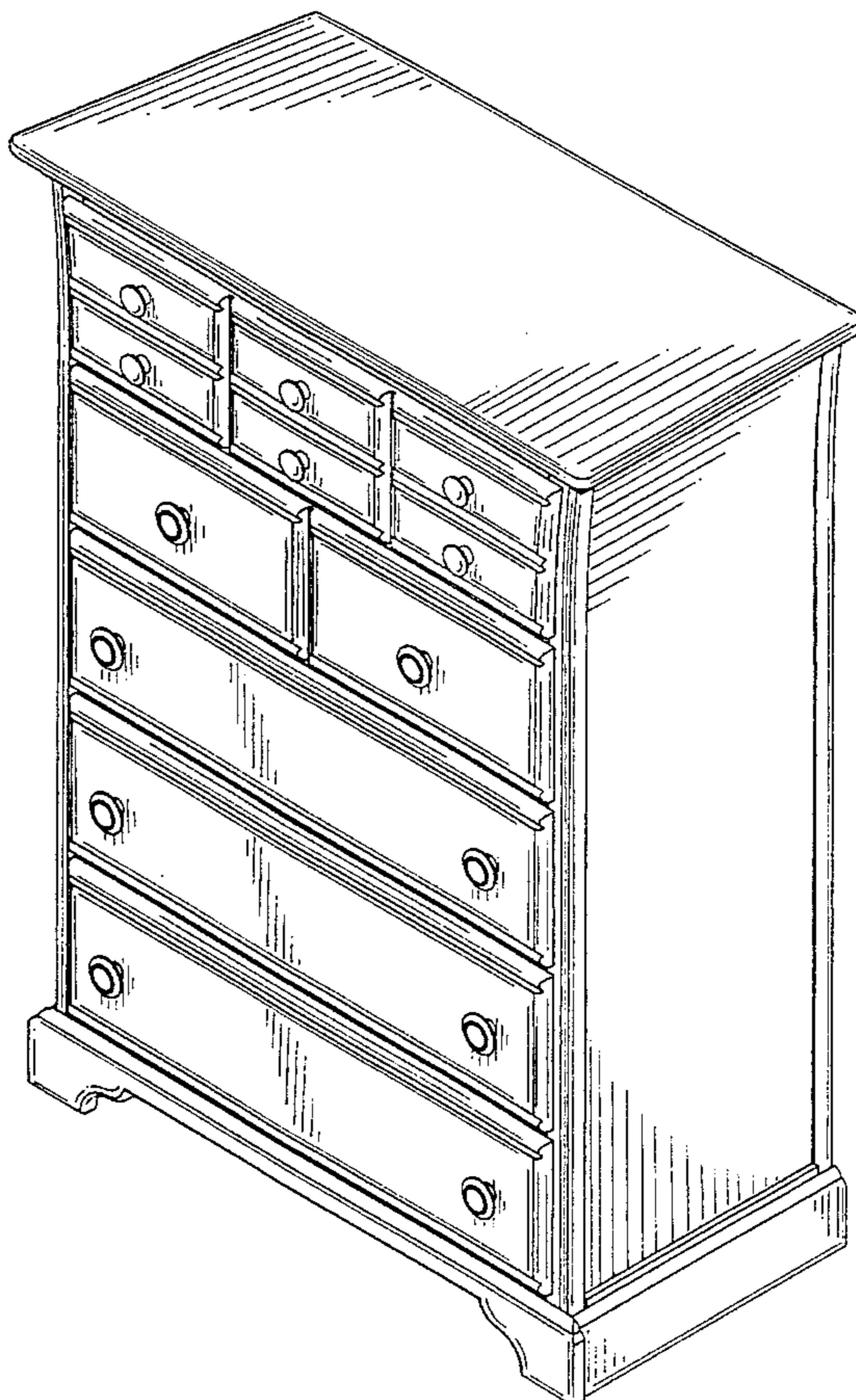


FIG-1

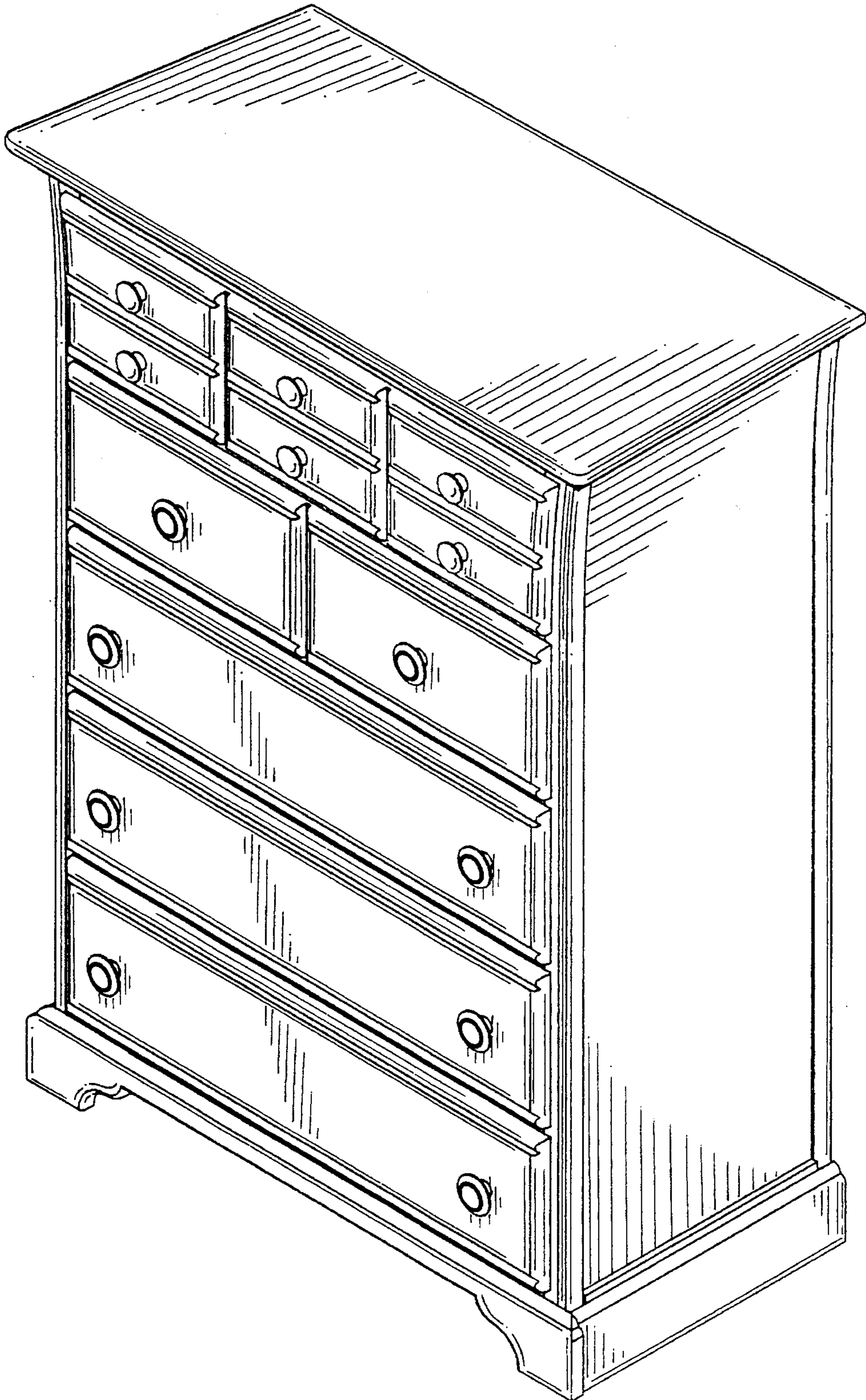


FIG-2

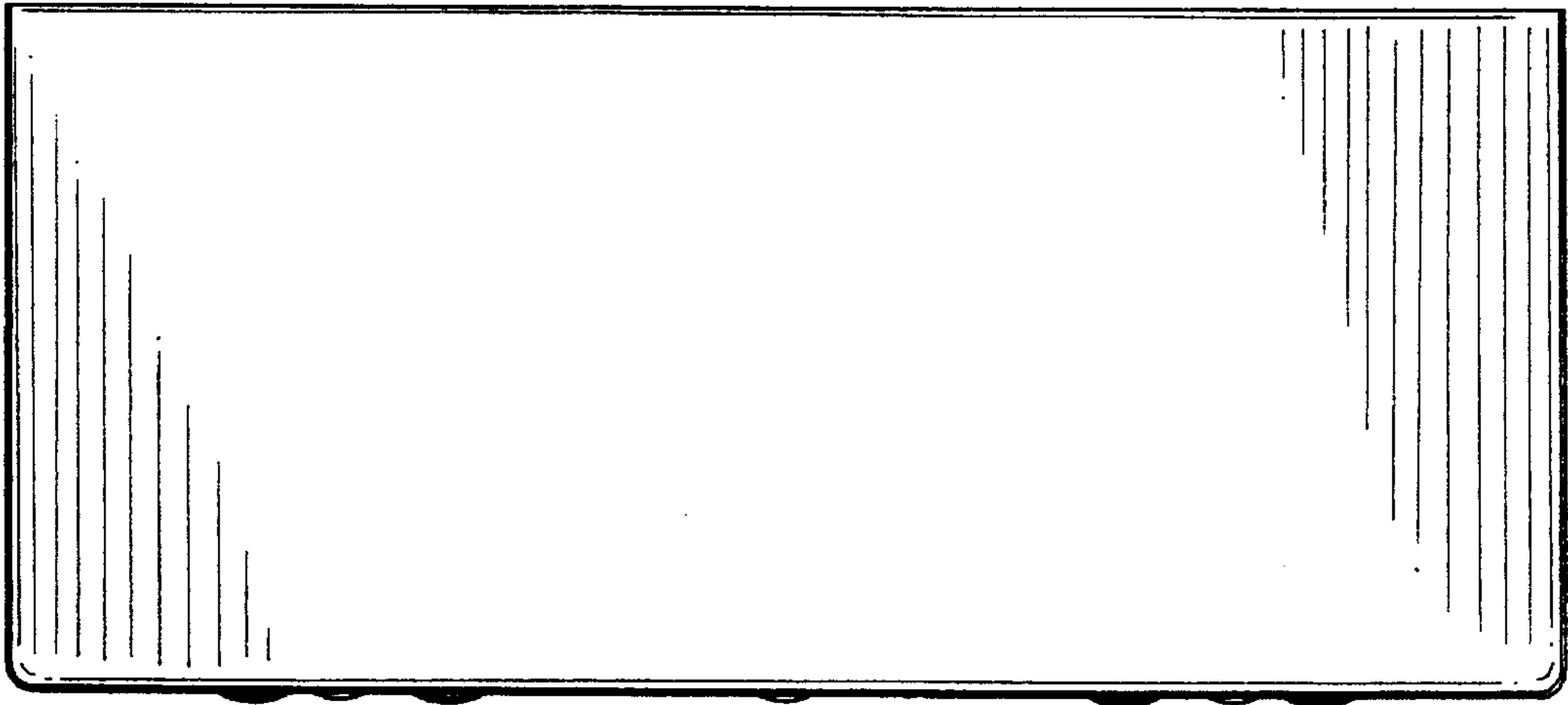


FIG-6

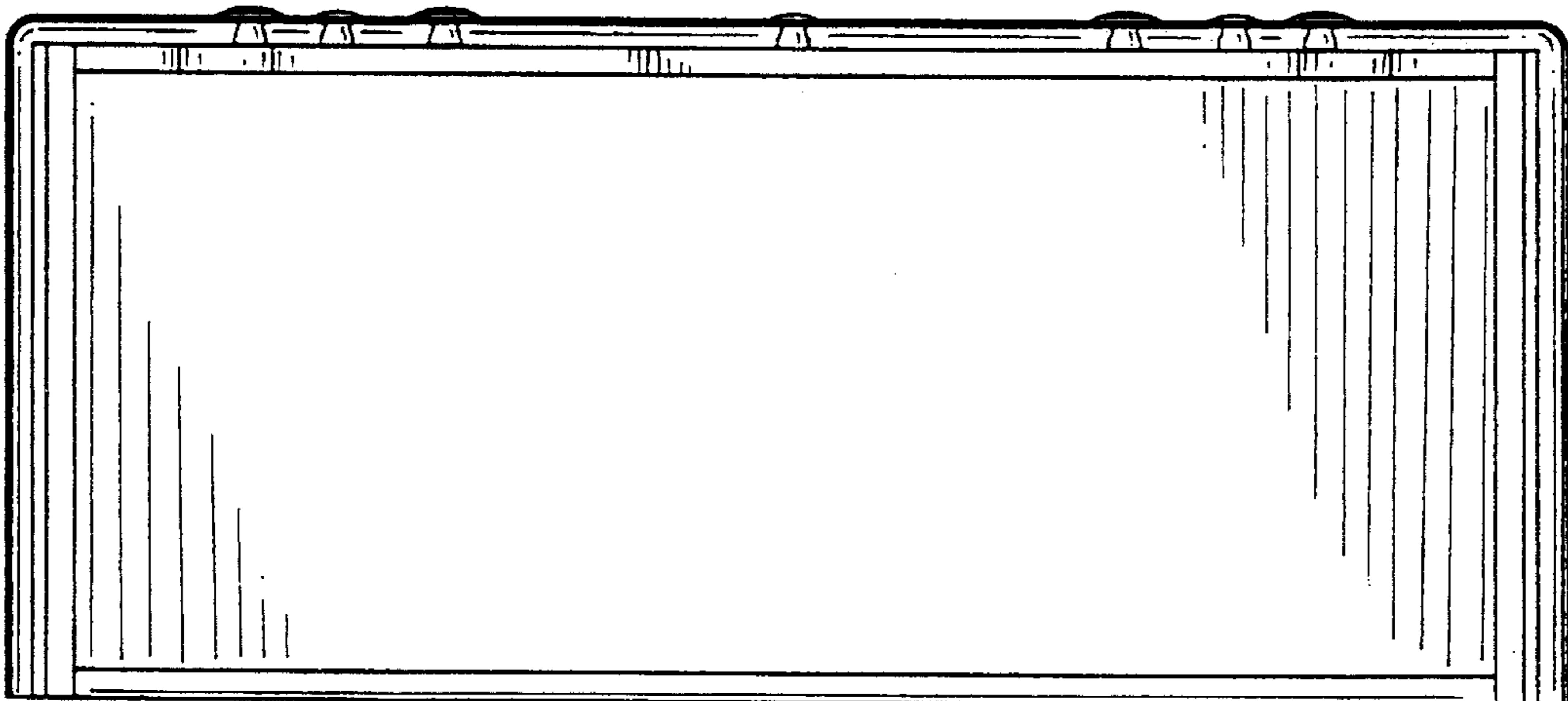


FIG-3

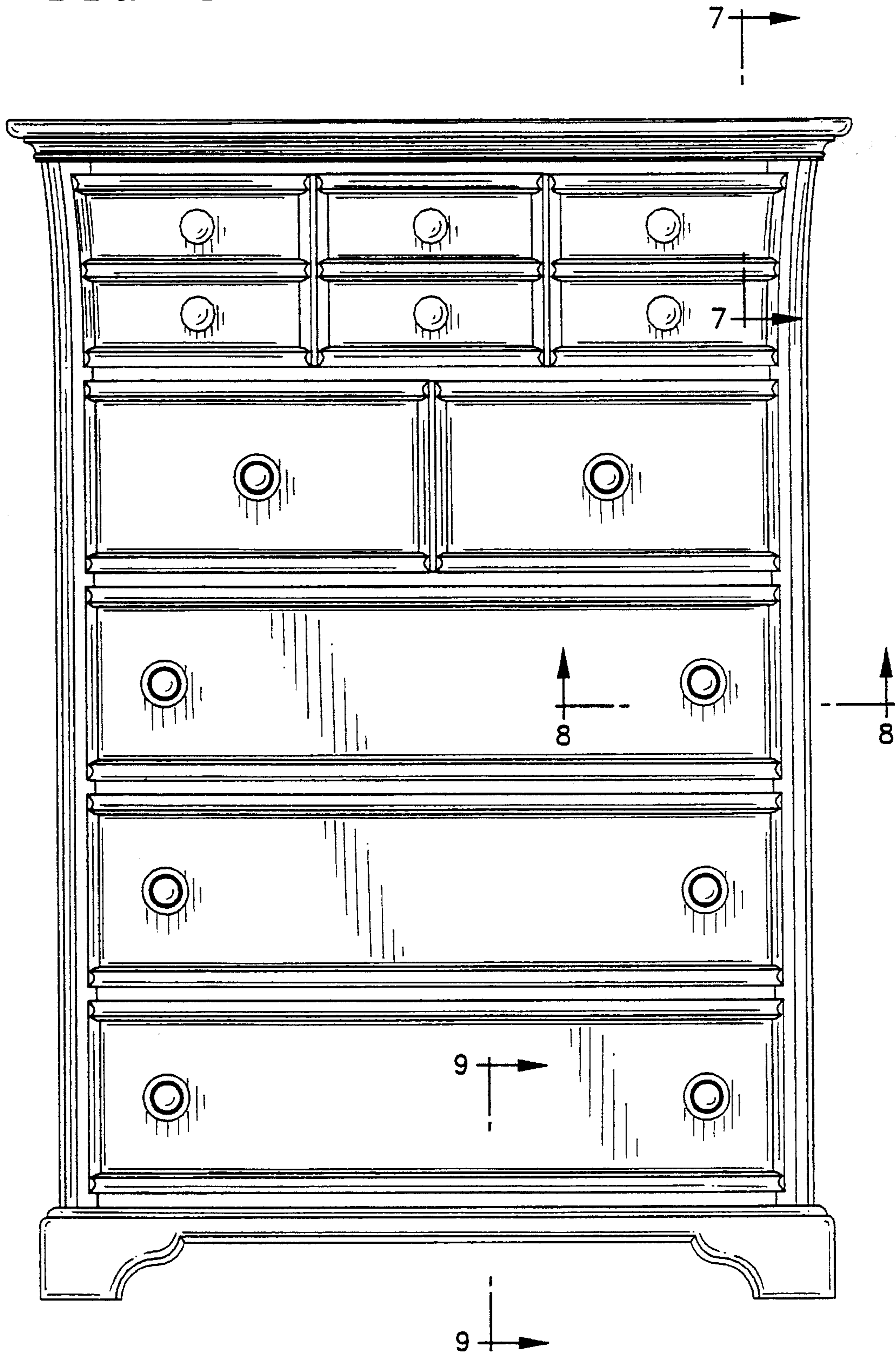


FIG-4

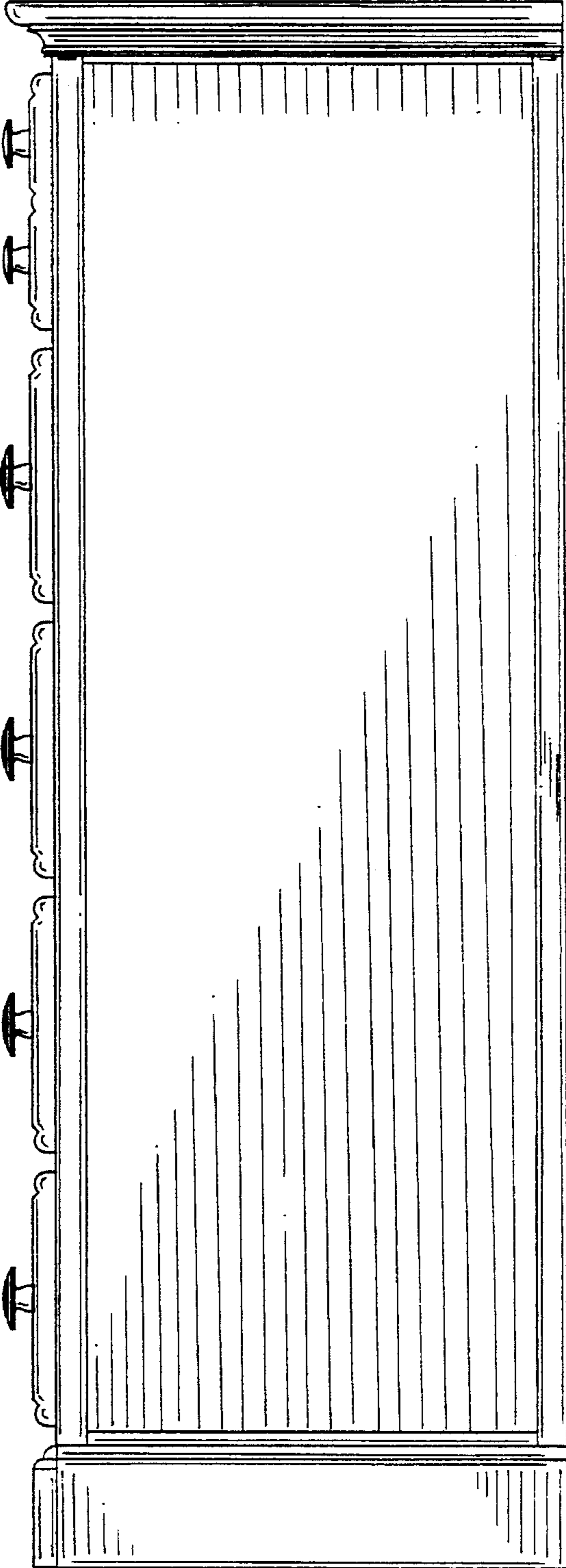


FIG-5

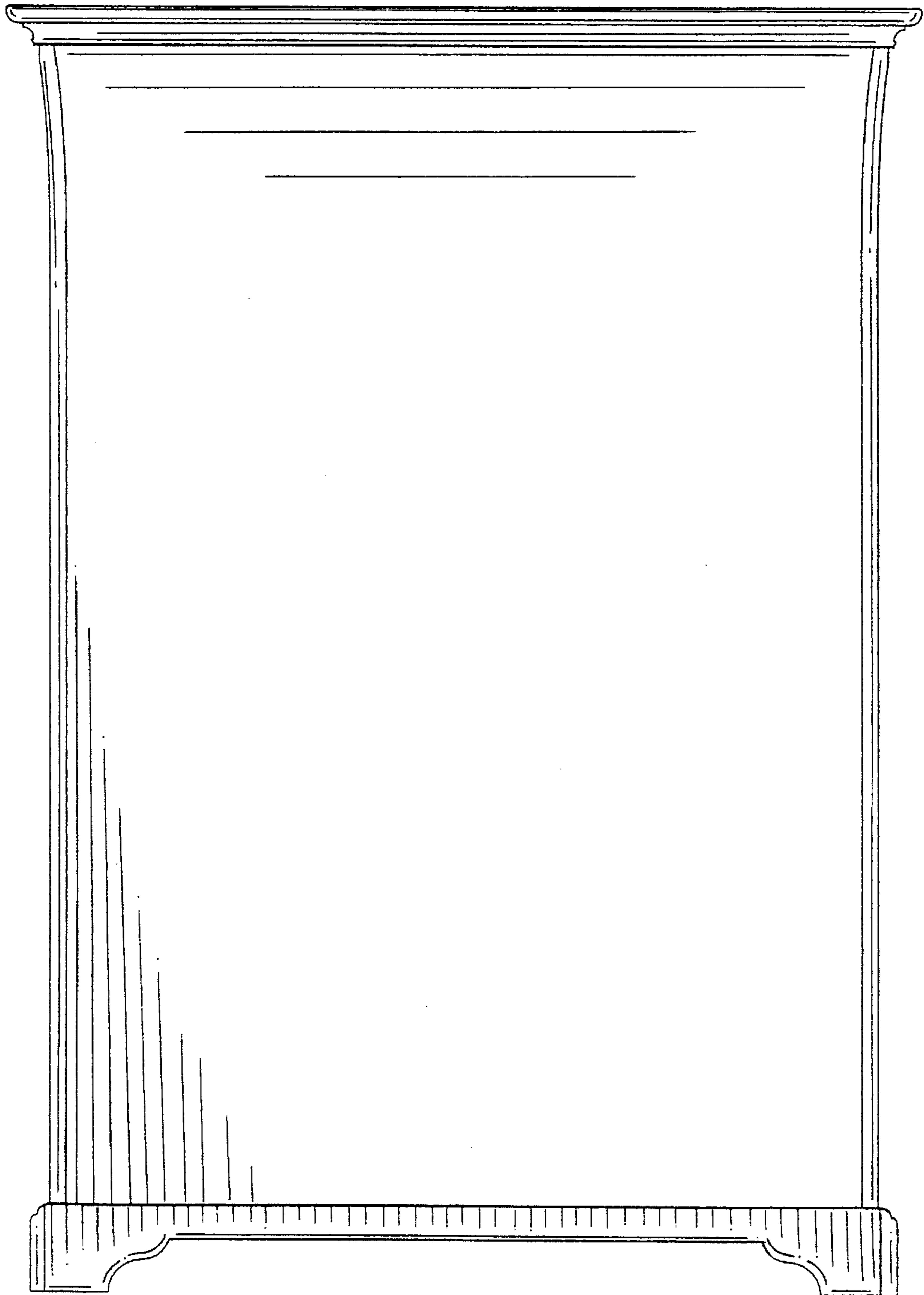


FIG-7

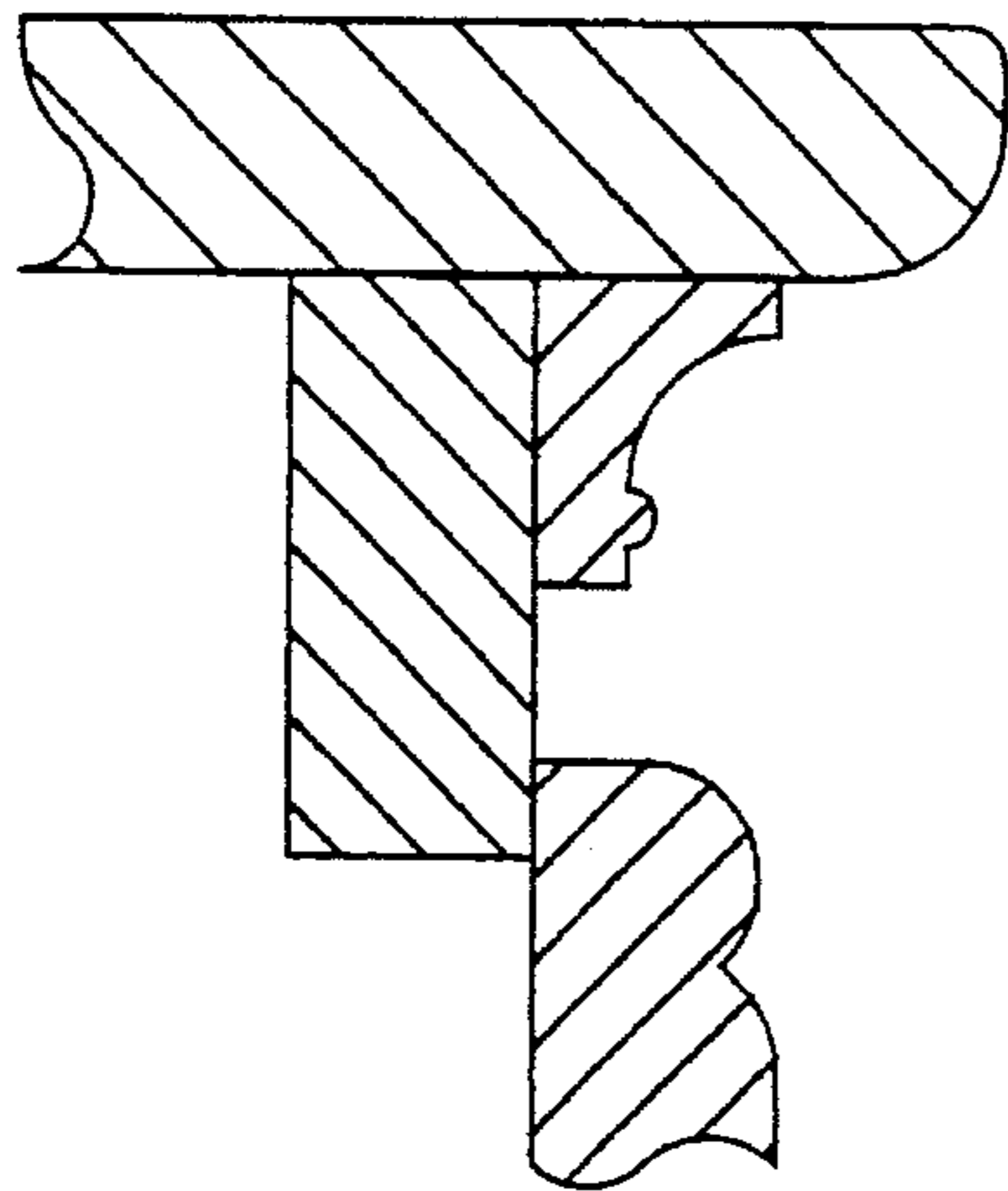


FIG-8

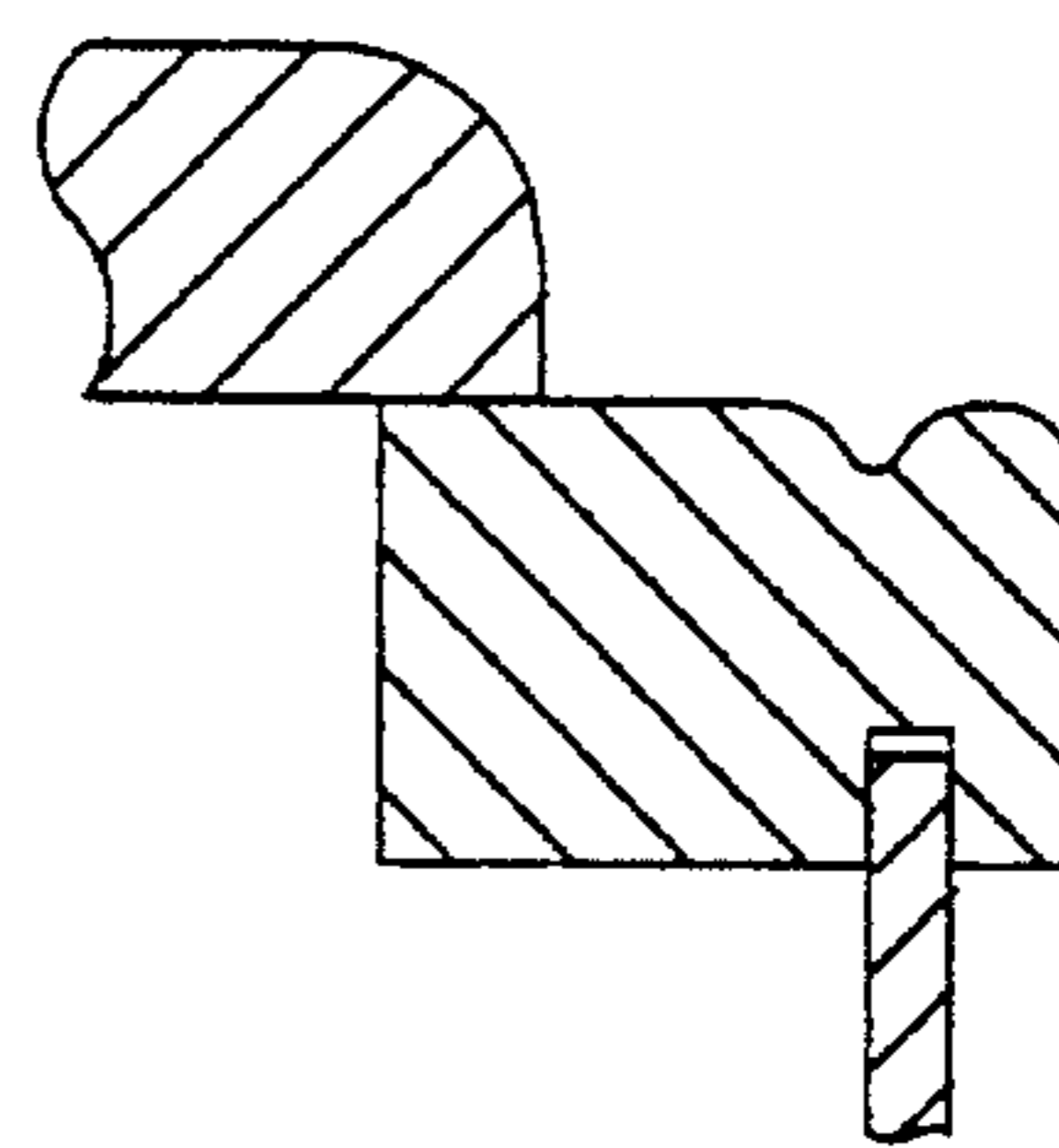


FIG-9

