



US00D376047S

United States Patent [19]
O'Neil

[11] **Patent Number: Des. 376,047**

[45] **Date of Patent: **Dec. 3, 1996**

[54] **IN-LINE SKATE HANGER**

[76] Inventor: **Kevin M. O'Neil**, 4560 W. Arm Rd.,
Spring Park, Minn. 55384

[**] Term: **14 Years**

[21] Appl. No.: **45,023**

[22] Filed: **Oct. 5, 1995**

[52] **U.S. Cl.** **D3/317**

[58] **Field of Search** D3/317; D6/315,
D6/316, 512, 513, 552; 211/34, 35; 294/162,
165

[56] **References Cited**

U.S. PATENT DOCUMENTS

D. 201,112	5/1965	Stein	D6/315
D. 260,575	9/1981	Brown, Jr.	D3/317
D. 342,612	12/1993	McIntyre	D6/315
D. 353,717	12/1994	O'Neil	D6/315
D. 363,822	11/1995	O'Neil	D6/315
3,237,225	3/1966	Schleman	294/162 X
3,587,951	6/1971	Derouin	294/166
3,721,373	3/1973	Penniman	294/165 X
4,363,514	12/1982	Buffum	D3/317 X
4,733,897	3/1988	Schuetzberg	294/162
5,224,607	7/1993	Koresko	211/34

FOREIGN PATENT DOCUMENTS

231537 11/1959 Australia .

Primary Examiner—Doris V. Coles
Assistant Examiner—Catherine R. Oliver
Attorney, Agent, or Firm—Haugen and Nikolai, PA

[57] **CLAIM**

The ornamental design for the in-line skate hanger, as shown and described.

DESCRIPTION

FIG. 1 is a perspective view of an in-line skate hanger showing my new design;
FIG. 2 is a front elevational view thereof, with the rear view being a mirror image thereof;
FIG. 3 is a left side elevational view thereof;
FIG. 4 is a right side elevational view thereof;
FIG. 5 is a top plan view thereof;
FIG. 6 is a bottom plan view thereof;
FIG. 7 is a perspective view of an alternative embodiment;
FIG. 8 is a front elevational view thereof, with the rear view being a mirror image thereof;
FIG. 9 is a left side elevational view thereof;
FIG. 10 is a right side elevational view thereof;
FIG. 11 is a top plan view thereof; and,
FIG. 12 is a bottom plan view.

1 Claim, 4 Drawing Sheets

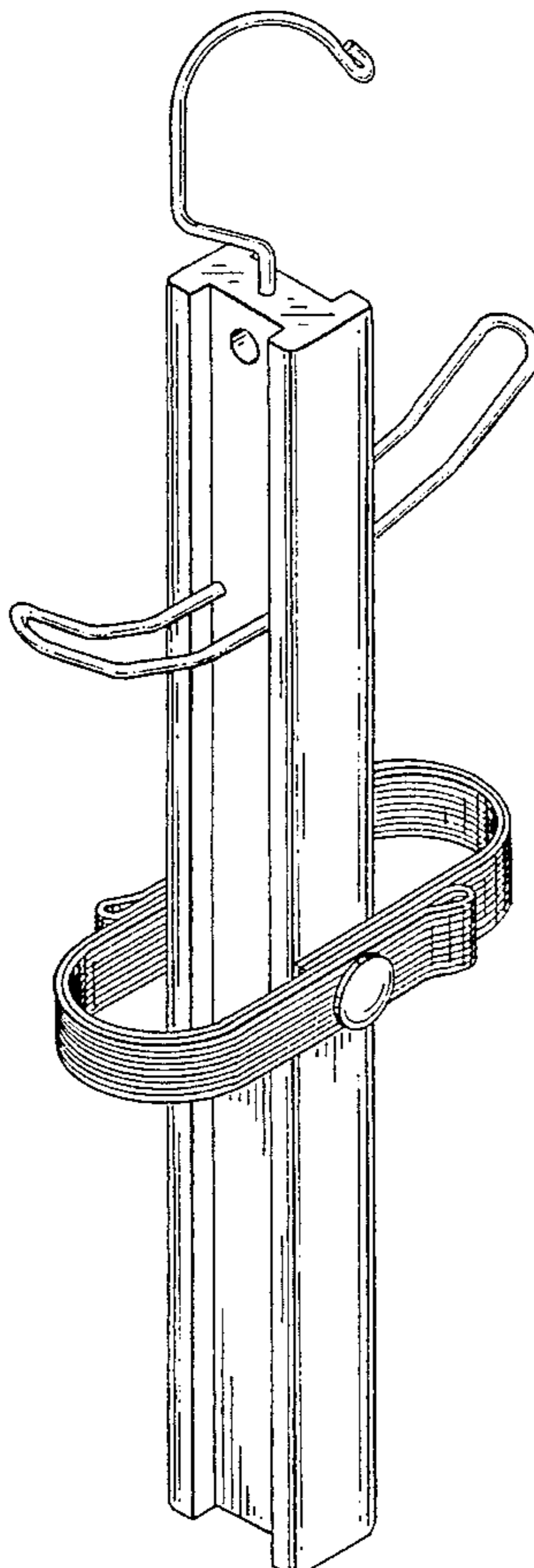


Fig.-1

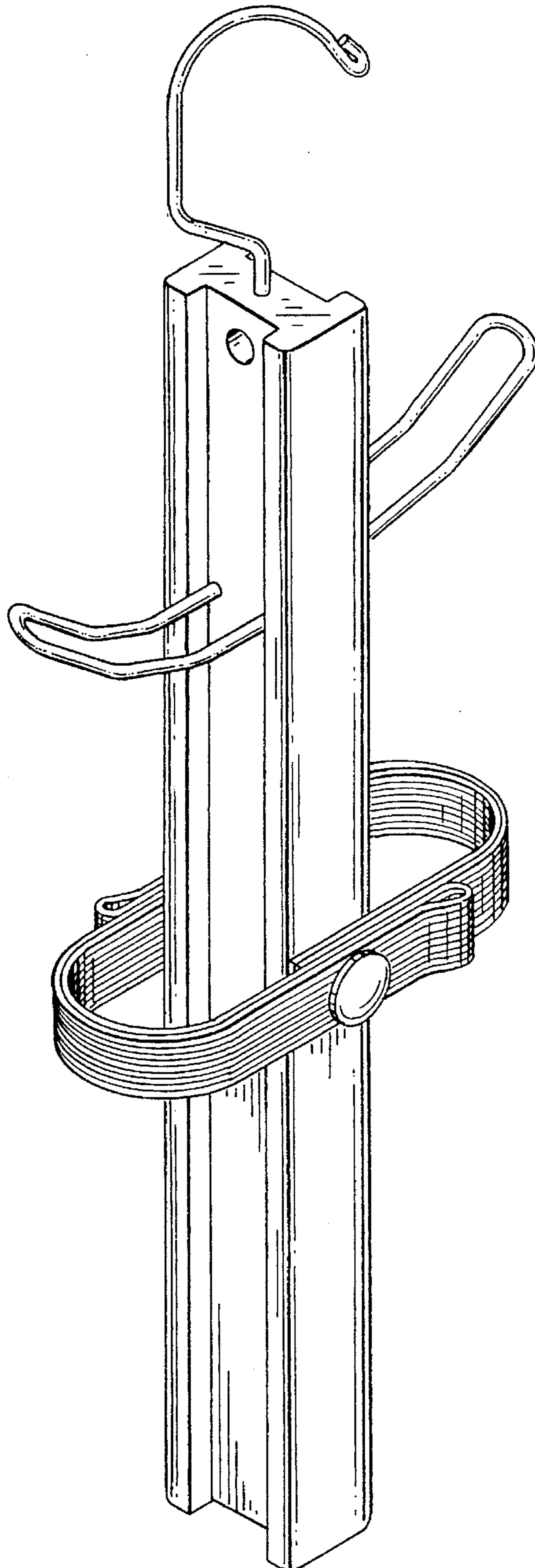


Fig.-2

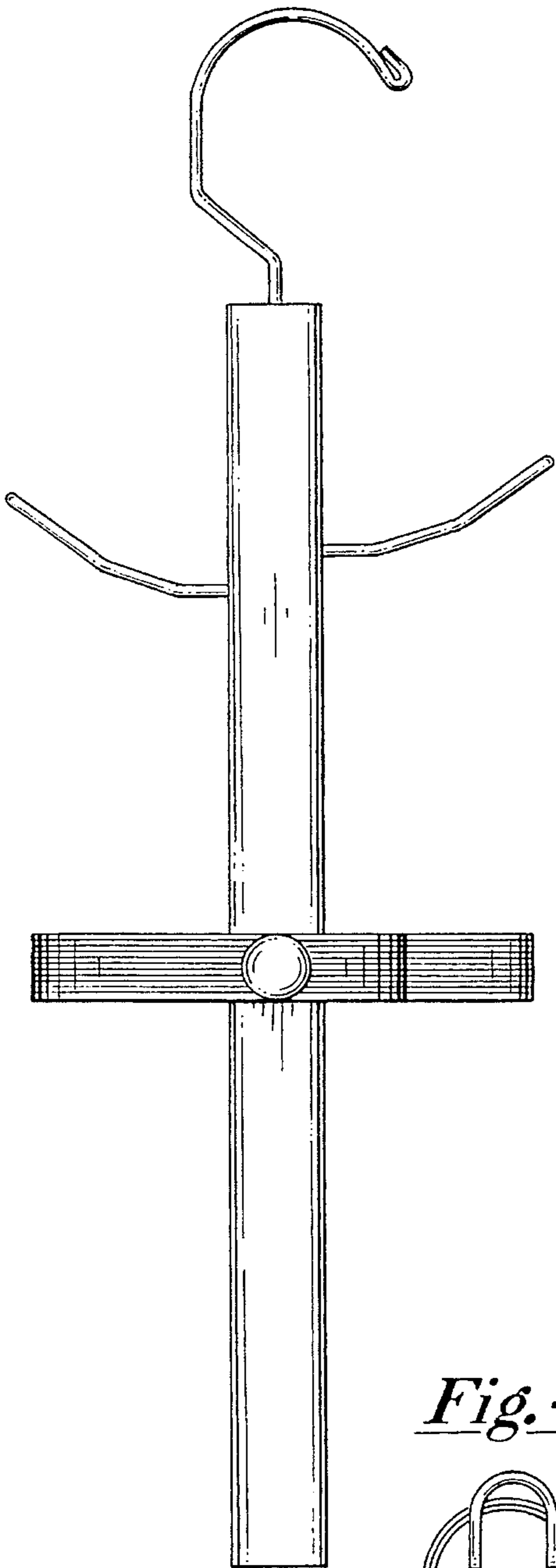


Fig.-3

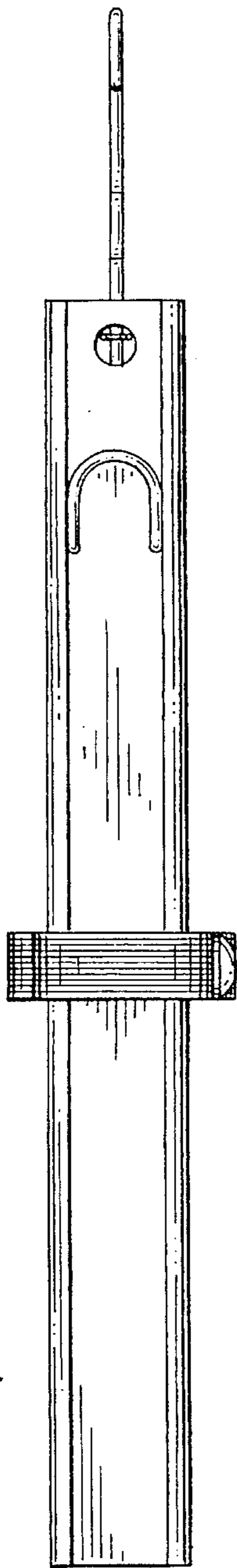


Fig.-4

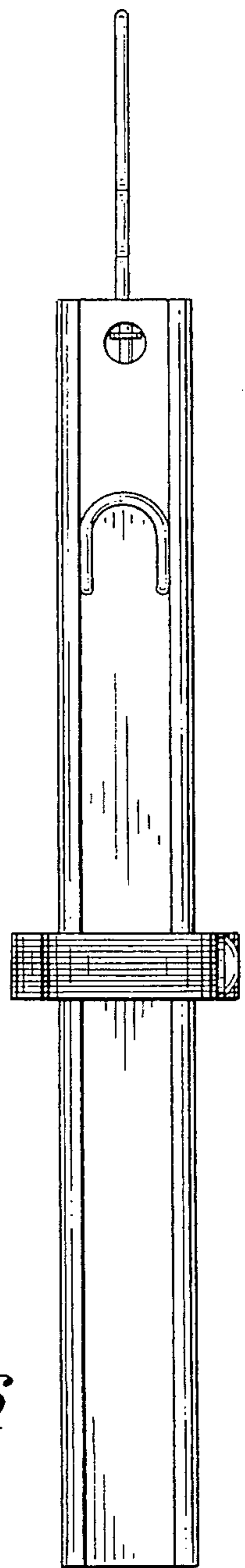


Fig.-5

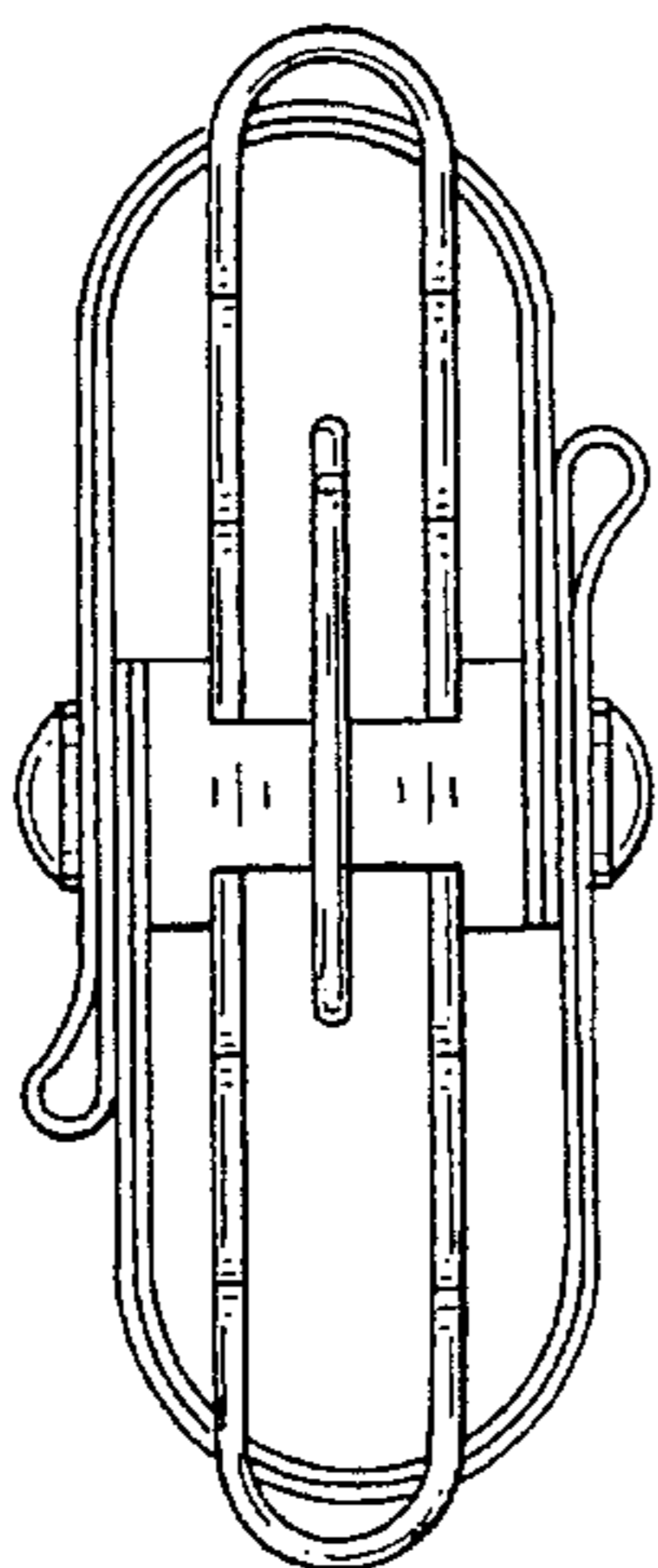


Fig.-6

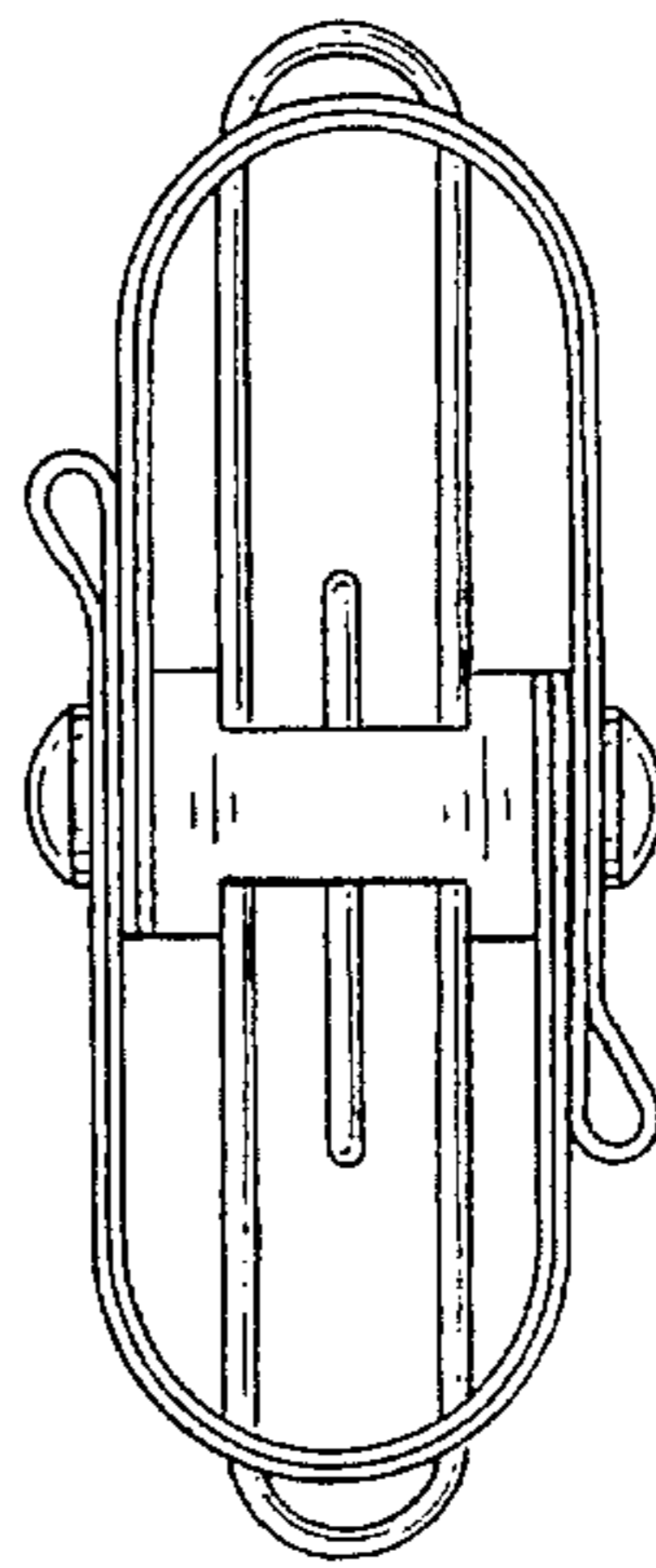


Fig. -7

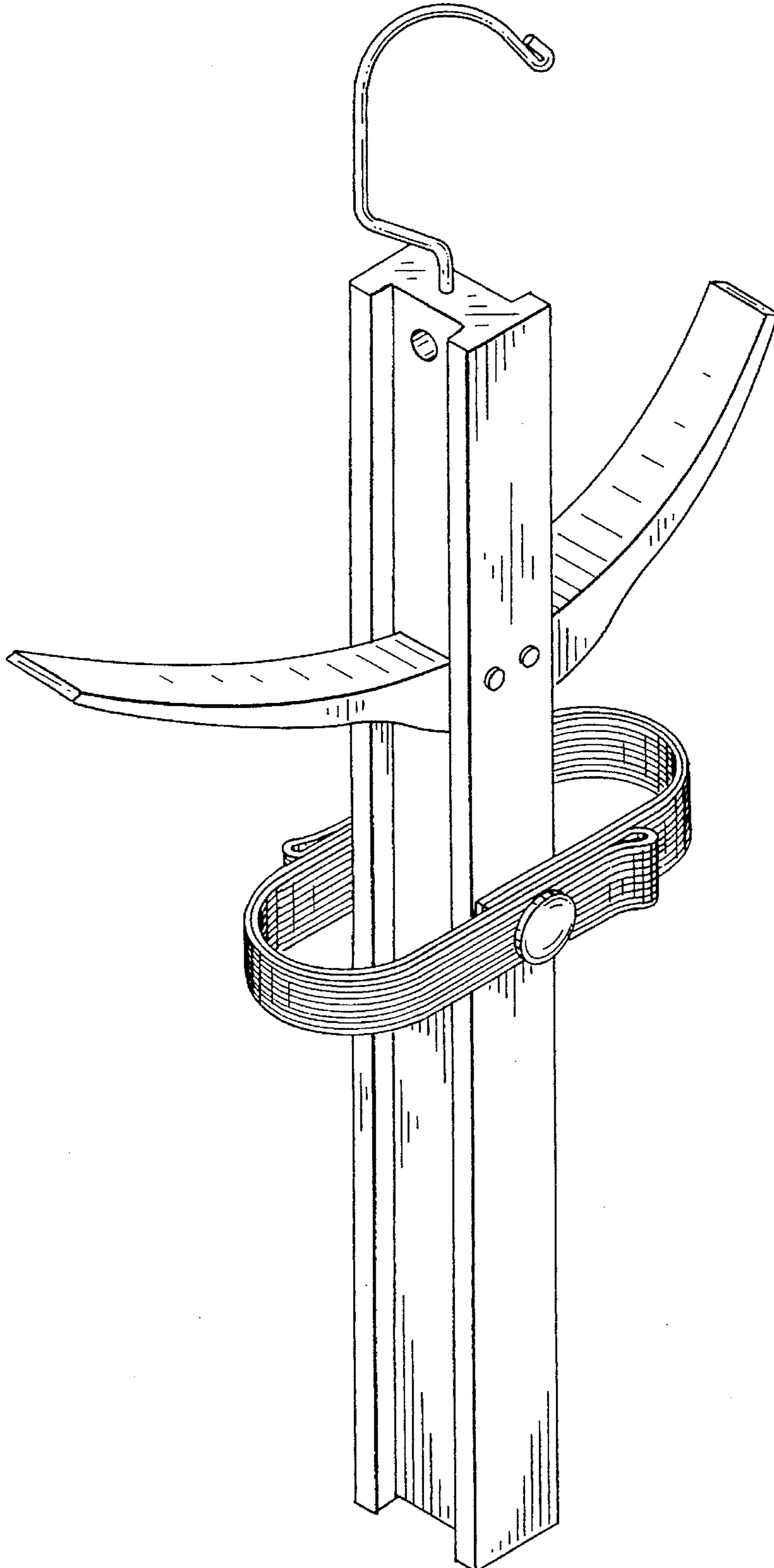


Fig.-8

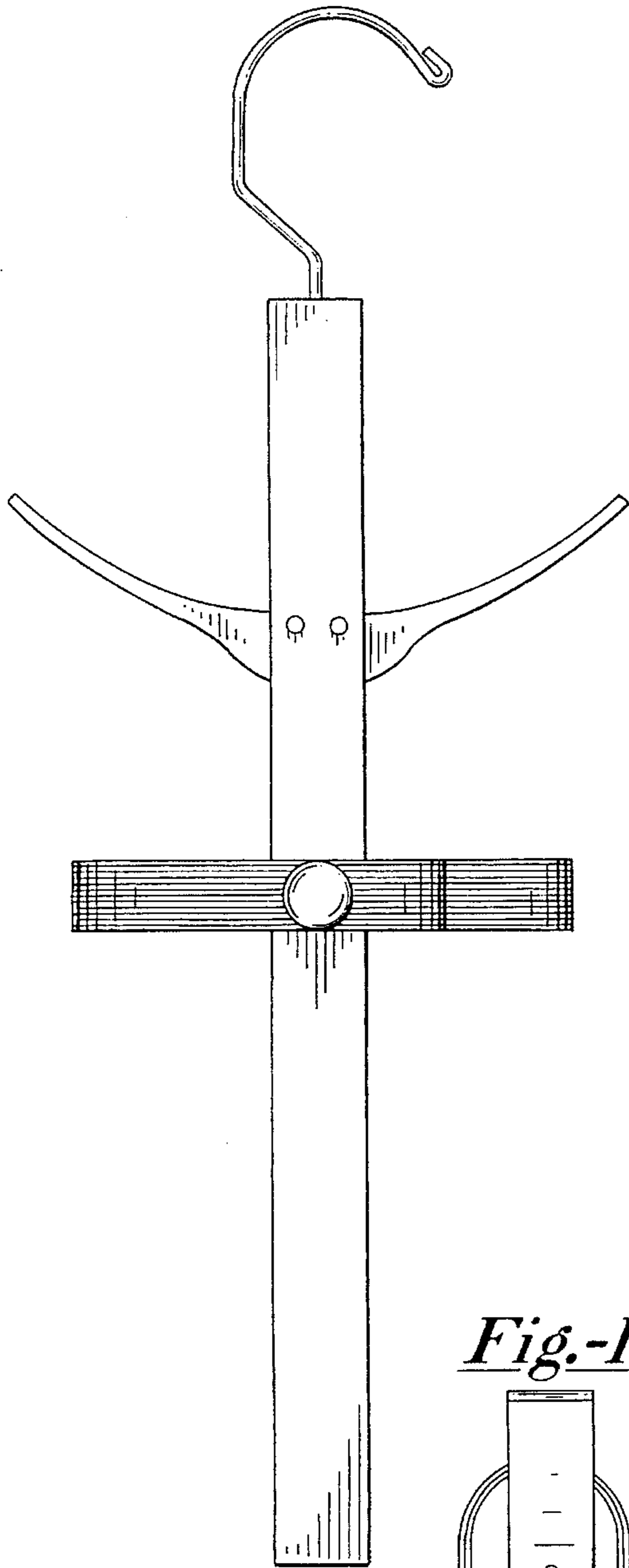


Fig.-9

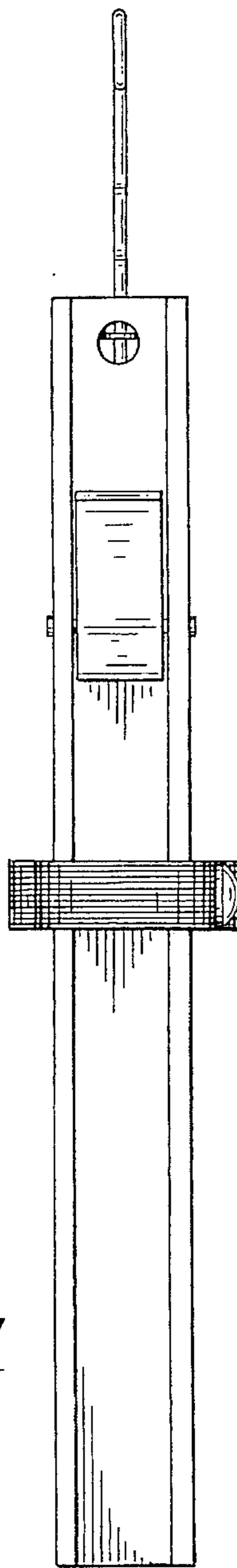


Fig.-10

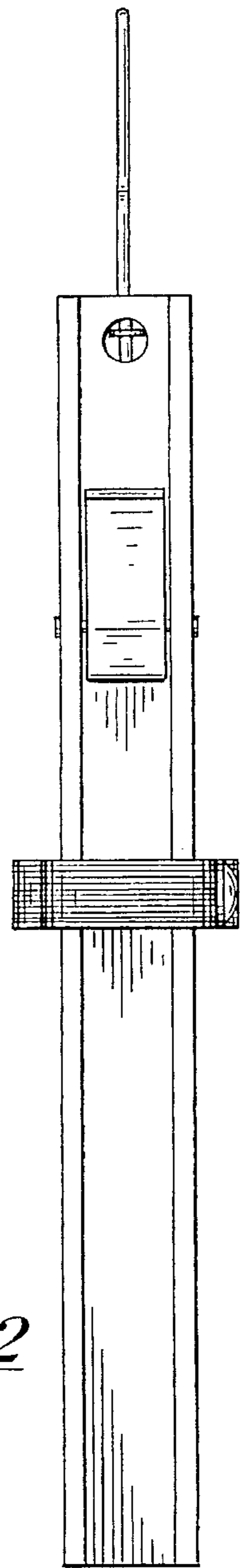


Fig.-11

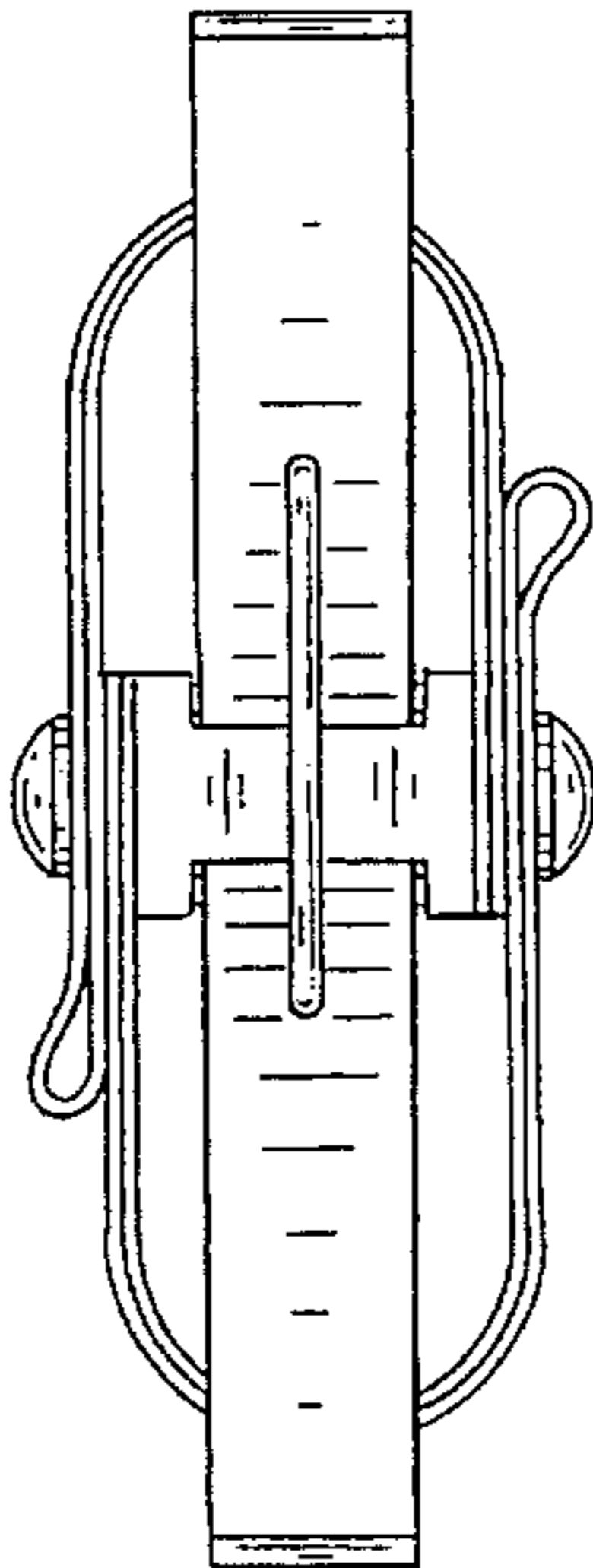


Fig.-12

