



US00D376046S

United States Patent [19]
Pansa

[11] **Patent Number: Des. 376,046**
[45] **Date of Patent: **Dec. 3, 1996**

[54] **SKATE CARRIER**

[76] Inventor: **Louis J. Pansa**, 1523 Pinehurst Dr.,
Mays Landing, N.J. 08330

[**] Term: **14 Years**

[21] Appl. No.: **50,434**

[22] Filed: **Feb. 20, 1996**

[52] U.S. Cl. **D3/317**

[58] Field of Search D3/317; D6/315,
D6/316, 512, 513, 552; 294/162, 165; 211/34,
35

[56] **References Cited**

U.S. PATENT DOCUMENTS

D. 256,521	8/1980	Bishop	D3/317
D. 352,173	11/1994	Tirone et al.	D3/317
D. 353,717	12/1994	O'Neil	D6/552
D. 363,822	11/1995	O'Neil	D6/552 X
3,777,956	12/1973	Jung	D3/317 X

Primary Examiner—Doris V. Coles

Assistant Examiner—Catherine R. Oliver

Attorney, Agent, or Firm—Harold H. Dutton, Jr.; W. Charles
L. Jamison; Diane F. Liebman

[57] **CLAIM**

The ornamental design for a skate carrier, as shown and described.

DESCRIPTION

FIG. 1 is a perspective view of a skate carrier showing my new design;

FIG. 2 is a front view thereof;

The rear view is a mirror image thereof;

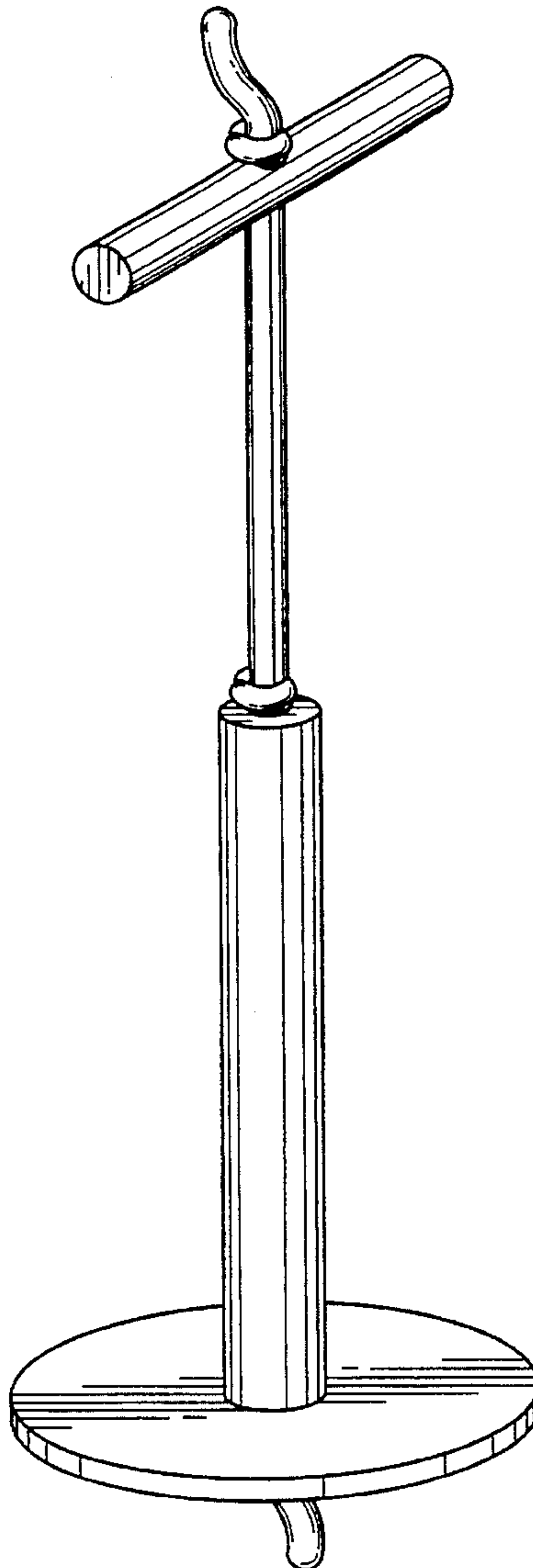
FIG. 3 is a right side view thereof;

The left side view is mirror image thereof;

FIG. 4 a top view thereof; and,

FIG. 5 is a bottom view thereof.

1 Claim, 4 Drawing Sheets



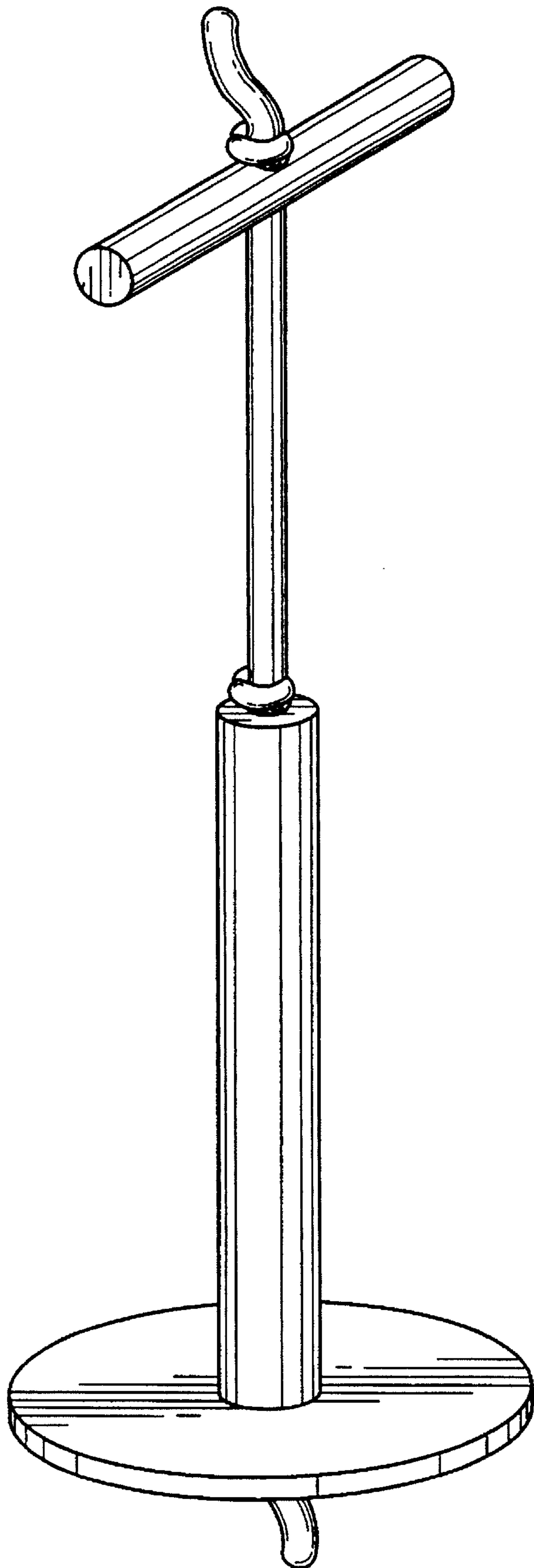


FIG. 1

FIG. 2

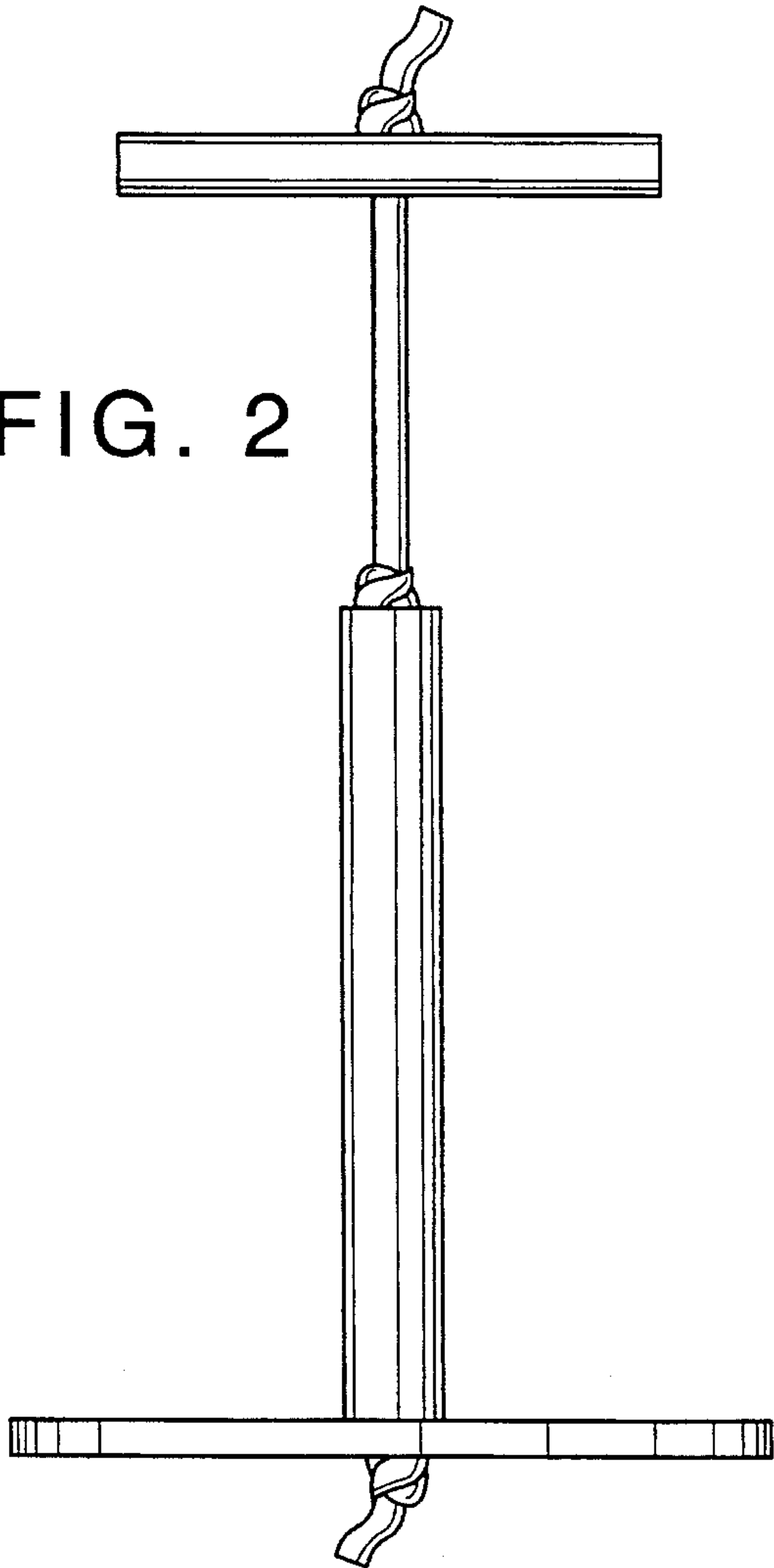
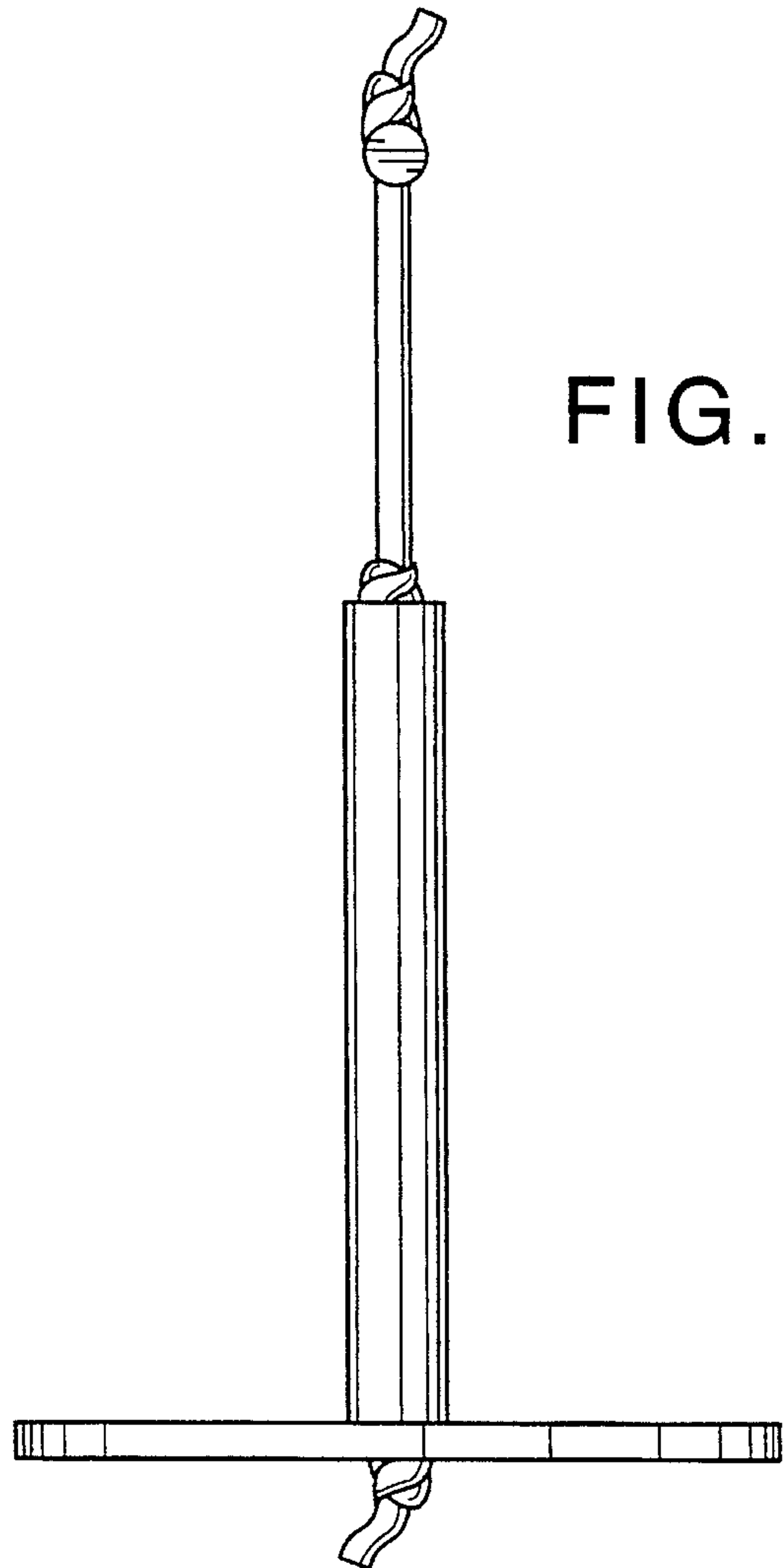


FIG. 3



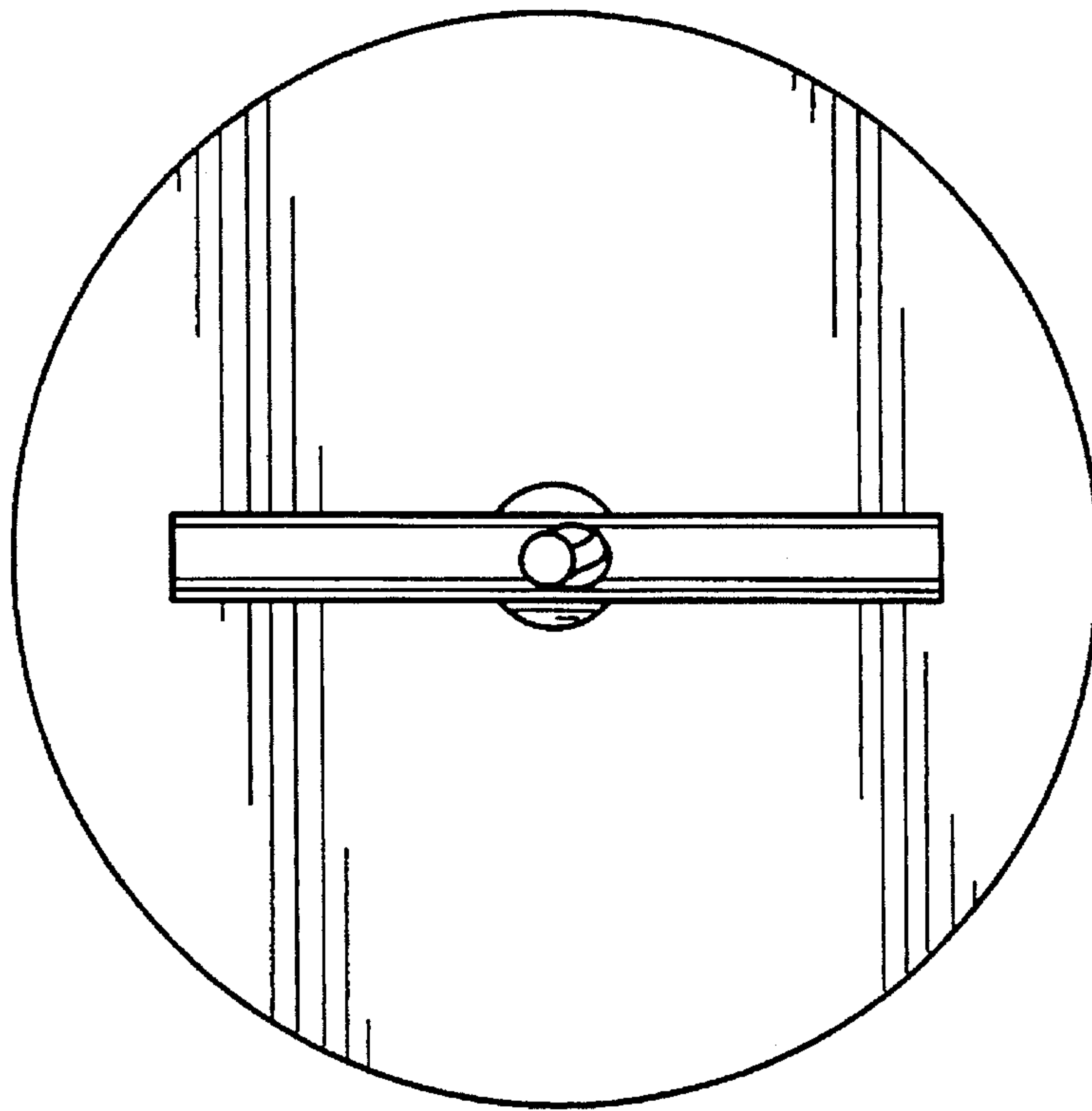


FIG. 4

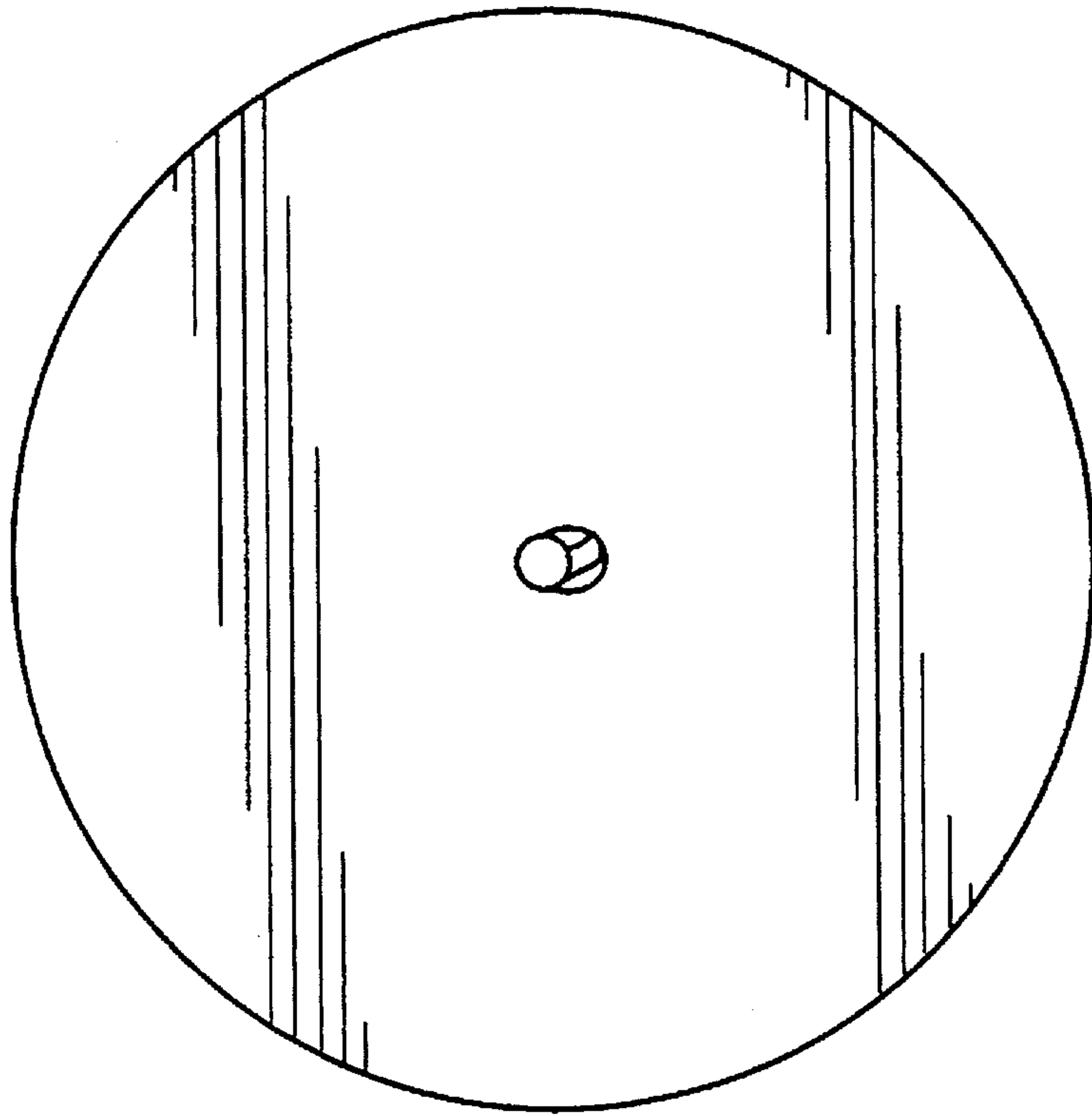


FIG. 5