



US00D376045S

United States Patent [19]

[11] Patent Number: **Des. 376,045**

Bernstein et al.

[45] Date of Patent: ****Dec. 3, 1996**

[54] **BRIEF BAG**

[75] Inventors: **Michael S. Bernstein; Bruce B. Weiner; Thomas E. Bernstein; David Nicholson**, all of Pittsburgh, Pa.

[73] Assignee: **S J B Enterprises, Inc.**, Murrysville, Pa.

[**] Term: **14 Years**

[21] Appl. No.: **41,572**

[22] Filed: **Jul. 18, 1995**

[52] U.S. Cl. **D3/287; D3/289**

[58] Field of Search **D3/287, 283, 273, D3/276, 284, 285, 289, 290; 190/11, 100, 102, 109, 110, 111, 112, 113, 114, 115, 900, 901, 902**

D. 323,742	2/1992	Breen .	
D. 340,621	10/1993	Melk	D3/287
D. 346,694	5/1994	Cyr et al.	D3/287
3,773,154	11/1973	Mitchel	190/11
4,483,427	11/1984	Gerch	190/11
4,643,281	2/1987	Erickson	190/119
4,837,590	6/1989	Sprague	206/305
4,852,498	8/1989	Judd	190/11
5,115,893	5/1992	Terkildsen	190/11
5,160,001	11/1992	Marceau	190/102
5,214,574	5/1993	Chang .	
5,217,119	6/1993	Hollingsworth	206/583

Primary Examiner—Philip S. Hyder
Attorney, Agent, or Firm—David V. Radack; Eckert Seamans Cherin & Mellott

[57] **CLAIM**

The ornamental design for a brief bag, as shown and described.

DESCRIPTION

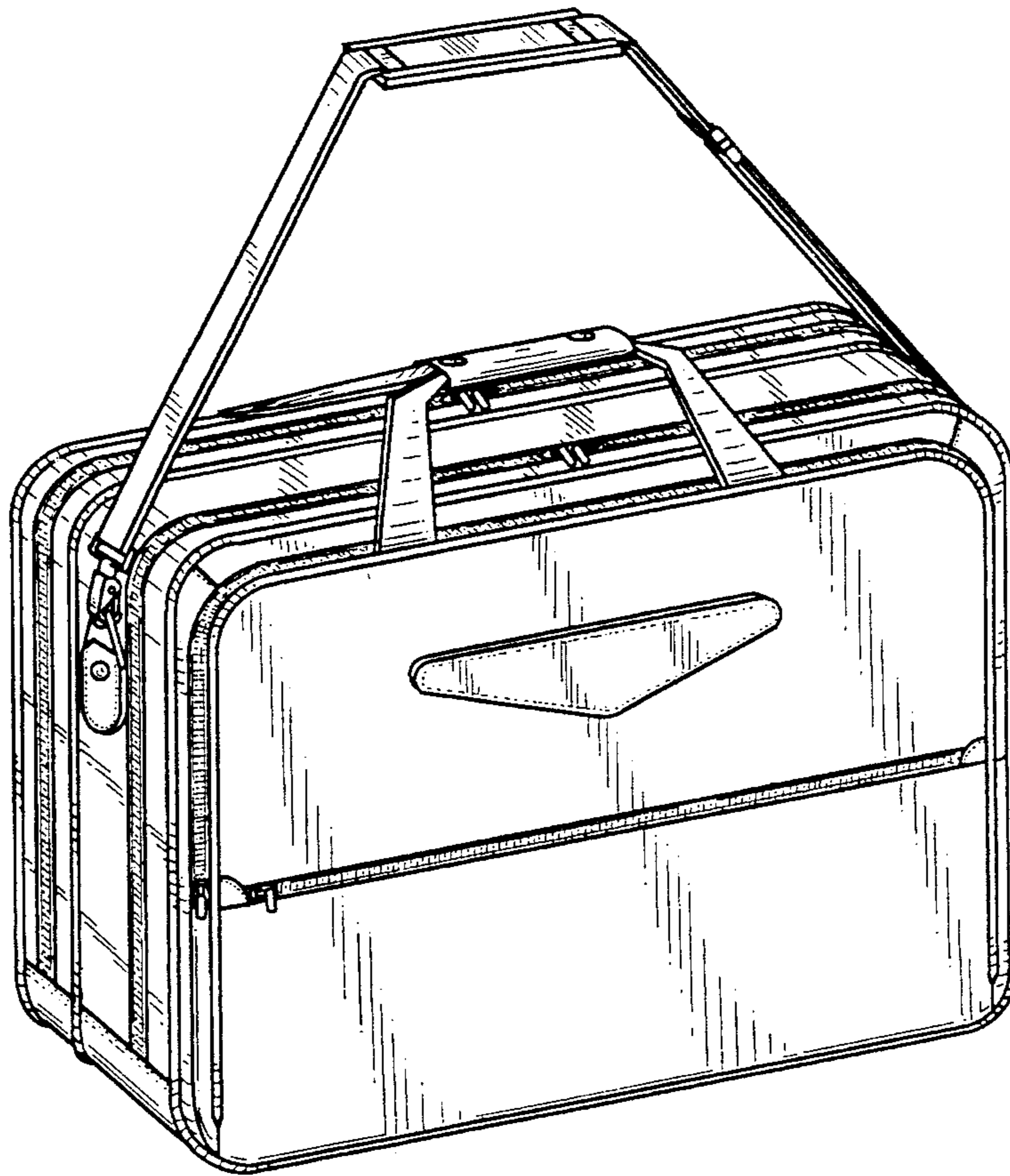
FIG. 1 is a perspective view of a brief bag showing our new design;
FIG. 2 is a front elevational view thereof;
FIG. 3 is a rear elevational view thereof;
FIG. 4 is a left side elevational view thereof;
FIG. 5 is a right side elevational view thereof;
FIG. 6 is a top plan view thereof; and,
FIG. 7 is a bottom plan view thereof.

1 Claim, 5 Drawing Sheets

[56] **References Cited**

U.S. PATENT DOCUMENTS

D. 280,865	10/1985	Bomes et al.	D3/287
D. 280,866	10/1985	Bomes et al.	D3/287
D. 282,601	2/1986	Bomes et al.	D3/287
D. 283,760	5/1986	Gibbs	D3/287
D. 292,746	11/1987	Allen	D3/287
D. 294,084	2/1988	Gibbs	D3/287
D. 307,514	5/1990	Gibbs	D3/287
D. 308,919	7/1990	Melih .	
D. 313,316	1/1991	Nordstrom	D3/287
D. 315,985	4/1991	Gerch et al.	D3/283



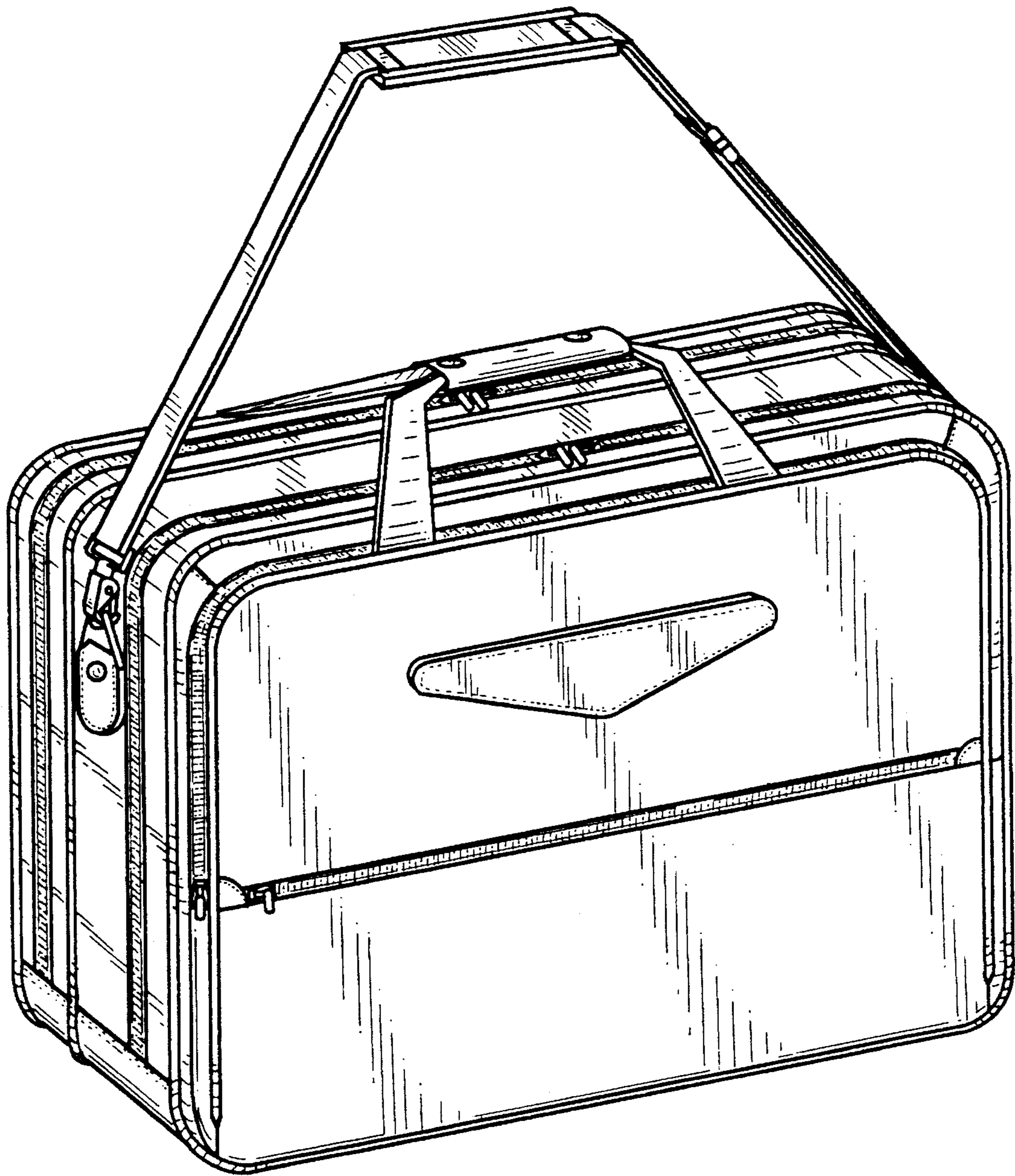


FIG. 1

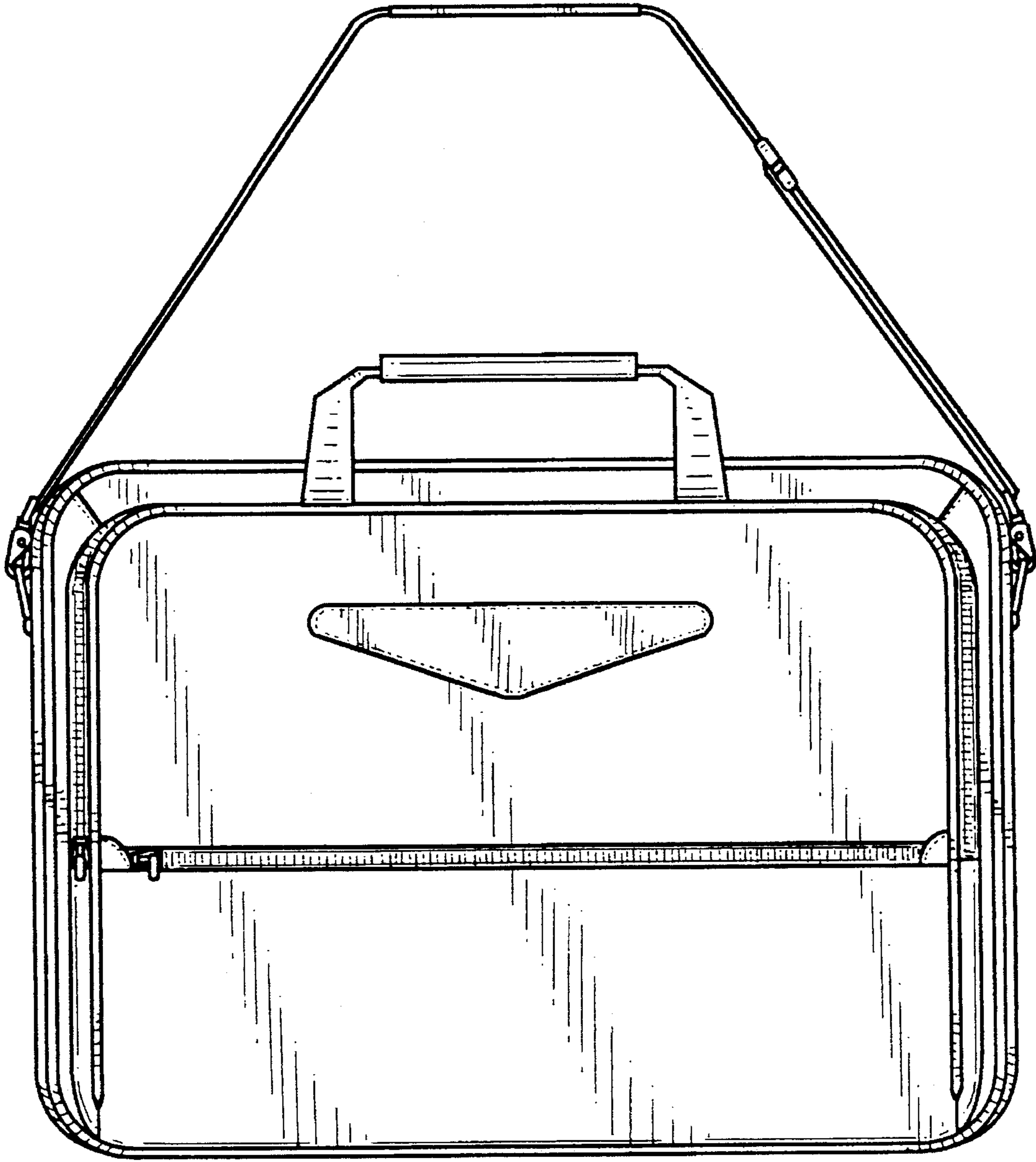


FIG. 2

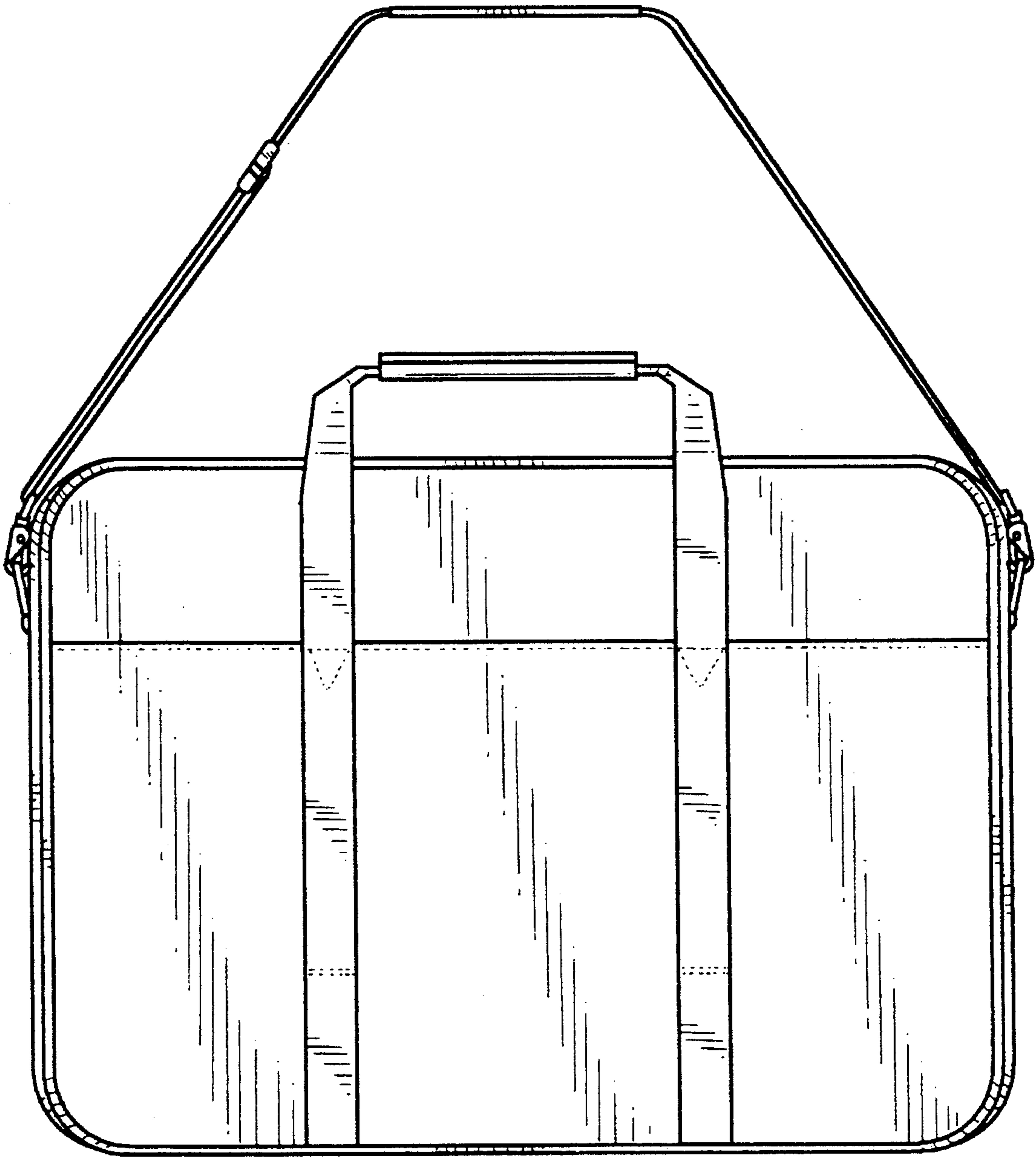


FIG. 3

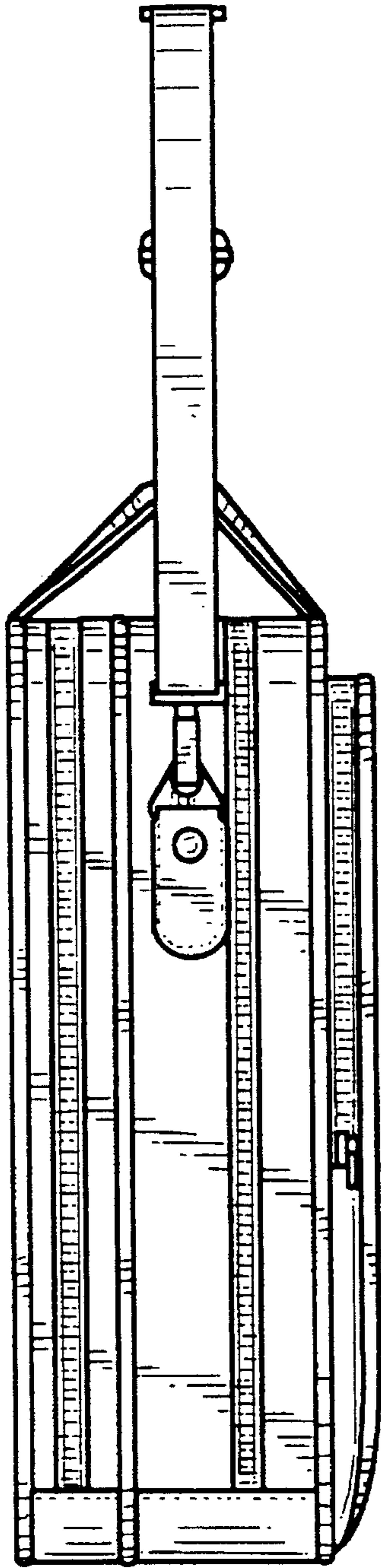


FIG. 4

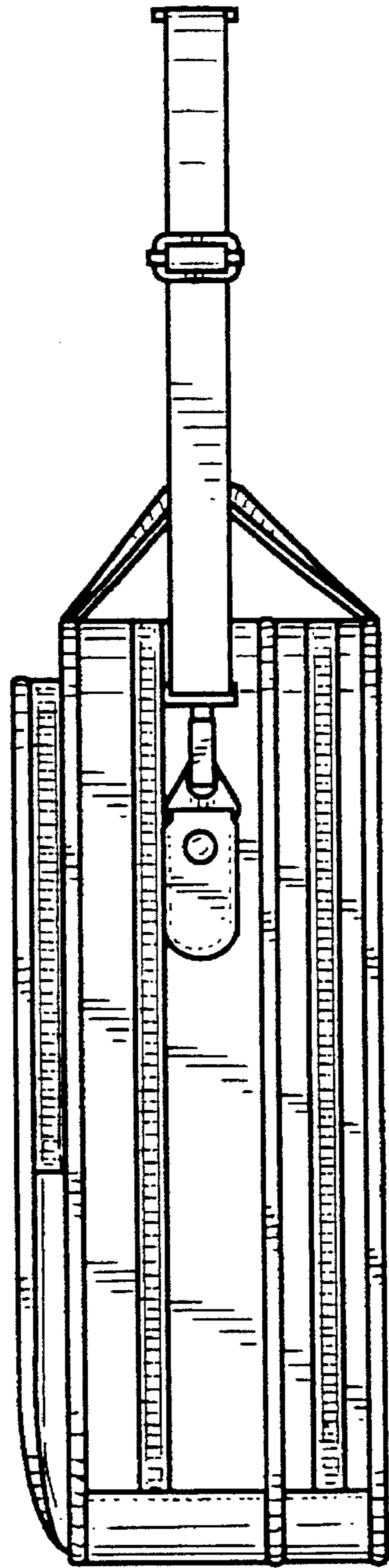


FIG. 5

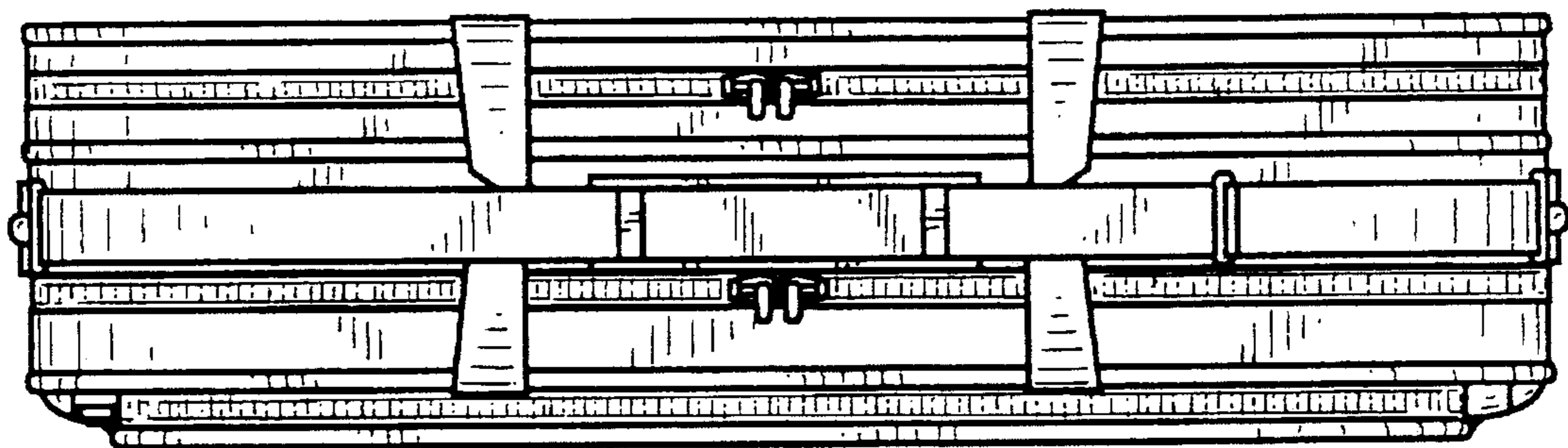


FIG. 6

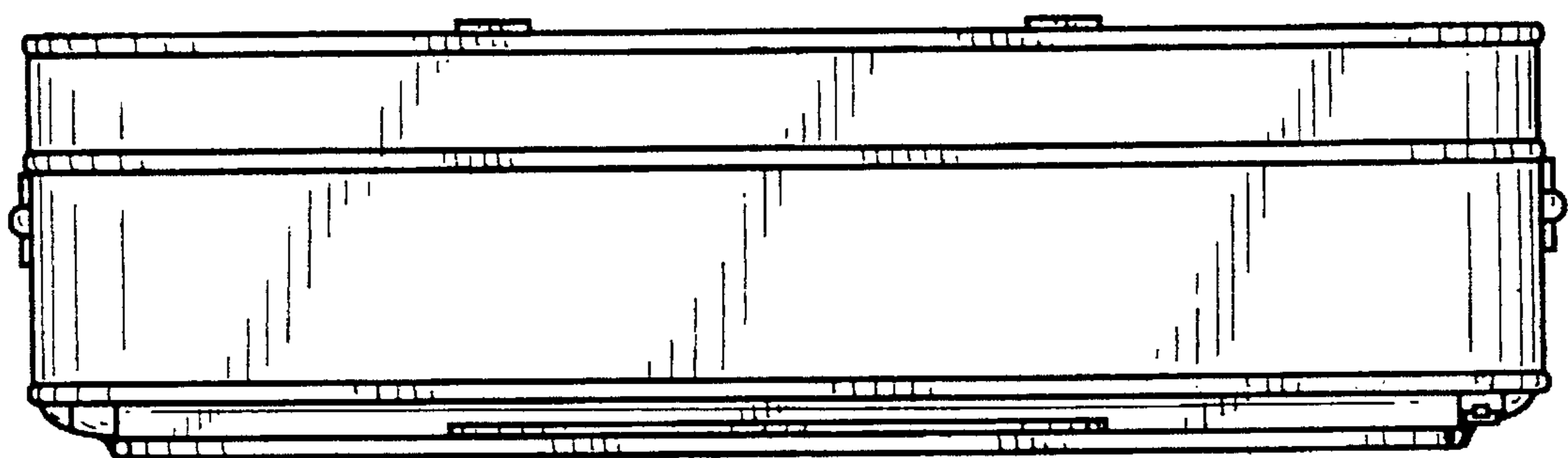


FIG. 7