



US00D376044S

United States Patent [19]

[11] Patent Number: **Des. 376,044**

Trawick et al.

[45] Date of Patent: ****Dec. 3, 1996**

[54] **BEACH BAG**

[76] Inventors: **Jason Trawick; William Trawick**, both of 26 Maria Ct., Holbrook, N.Y. 11741

[**] Term: **14 Years**

[21] Appl. No.: **36,641**

[22] Filed: **Mar. 23, 1995**

[52] U.S. Cl. **D3/283; D3/286; D3/289**

[58] Field of Search **D3/280, 283, 289, D3/287, 274, 279; 383/110, 113, 66; 224/205, 237, 258; 190/111, 115, 117, 113; D7/607**

4,873,841	10/1989	Bradshaw	62/239
4,967,986	11/1990	Schildkraut	224/250
5,005,679	4/1991	Hjelle	383/110
5,030,013	7/1991	Kramer	383/61
5,031,807	7/1991	Tiffany	224/35
5,054,507	10/1991	Sparks	135/97
5,076,405	12/1991	Modica	190/1
5,140,833	8/1992	Whalen	62/457.7
5,234,143	8/1993	Mahvi et al.	224/31
5,275,018	1/1994	Lin et al.	62/457
5,318,312	6/1994	Montemayor	280/30
5,346,308	9/1994	Buhot et al.	383/4
5,350,081	9/1994	Graham	220/737

OTHER PUBLICATIONS

Lillian Vernon Catalog, Virginia Beach, VA 23479-0002 "Sports Bag Holds Gear with Room to Spare", vol. 501, p. 47, 1995.

Primary Examiner—Philip S. Hyder
Attorney, Agent, or Firm—Alfred M. Walker

[56] References Cited

U.S. PATENT DOCUMENTS

D. 279,525	7/1985	Allen	D3/287
D. 302,903	8/1989	Johnston	D3/274
D. 304,881	12/1989	Zinbarg et al.	D3/274
D. 307,672	5/1990	Lam	D3/287
D. 311,452	10/1990	Ehret	D3/286
D. 340,840	11/1993	Melk	D3/283
D. 355,568	2/1995	Paulin et al.	D3/301
4,082,208	4/1978	Lane	224/8 R
4,273,221	6/1981	Poag	190/8
4,298,103	11/1981	De Fries	190/42
4,546,507	10/1985	Weinstein	5/419
4,648,512	3/1987	Tarozzi	206/542
4,667,484	5/1987	Tarozzi et al.	62/371
4,679,407	7/1987	Kim	62/294
4,773,515	9/1988	Kotkins	190/103
4,812,054	3/1989	Kirkendall	383/110
4,825,892	5/1989	Norman	135/104
4,826,060	5/1989	Hollingsworth	224/205
4,856,912	8/1989	Damus	383/4
4,863,075	9/1989	Romer	222/610

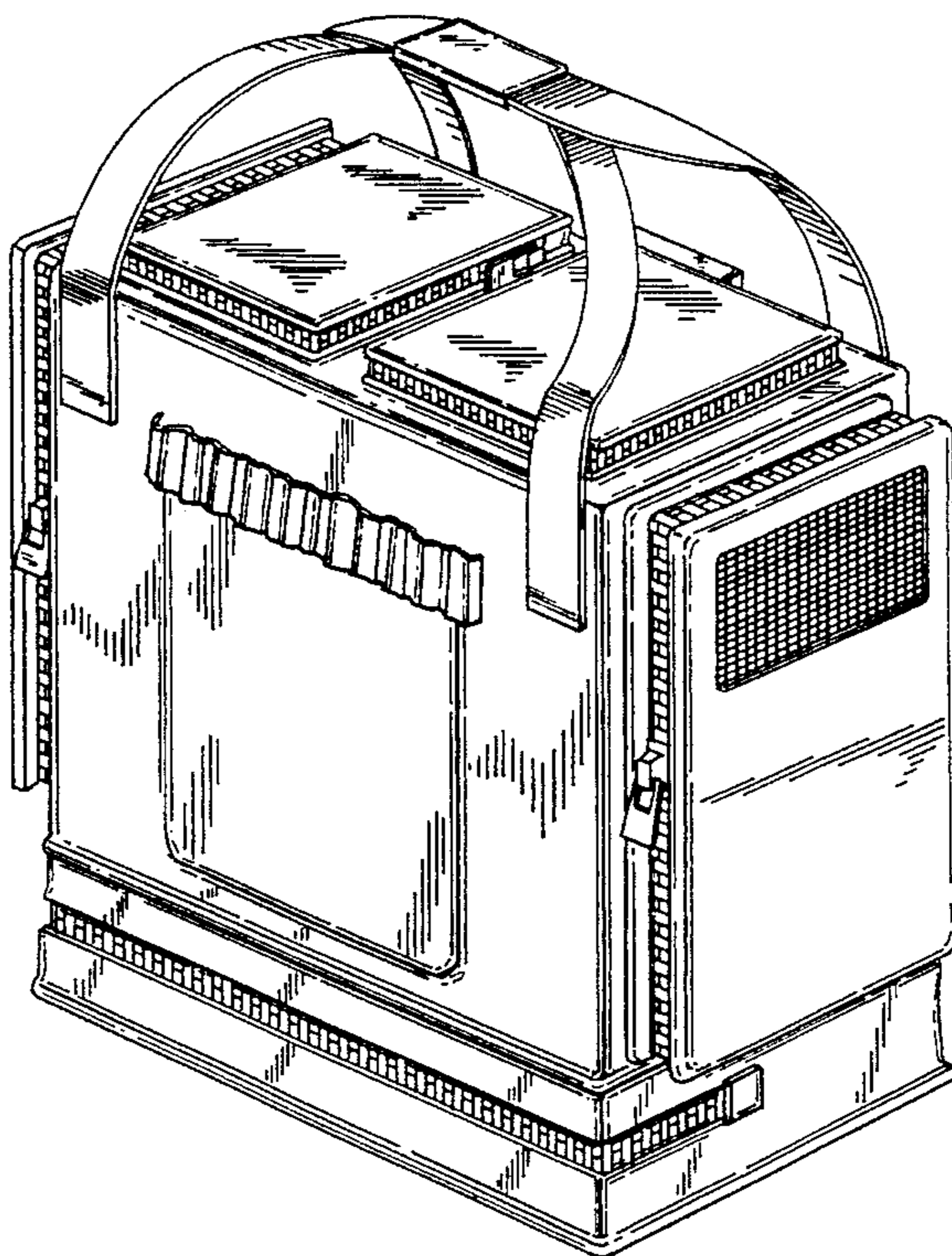
[57] CLAIM

The ornamental design for a beach bag, as shown and described.

DESCRIPTION

FIG. 1 is a perspective view of a beach bag showing our new design;
FIG. 2 is a front elevational view thereof;
FIG. 3 is a rear elevational view thereof;
FIG. 4 is a top plan view thereof;
FIG. 5 is a right side elevational view thereof;
FIG. 6 is a left side elevational view thereof; and,
FIG. 7 is a bottom view thereof.

1 Claim, 4 Drawing Sheets



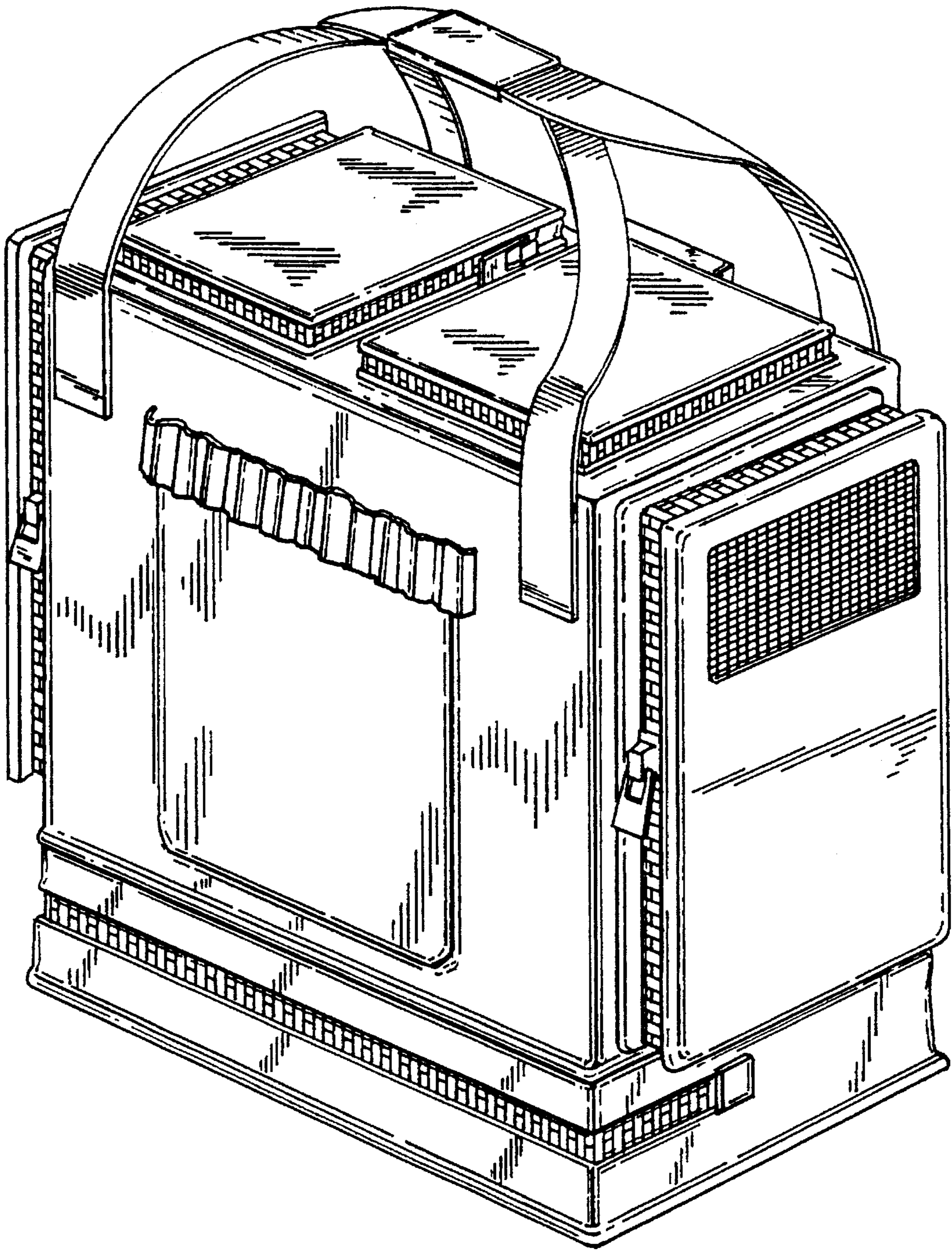


Fig. 1

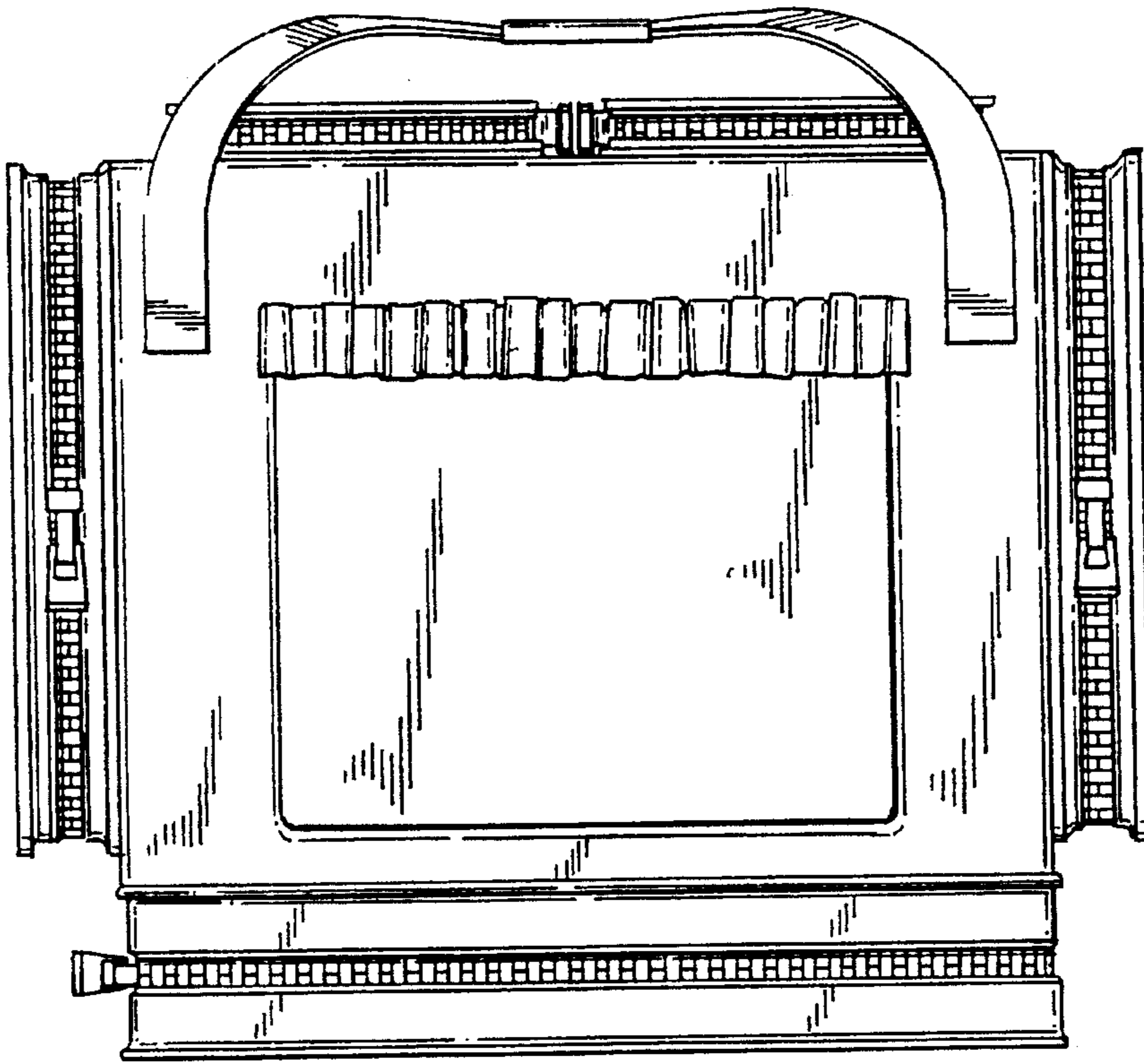


Fig. 2

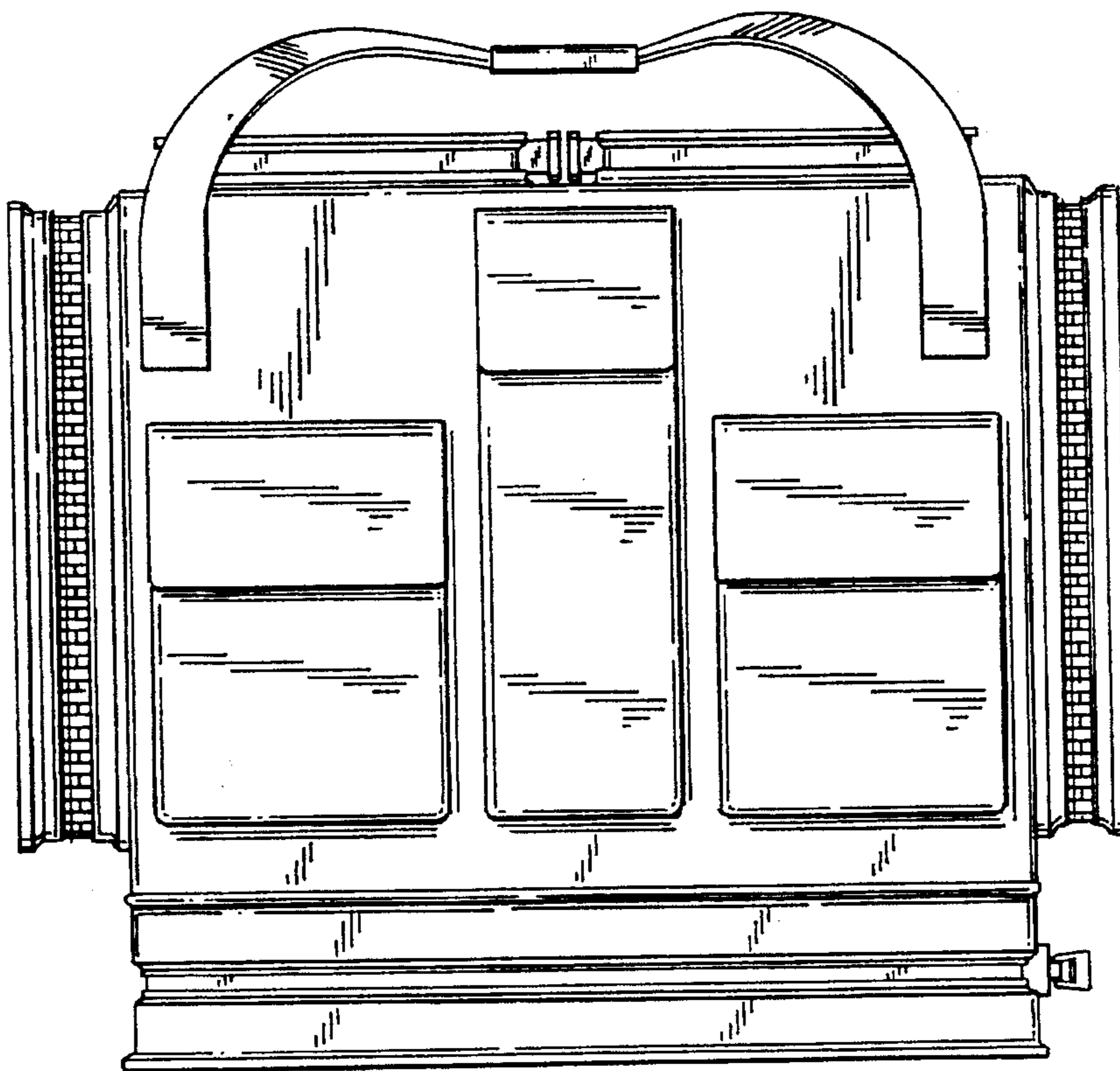


Fig. 3

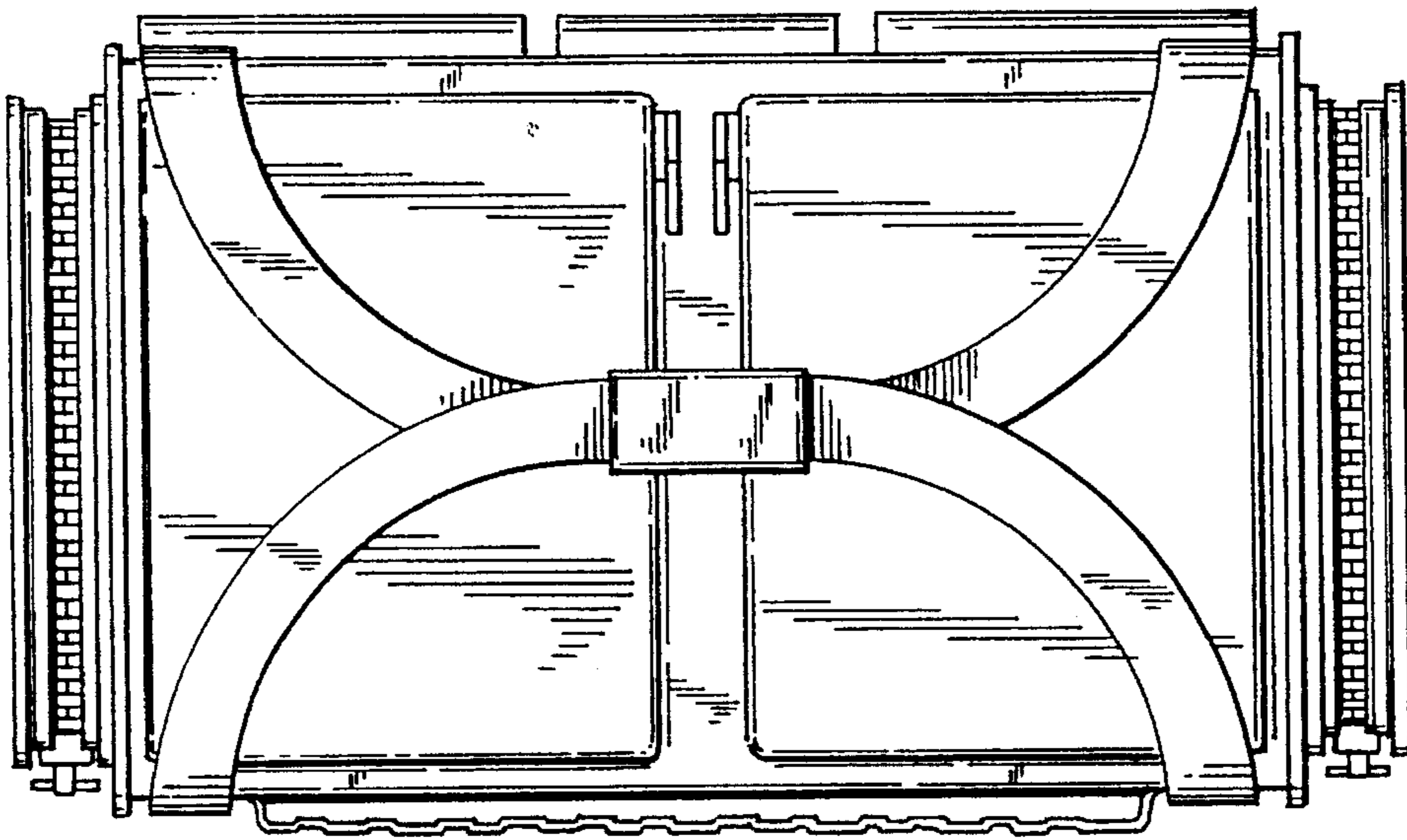


Fig. 4

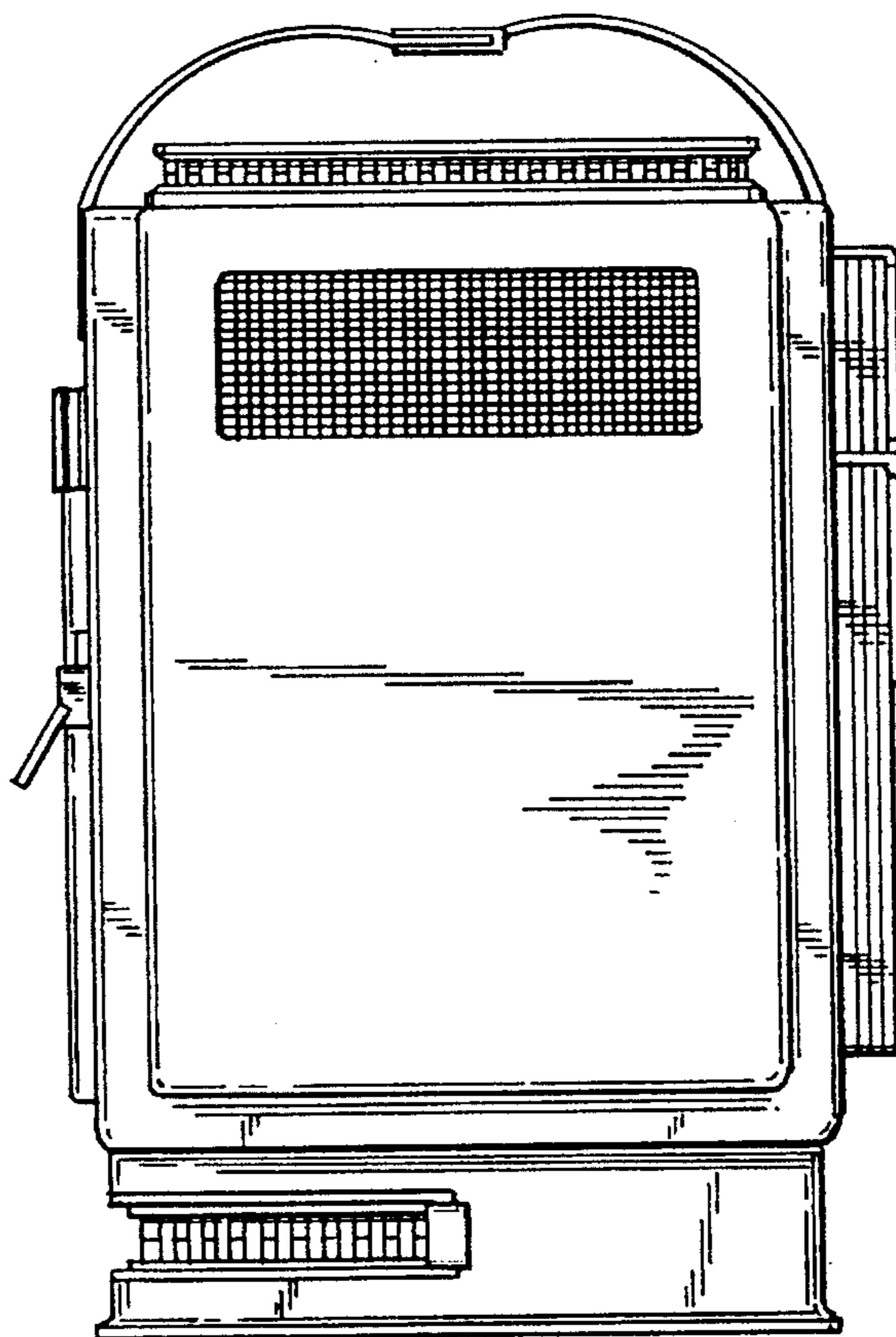


Fig. 5

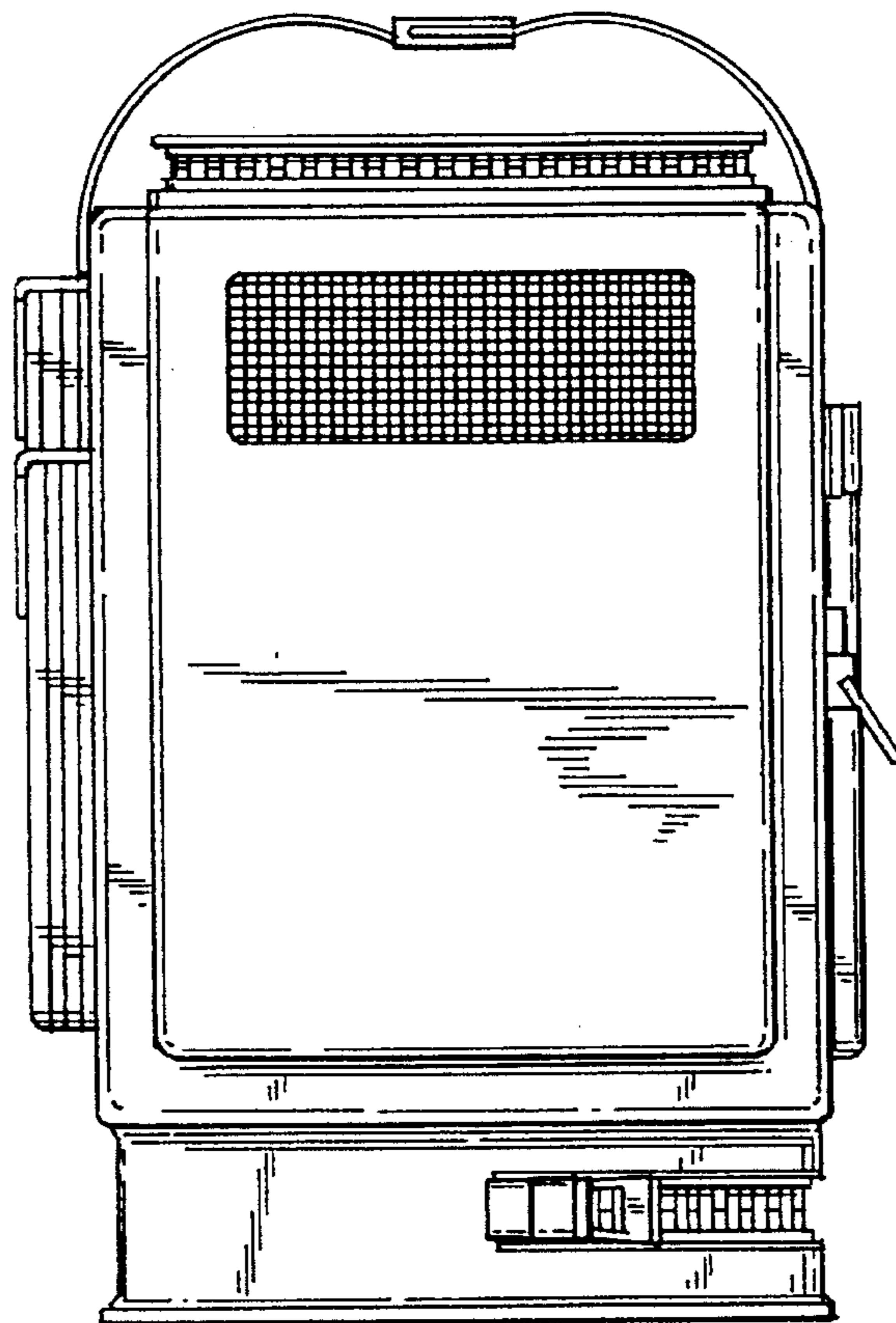


Fig. 6

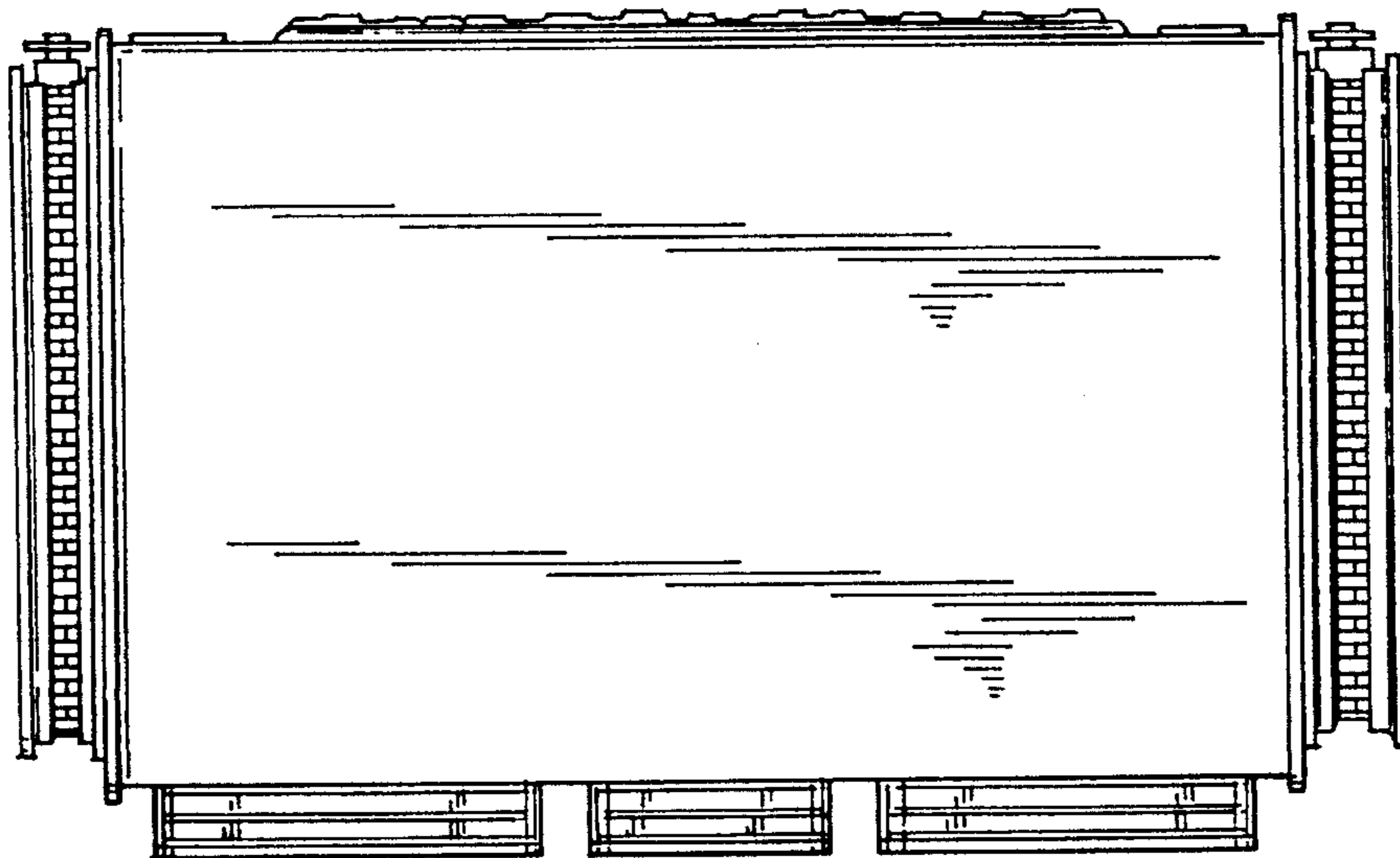


Fig. 7