



US00D376036S

# United States Patent [19]

Lanigan, Sr. et al.

[11] Patent Number: **Des. 376,036**

[45] Date of Patent: **\*\*Nov. 26, 1996**

[54] **LIFTING FITTING FOR REMOVABLE TRUCK TRAILERS**

3,611,710 10/1971 Holmes et al. .... 294/74  
4,925,226 5/1990 Leonard, Jr. et al. .... 294/82.17  
5,257,844 11/1993 Patouillard et al. .... 294/68.3

[75] Inventors: **John J. Lanigan, Sr.; James A. Baumann**, both of Orland Park, Ill.

*Primary Examiner*—A. Hugo Word  
*Assistant Examiner*—Robin V. Taylor  
*Attorney, Agent, or Firm*—Robert A. Brown

[73] Assignee: **Mi-Jack Products, Inc.**, Hazel Crest, Ill.

[57] **CLAIM**

[\*\*] Term: **14 Years**

The ornamental design for a lifting fitting for removable truck trailers, as shown and described.

[21] Appl. No.: **21,417**

**DESCRIPTION**

[22] Filed: **Apr. 18, 1994**

[52] U.S. Cl. .... **D34/35; D34/28; D12/106**

[58] **Field of Search** .... D34/28, 35, 34; D12/97, 223, 106; D8/300, 314, 313; 16/40 R, 124; 294/68.3, 67.33, 81.62, 74

FIG. 1 is a perspective view of a lifting fitting for removable truck trailer showing our new design, the broken line showing of a truck chassis and three additional fittings is for illustrative purposes only and forms no part of the claimed design;

FIG. 2 is an enlarged perspective view thereof;

FIG. 3 is a further enlarged front elevational view thereof;

FIG. 4 is a back side elevational view of FIG. 3;

FIG. 5 is a left side elevational view of FIG. 3;

FIG. 6 is a right side elevational view of FIG. 3;

FIG. 7 is a bottom view of FIG. 3; and

FIG. 8 is a top plan view of FIG. 3; and,

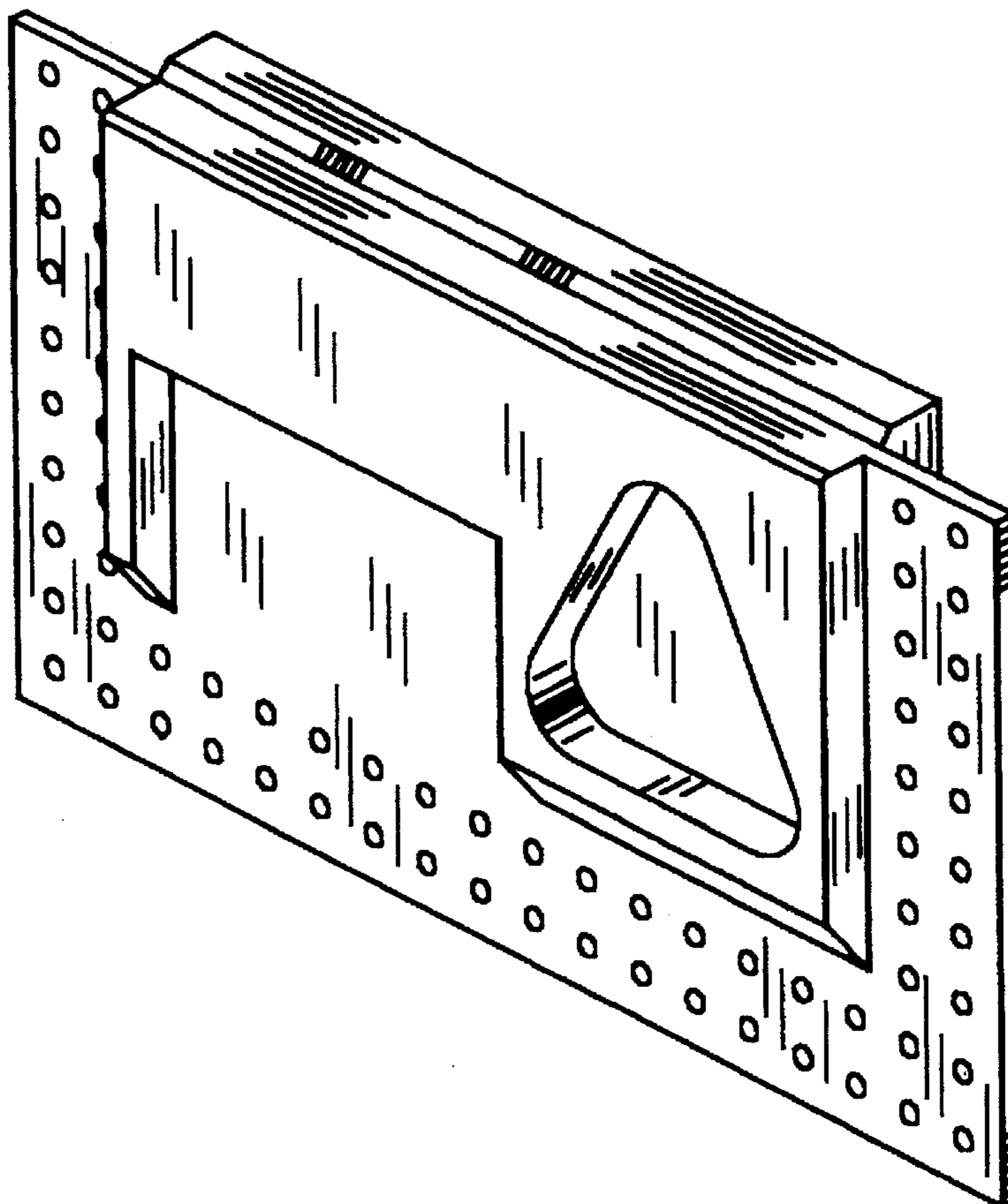
FIG. 9 is a further enlarged sectional view taken along the line 9—9 of FIG. 3.

[56] **References Cited**

**U.S. PATENT DOCUMENTS**

D. 344,695	3/1994	Baumann	.....	D12/97
D. 345,121	3/1994	Baumann	.....	D12/97
1,802,888	4/1931	Fitch	.....	294/68.3
3,086,807	4/1963	Russell	.....	294/68.3
3,128,117	4/1964	Abolins	.....	294/68.3
3,154,203	10/1964	Barry	.....	294/68.3
3,261,637	7/1966	Bopp et al.	.....	294/68.3
3,262,729	7/1966	Willison et al.	.....	294/68.3
3,484,014	12/1969	Munch	.....	294/68.1

**1 Claim, 2 Drawing Sheets**



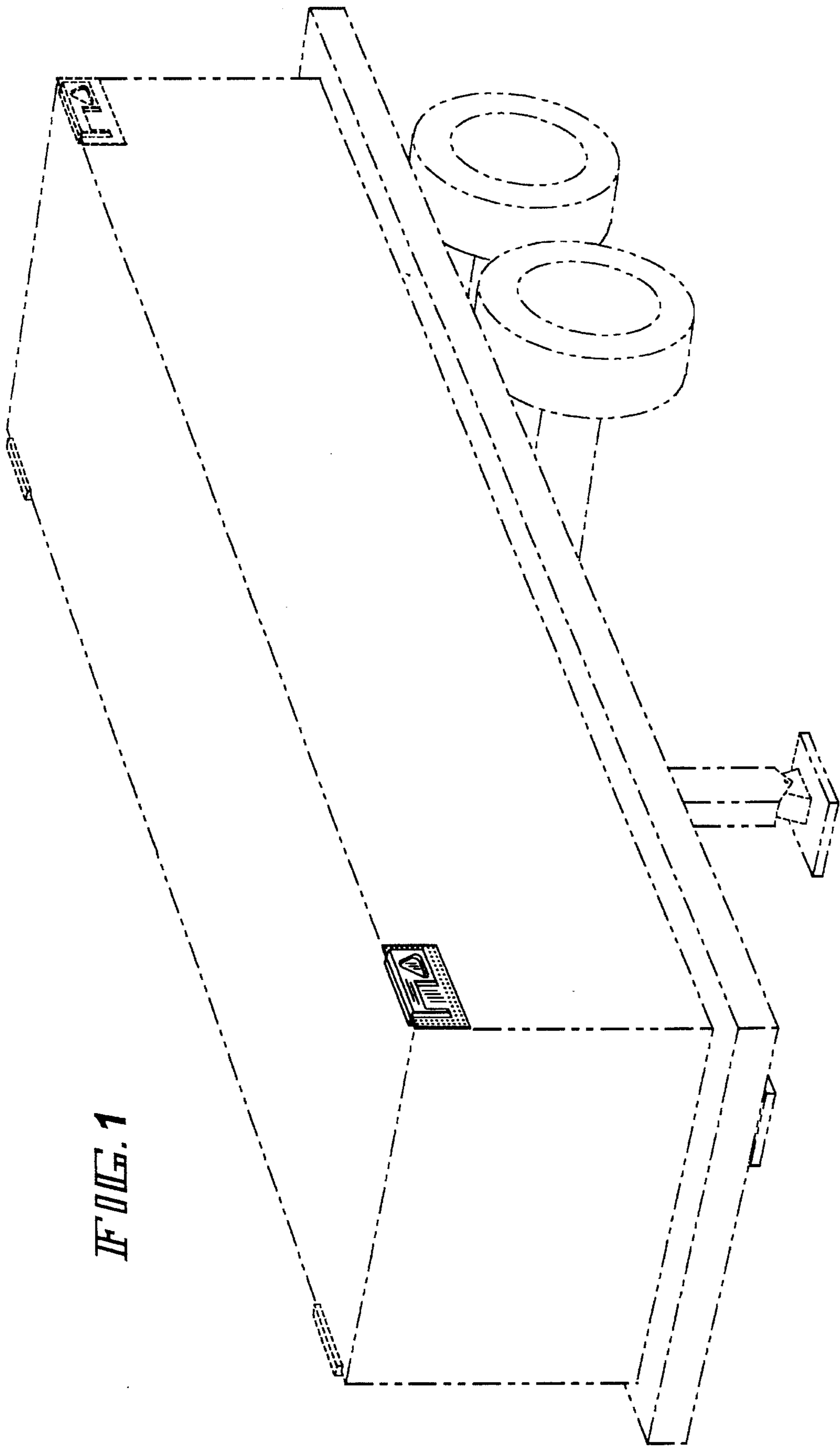
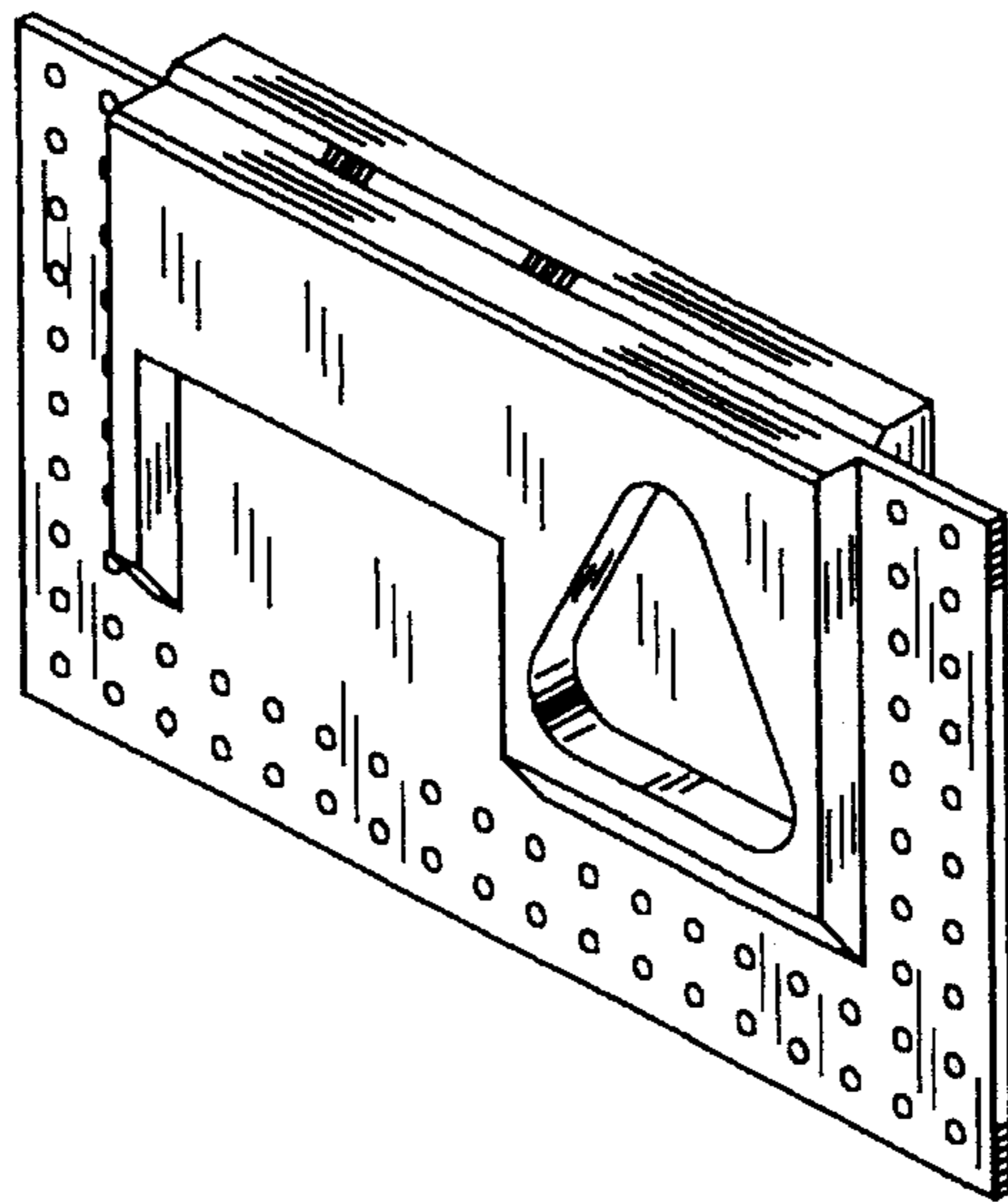
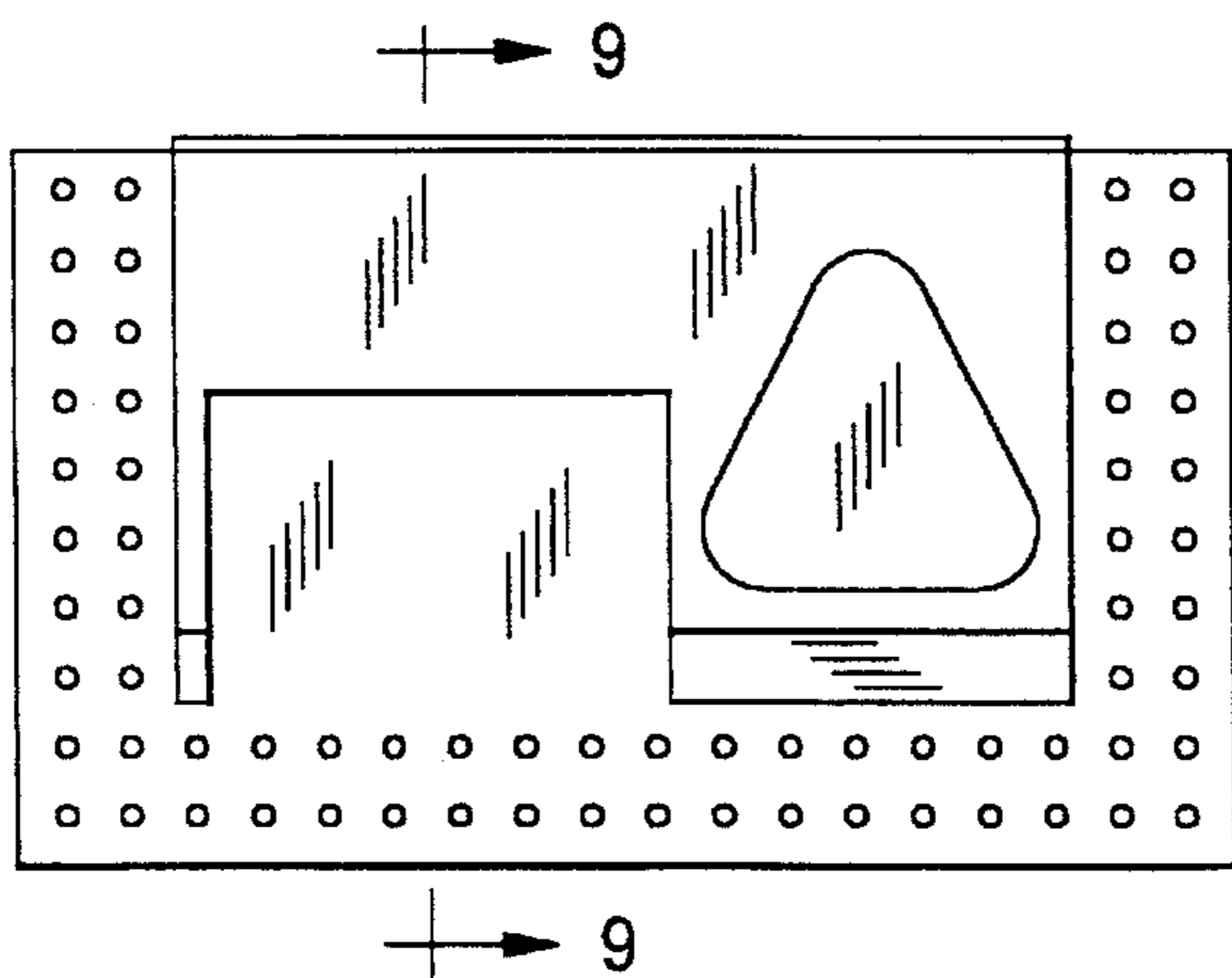


FIG. 1

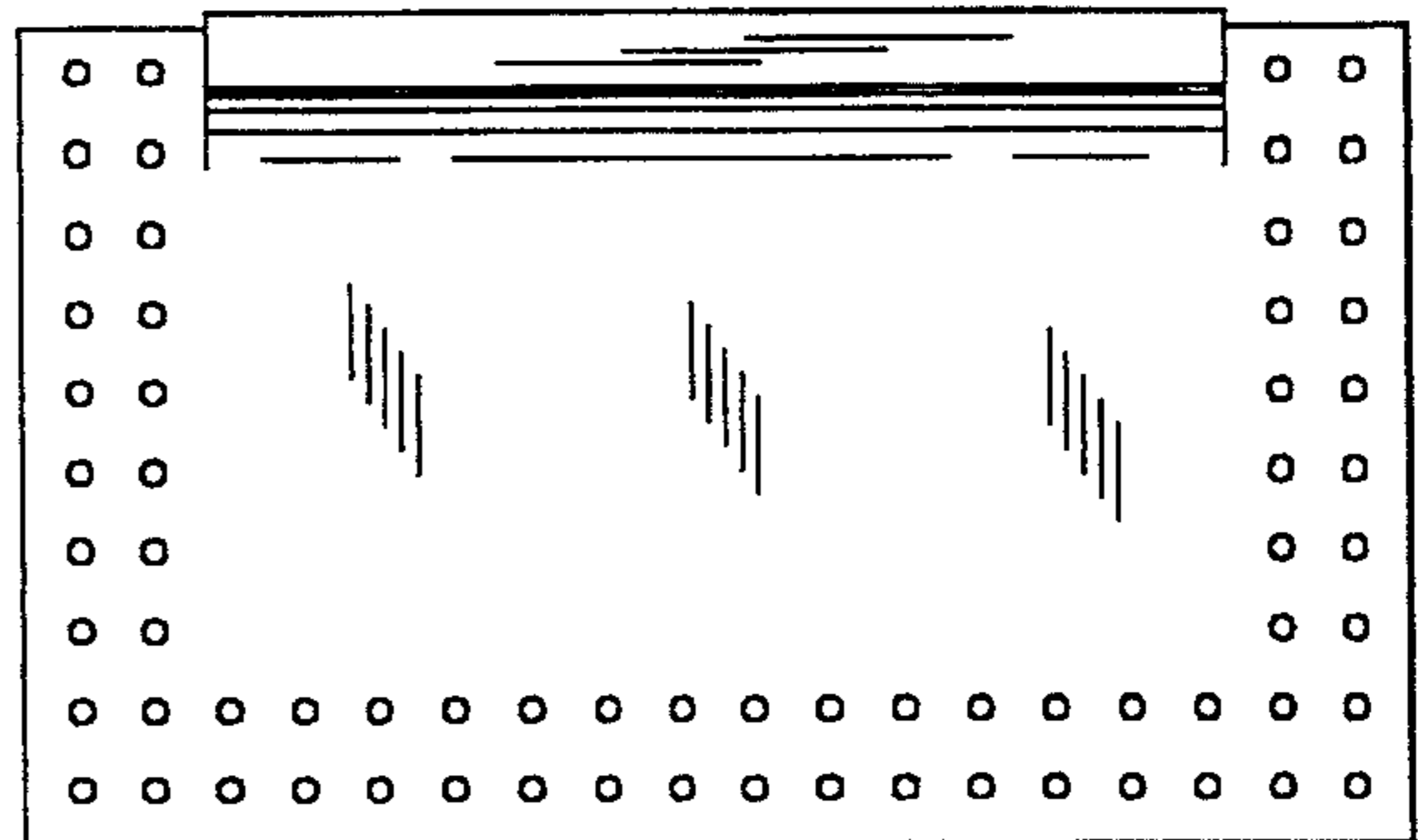
*FIG. 2*



*FIG. 3*

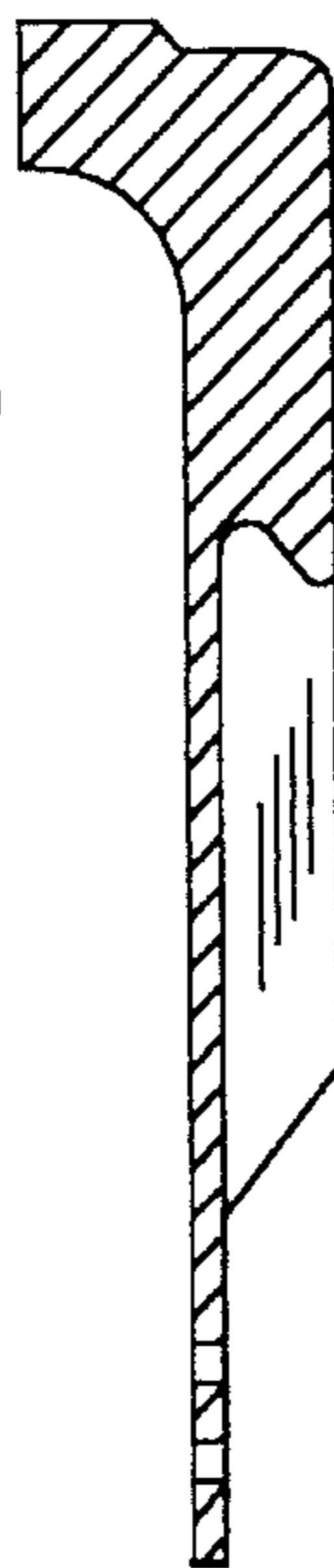


*FIG. 4*



*FIG. 5*

*FIG. 9*



*FIG. 6*

*FIG. 7*



*FIG. 8*

