



US00D376026S

# United States Patent [19]

[11] Patent Number: **Des. 376,026**

Wachter

[45] Date of Patent: **\*\*Nov. 26, 1996**

## [54] TRACK LIGHTING LAMP FIXTURE

[75] Inventor: **Peter F. Wachter**, Northfield, Ill.

[73] Assignee: **Juno Lighting, Inc.**, Des Plaines, Ill.

[\*\*] Term: **14 Years**

[21] Appl. No.: **45,775**

[22] Filed: **Oct. 30, 1995**

[52] U.S. Cl. .... **D26/63**

[58] Field of Search ..... D26/24, 61, 63,  
D26/65; 362/362, 269, 275, 418, 419, 421,  
427

## [56] References Cited

### U.S. PATENT DOCUMENTS

D. 325,646	4/1992	Grange .....	D26/63
D. 335,544	5/1993	Meda et al. ....	D26/63
4,727,460	2/1988	Payne .....	362/269
4,814,955	3/1987	Price .....	362/275

Primary Examiner—Susan J. Lucas

Attorney, Agent, or Firm—Anthony S. Zummer

## [57] CLAIM

The ornamental design for a track lighting lamp fixture, as shown in the accompanying drawings and described above.

## DESCRIPTION

FIG. 1 is a top right perspective view of a track lighting lamp fixture in a selected attitude showing the new design; FIG. 2 is a right side elevational view of the track lighting lamp fixture shown in FIG. 1; FIG. 3 is a left side elevational view of the track lighting lamp fixture shown in FIG. 1; FIG. 4 is a top plan view of the track lighting lamp fixture shown in FIG. 1; FIG. 5 is a bottom plan view of the track lighting lamp fixture shown in FIG. 1; FIG. 6 is a front elevational view of the track lighting lamp fixture shown in FIG. 1; and, FIG. 7 is a rear elevational view of the track lighting lamp fixture shown in FIG. 1. The track supporting the fixture and the lamp mounted in the fixture are shown in broken lines for illustrative purposes only and form no part of the claimed design.

**1 Claim, 3 Drawing Sheets**

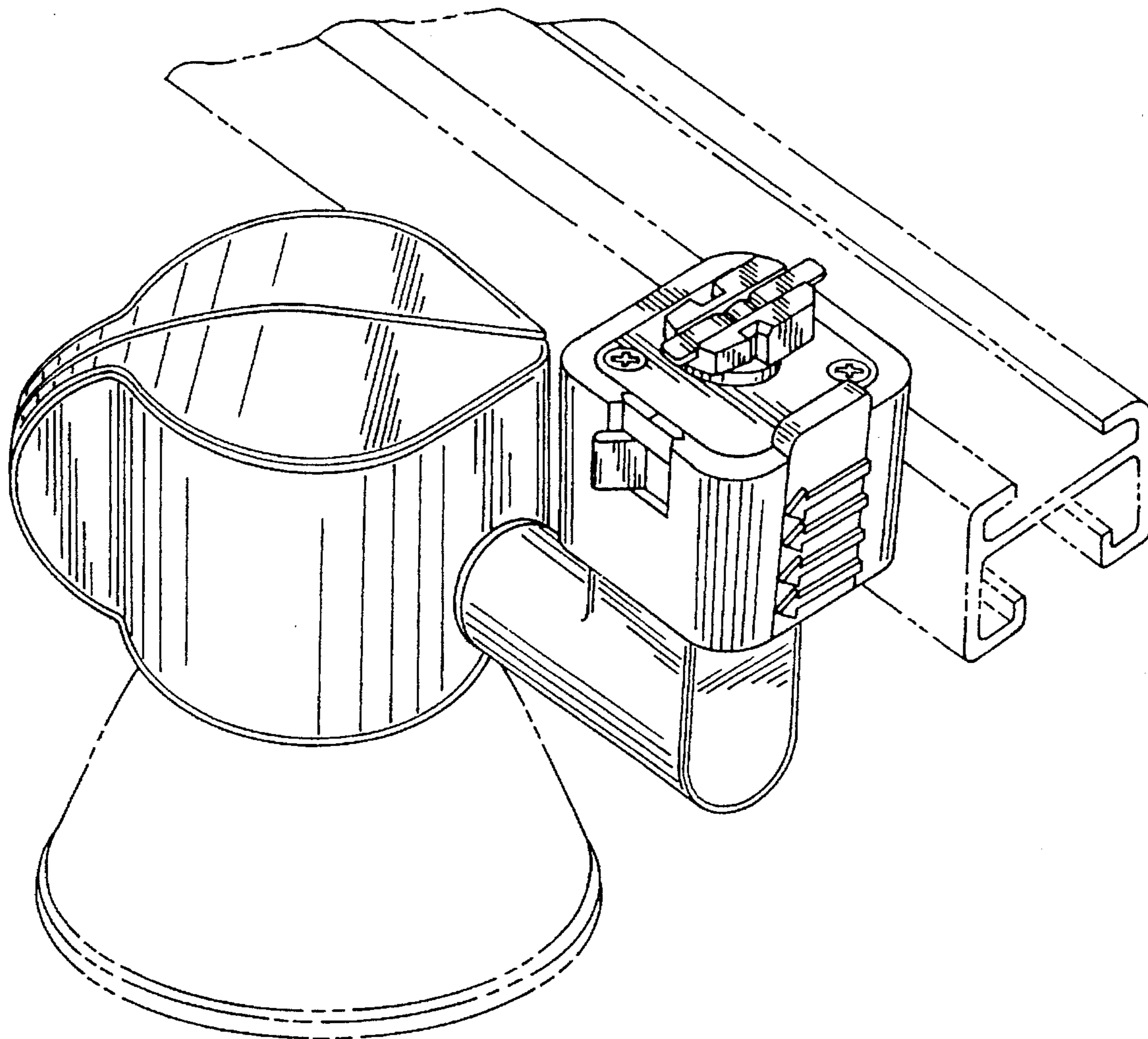


FIG. 1

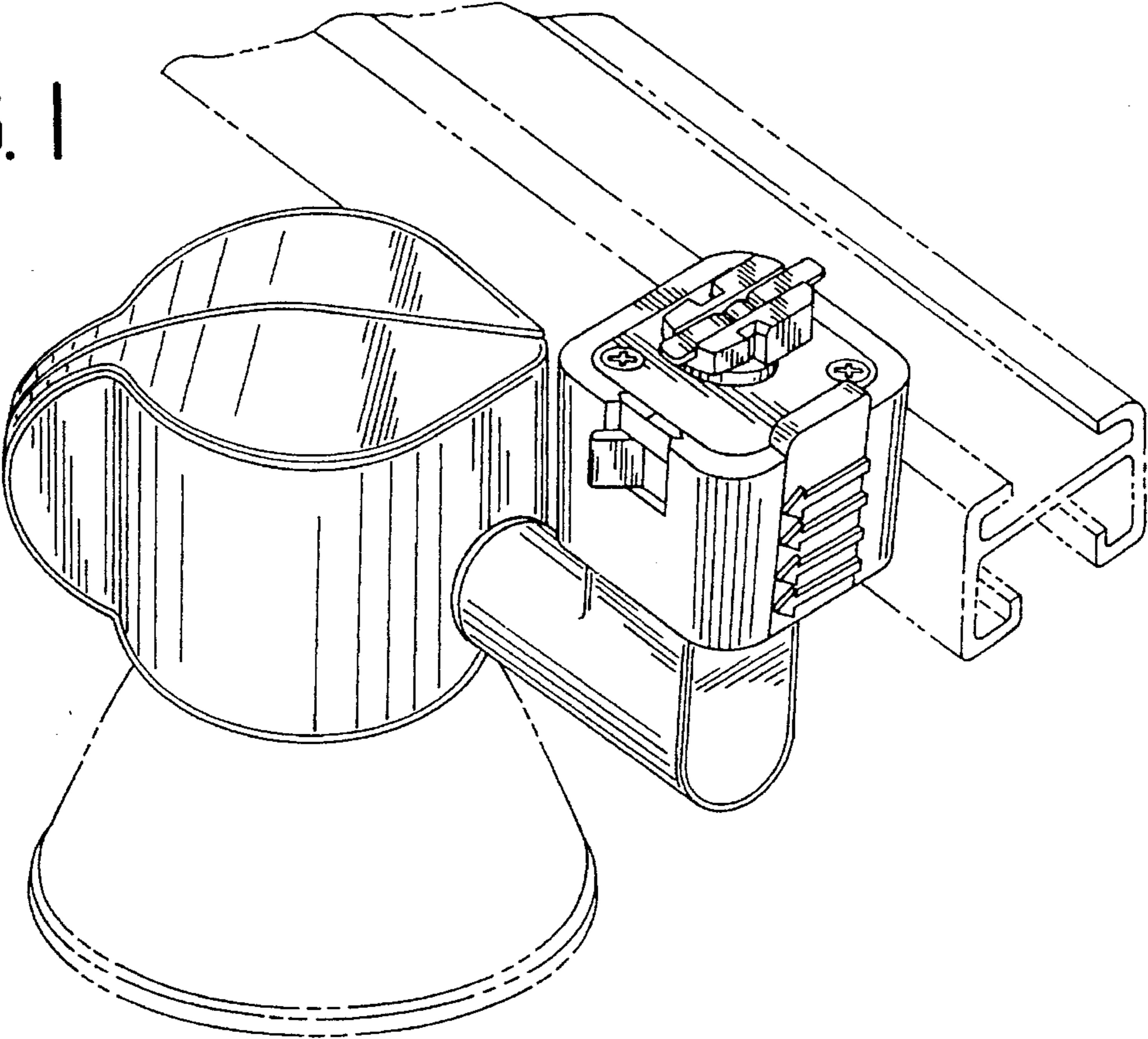
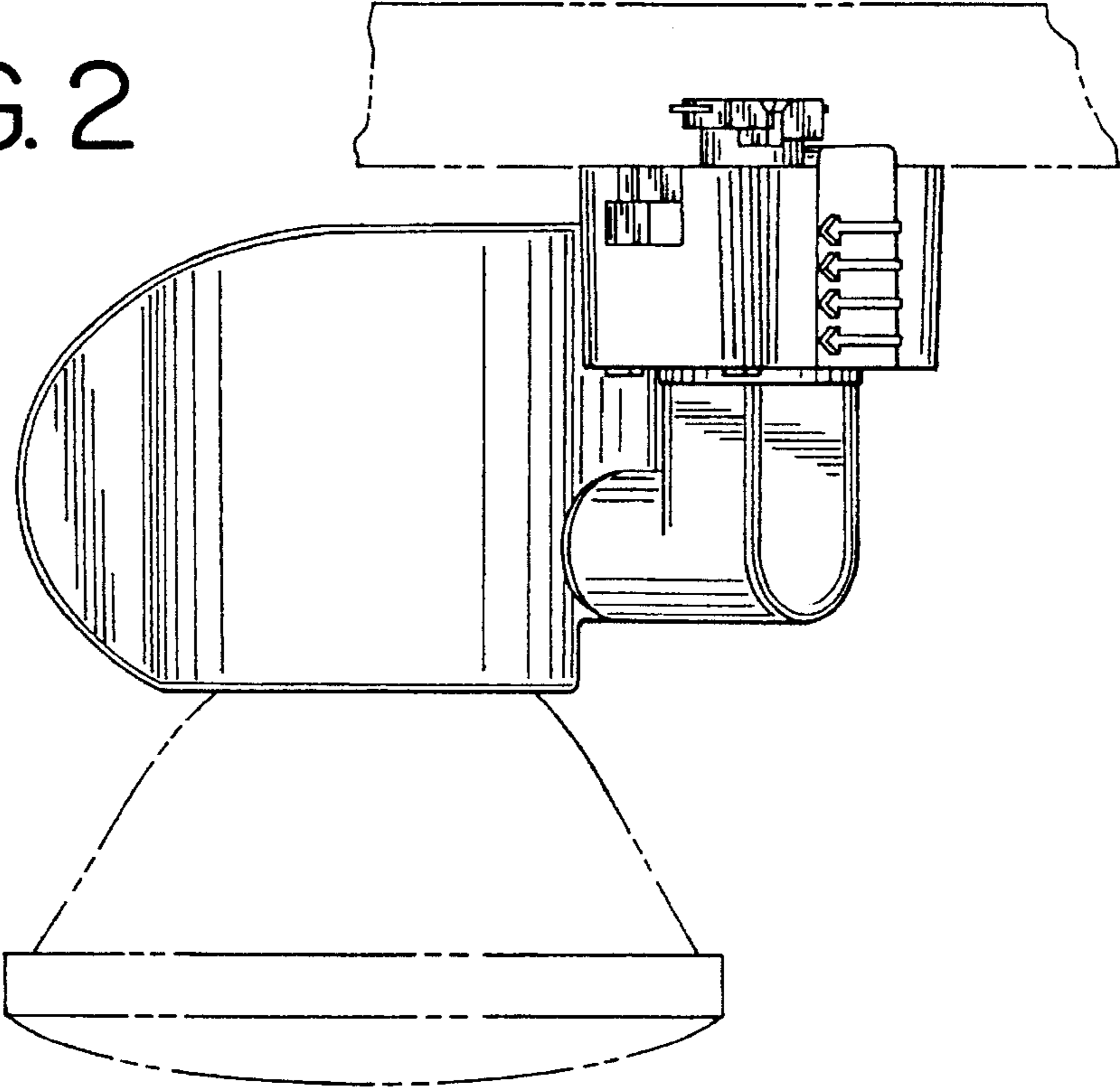


FIG. 2



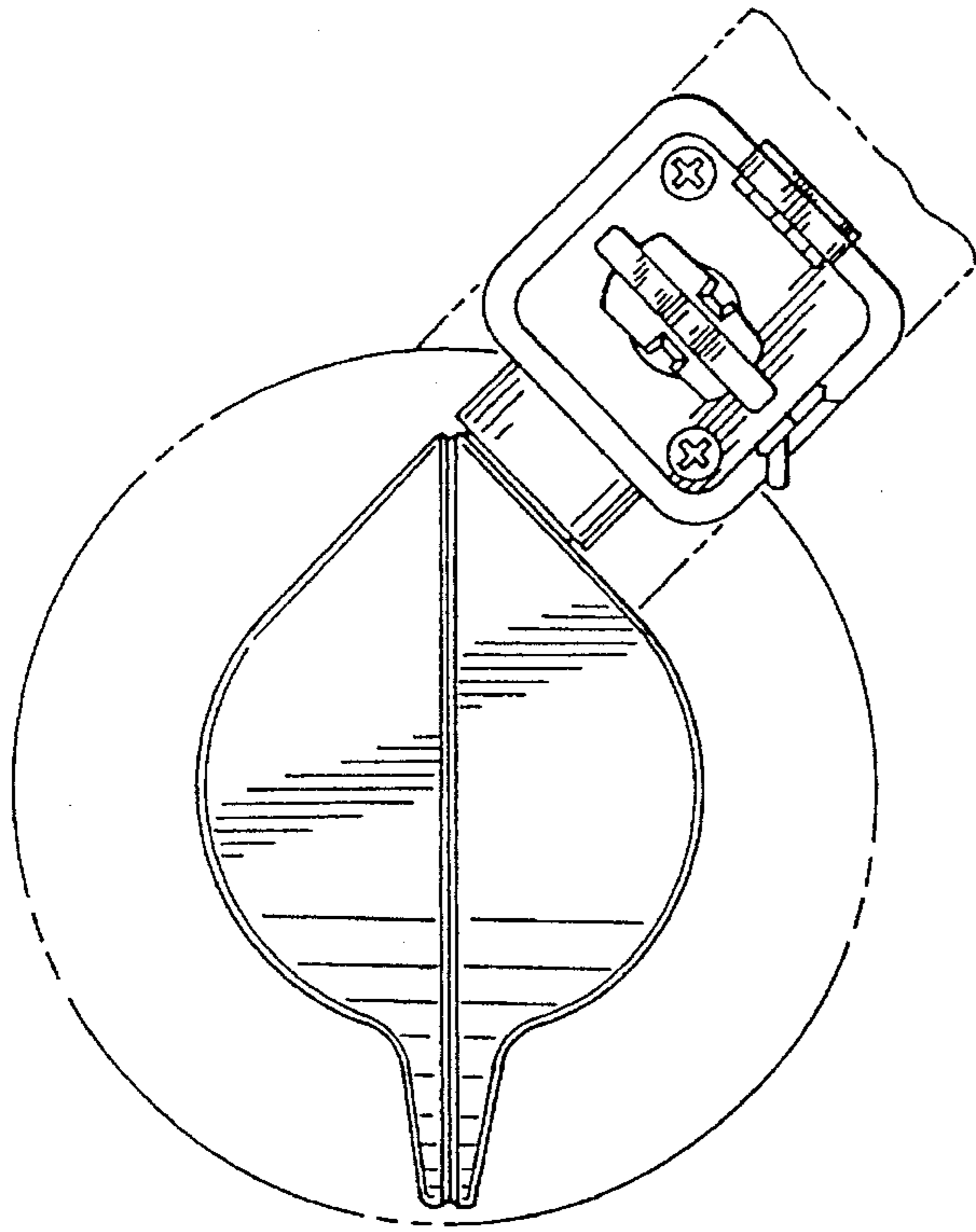


FIG. 4

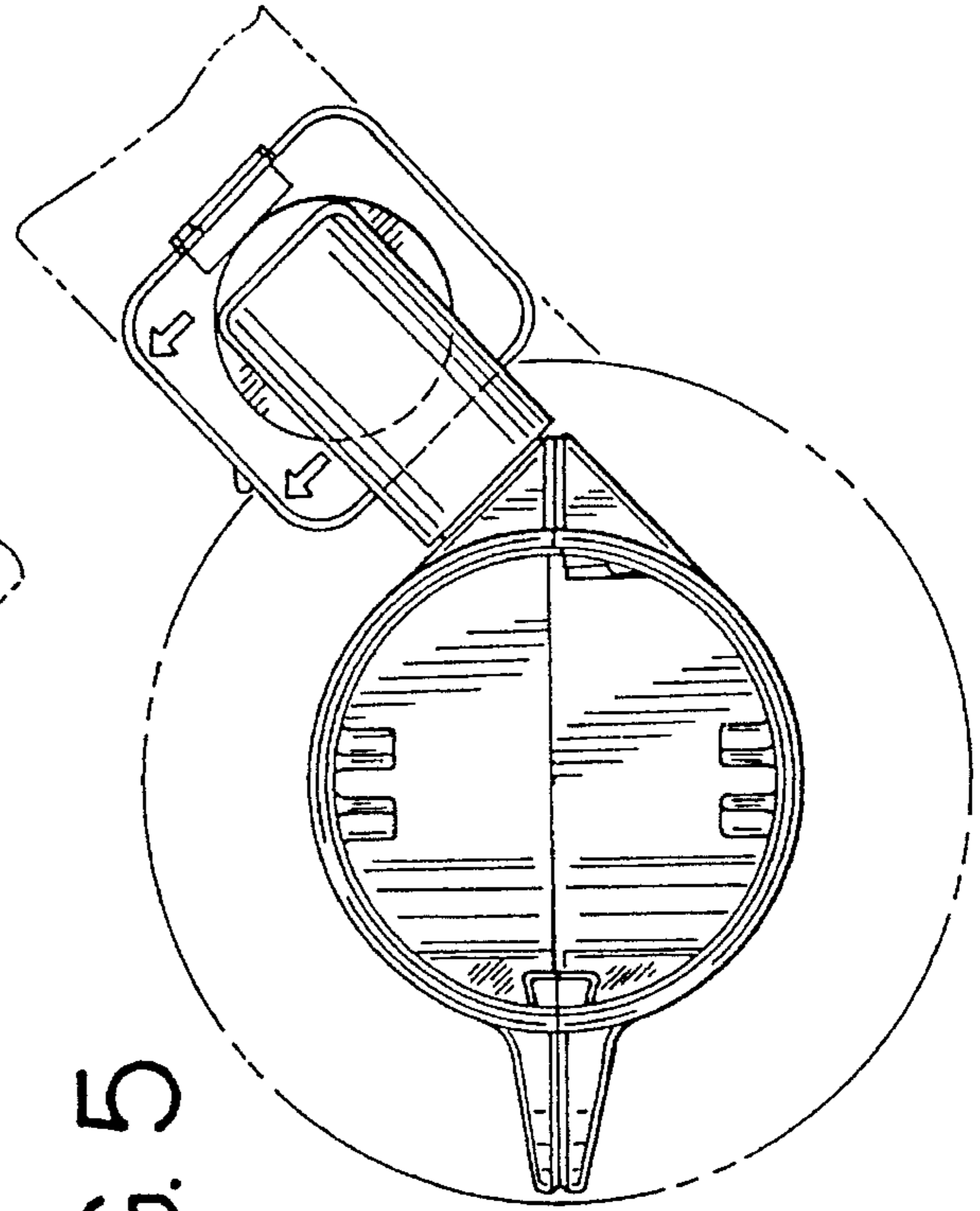


FIG. 5

FIG. 3

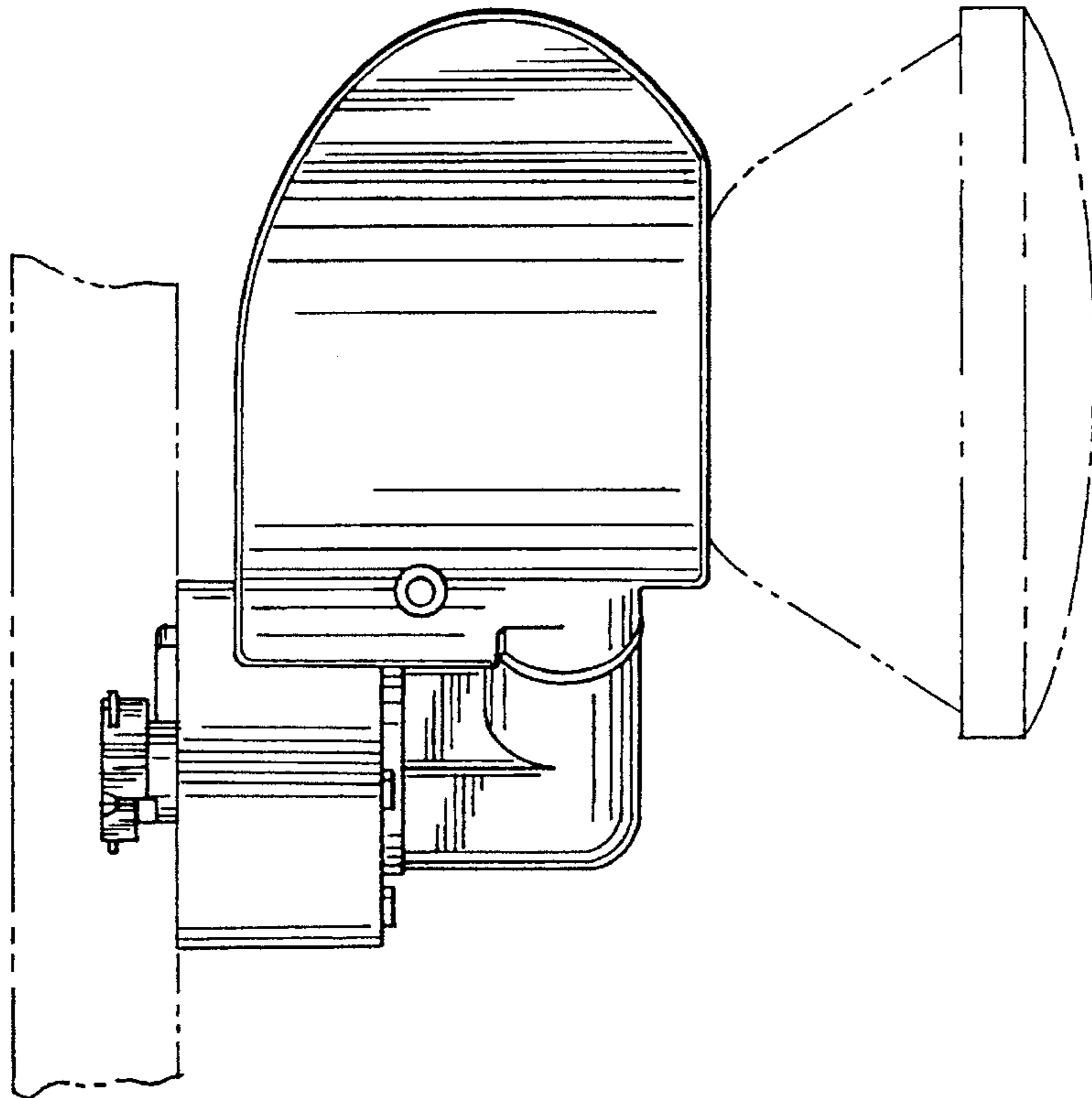


FIG. 7

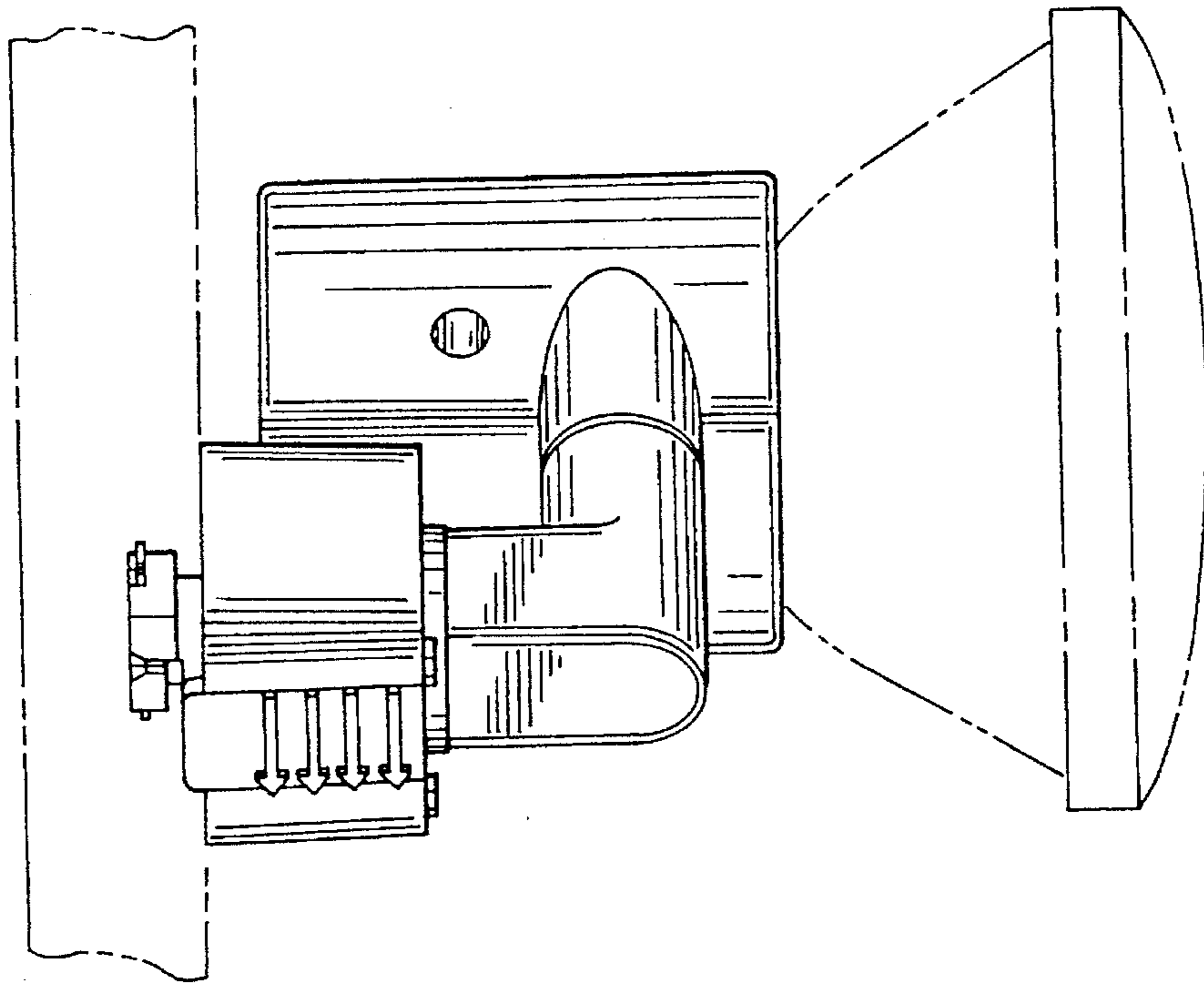


FIG. 6

