



US00D376025S

United States Patent [19]

[11] Patent Number: Des. 376,025

Lewis

[45] Date of Patent: **Nov. 26, 1996

[54] FLASHLIGHT

[75] Inventor: Edward D. Lewis, Danville, Ind.

[73] Assignee: Buztronics, Inc., Indianapolis, Ind.

[**] Term: 14 Years

[21] Appl. No.: 39,908

[22] Filed: Jun. 7, 1995

[52] U.S. Cl. D26/47

[58] Field of Search D26/36-50; 362/157, 362/158, 183, 184, 188-203

[56] **References Cited**

U.S. PATENT DOCUMENTS

D. 112,635	12/1938	Terris	D26/46
D. 328,357	7/1992	Schneider	D26/46
D. 340,306	10/1993	Friend et al.	D26/47
D. 355,272	2/1995	Chabria	D26/46
D. 367,087	2/1996	Mathews	D26/39
3,206,594	9/1965	Brown	D26/47

Primary Examiner—Marcus A. Jackson
Attorney, Agent, or Firm—Brinks Hofer Gilson & Lione

[57] **CLAIM**

The ornamental design for a flashlight, as shown and described.

DESCRIPTION

FIG. 1 is a perspective view of a flashlight showing my new design;

FIG. 2 is a front elevational view thereof, with the opposite sides being a mirror image, except for the omission of the light portion;

FIG. 3 is a perspective view of a second second embodiment thereof;

FIG. 4 is a side elevational view thereof, with the opposite side being a mirror image;

FIG. 5 is a top plan view thereof, with the bottom being a mirror image;

FIG. 6 is a perspective view of a third embodiment thereof;

FIG. 7 is a front elevational view thereof, with the opposite sides being a mirror image, except for the omission of the light portions;

FIG. 8 is a perspective view of a fourth embodiment thereof;

FIG. 9 is a side elevational view thereof, with the opposite being a mirror image;

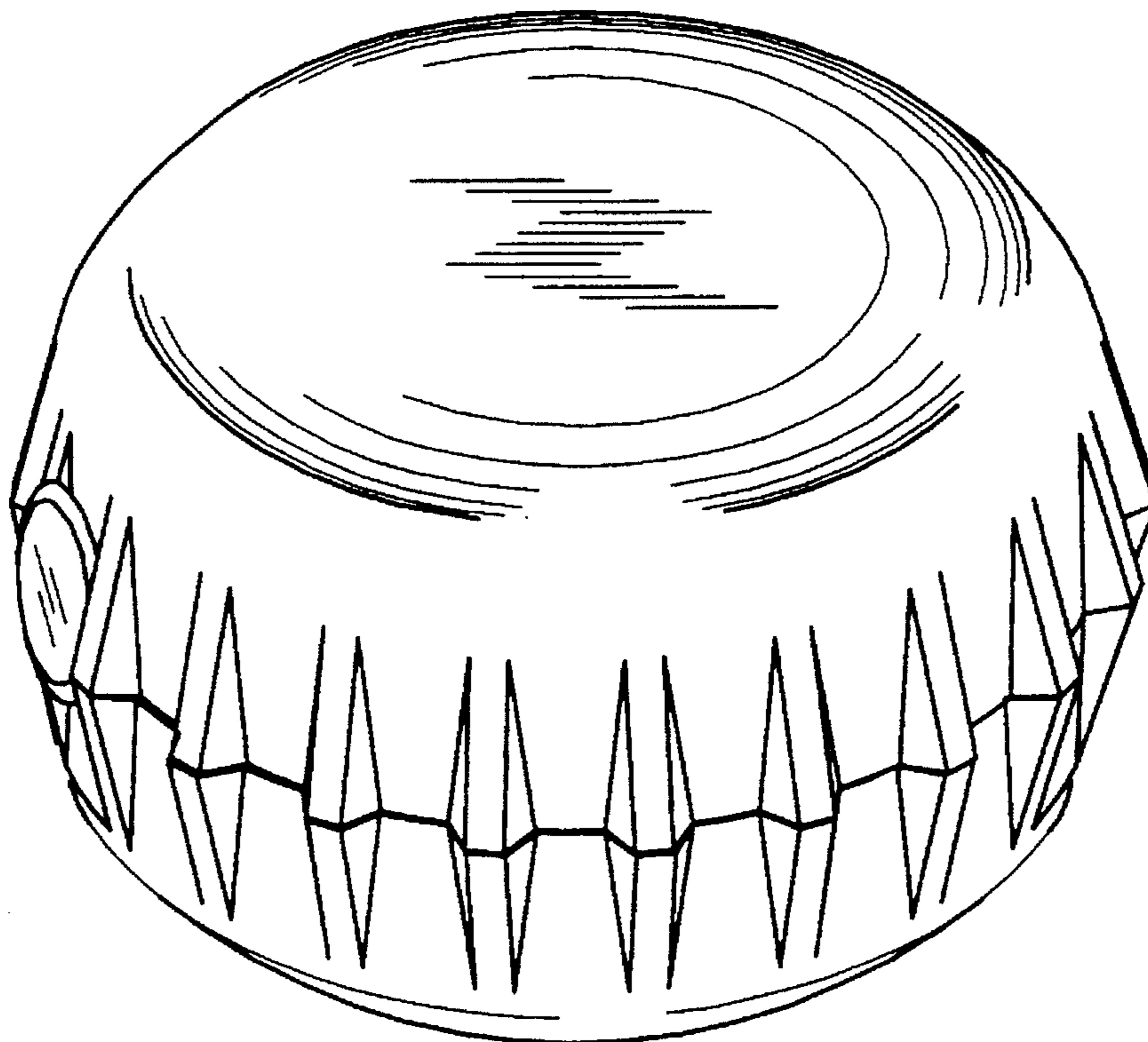
FIG. 10 is a perspective view of a fifth embodiment thereof, wherein the wherein the only difference from the embodiment is the placement of the light portion;

FIG. 11 is a bottom plan view of a sixth embodiment thereof;

FIG. 12 is front elevational view of a seventh embodiment thereof, wherein the opposite sides are a mirror image, and the only difference, from the fifth embodiment is the omission of the ridges on the bottom half;

FIG. 13 is a top, plan view of a eight embodiment thereof, wherein the only difference from the sixth embodiment is the omission of the ridges.

1 Claim, 8 Drawing Sheets



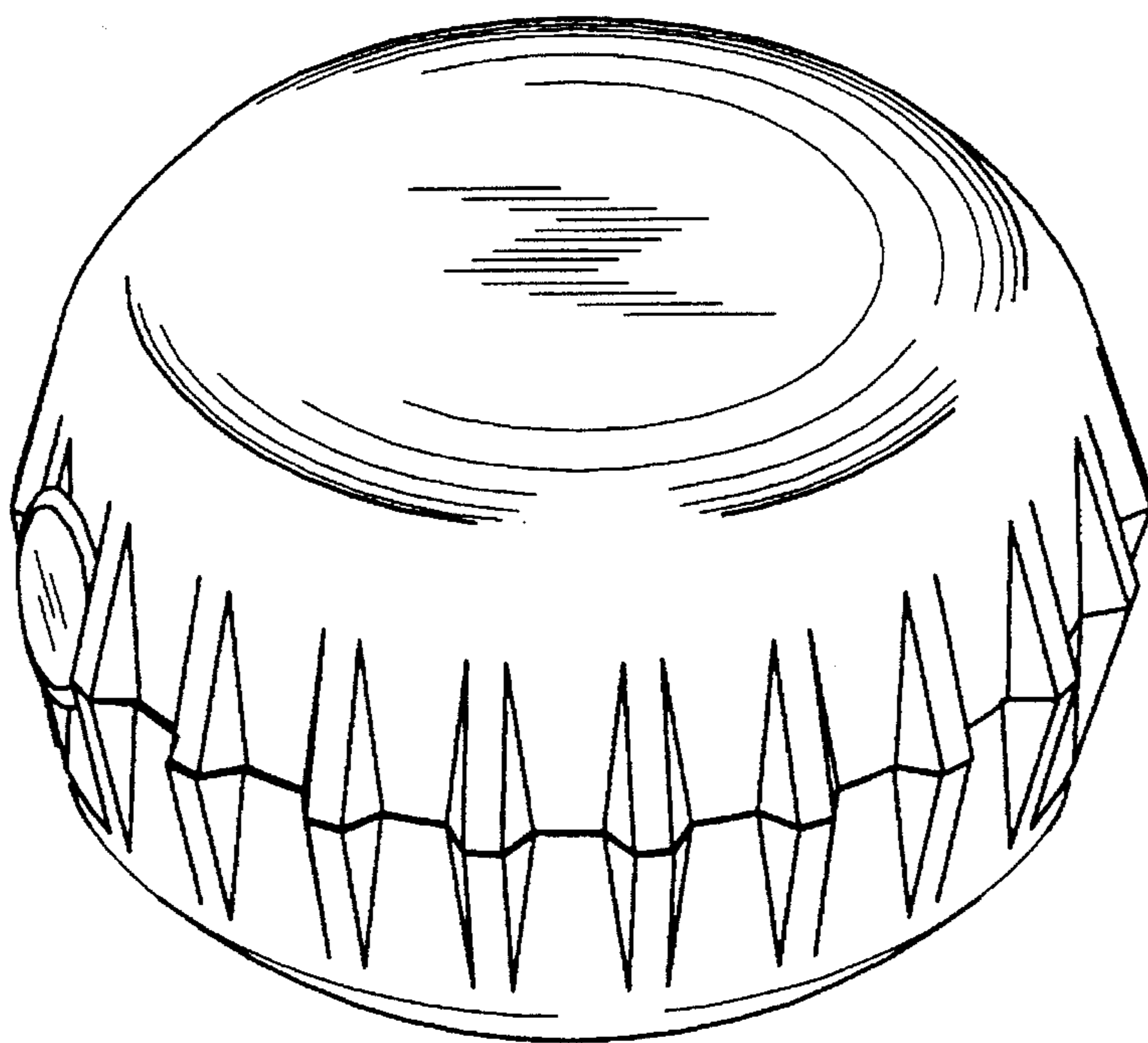


Fig. 1

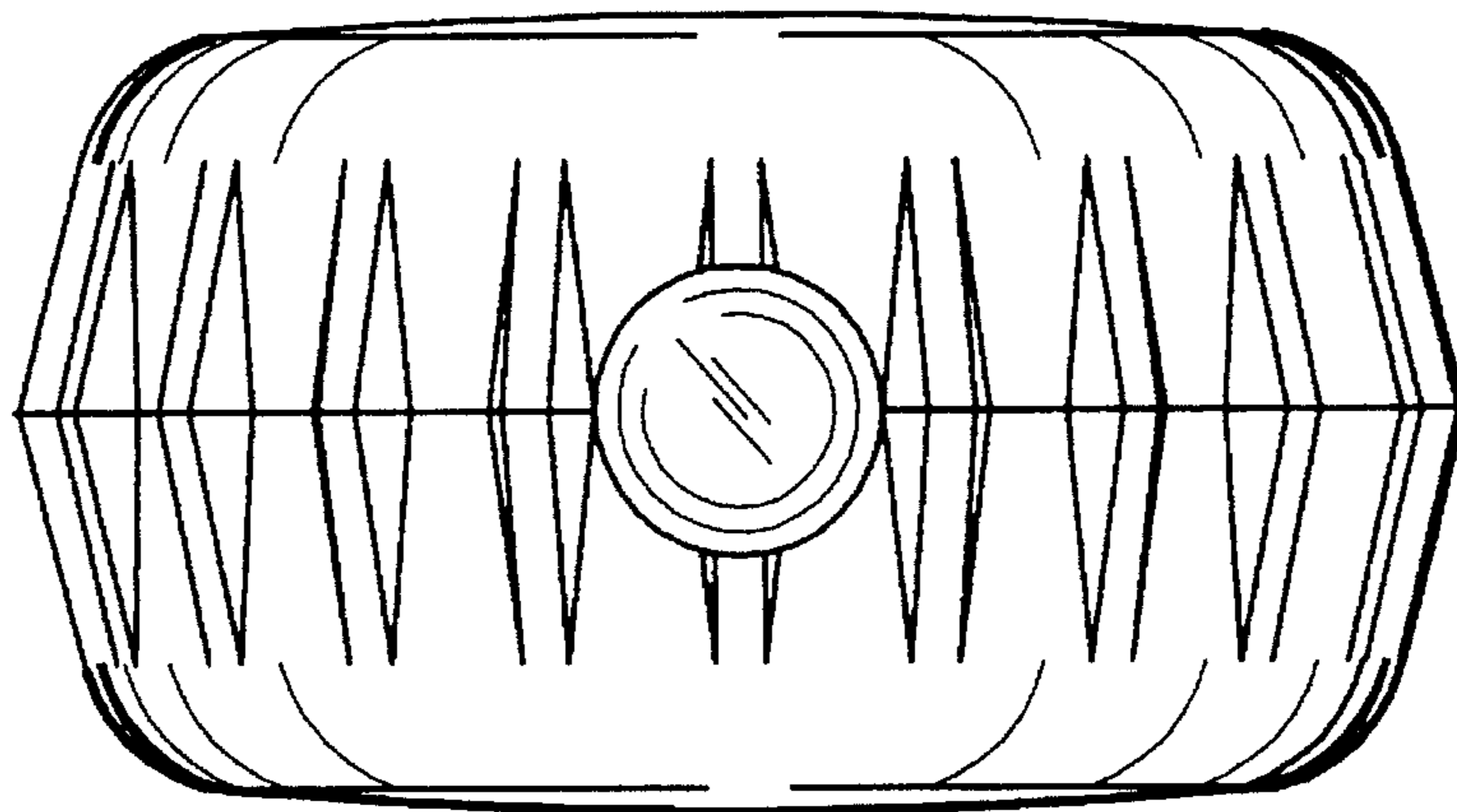


Fig. 2

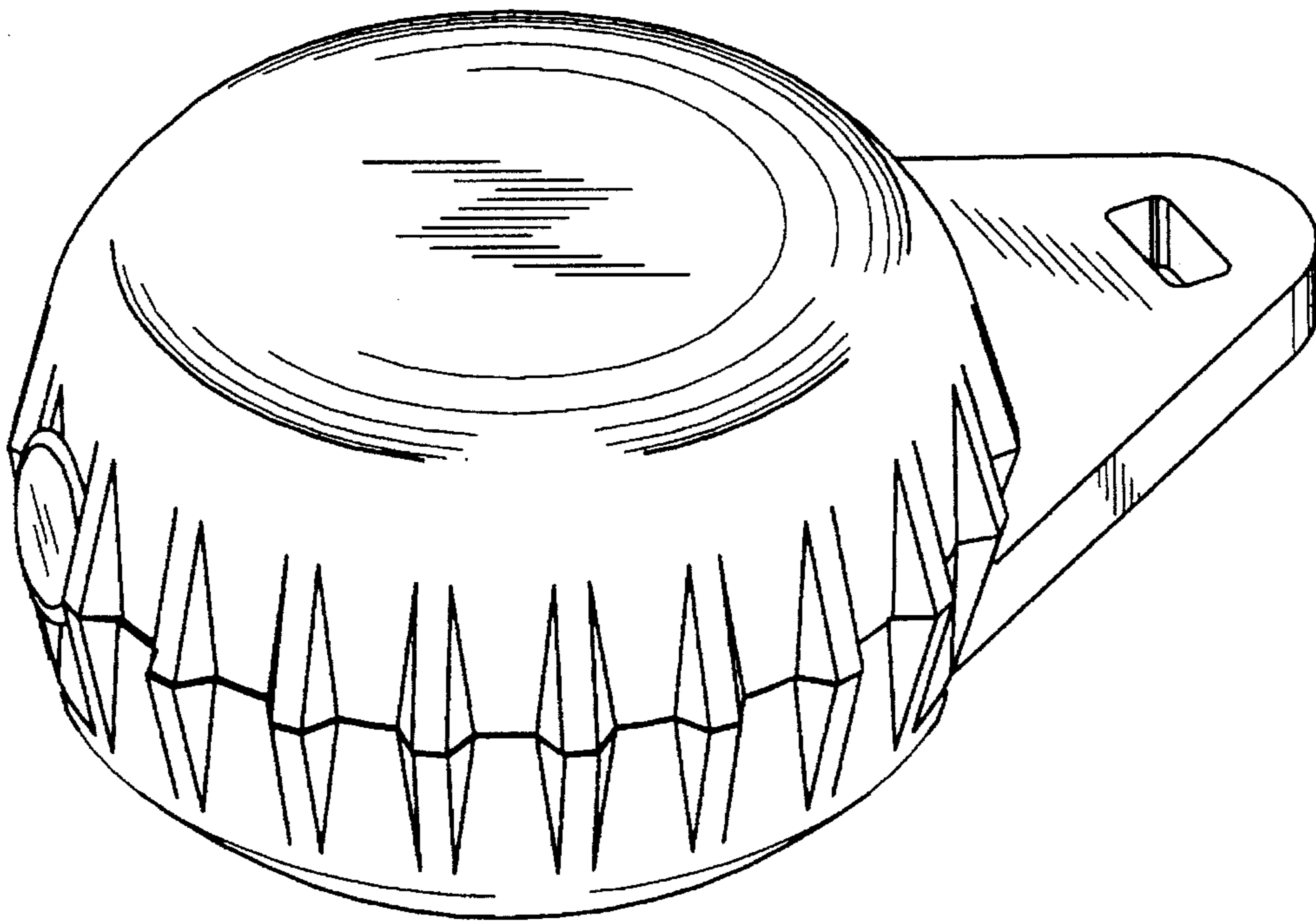


Fig. 3

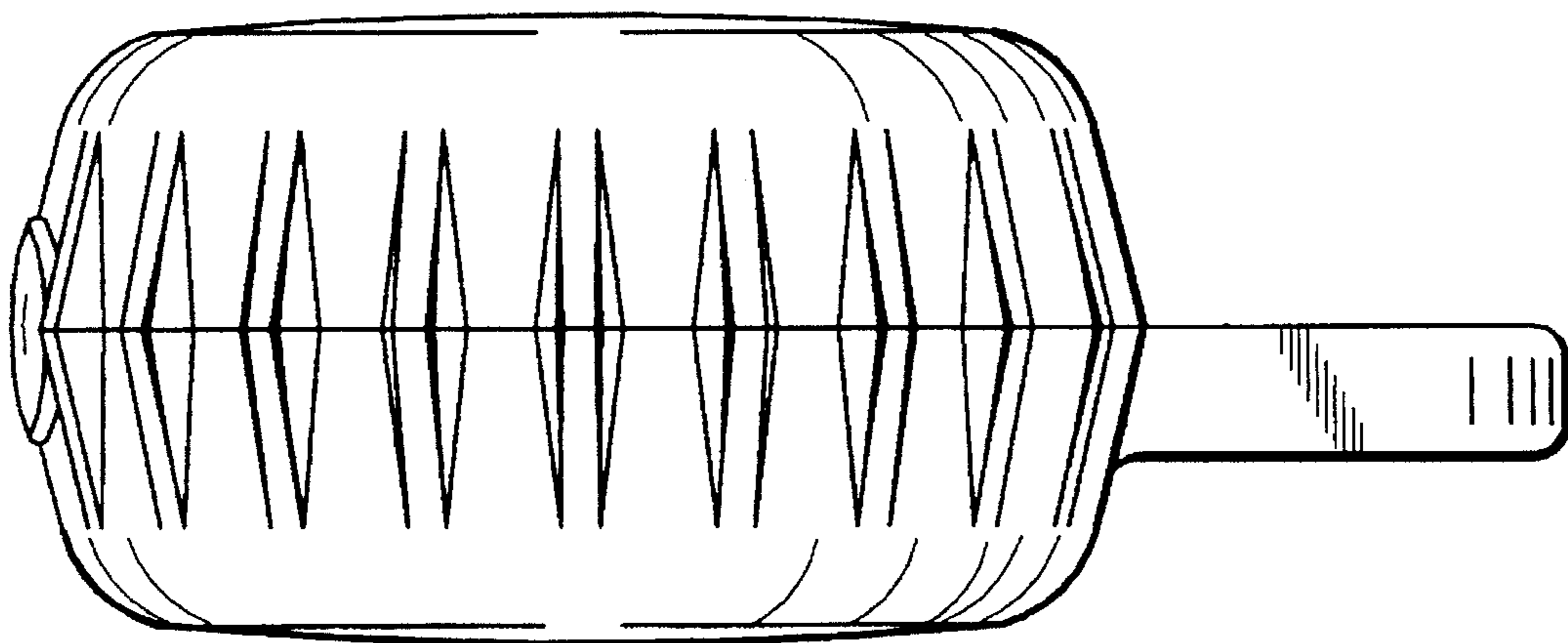


Fig. 4

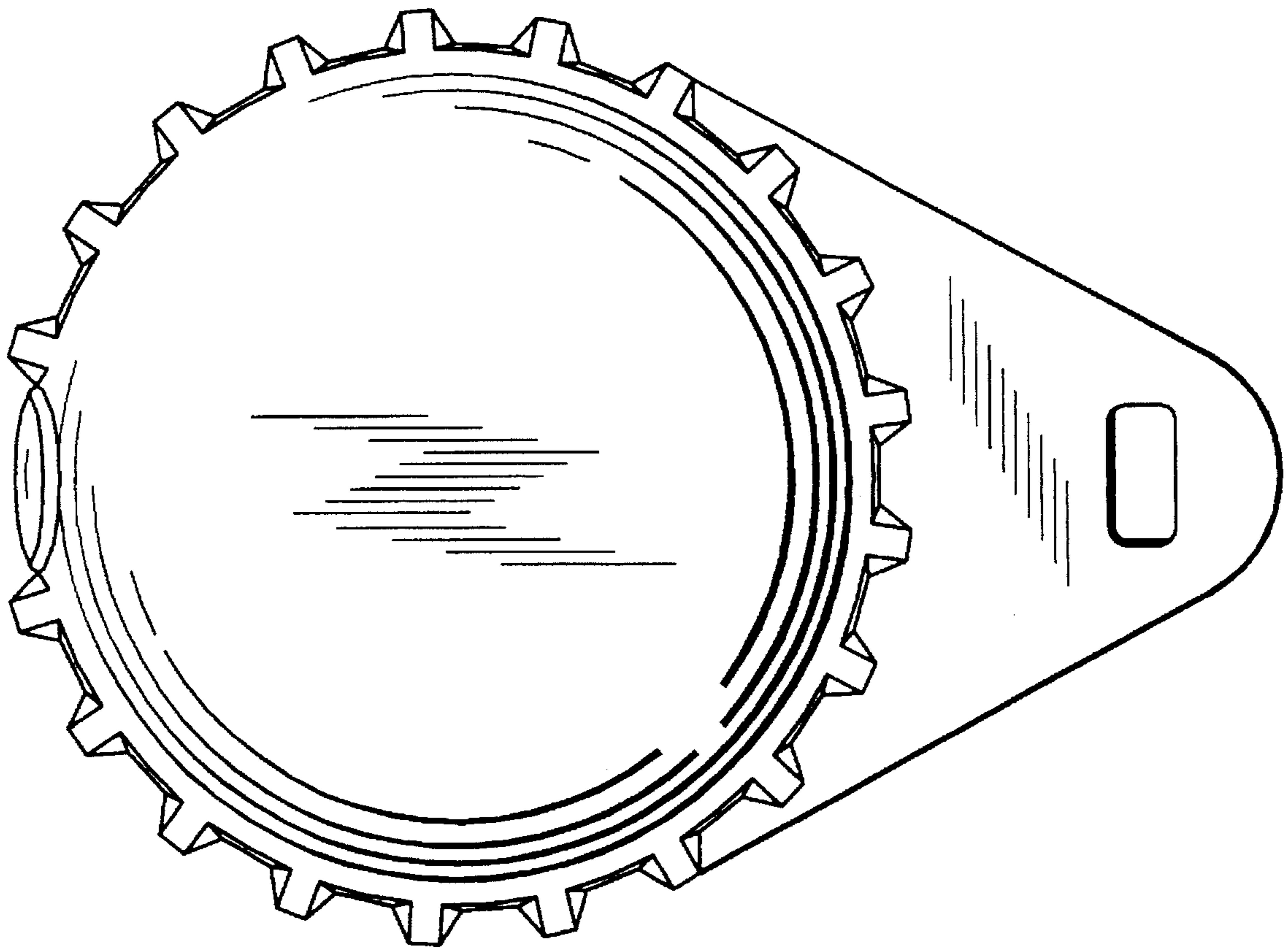


Fig. 5

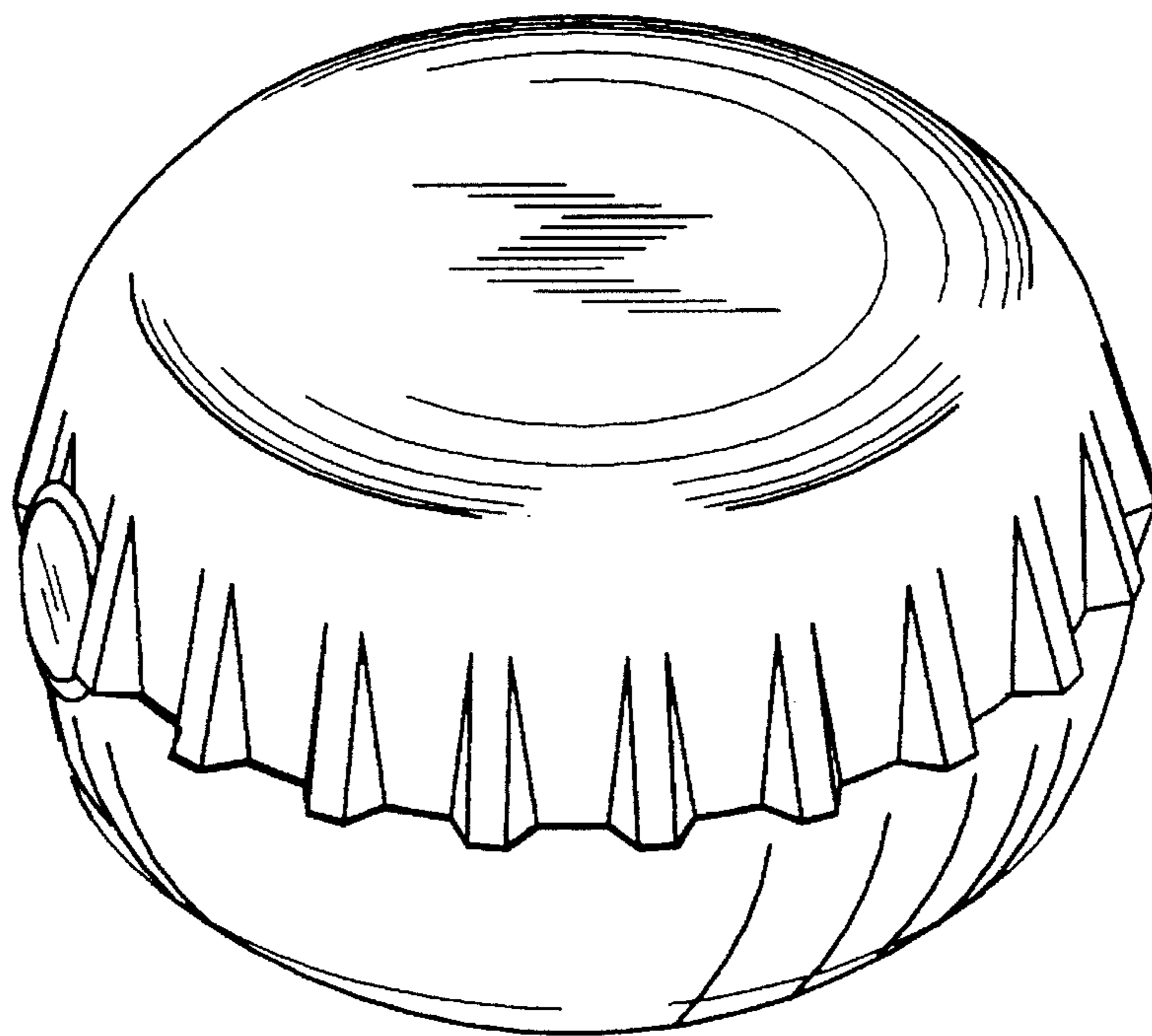


Fig. 6

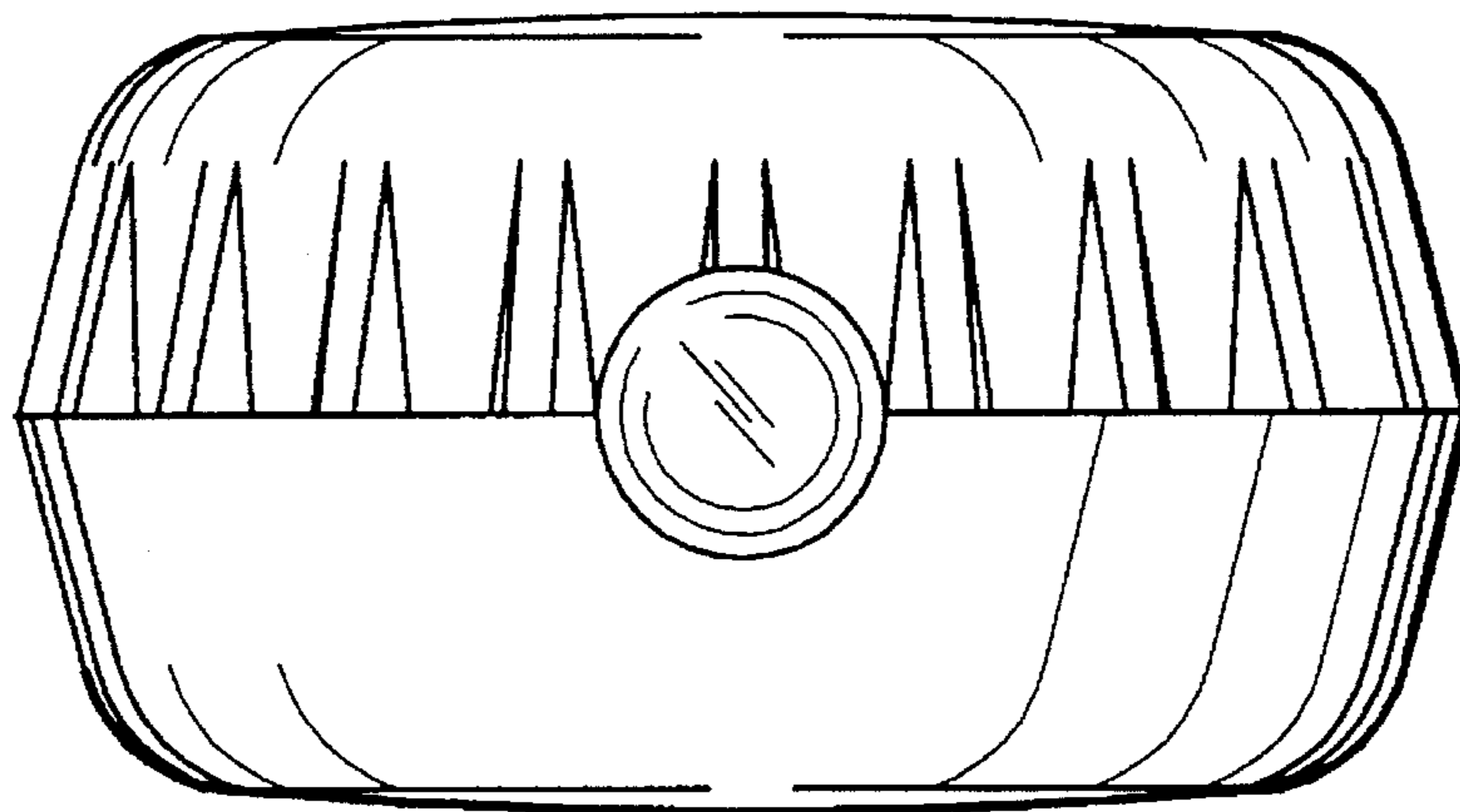


Fig. 7

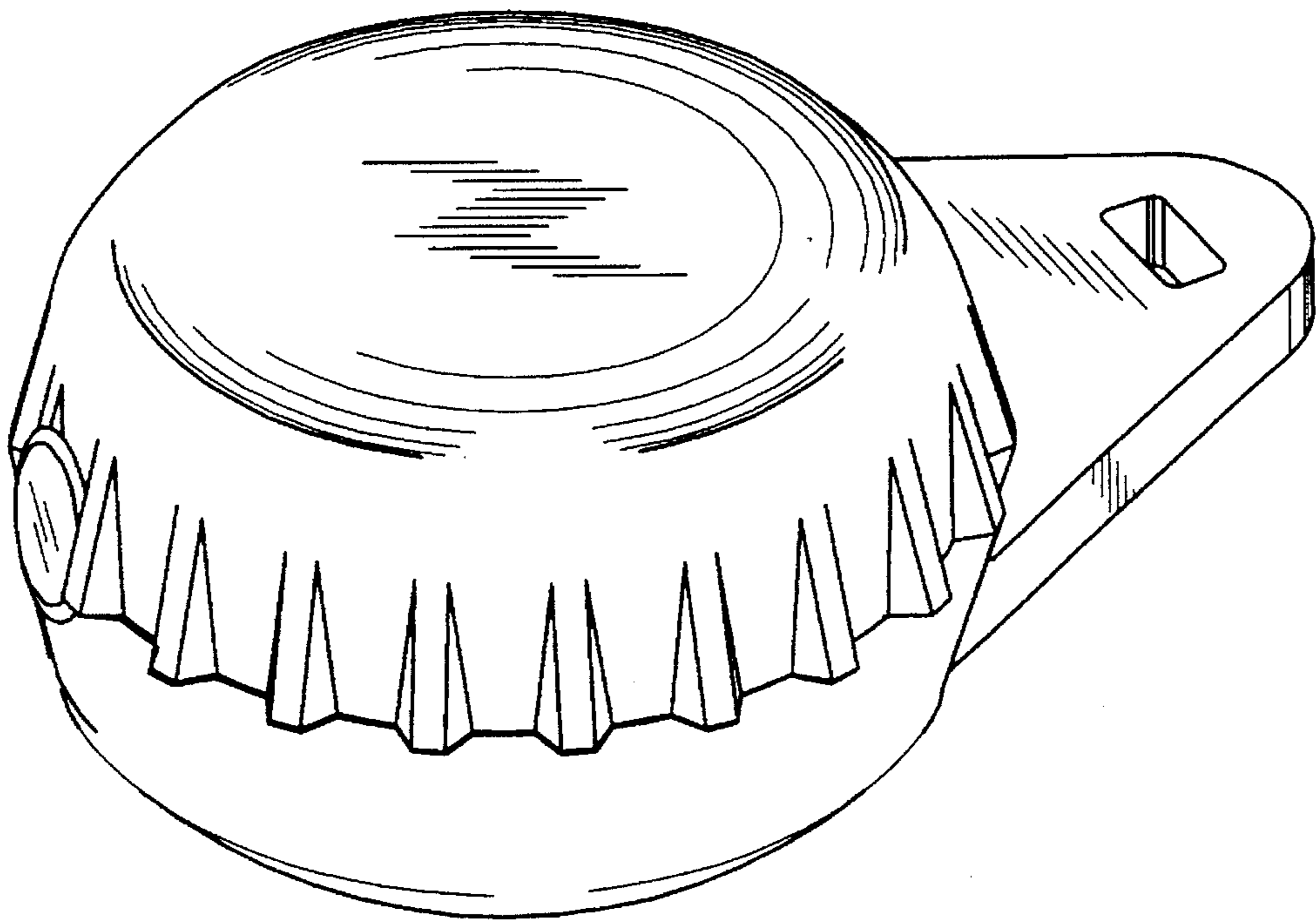


Fig. 8

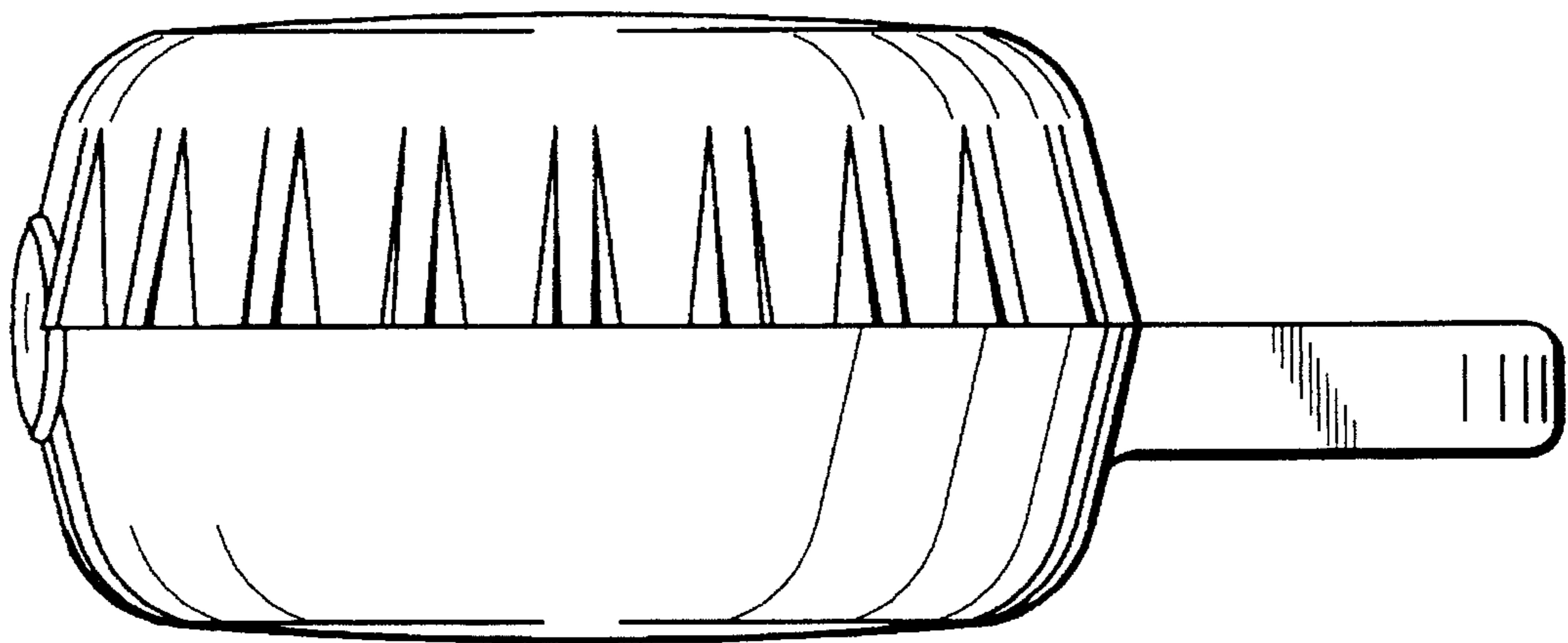


Fig. 9

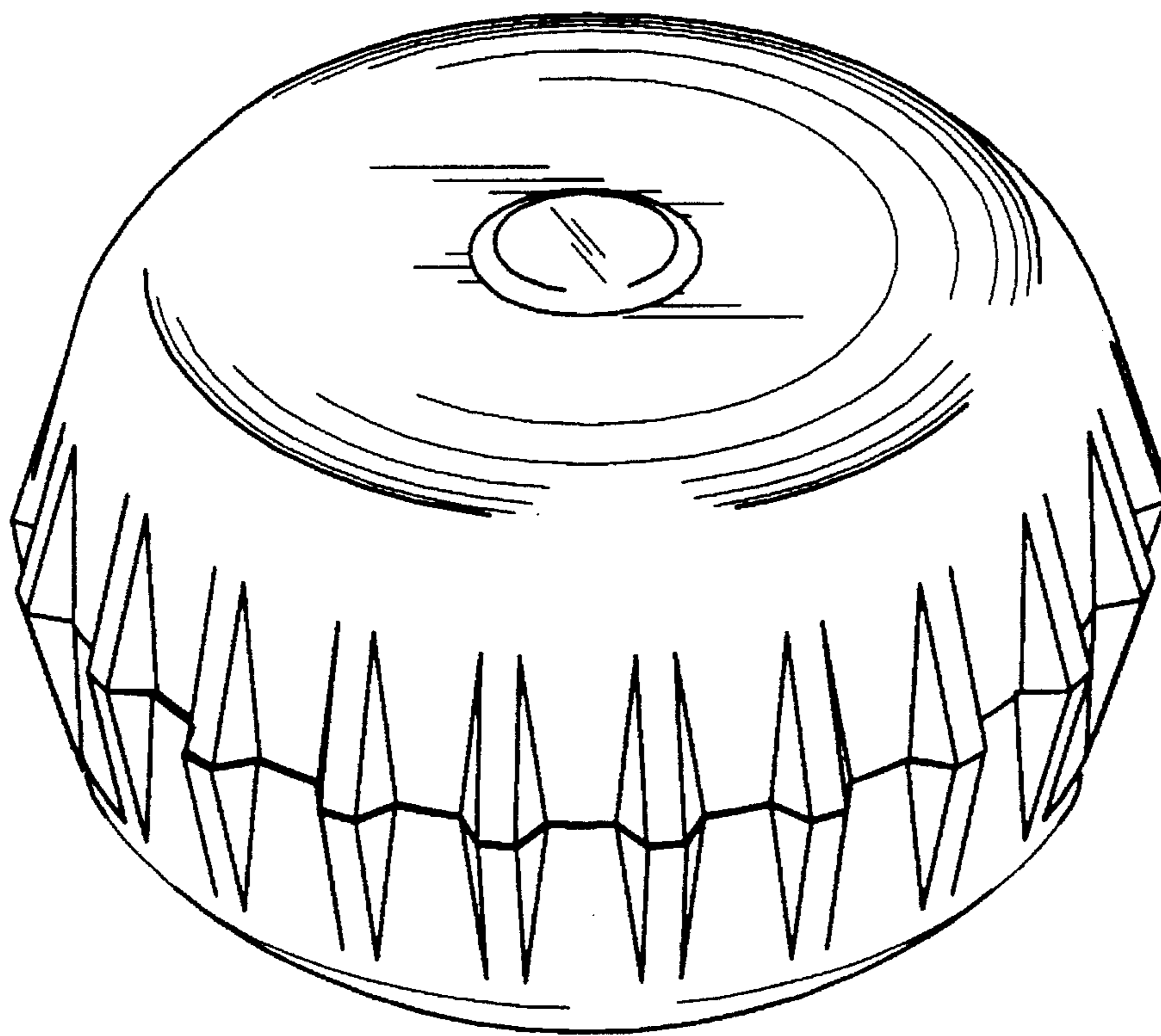


Fig. 10

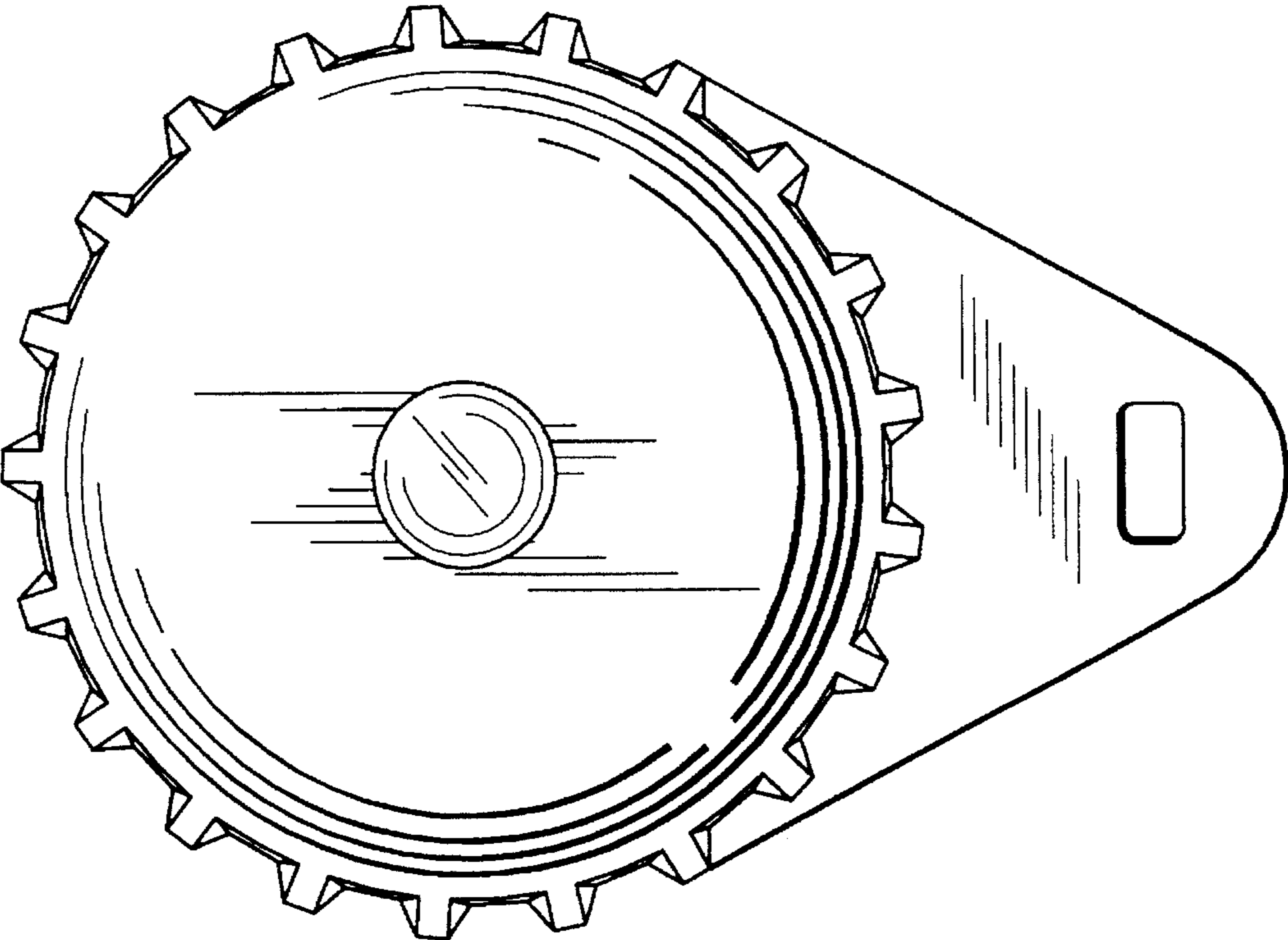


Fig. 11

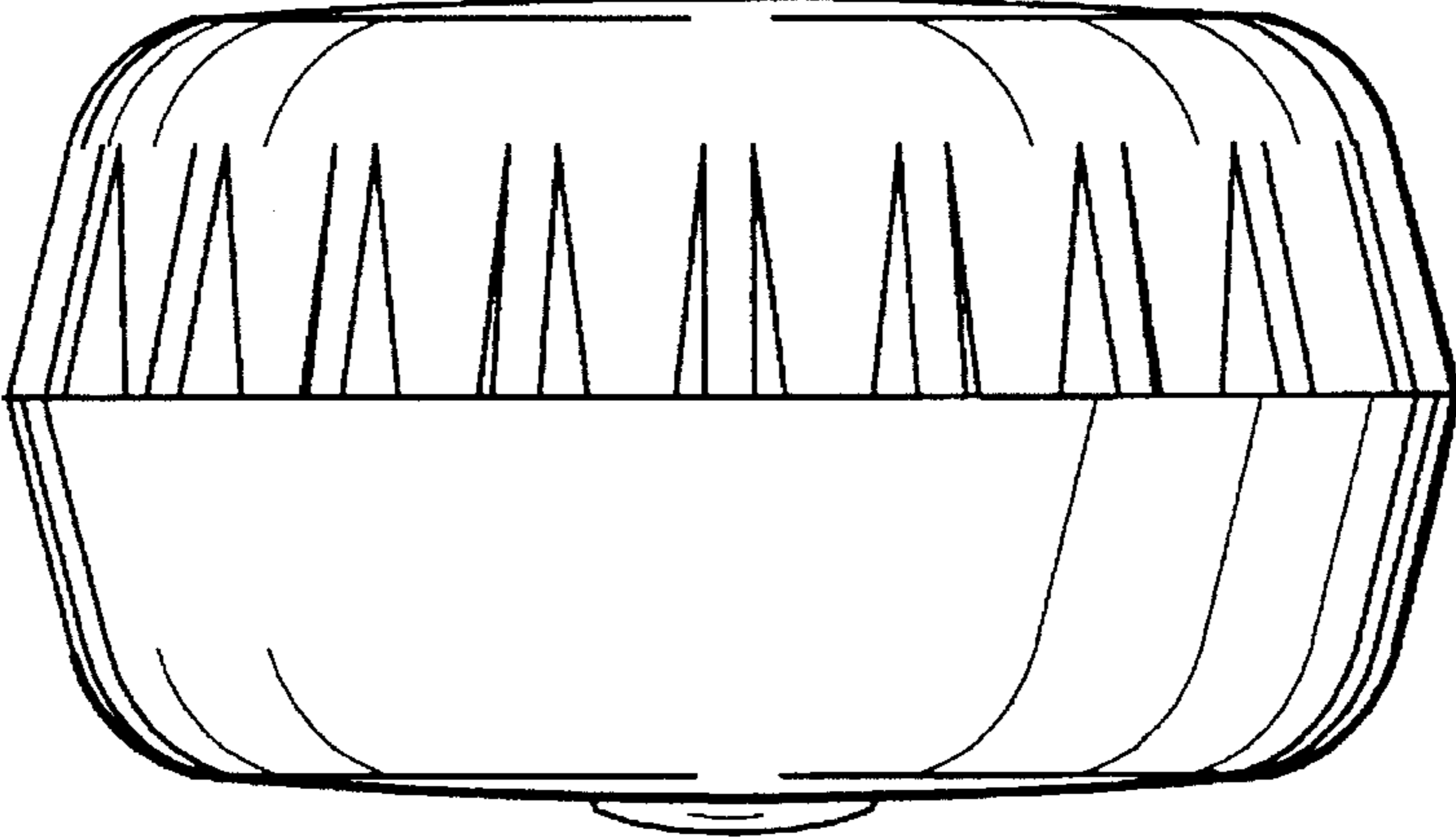


Fig. 12

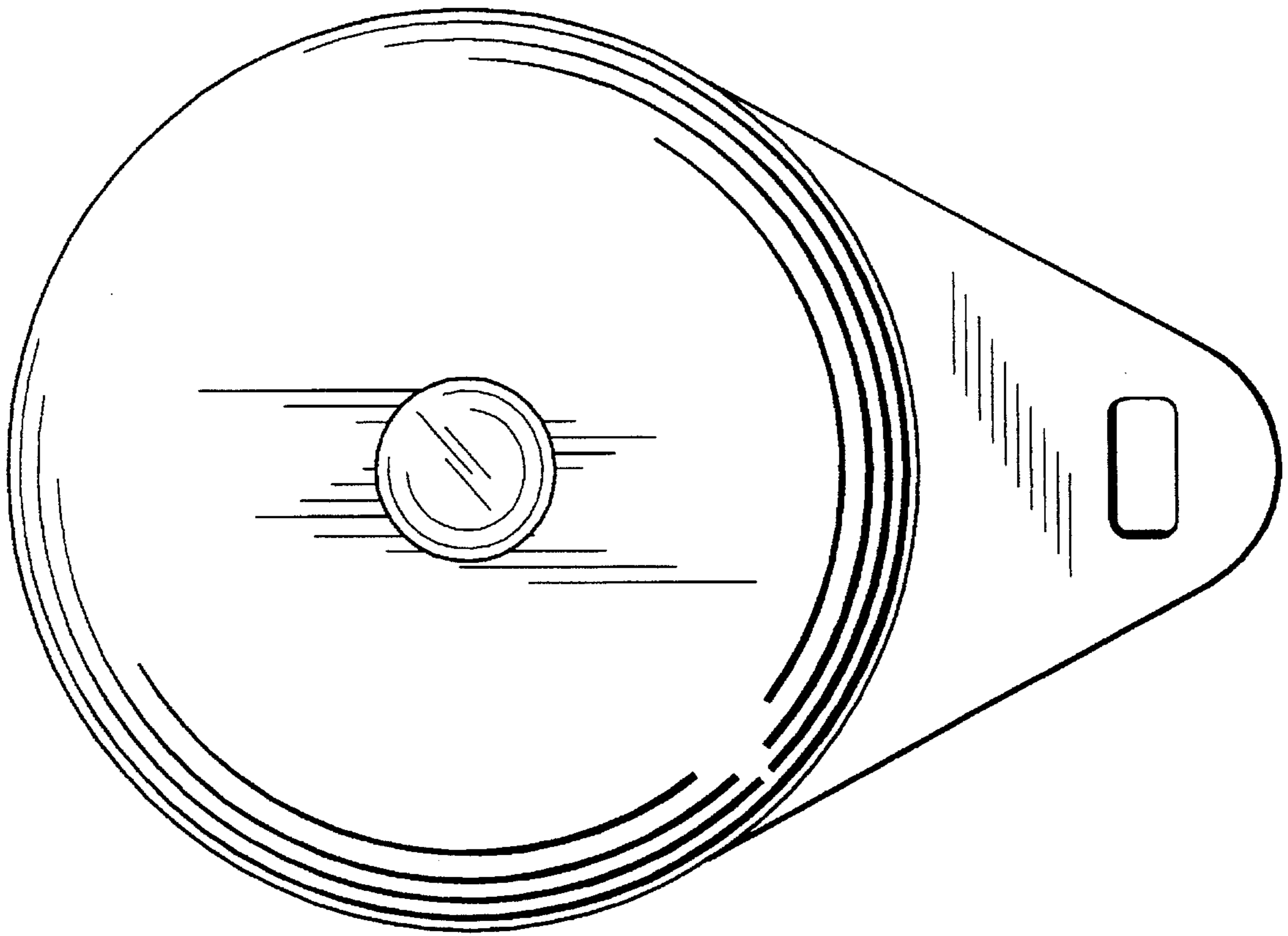


Fig. 13

UNITED STATES PATENT AND TRADEMARK OFFICE
CERTIFICATE OF CORRECTION

Des. 376,025

PATENT NO. :

DATED : November 26, 1996

INVENTOR(S) : Edward D. Lewis

It is certified that error appears in the above-identified patent and that said Letters Patent is hereby corrected as shown below:

In the Description at paragraph 10 beginning "FIG. 10 is a...", delete "wherein the".

In the Description at paragraph 13 beginning "FIG. 13 is a...", delete "a eight", and insert therefor --an eighth--.

Signed and Sealed this
Tenth Day of June, 1997

Attest:



BRUCE LEHMAN

Attesting Officer

Commissioner of Patents and Trademarks