



US00D376024S

United States Patent [19]

Ryan

[11] Patent Number: **Des. 376,024**

[45] Date of Patent: ****Nov. 26, 1996**

[54] **CYLINDER HANDLE**

4,479,171 10/1984 Mains D22/117 X

[76] Inventor: **John P. Ryan**, 1028 E. Glade, Mesa, Ariz. 85204

Primary Examiner—Dominic Simone
Attorney, Agent, or Firm—Jordan M. Meschkow; Lowell W. Gresham; Mark M. Takahashi

[**] Term: **14 Years**

[57] **CLAIM**

[21] Appl. No.: **30,826**

The ornamental design for a cylinder handle, as shown and described.

[22] Filed: **Nov. 9, 1994**

[52] U.S. Cl. **D26/41; D22/117**

DESCRIPTION

[58] **Field of Search** 273/84 ES, 84 R; 362/208, 399; D22/117; D26/138, 142, 155, 41, 37; D8/308

FIG. 1 is a front perspective view of a cylinder handle showing my new design, the flashlight and mounting screws shown in broken lines for illustrative purposes only;

[56] **References Cited**

U.S. PATENT DOCUMENTS

D. 137,823	5/1944	Tornblom	D26/138
D. 272,718	2/1984	Knudson	D8/382 X
D. 321,765	11/1991	Morse	D26/138
D. 354,814	4/1994	Wright, III	D26/138
2,707,228	4/1955	Philipson	D26/138 X

FIG. 2 is a front elevational view thereof;

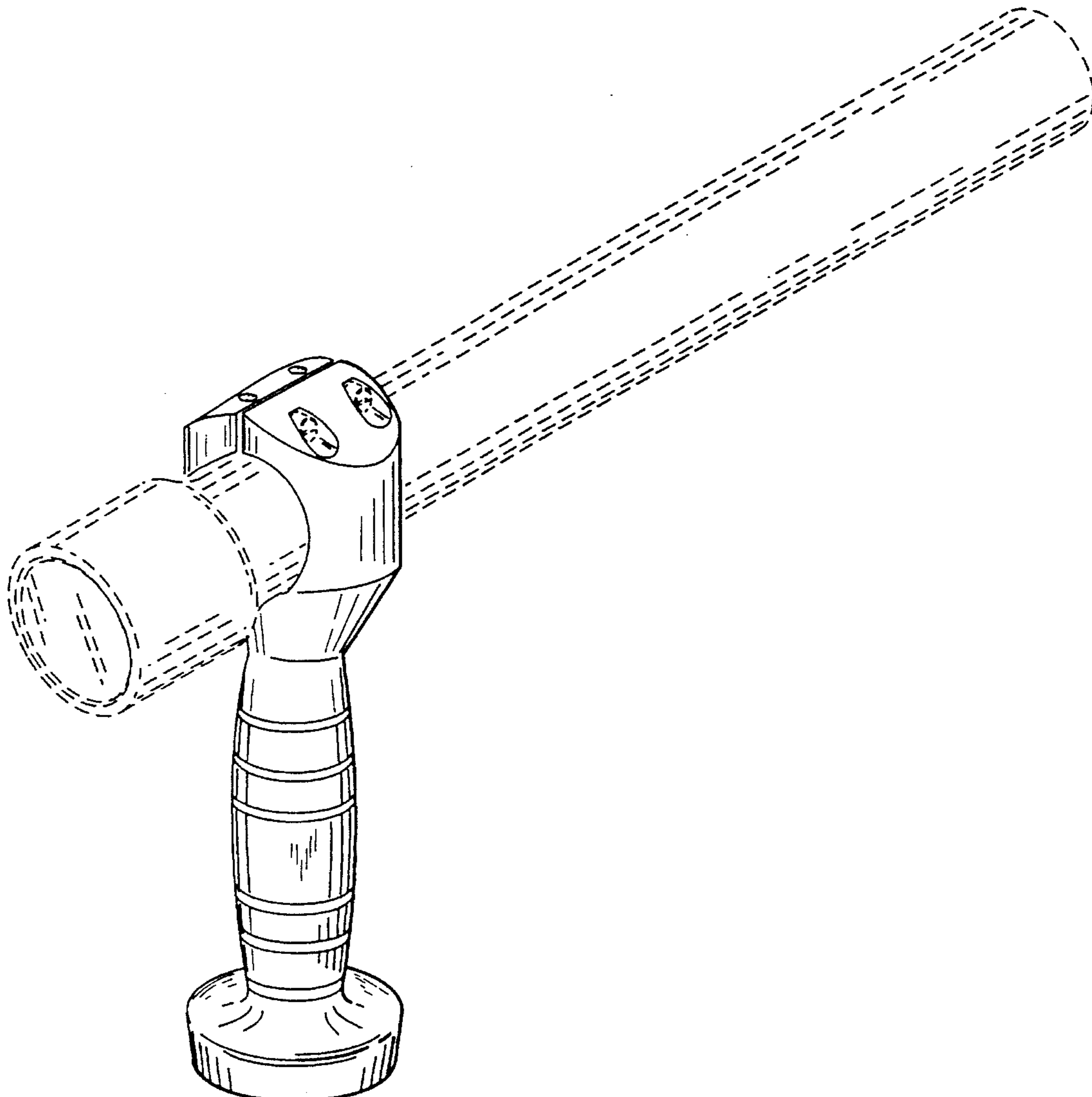
FIG. 3 is a right side elevational view thereof;

FIG. 4 is a left side elevational view thereof;

FIG. 5 is a bottom plan view thereof; and,

FIG. 6 is a top plan view thereof.

1 Claim, 2 Drawing Sheets



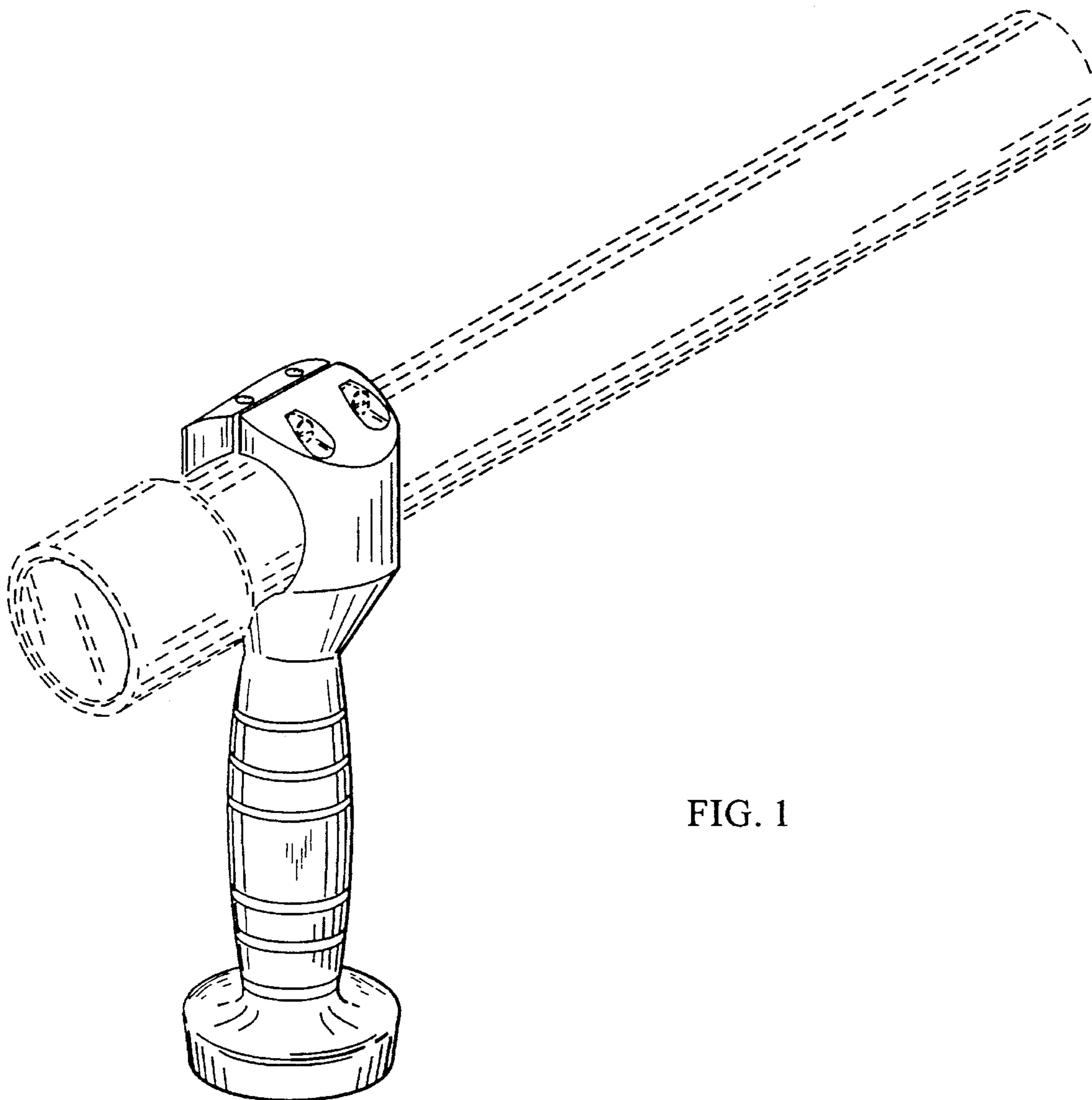


FIG. 1

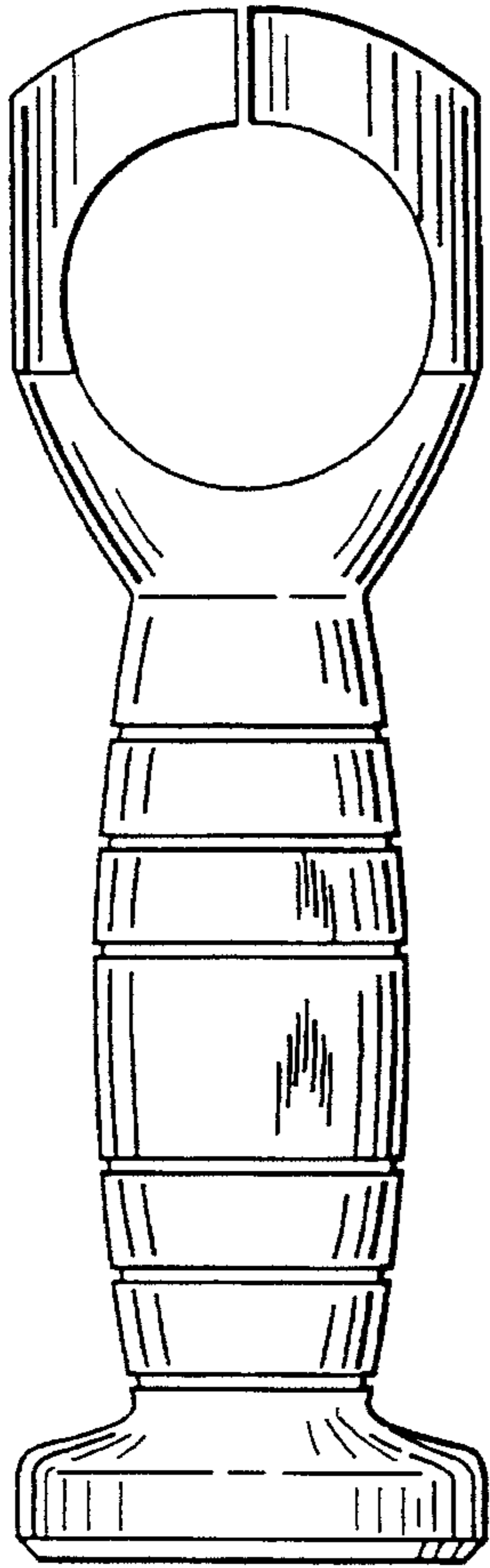


FIG. 2

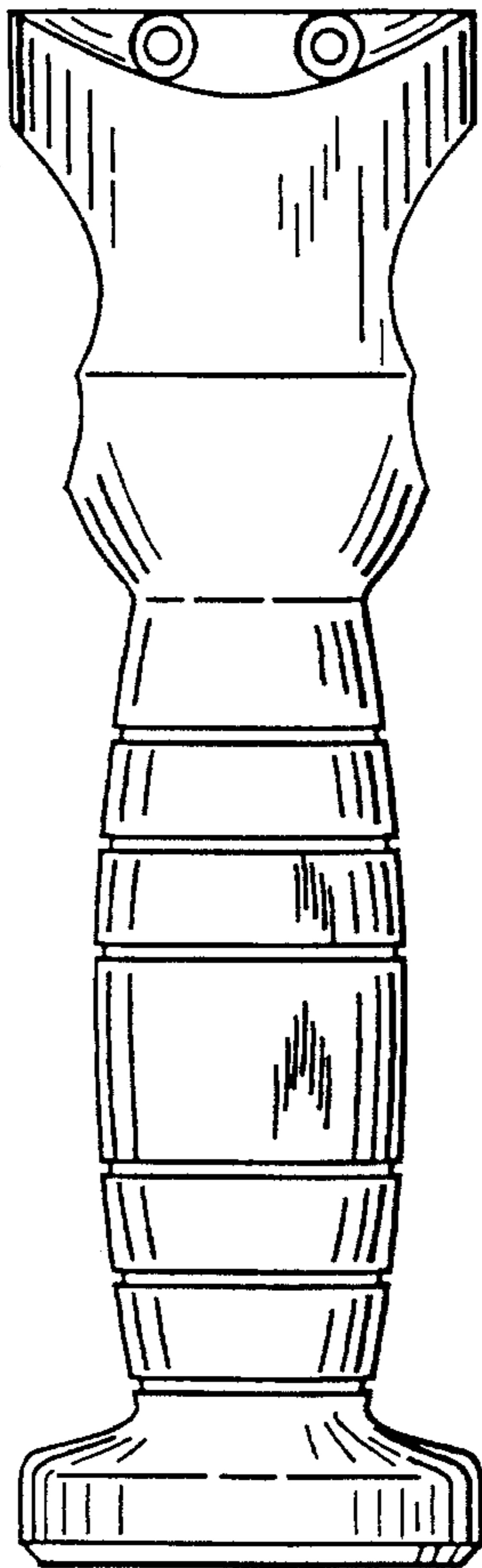


FIG. 3

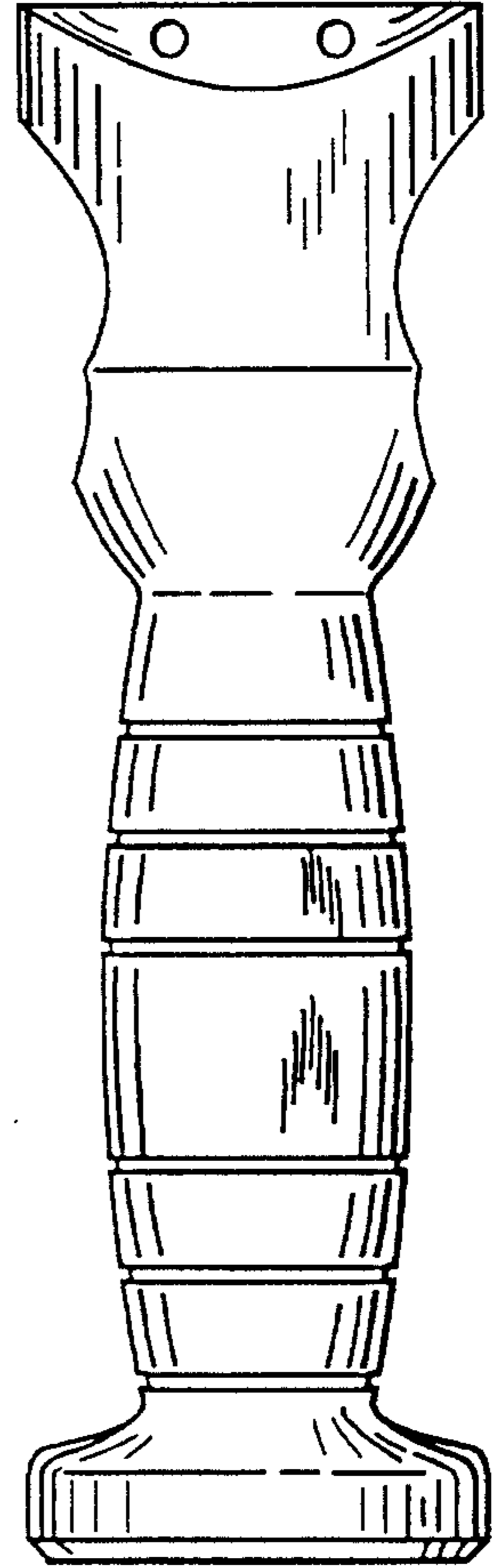


FIG. 4

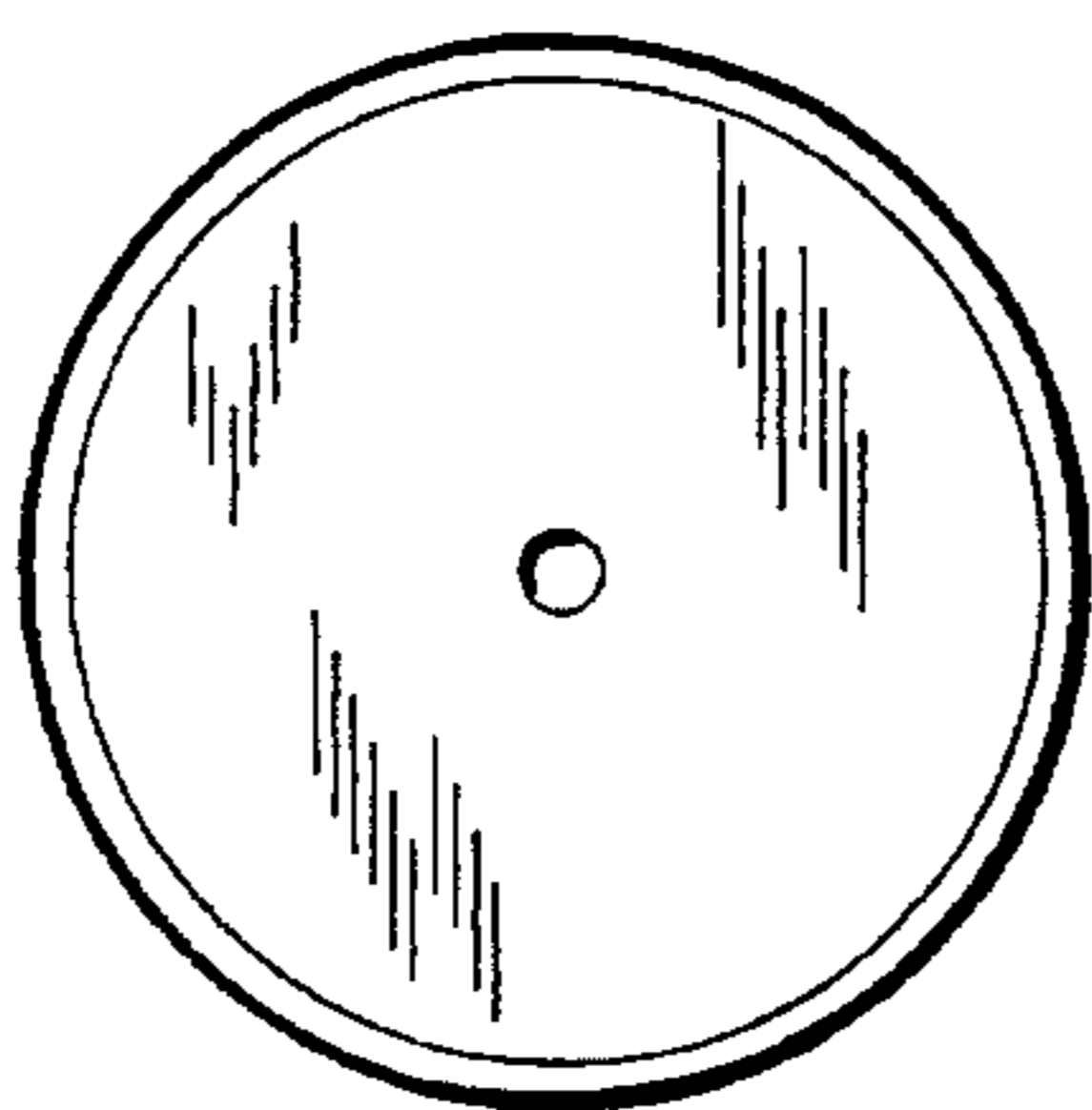


FIG. 5

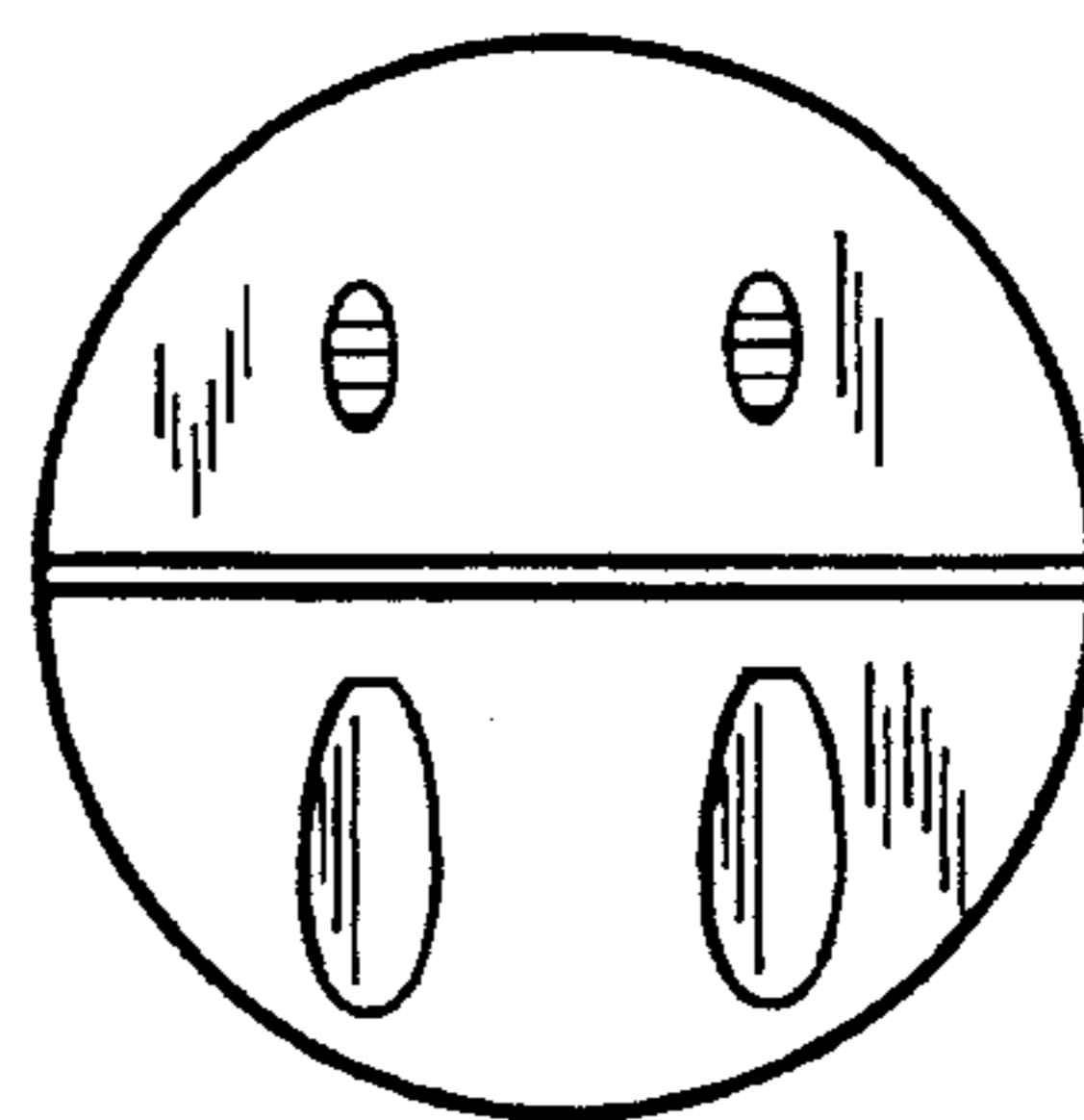


FIG. 6