



US00D376023S

United States Patent [19]

Yuen

[11] Patent Number: **Des. 376,023**

[45] Date of Patent: ****Nov. 26, 1996**

[54] **COMBINED MULTI-FUNCTIONAL LANTERN AND RADIO**

[75] Inventor: **Se K. Yuen, Kowloon, Hong Kong**

[73] Assignee: **John Manufacturing Limited, Kowloon, Hong Kong**

[**] Term: **14 Years**

[21] Appl. No.: **49,278**

[22] Filed: **Jan. 22, 1996**

[30] Foreign Application Priority Data

Oct. 12, 1995 [GB] United Kingdom 2051128
 [52] U.S. Cl. **D26/38**
 [58] Field of Search D26/37-50; 362/157,
 362/158, 183-202; D14/168, 144

[56] References Cited

U.S. PATENT DOCUMENTS

D. 296,243 6/1988 Ohashi D26/38

D. 303,294 9/1989 Yurkovic D26/38
 D. 325,787 4/1992 Wan D26/38
 D. 341,900 11/1993 Yuen D26/38
 D. 344,152 2/1994 Yuen D26/38
 D. 368,970 4/1996 Yuen D26/37

Primary Examiner—Marcus A. Jackson
Attorney, Agent, or Firm—Sughrue, Mion, Zinn, Macpeak & Seas

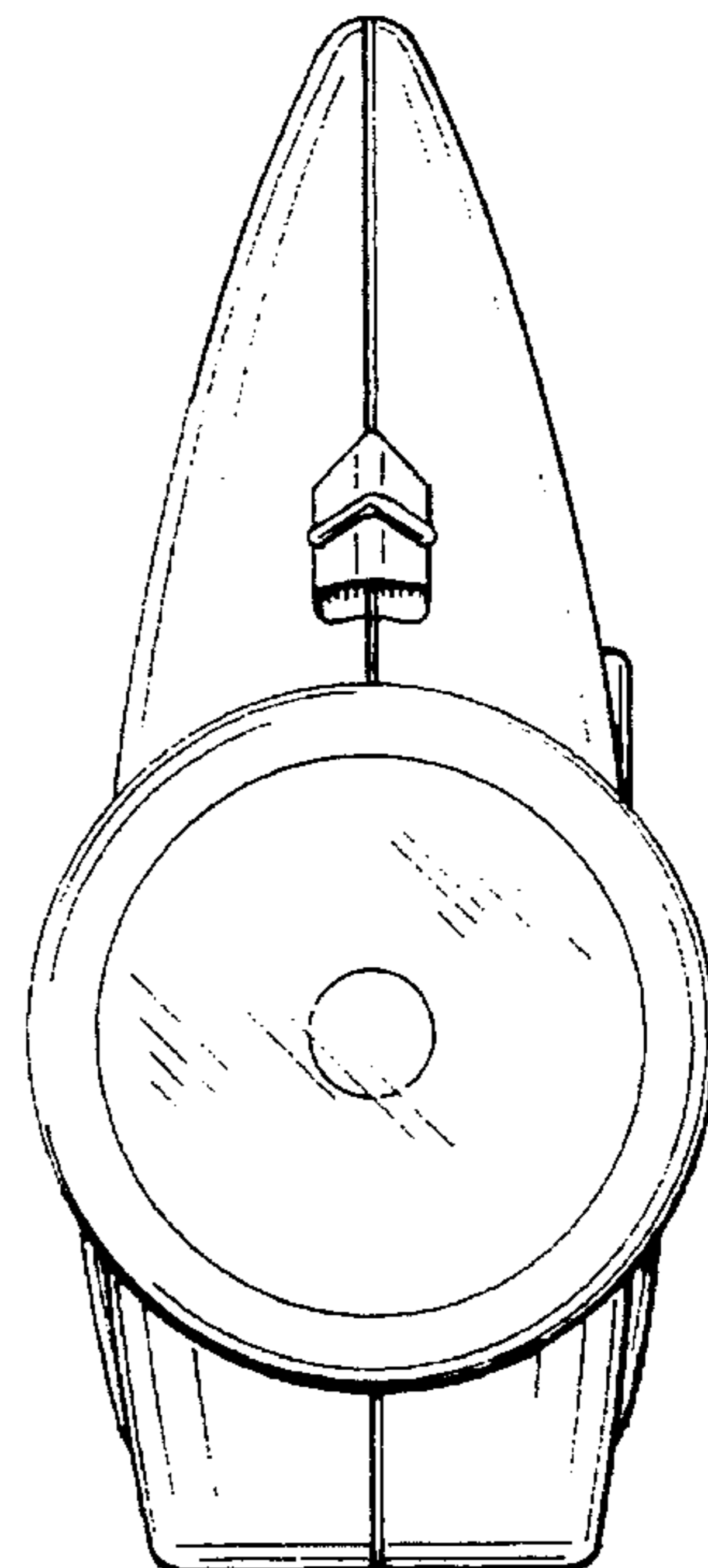
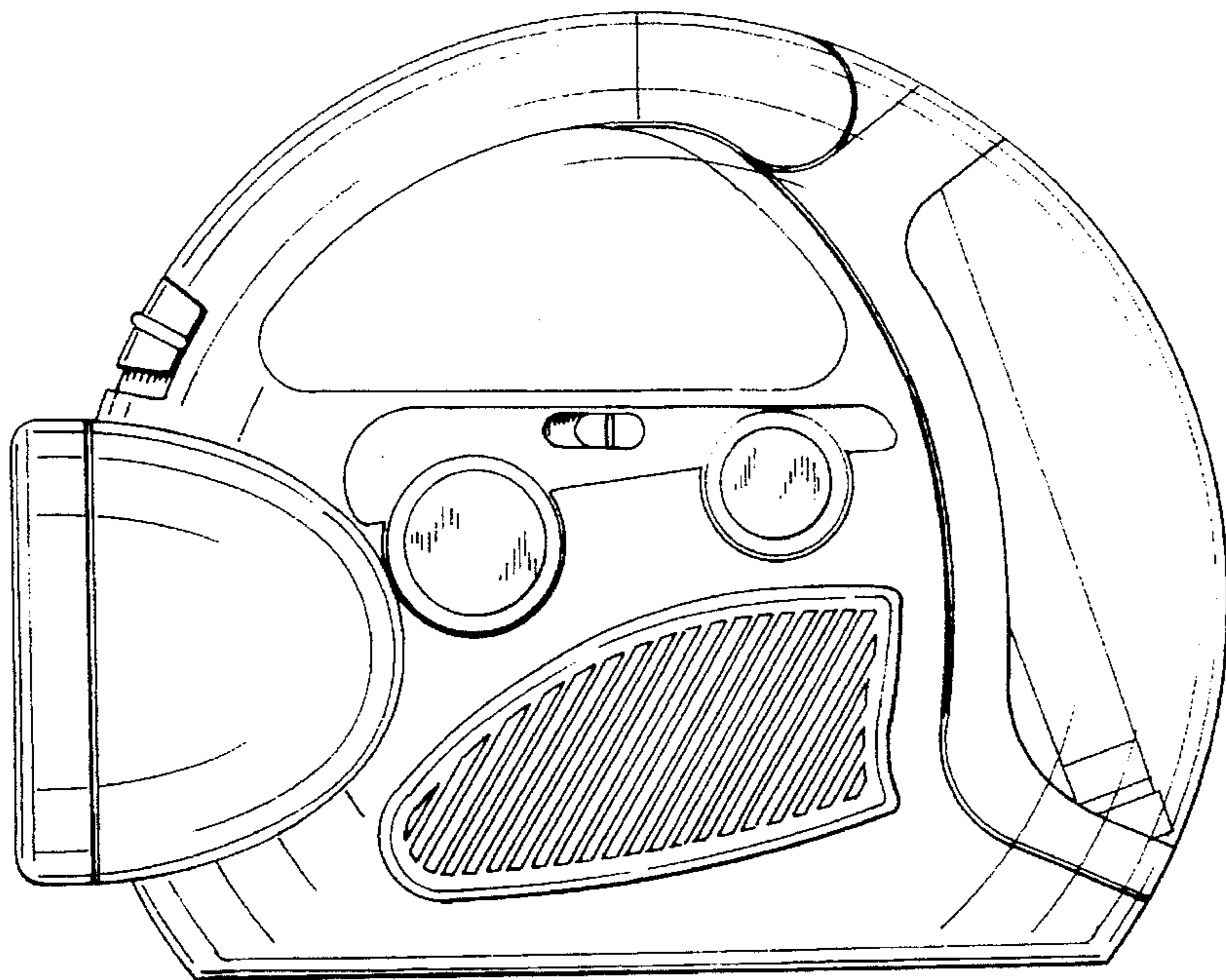
[57] CLAIM

The ornamental design for a combined multi-functional lantern and radio, as shown.

DESCRIPTION

FIG. 1 is a right side elevational view of a combined multi-functional lantern and radio showing my new design; FIG. 2 is a left side elevational view thereof; FIG. 3 is a front elevational view thereof; FIG. 4 is a rear elevational view thereof; FIG. 5 is a top plan view thereof; and, FIG. 6 is a bottom plan view thereof.

1 Claim, 2 Drawing Sheets



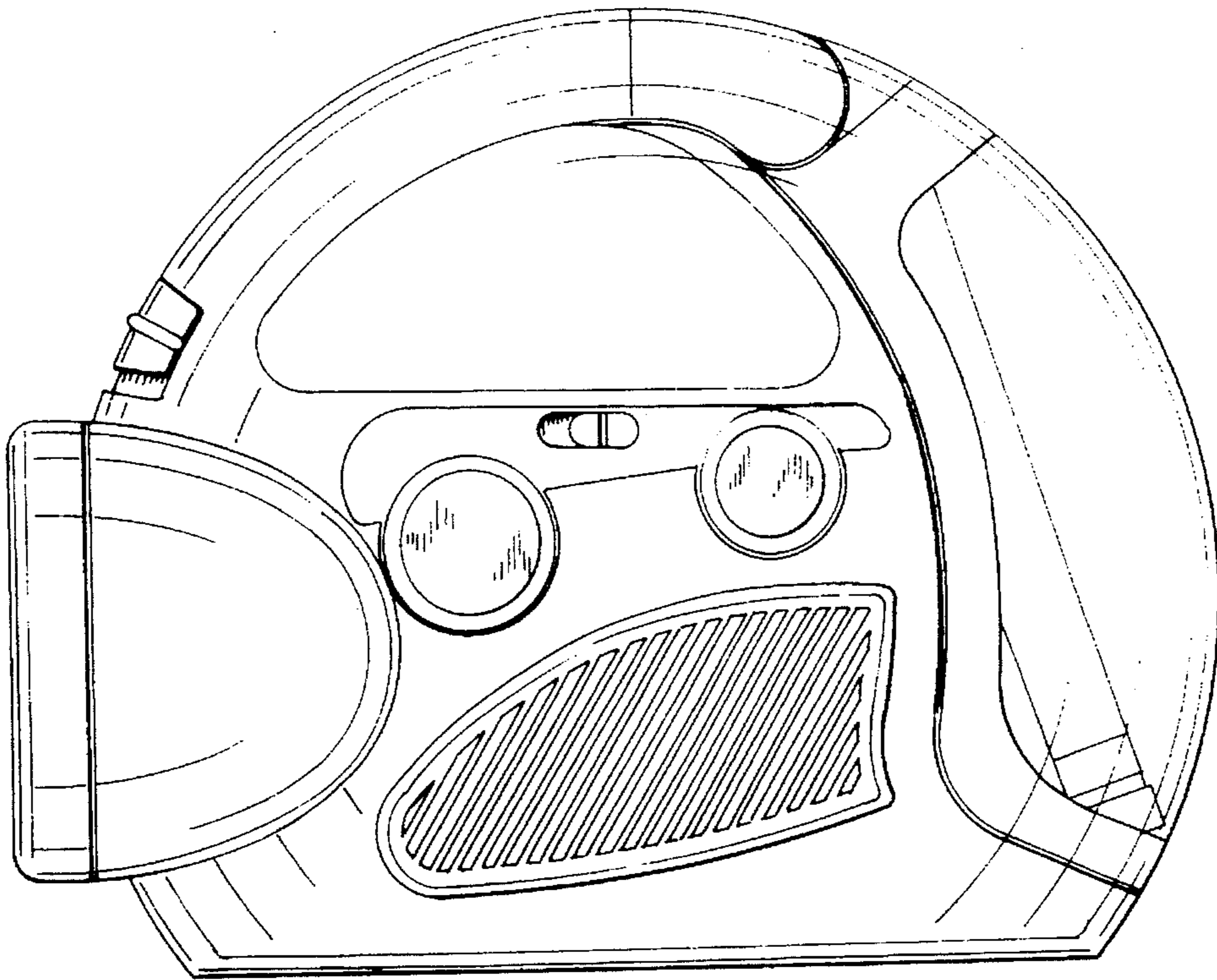


FIG 1

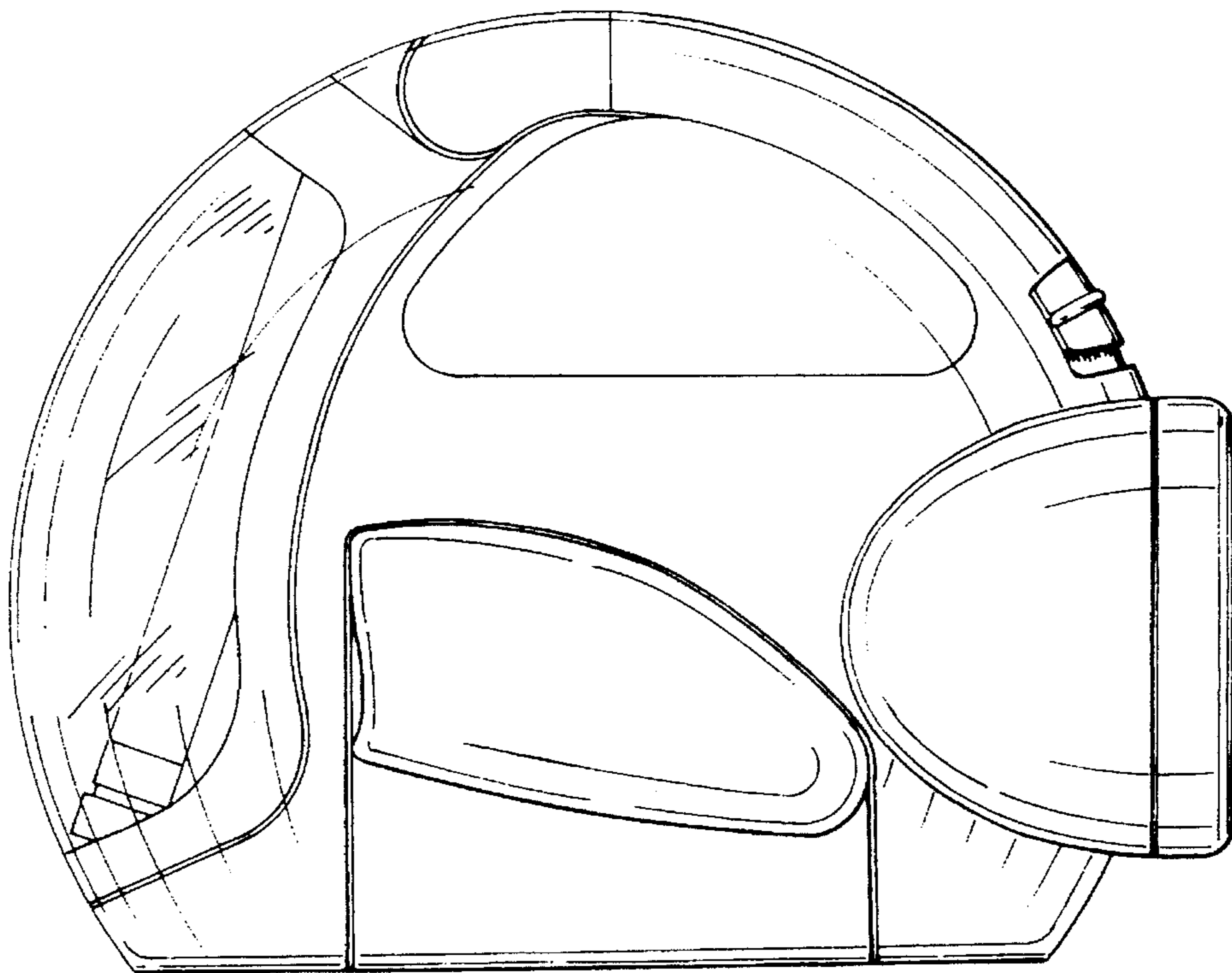


FIG 2

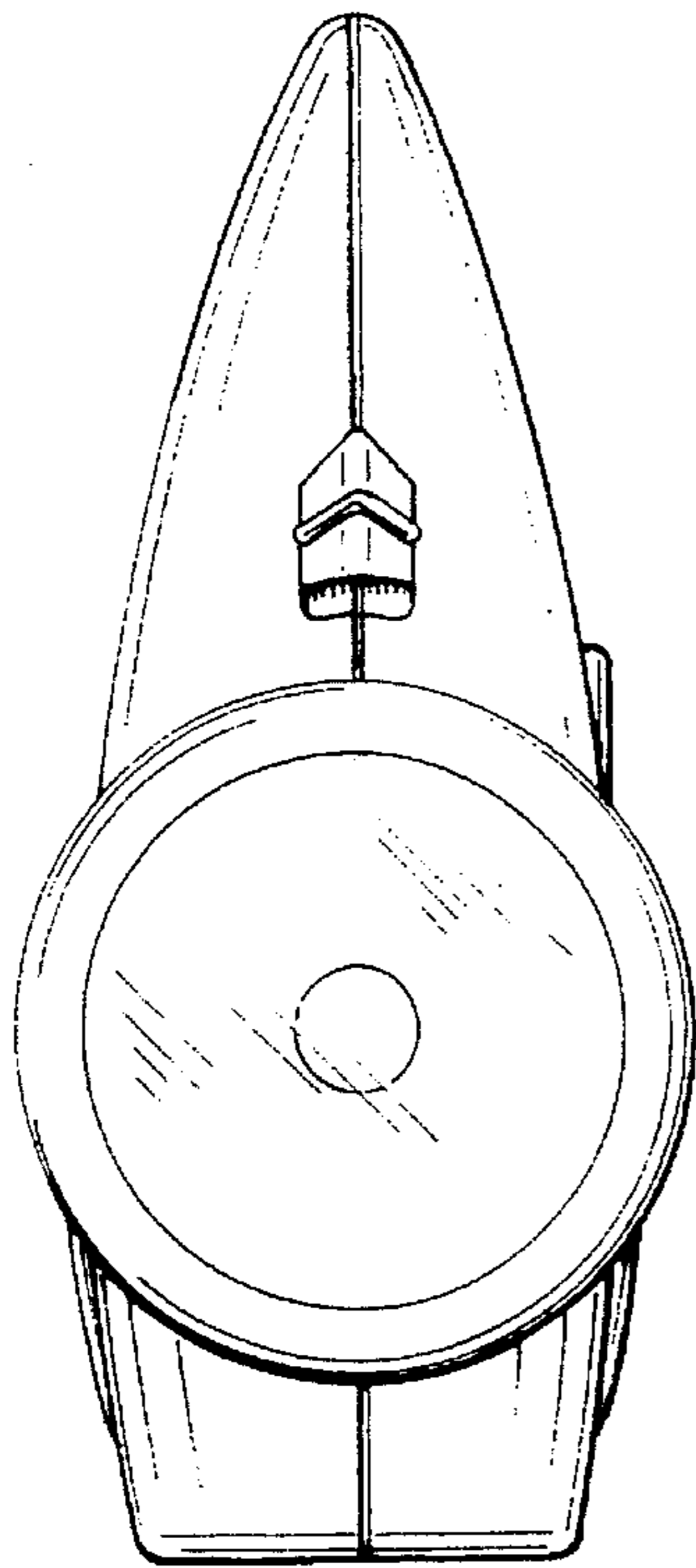


FIG 3

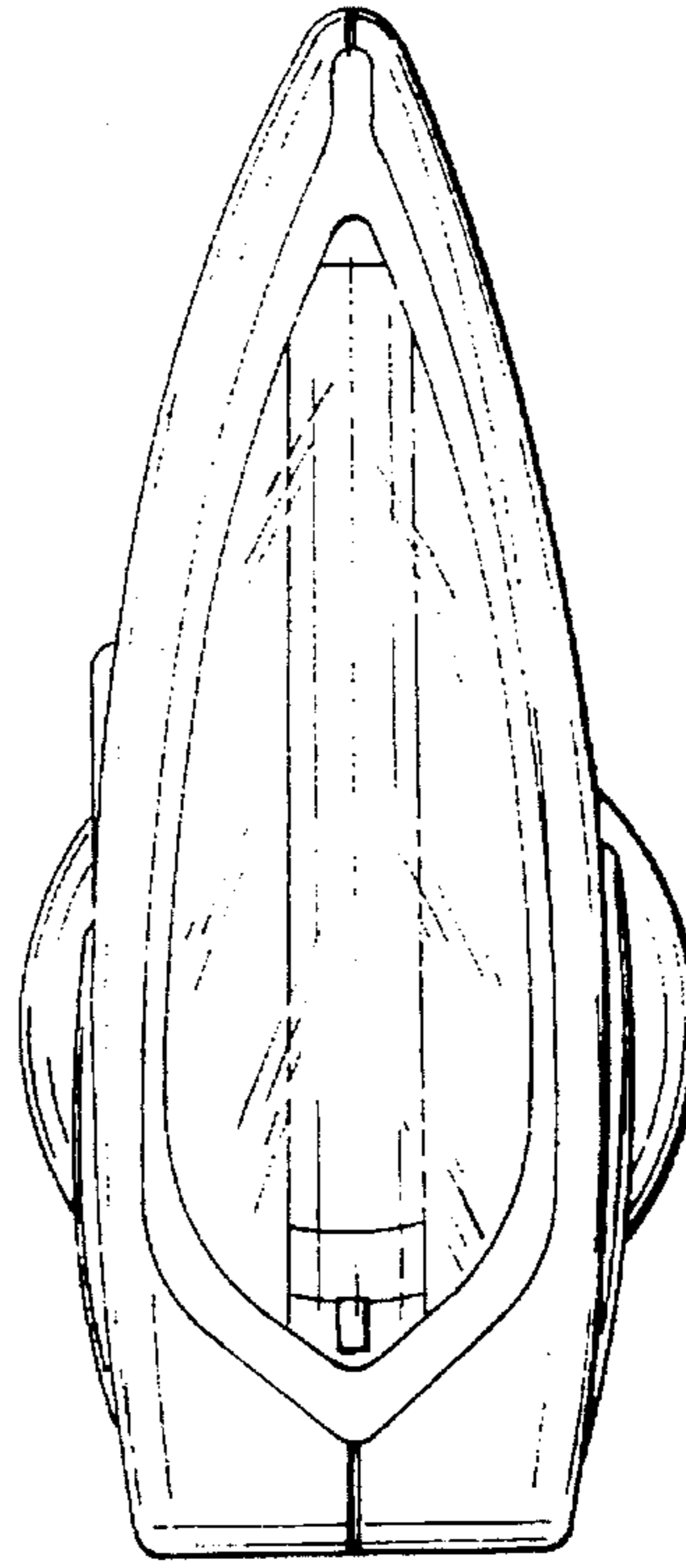


FIG 4

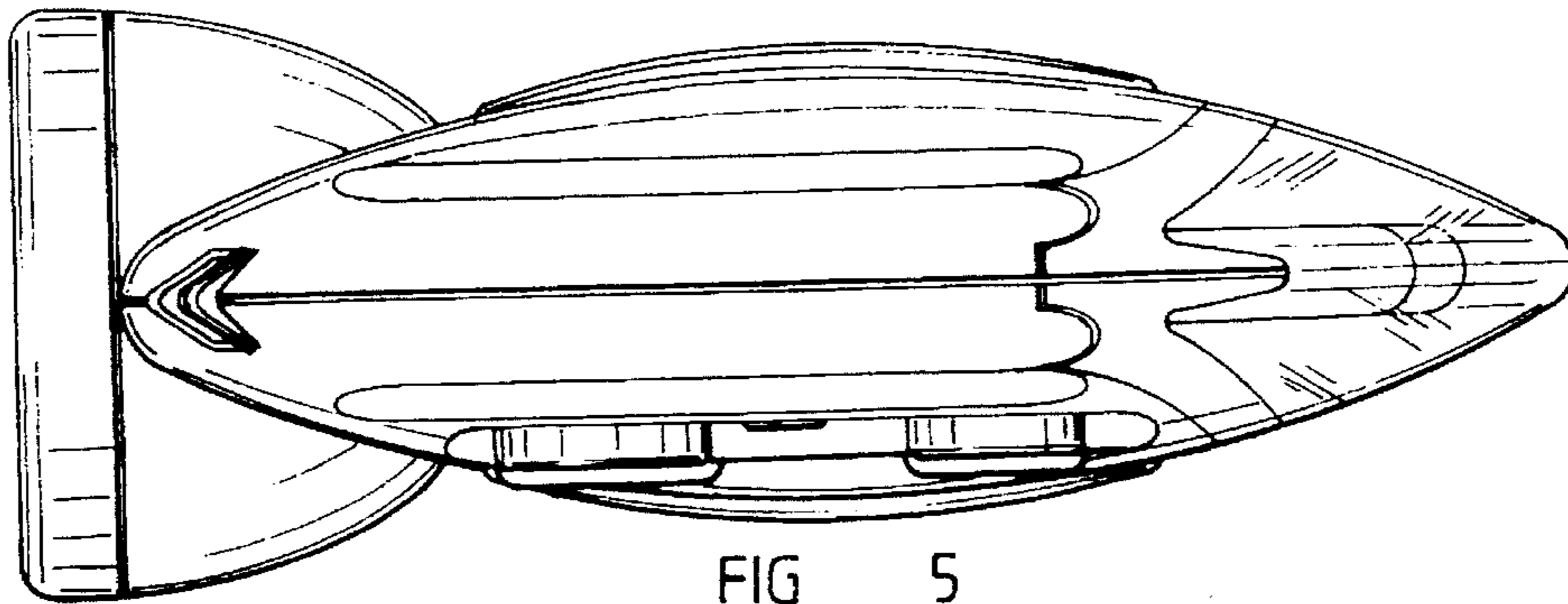


FIG 5

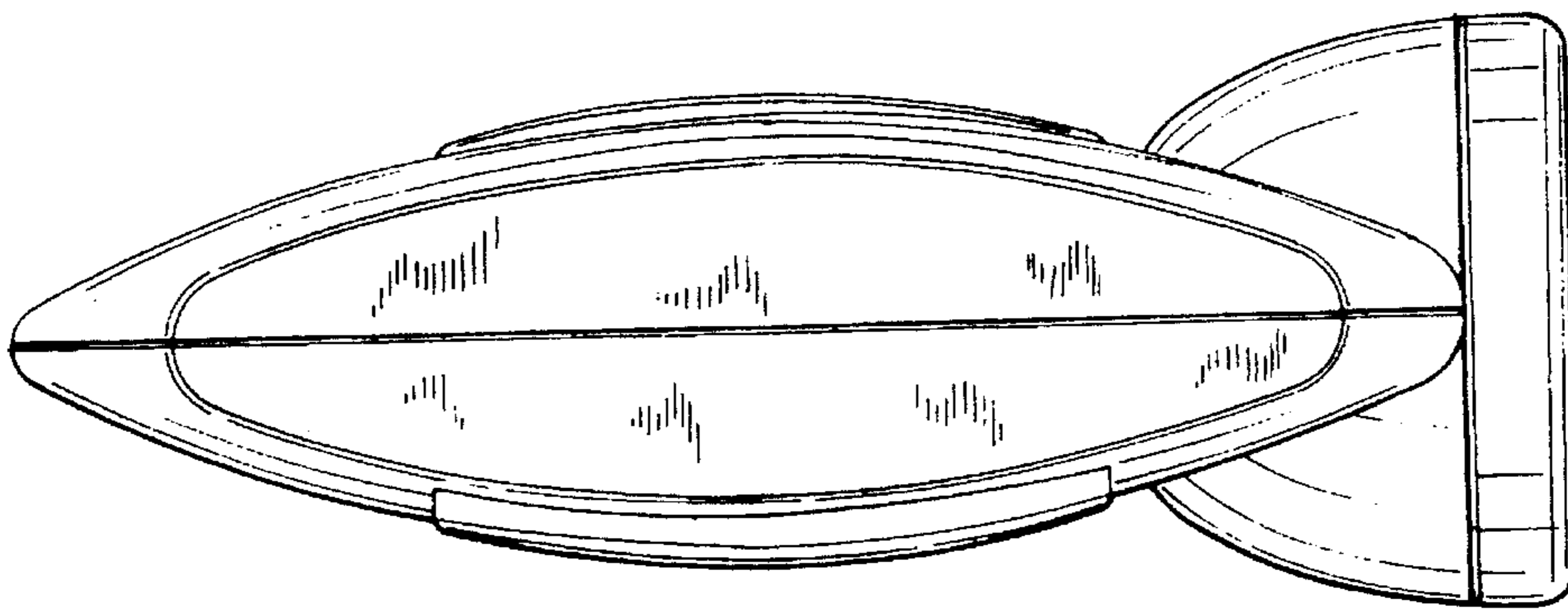


FIG 6