



US00D376022S

# United States Patent [19]

Yuen

[11] Patent Number: **Des. 376,022**

[45] Date of Patent: **\*\*Nov. 26, 1996**

[54] **FLUORESCENT LANTERN WITH TWIN SPOTLIGHT**

[75] Inventor: **John S. Yuen**, Kowloon, Hong Kong

[73] Assignee: **John Manufacturing Ltd.**, Kowloon, Hong Kong

[\*\*] Term: **14 Years**

[21] Appl. No.: **46,472**

[22] Filed: **Nov. 15, 1995**

[30] **Foreign Application Priority Data**

May 23, 1995 [GB] United Kingdom ..... 2047695  
 [52] **U.S. Cl.** ..... **D26/38; D26/42**  
 [58] **Field of Search** ..... D26/37, 38, 42,  
 D26/44, 48-50; 362/157, 158, 167-169,  
 184, 190, 191, 196, 200-205, 207, 208

[56] **References Cited**

**U.S. PATENT DOCUMENTS**

D. 311,777 10/1990 Stearns ..... D26/42  
 D. 348,941 7/1994 Yuen ..... D26/42  
 1,698,912 1/1929 Hicks ..... 362/191

**OTHER PUBLICATIONS**

B. A. Pargh Company, Inc.; Spring/Summer 1985 Sanyo Twin Bulb Pocket Light, Item No. NL5100BP; p. 497.

*Primary Examiner*—A. Hugo Word  
*Assistant Examiner*—Lavone D. Tabor  
*Attorney, Agent, or Firm*—Fay, Sharpe, Beall, Fagan, Minnich & McKee

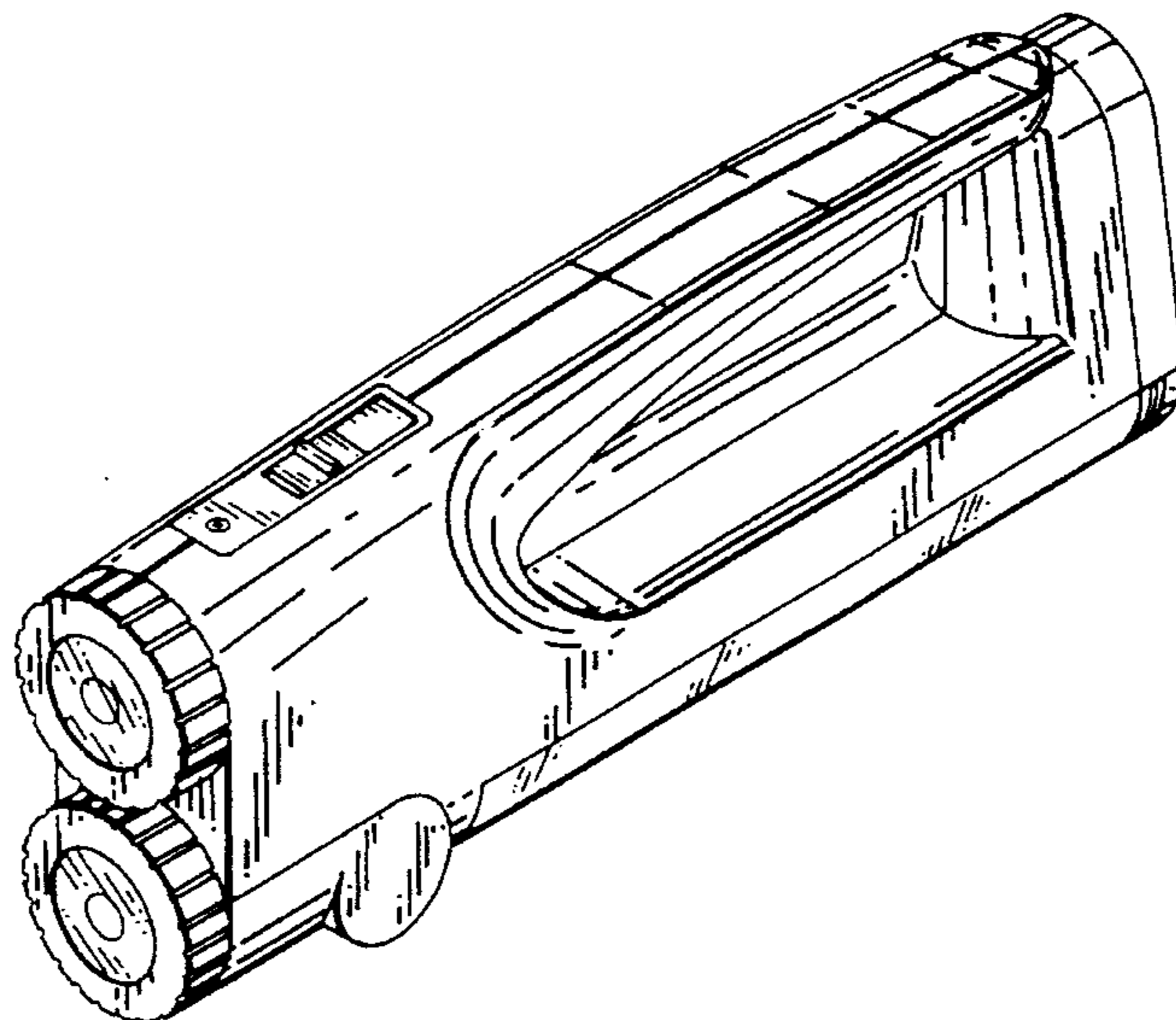
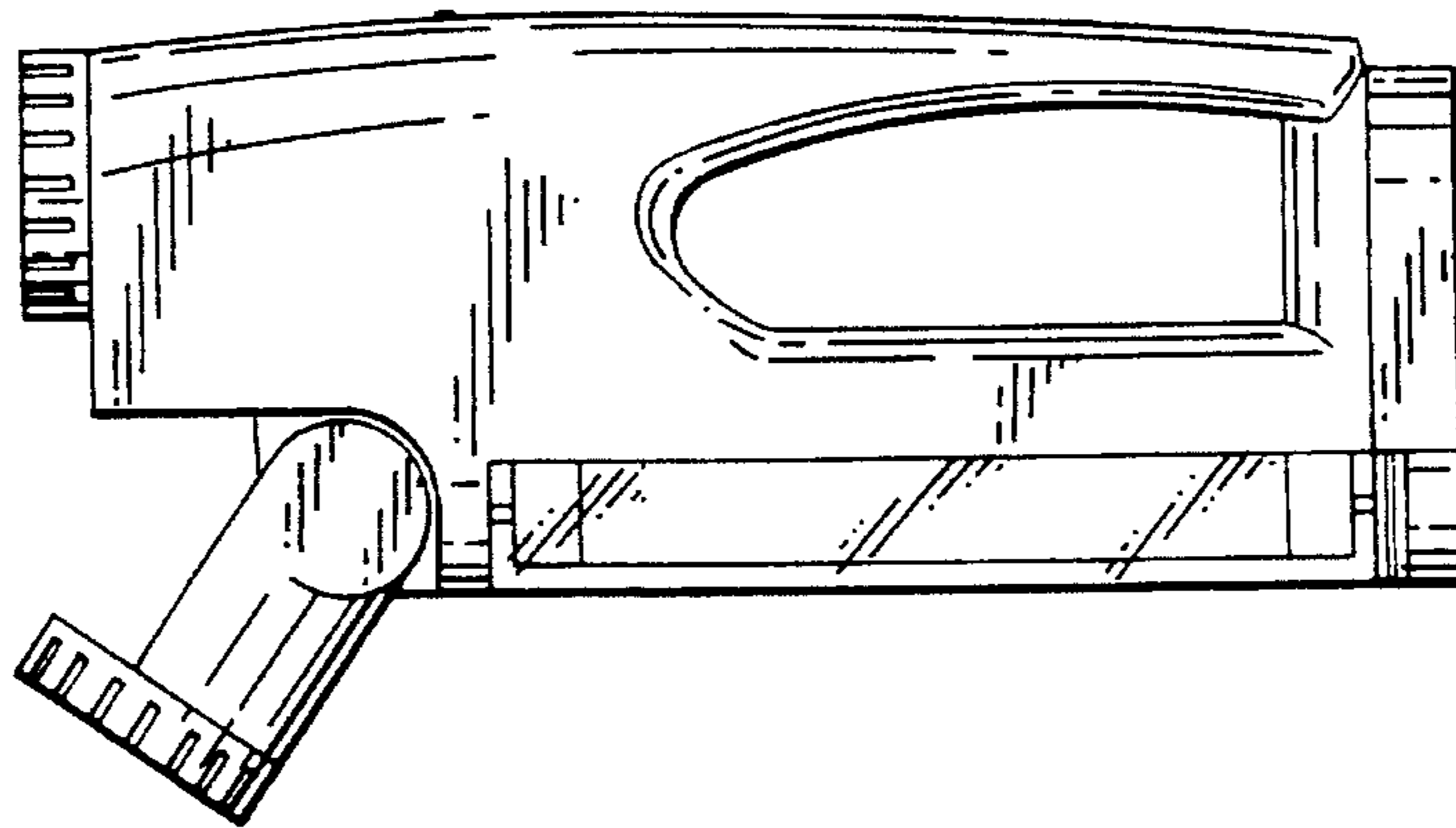
[57] **CLAIM**

The ornamental design for a fluorescent lantern with twin spotlight, as shown and described.

**DESCRIPTION**

FIG. 1 is a top plan view of a fluorescent lantern with twin spotlight showing my new design;  
 FIG. 2 is a front elevational view thereof;  
 FIG. 3 is a bottom plan view thereof;  
 FIG. 4 is a rear elevational view thereof;  
 FIG. 5 is a left side view thereof;  
 FIG. 6 is a right side view thereof;  
 FIG. 7 is a front elevational view showing a part in an alternative position thereof; and,  
 FIG. 8 is a perspective view from front.

**1 Claim, 2 Drawing Sheets**



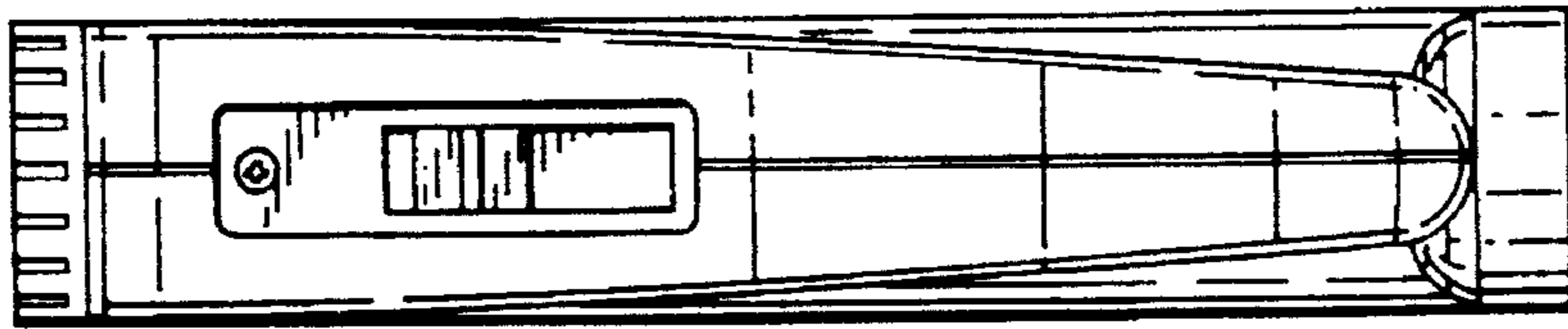


FIG. 1

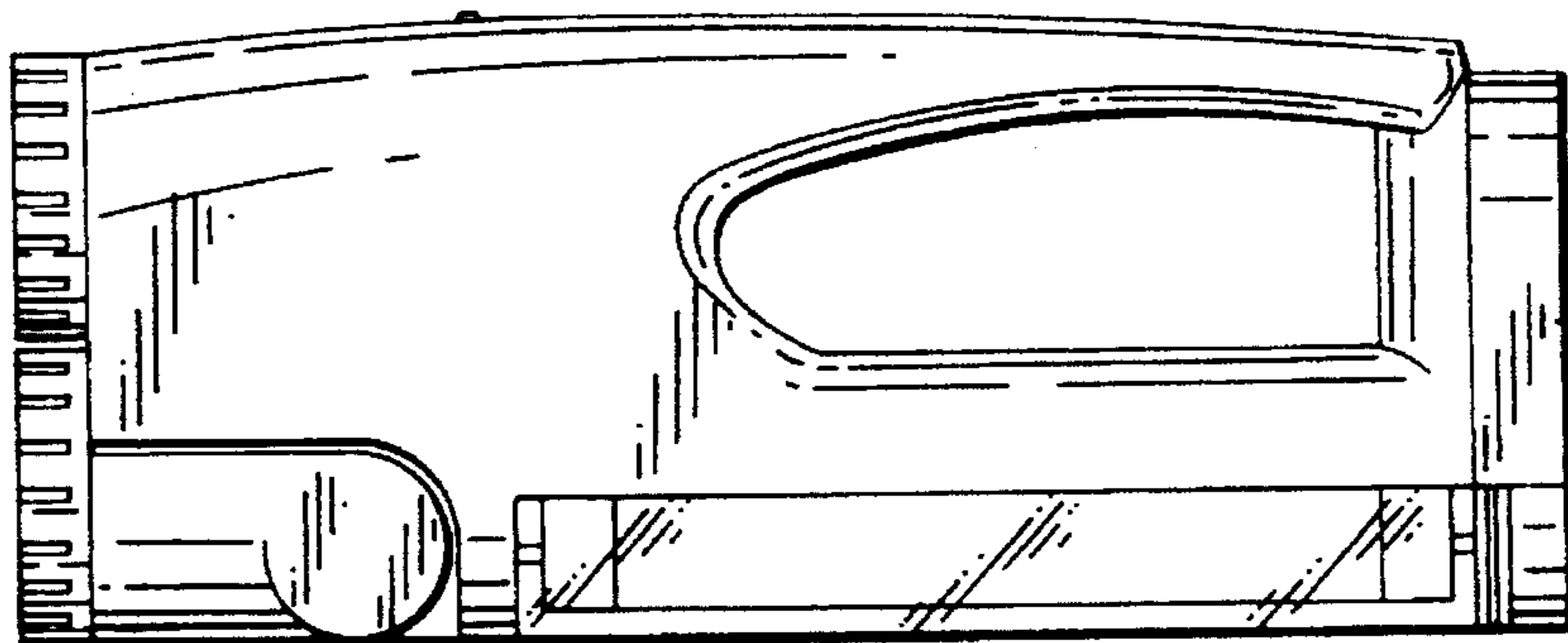


FIG. 2

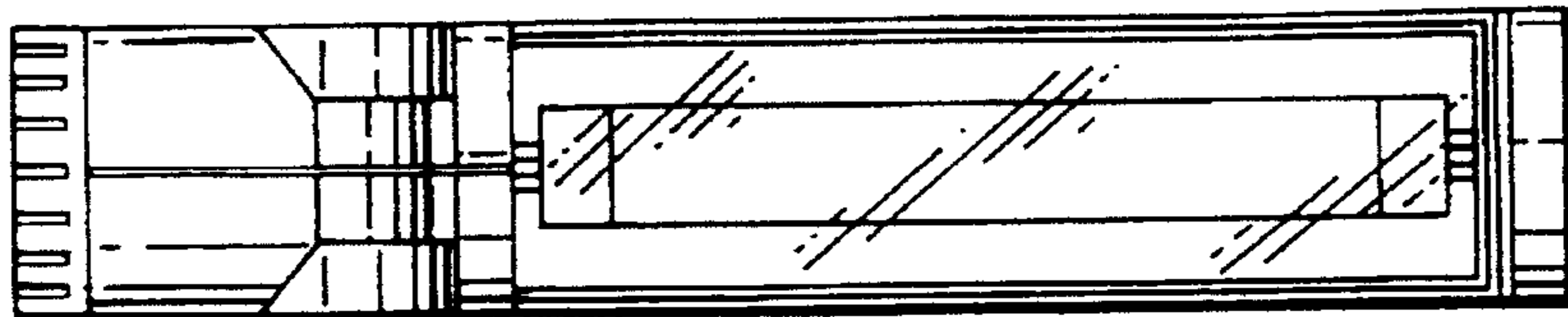


FIG. 3

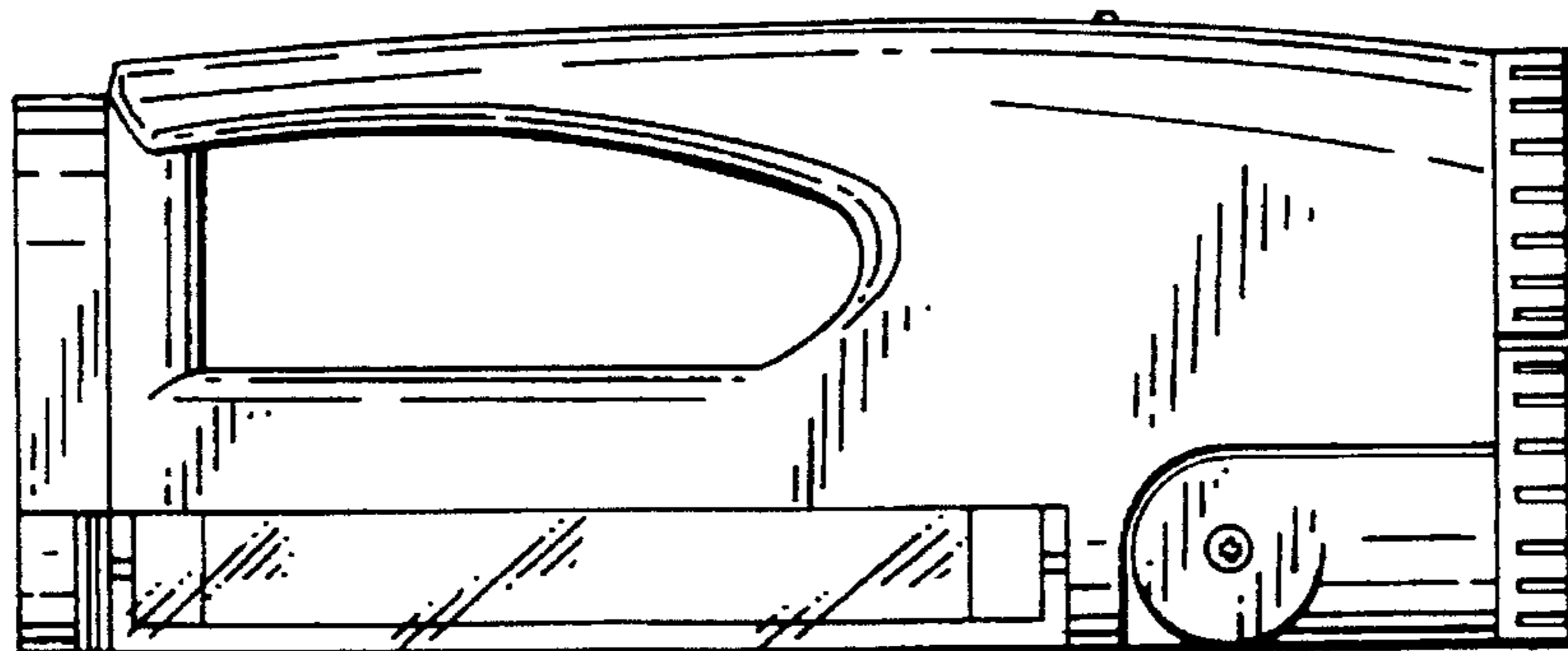


FIG. 4

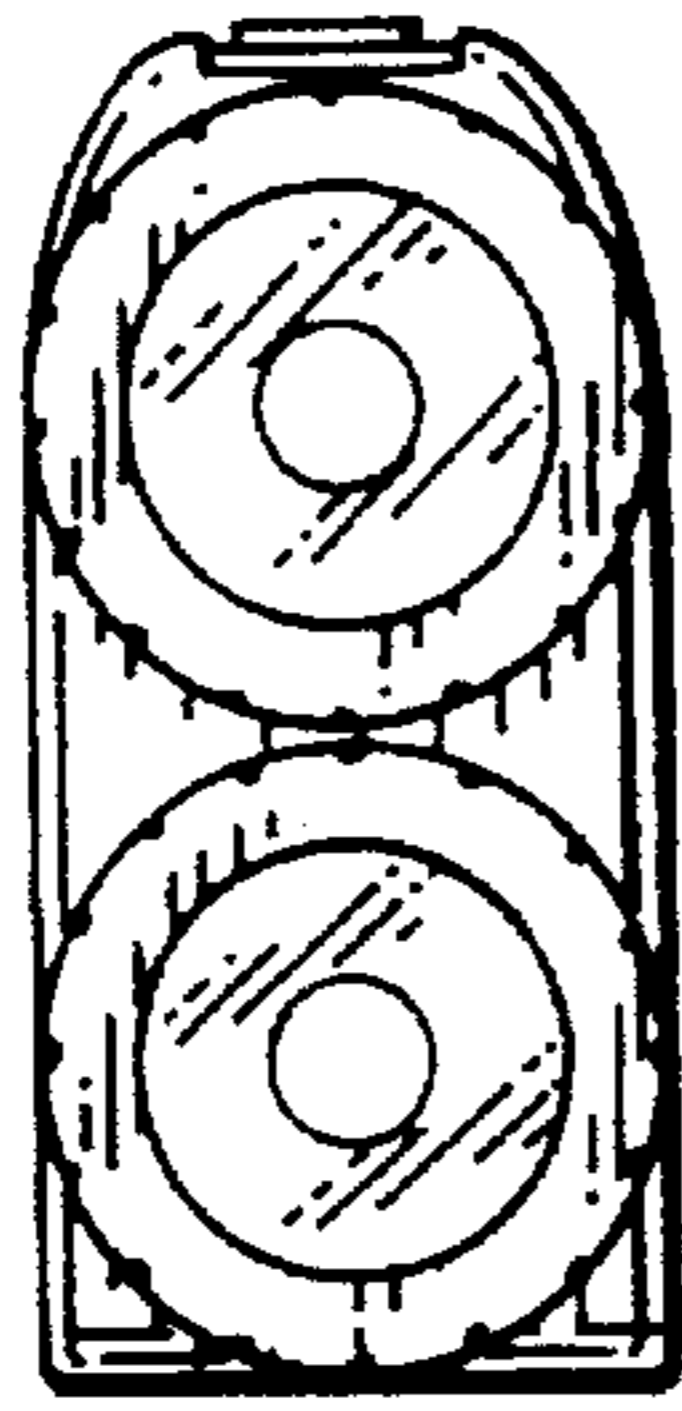


FIG. 5

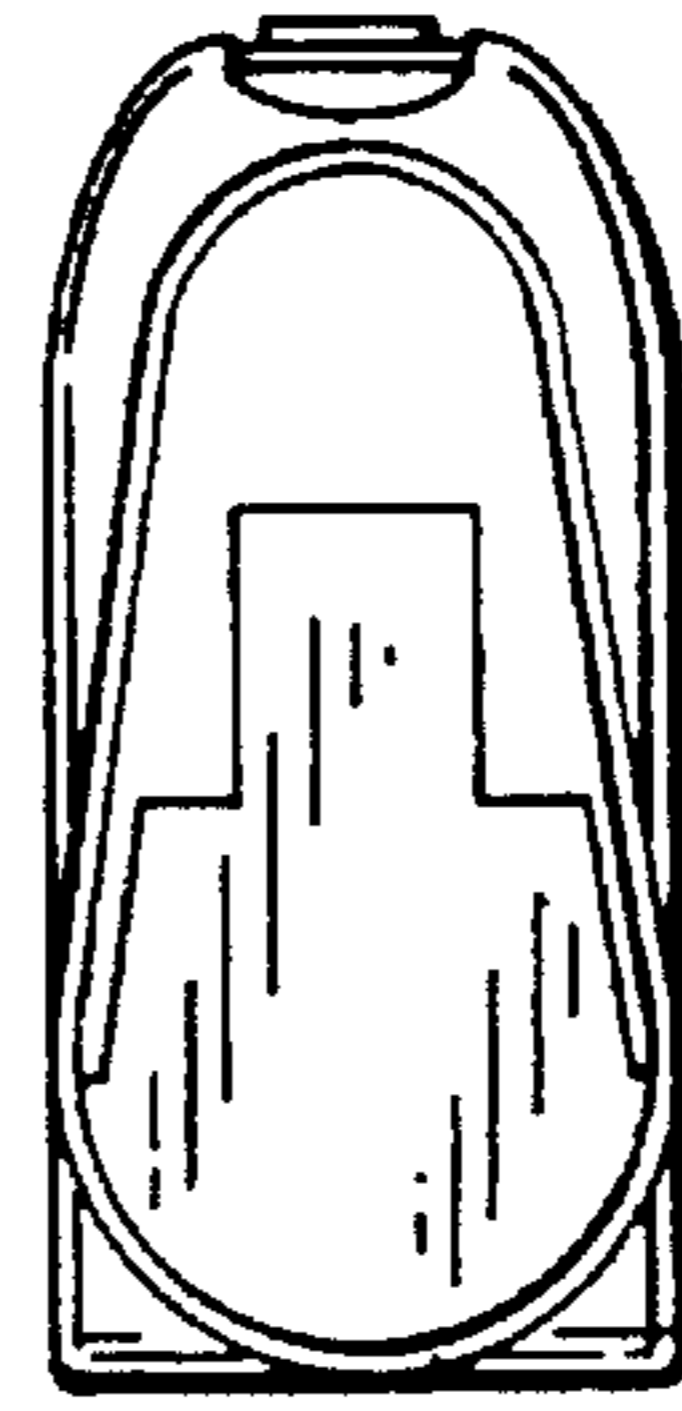


FIG. 6

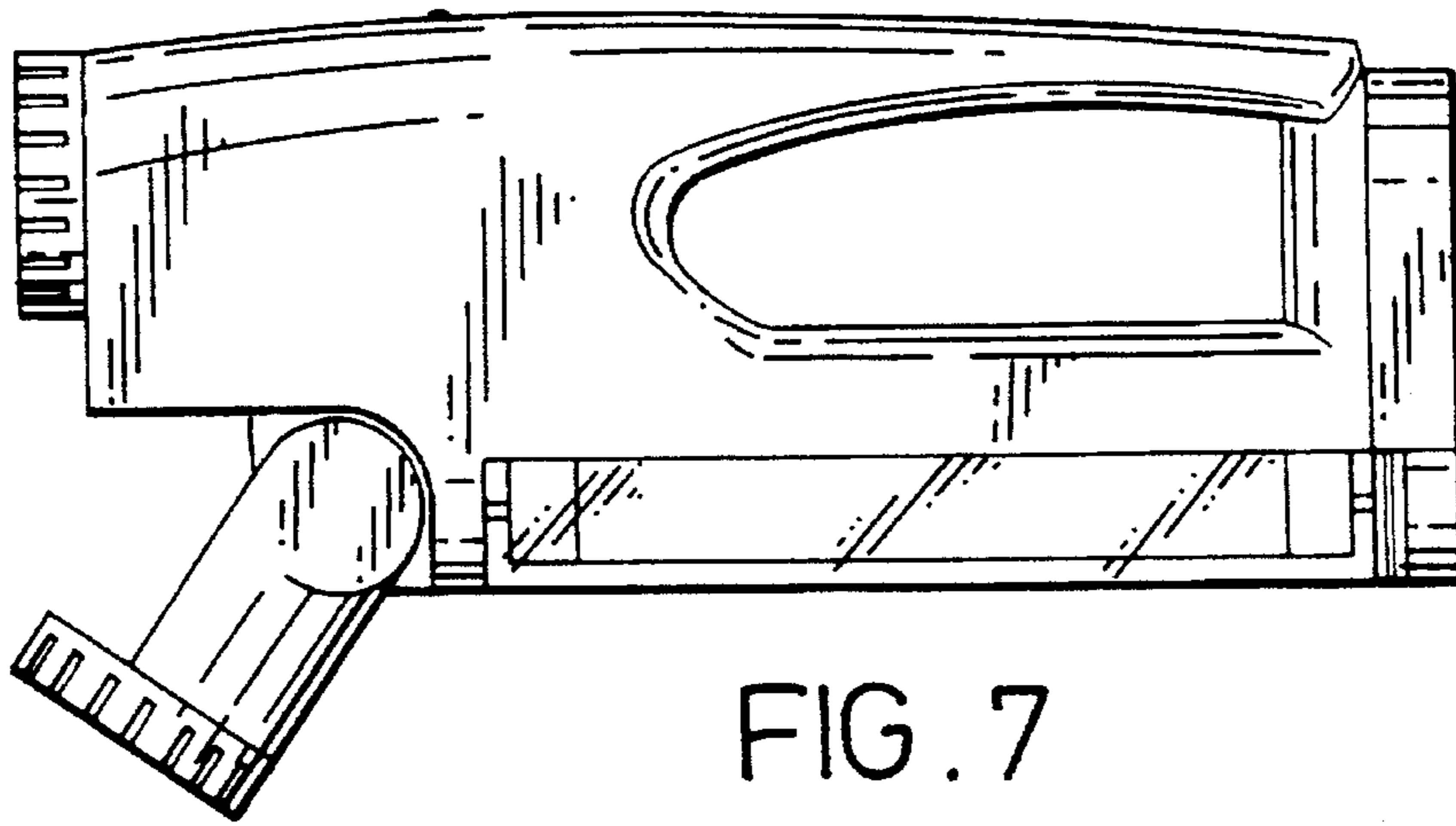


FIG. 7

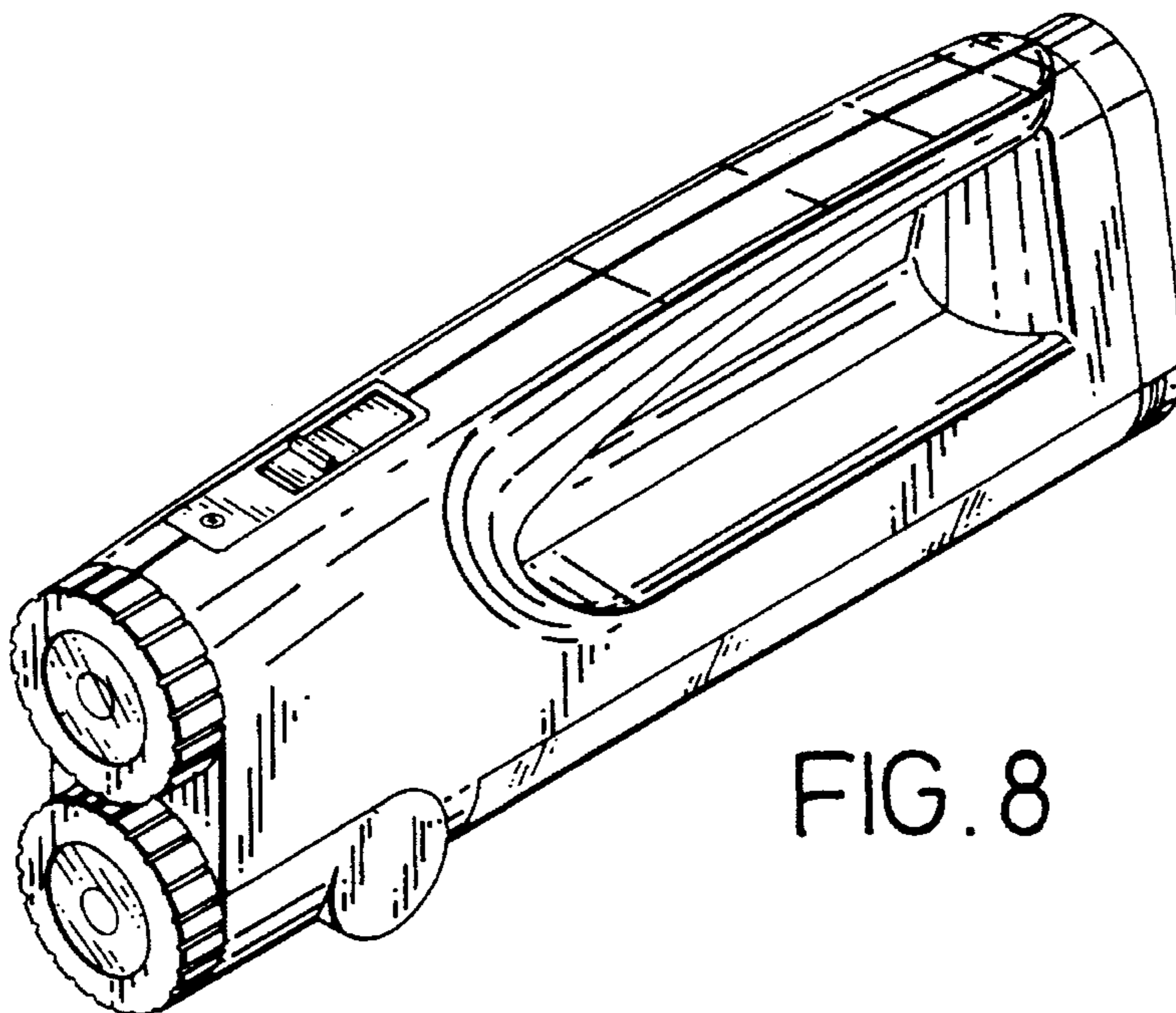


FIG. 8