



US00D376016S

United States Patent [19]
Chen

[11] **Patent Number: Des. 376,016**

[45] **Date of Patent: **Nov. 26, 1996**

[54] **MESSAGE ROD**

FOREIGN PATENT DOCUMENTS

[75] Inventor: **Liu-Kin Chen**, Taipei, Taiwan

2606633 5/1988 France 601/134

[73] Assignee: **IMEI Chemical Enterprise Ltd.**,
Taipei, Taiwan

Primary Examiner—Stella Reid
Attorney, Agent, or Firm—Bacon & Thomas

[**] Term: **14 Years**

[57] **CLAIM**

[21] Appl. No.: **38,398**

The ornamental design for a massage rod, as shown and described.

[22] Filed: **May 4, 1995**

DESCRIPTION

[52] **U.S. Cl.** **D24/214**

[58] **Field of Search** D24/214, 211,
D24/200; 601/134, 135, 136, 137, 84

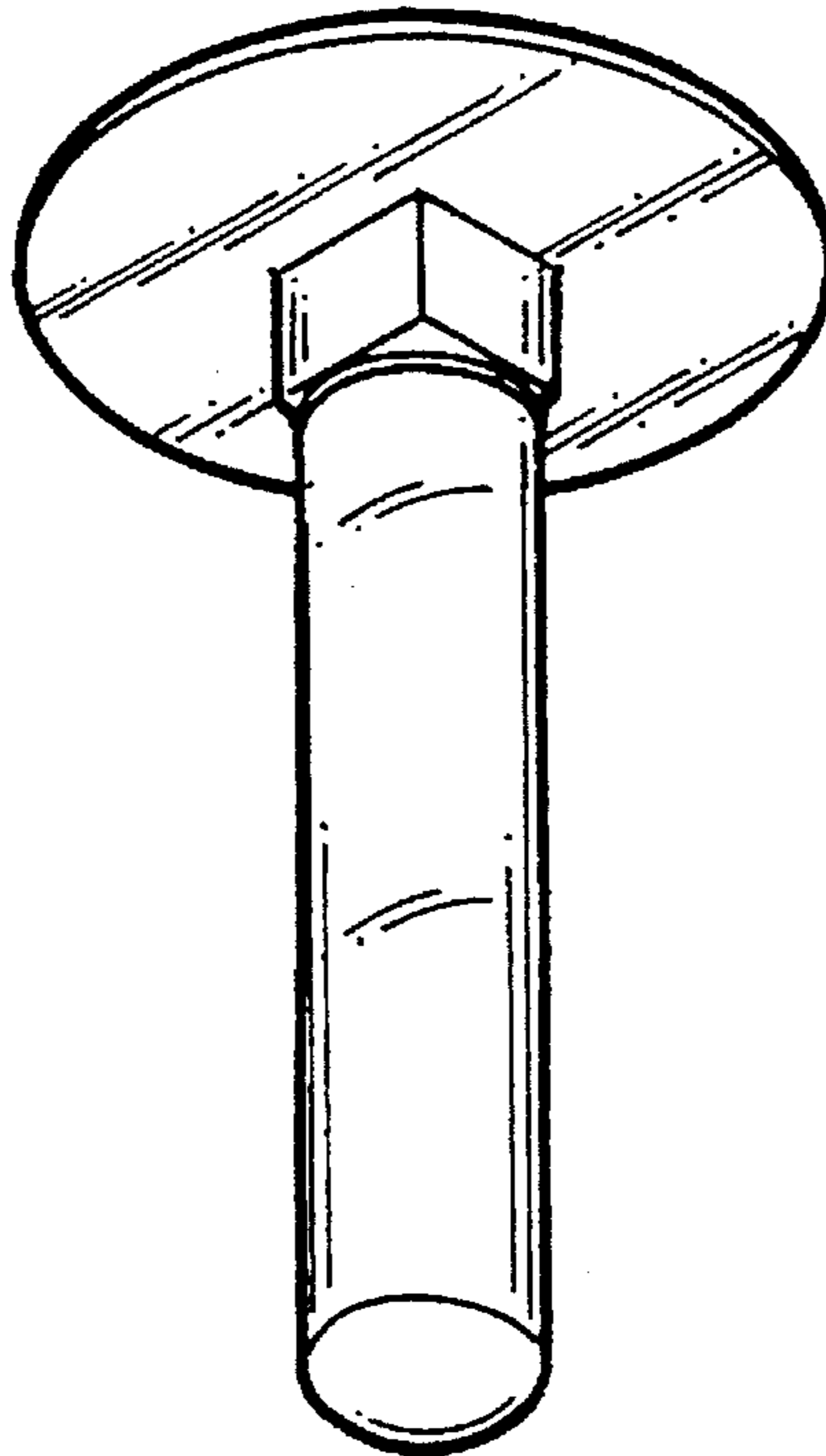
FIG. 1 is a perspective view of a massage rod showing my new design;
FIG. 2 is a front elevational view thereof;
FIG. 3 is a right side elevational view thereof;
FIG. 4 is a left side elevational view thereof;
FIG. 5 is a top plan view thereof;
FIG. 6 is a bottom plan view thereof; and,
FIG. 7 is a rear elevational view thereof.

[56] **References Cited**

U.S. PATENT DOCUMENTS

D. 211,549 6/1968 Christopher D24/211
2,450,935 10/1948 Carr 601/136
5,044,626 9/1991 Parker, Jr. 601/135

1 Claim, 2 Drawing Sheets



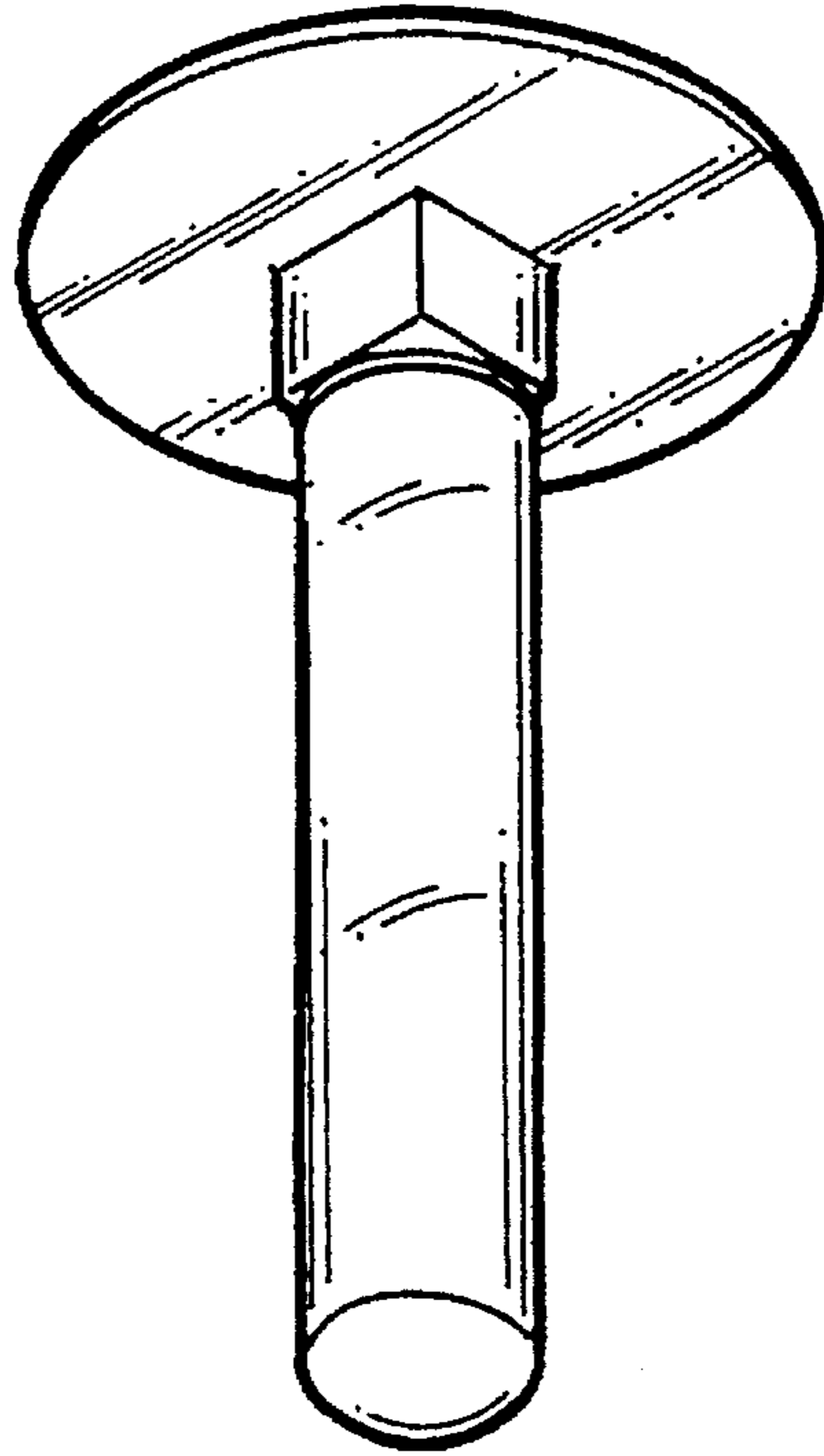


FIG 1

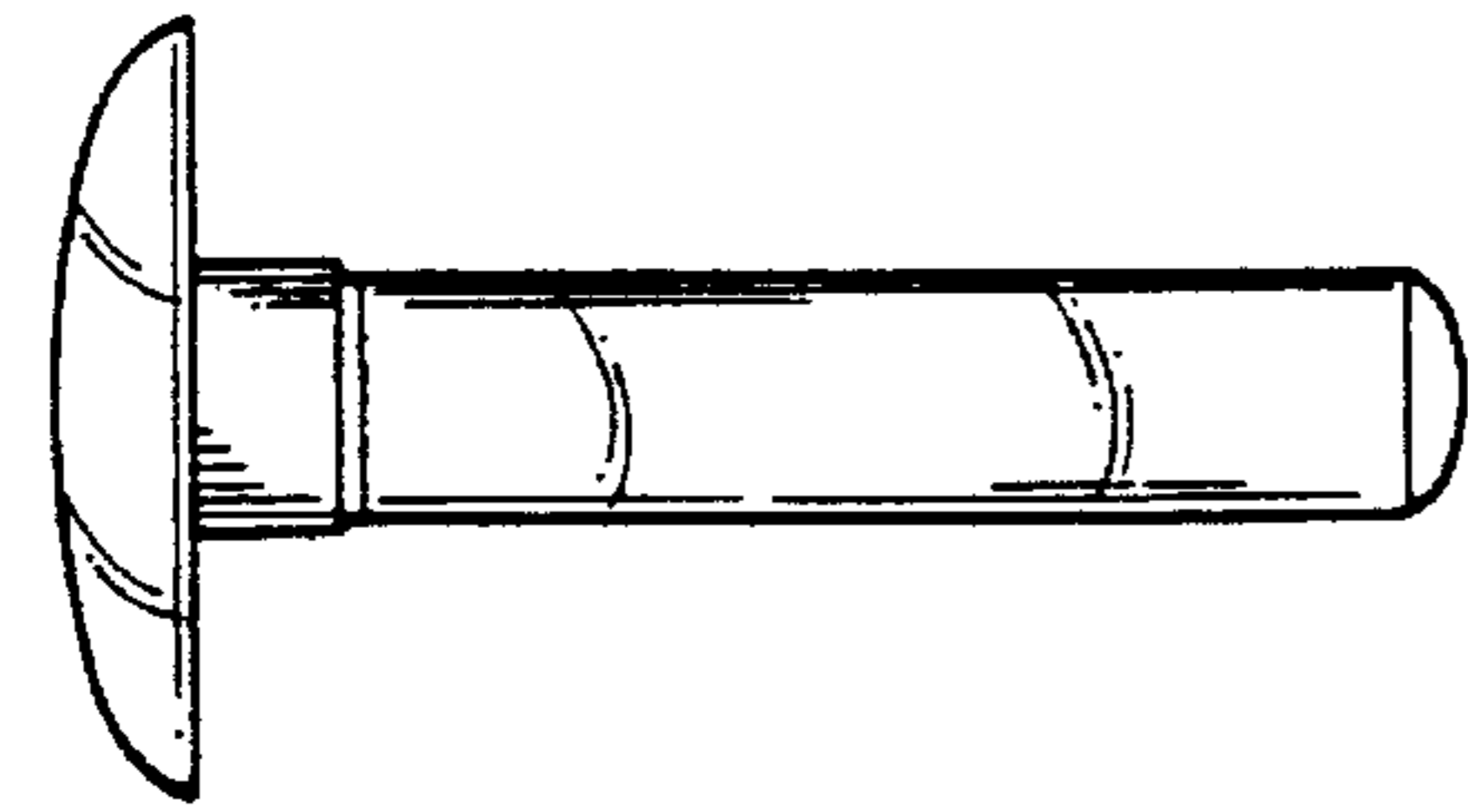


FIG 2

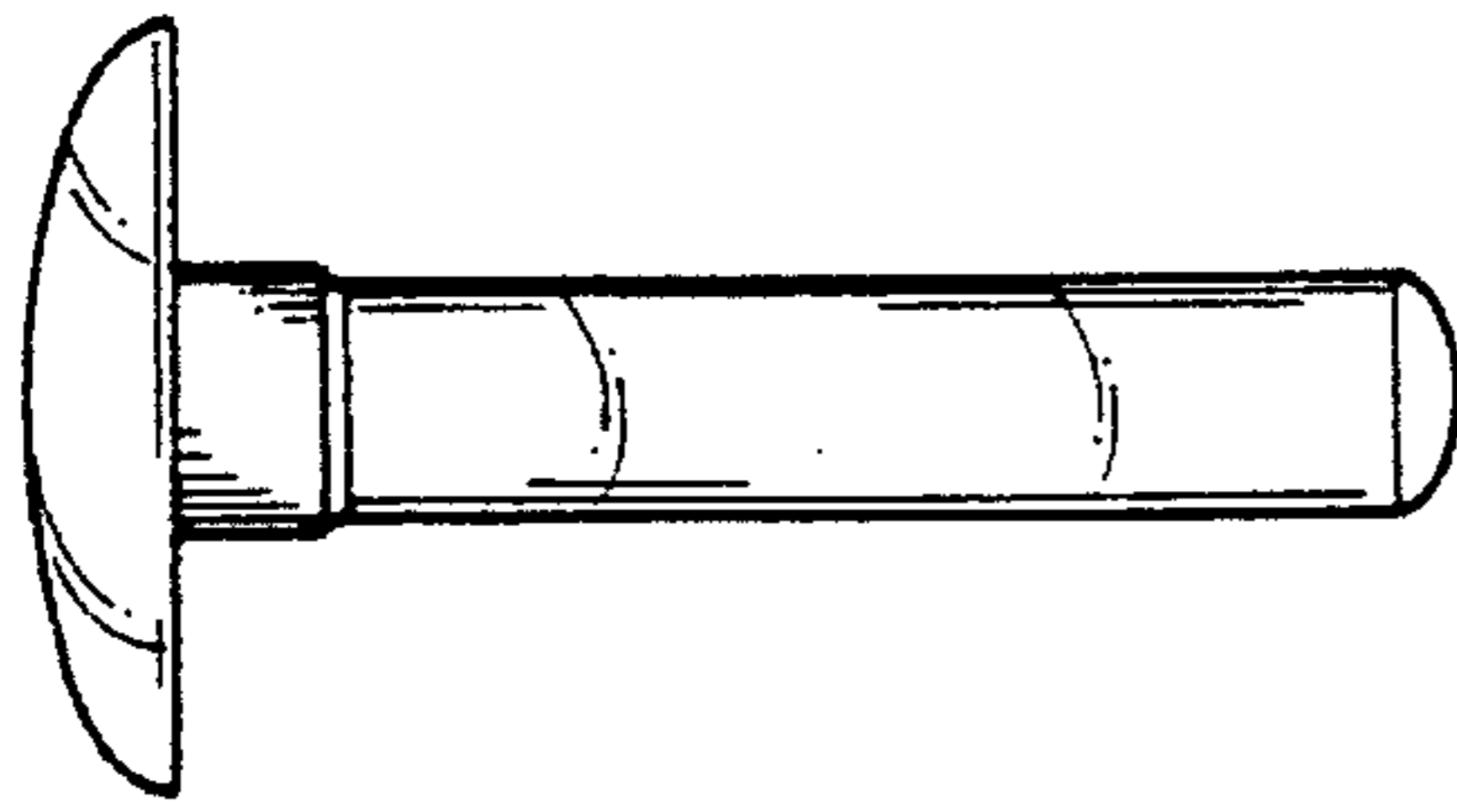


FIG 3

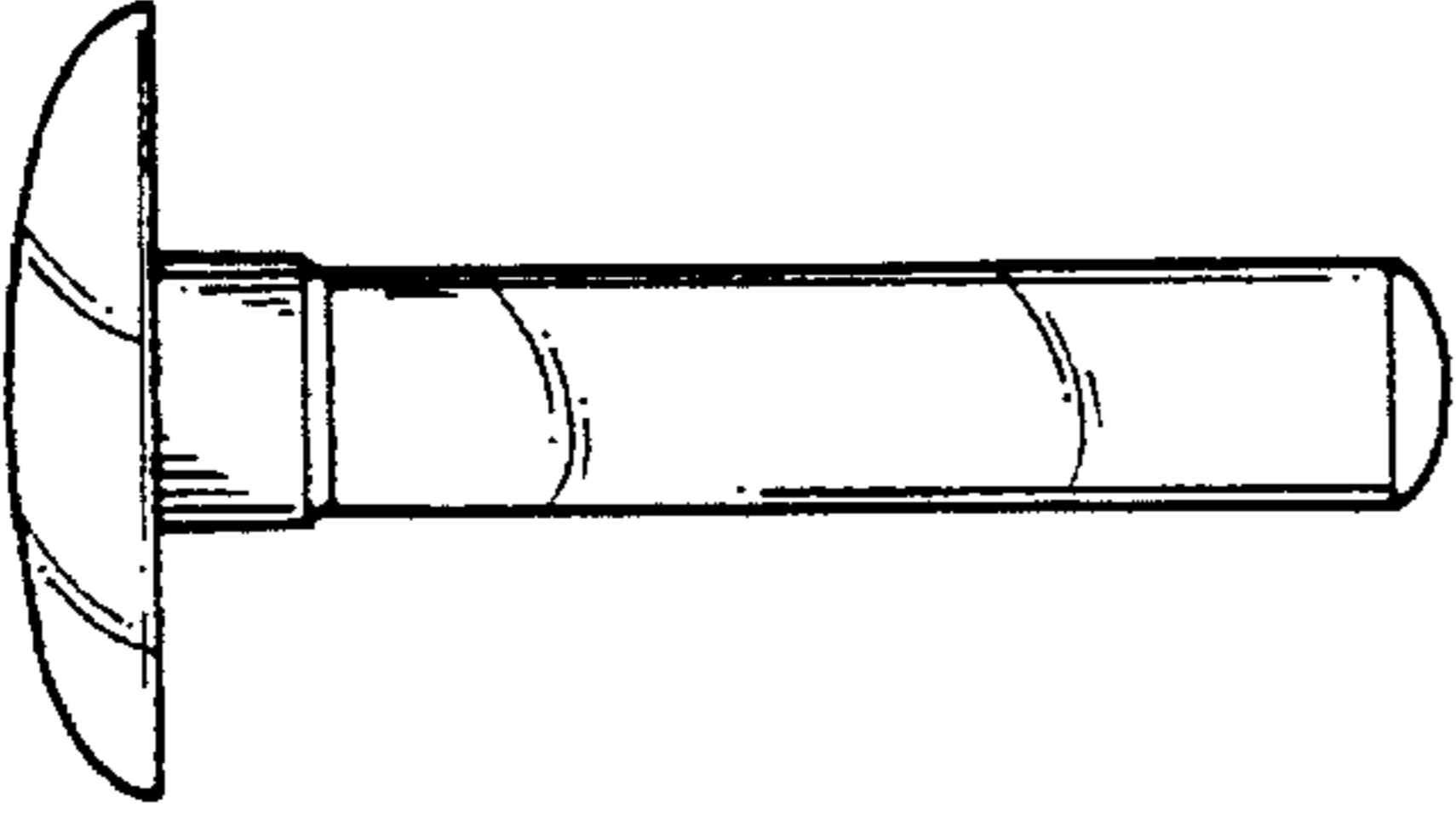


FIG 4

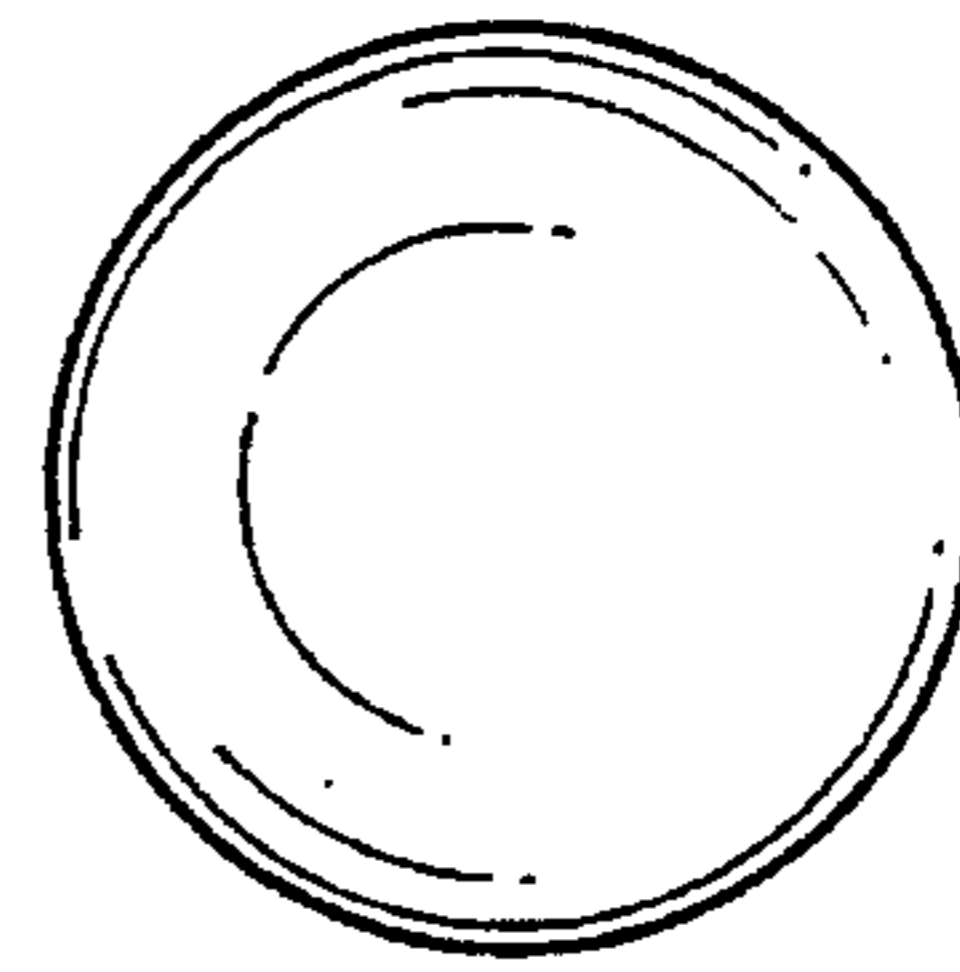


FIG 5

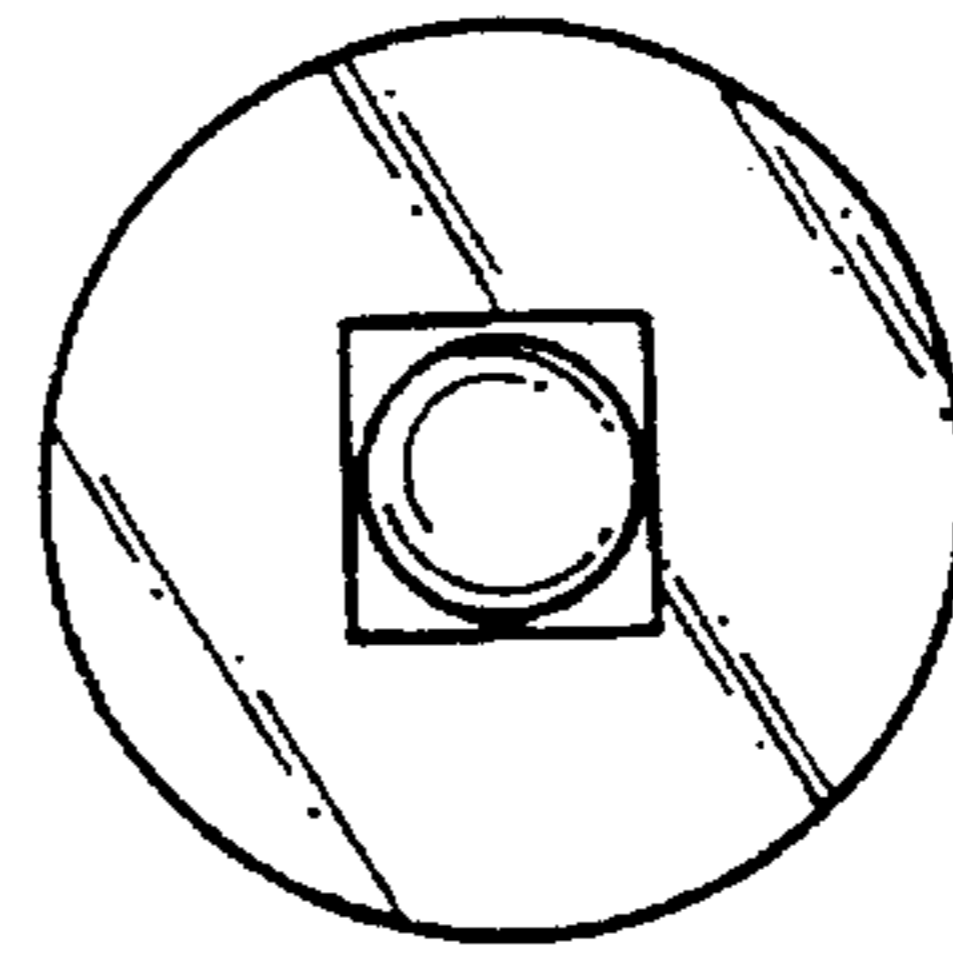


FIG 6

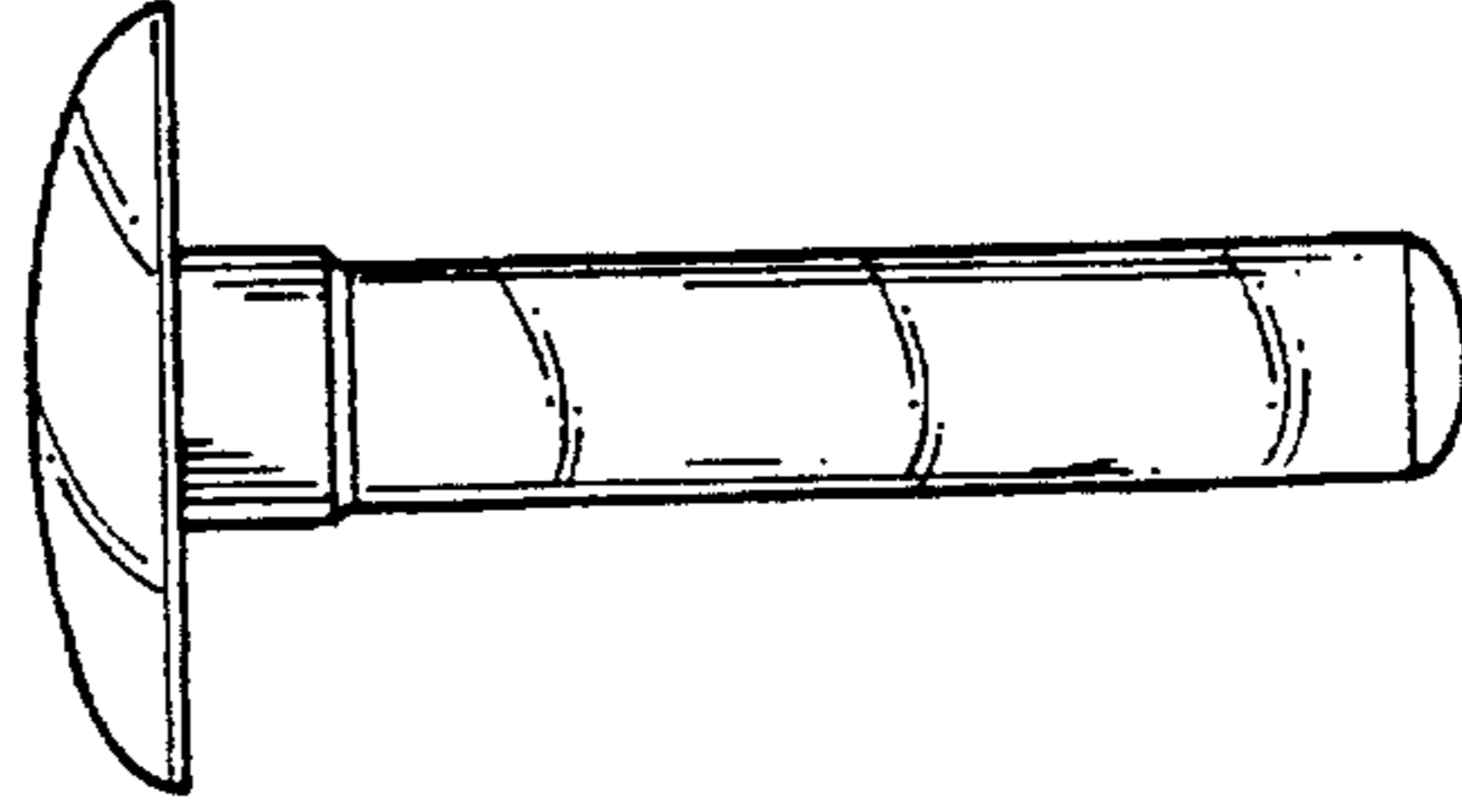


FIG 7