



US00D376014S

United States Patent [19]

McKenney

[11] **Patent Number: Des. 376,014**

[45] **Date of Patent: **Nov. 26, 1996**

[54] **PACIFIER**

[76] Inventor: **Brian K. McKenney**, 7840 S. Franklin Rd., Indianapolis, Ind. 46259

[**] Term: **14 Years**

[21] Appl. No.: **46,079**

[22] Filed: **Nov. 7, 1995**

[52] U.S. Cl. **D24/194**

[58] Field of Search D24/194, 193, D24/196; 606/234, 235, 236

[56] **References Cited**

U.S. PATENT DOCUMENTS

D. 312,312	11/1990	Herritz	D24/194
D. 335,929	5/1993	Cunningham et al.	D24/194
D. 340,525	10/1993	Rönrig	D24/194
5,403,349	4/1995	Römnig	606/234

Primary Examiner—Stella Reid
Attorney, Agent, or Firm—James A. Hudak

[57] **CLAIM**

The ornamental design for a pacifier, as shown and described.

DESCRIPTION

FIG. 1 is a perspective view of the pacifier showing my new design;

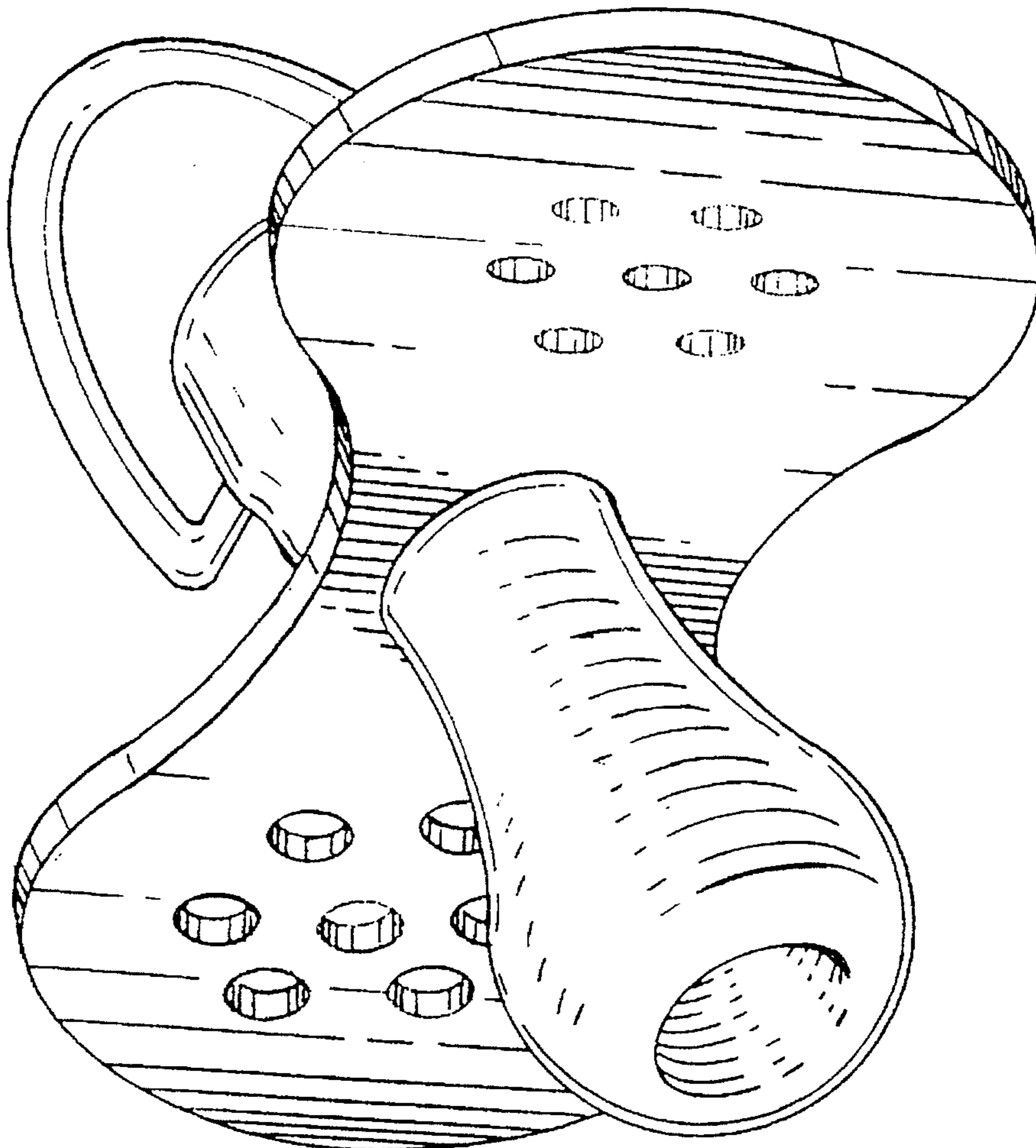
FIG. 2 is a front elevational view thereof;

FIG. 3 is a rear elevational view thereof;

FIG. 4 is a top plan view thereof, the bottom plan view being a mirror image of the view shown in this Figure; and,

FIG. 5 is a right side elevational view thereof; the left side elevational view being a mirror image of the view shown in this Figure.

1 Claim, 2 Drawing Sheets



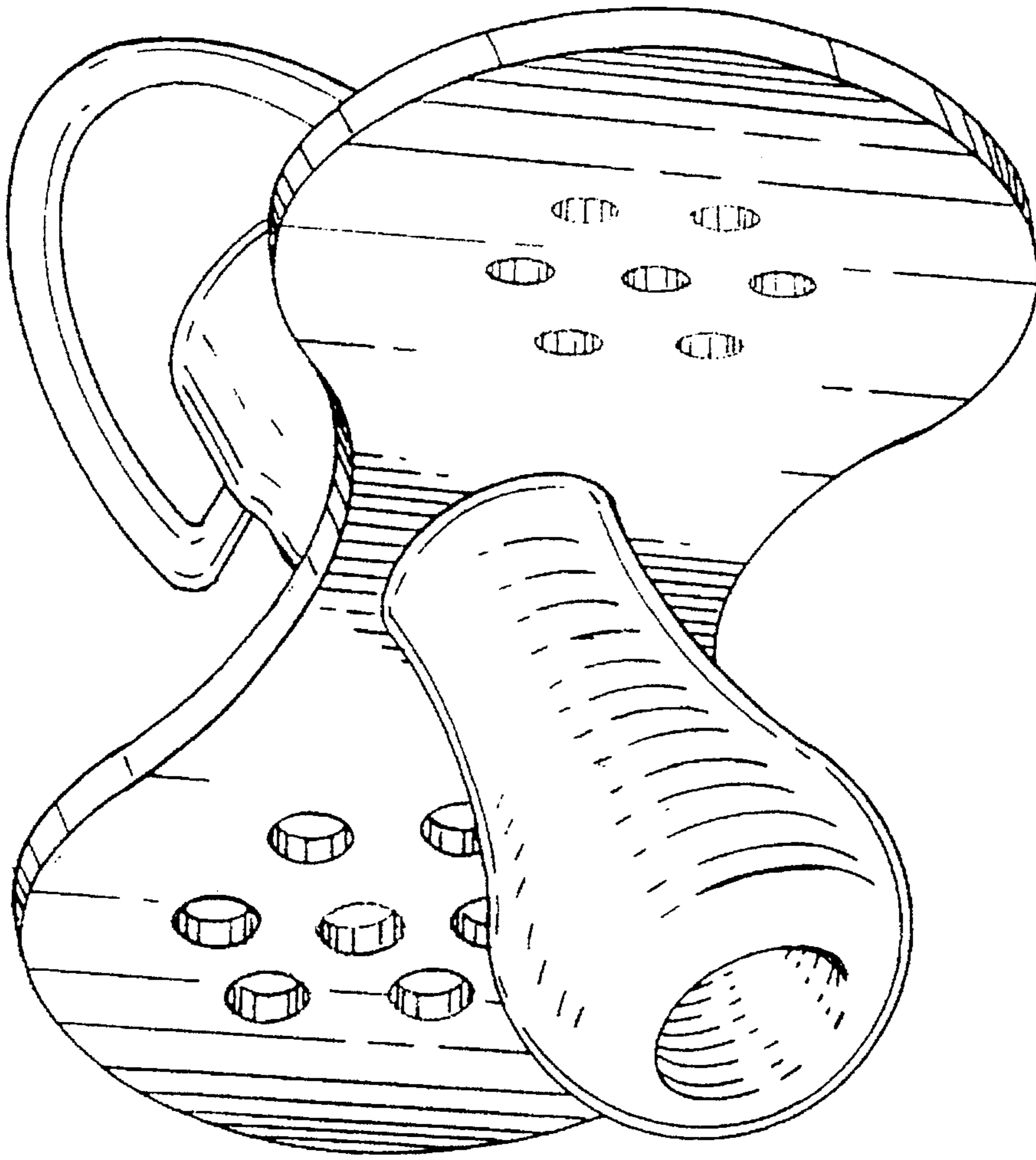


FIG. 1

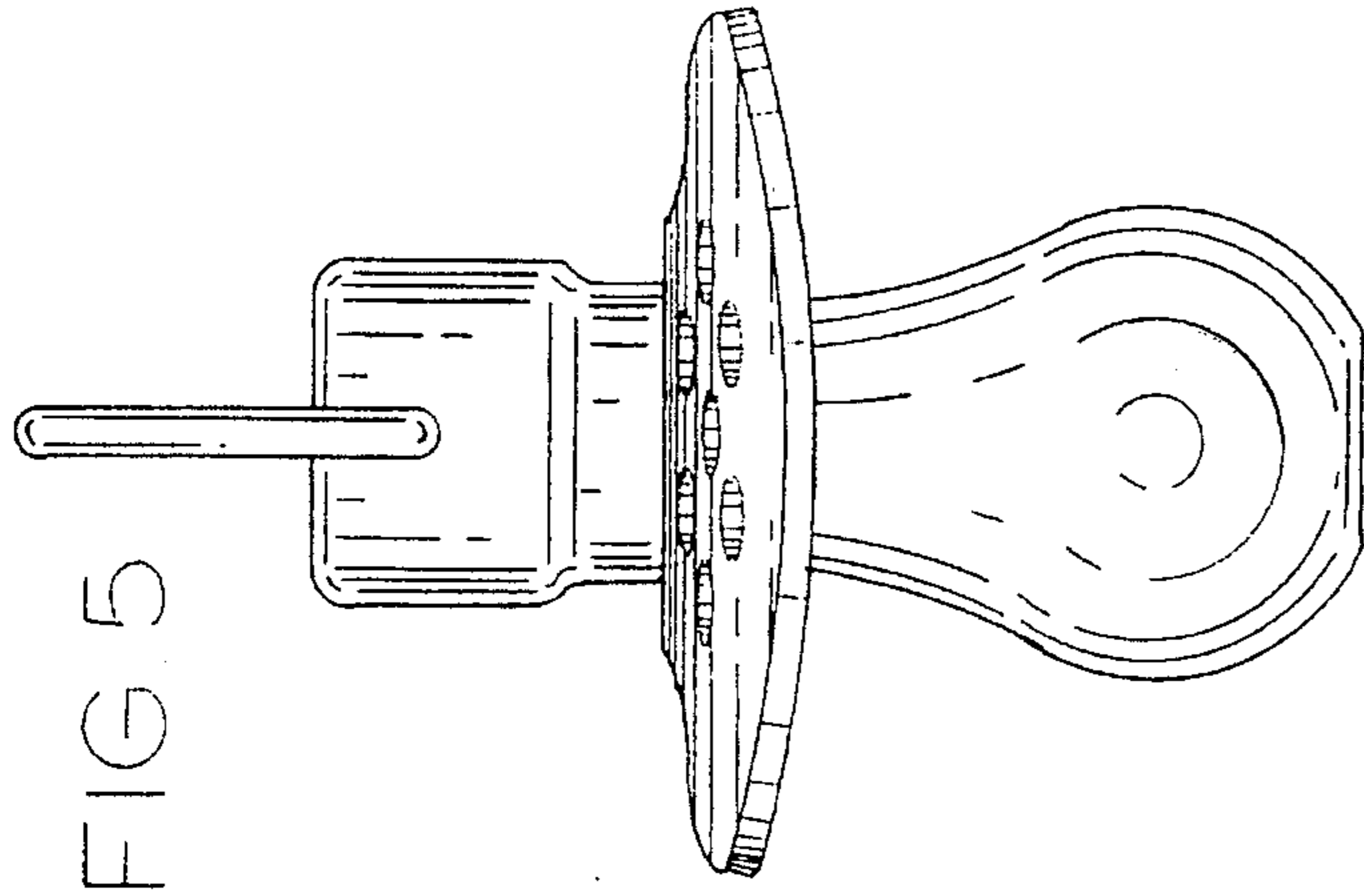


FIG. 5

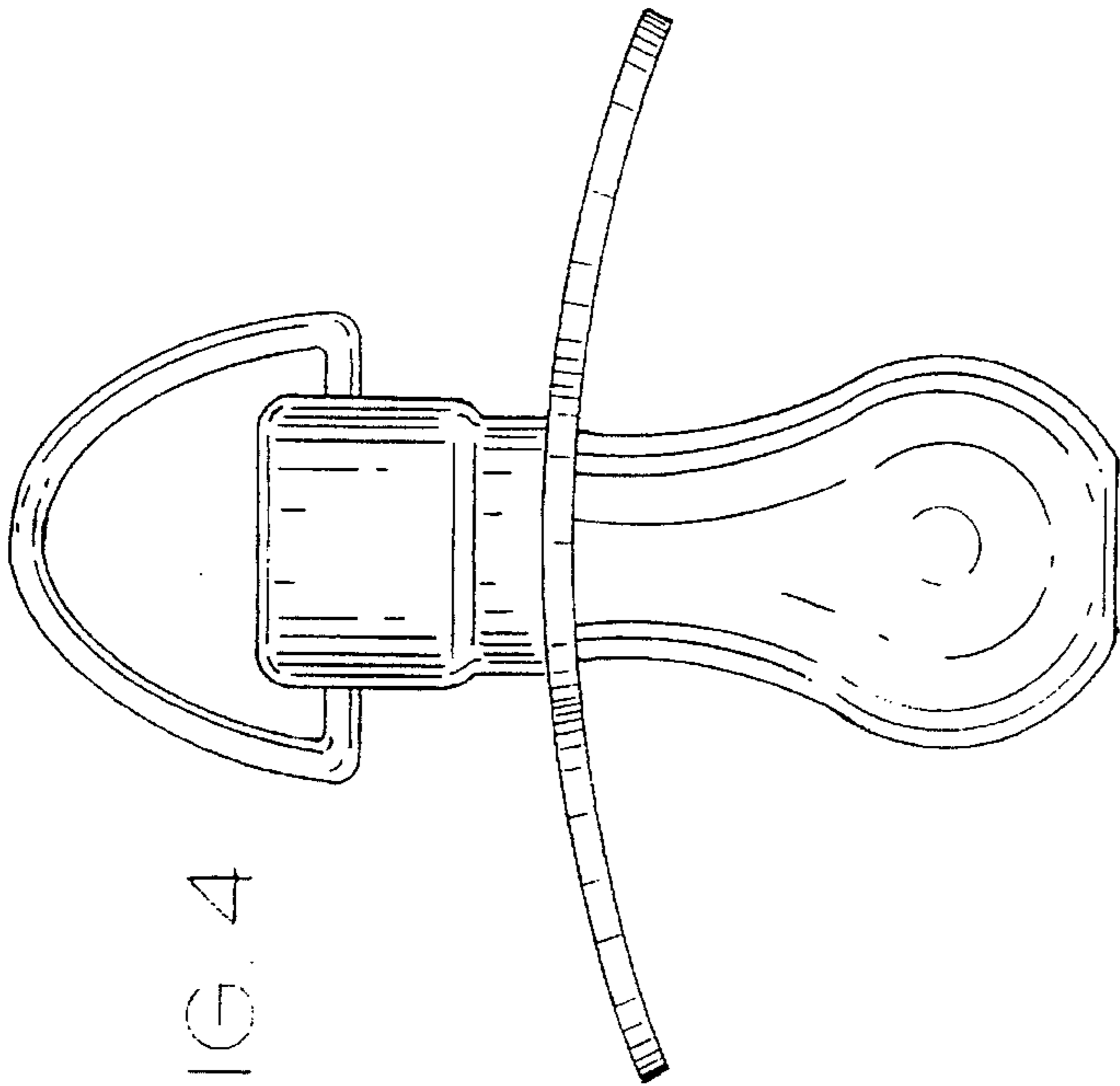


FIG. 4

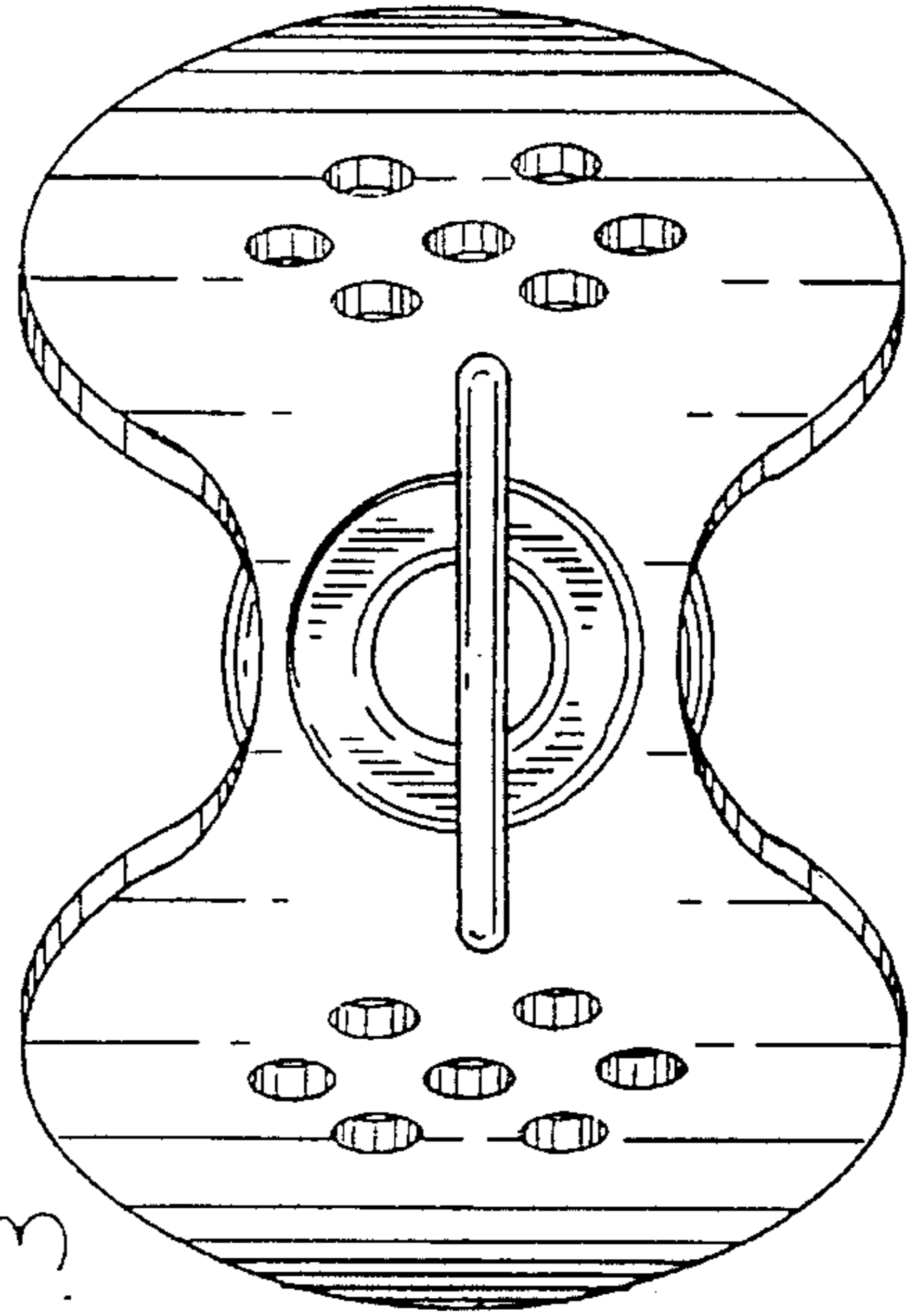


FIG. 3

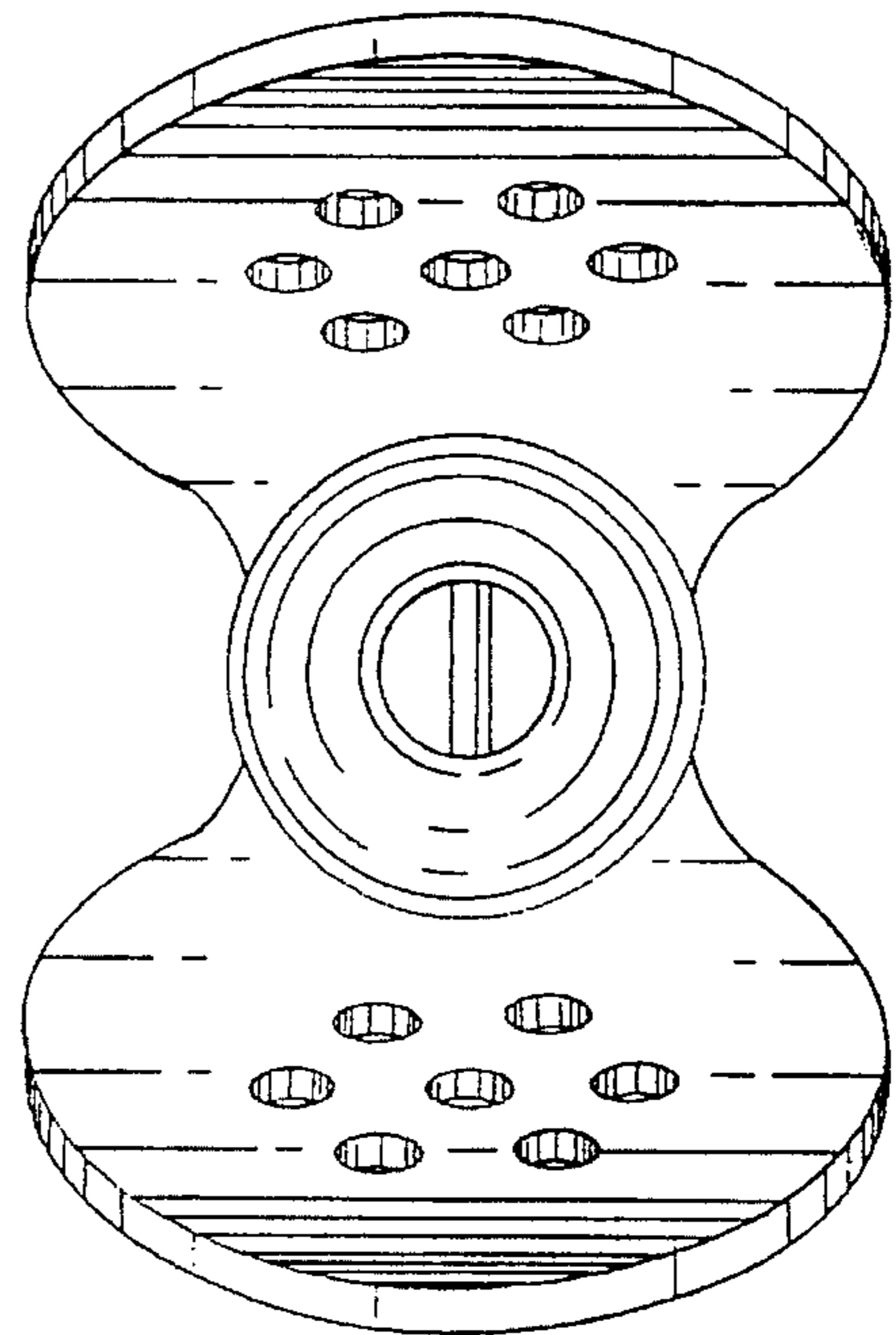


FIG. 2