



US00D376013S

United States Patent [19]

Sandman et al.

[11] Patent Number: Des. 376,013

[45] Date of Patent: **Nov. 26, 1996

[54] **COMPRESSION SLEEVE FOR DEEP VEIN THROMBOSIS**

[75] Inventors: **Terry L. Sandman**, Toledo, Ohio;
Kenneth M. Bolam; **Donald H. Peeler**,
both of Charlotte, N.C.

[73] Assignee: **Beiersdorf-Jobst, Inc.**, Charlotte, N.C.

[**] Term: **14 Years**

[21] Appl. No.: **20,928**

[22] Filed: **Apr. 5, 1994**

[52] U.S. Cl. **D24/169**; D24/143

[58] **Field of Search** D24/143, 165,
D24/167, 169; 128/677, 678, 672, 748,
687, 691, 686; 606/201, 202, 203

[56] **References Cited**

U.S. PATENT DOCUMENTS

D. 302,301	7/1989	Rubiette-Lehman	D24/143
3,467,077	9/1969	Cohen	128/686
3,603,304	9/1971	Maier	128/686
4,013,069	3/1977	Hasty	128/686 X
4,156,425	5/1979	Arkans	.	
4,198,961	4/1980	Arkans	.	
4,207,876	6/1980	Annis	.	
4,253,449	3/1981	Arkans et al.	.	
4,320,746	3/1982	Arkans et al.	.	
4,396,010	8/1983	Arkans	.	
4,408,599	10/1983	Mumment	.	
4,624,244	11/1986	Taheri	601/152
4,624,248	11/1986	Poole et al.	601/148 X
4,635,635	1/1987	Robinette-Lehman	606/202
5,014,681	5/1991	Neeman et al.	601/150 X
5,031,604	7/1991	Dye	.	
5,263,473	11/1993	McWhorter	.	
5,312,431	5/1994	McEwen	128/672 X
5,383,842	1/1995	Bertini	601/152 X

OTHER PUBLICATIONS

The Jobst Athrombic Pump System "Disposable Wrap Around Pneumatic Sleeve" Photo.
Jobst brochure entitled, *Wrap-Around Pneumatic Sleeves* (1989).

Jobst brochure entitled, *Disposable Wrap-Around Pneumatic Sleeves* (1990).

Jobst article entitled, *Deep Vein Thrombosis*, Form 294 R3 (1981).

Jobst brochure entitled, *Venous Thrombosis in the High-Risk Patient*, Form 945 (1987).

Primary Examiner—Louis S. Zarfaz

Assistant Examiner—I. Simmons

Attorney, Agent, or Firm—Bell, Seltzer, Park & Gibson, P.A.

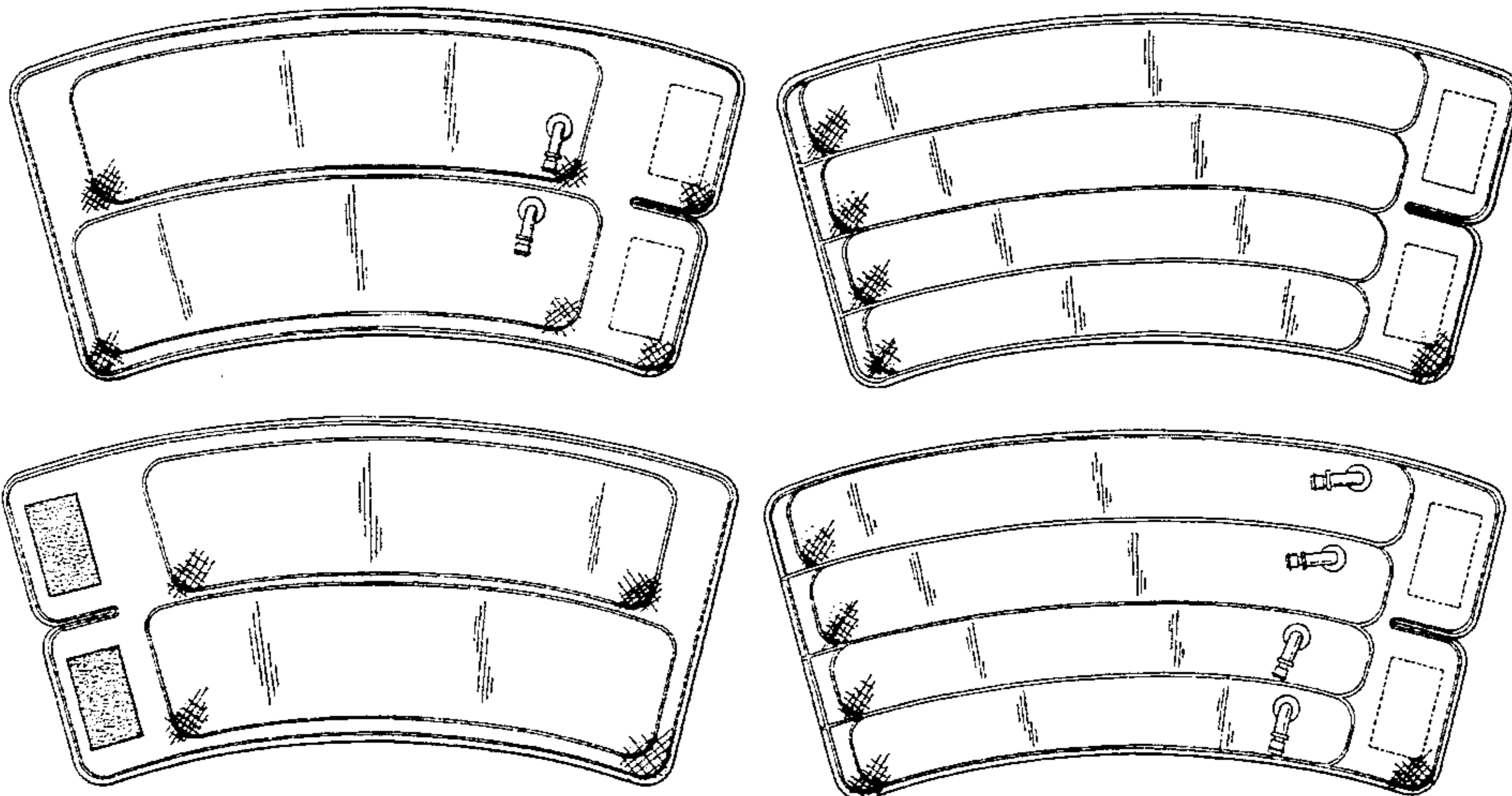
[57] **CLAIM**

The ornamental design for a compression sleeves for deep vein thrombosis, as shown and described.

DESCRIPTION

FIG. 1 is a perspective view of the compression sleeve for deep vein thrombosis which illustrates the new design; FIG. 2 is a top plan view thereof; FIG. 3 is a front view thereof; FIG. 4 is a bottom view thereof; FIG. 5 is a rear view of FIG. 1; FIG. 6 is a right side view of FIG. 1; FIG. 7 is a left side view of FIG. 1; FIG. 8 is a top plan view of a second embodiment of FIG. 1; FIG. 9 is a front view of FIG. 8; FIG. 10 is a bottom view of FIG. 8; FIG. 11 is a rear view of FIG. 8; FIG. 12 is a right side view of FIG. 8; FIG. 13 is a left side view of FIG. 8; FIG. 14 is a top plan view of a third embodiment of FIG. 1; FIG. 15 is a front view of FIG. 14; FIG. 16 is a bottom view of FIG. 14; FIG. 17 is a rear view of FIG. 14; FIG. 18 is a right side view of FIG. 14; FIG. 19 is a left side view of FIG. 14; FIG. 20 is a top plan view of a fourth embodiment of FIG. 1; FIG. 21 is a front view of FIG. 20; FIG. 22 is a bottom view of FIG. 20; FIG. 23 is a rear view of FIG. 20; FIG. 24 is a right side view of FIG. 20; and, FIG. 25 is a left side view of FIG. 20.

1 Claim, 7 Drawing Sheets



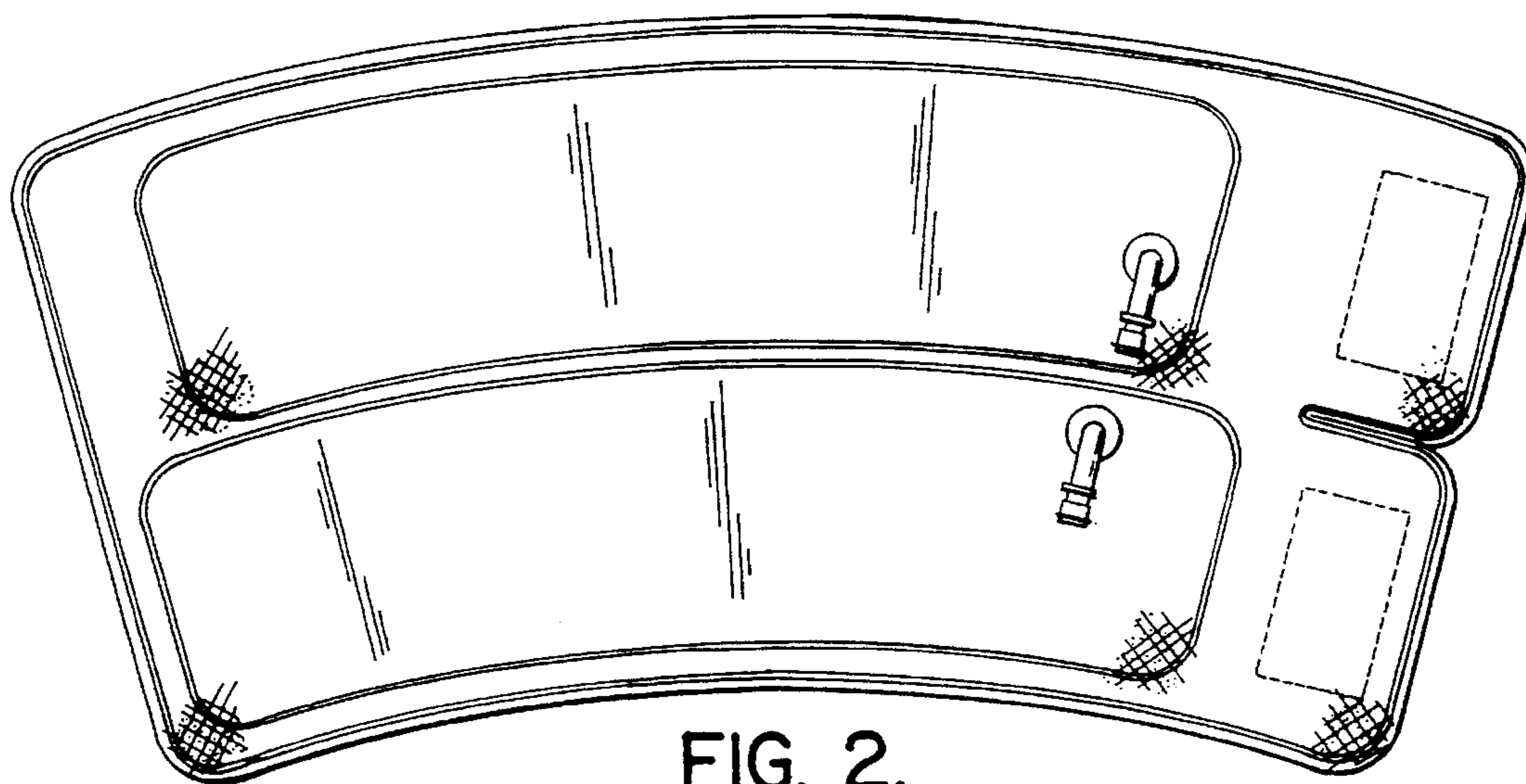
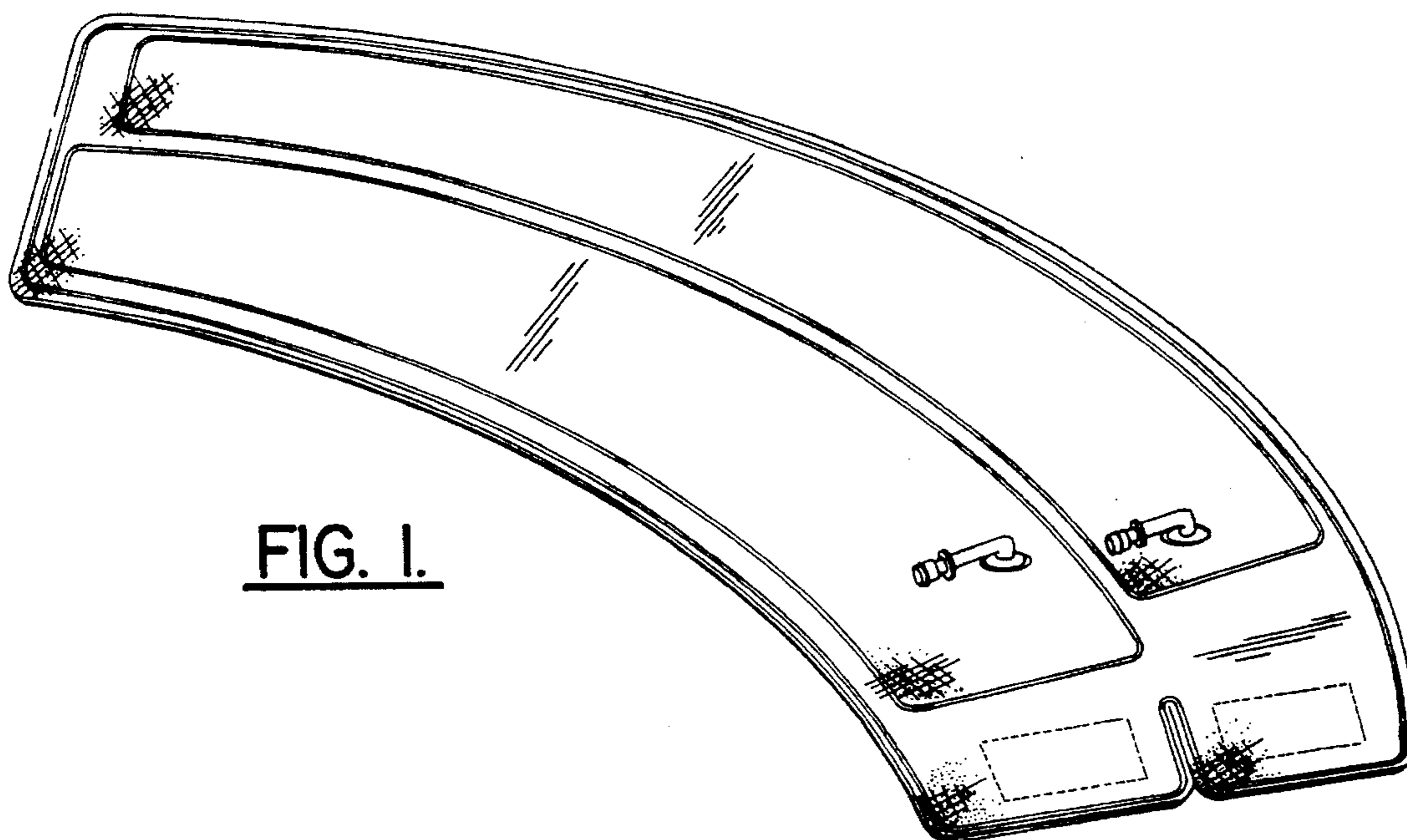


FIG. 3.

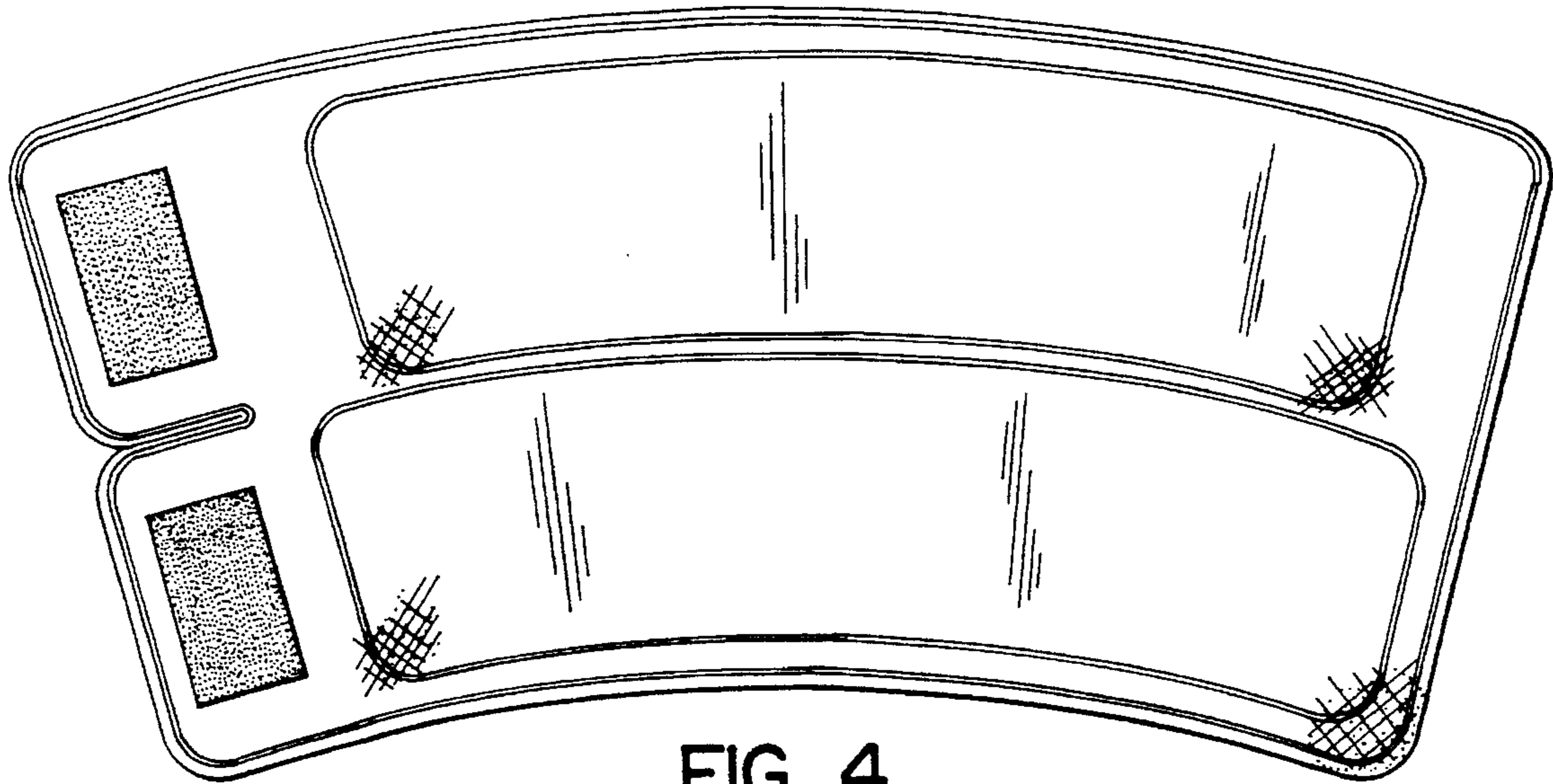


FIG. 4.



FIG. 5.



FIG. 6.



FIG. 7.

FIG. 8.

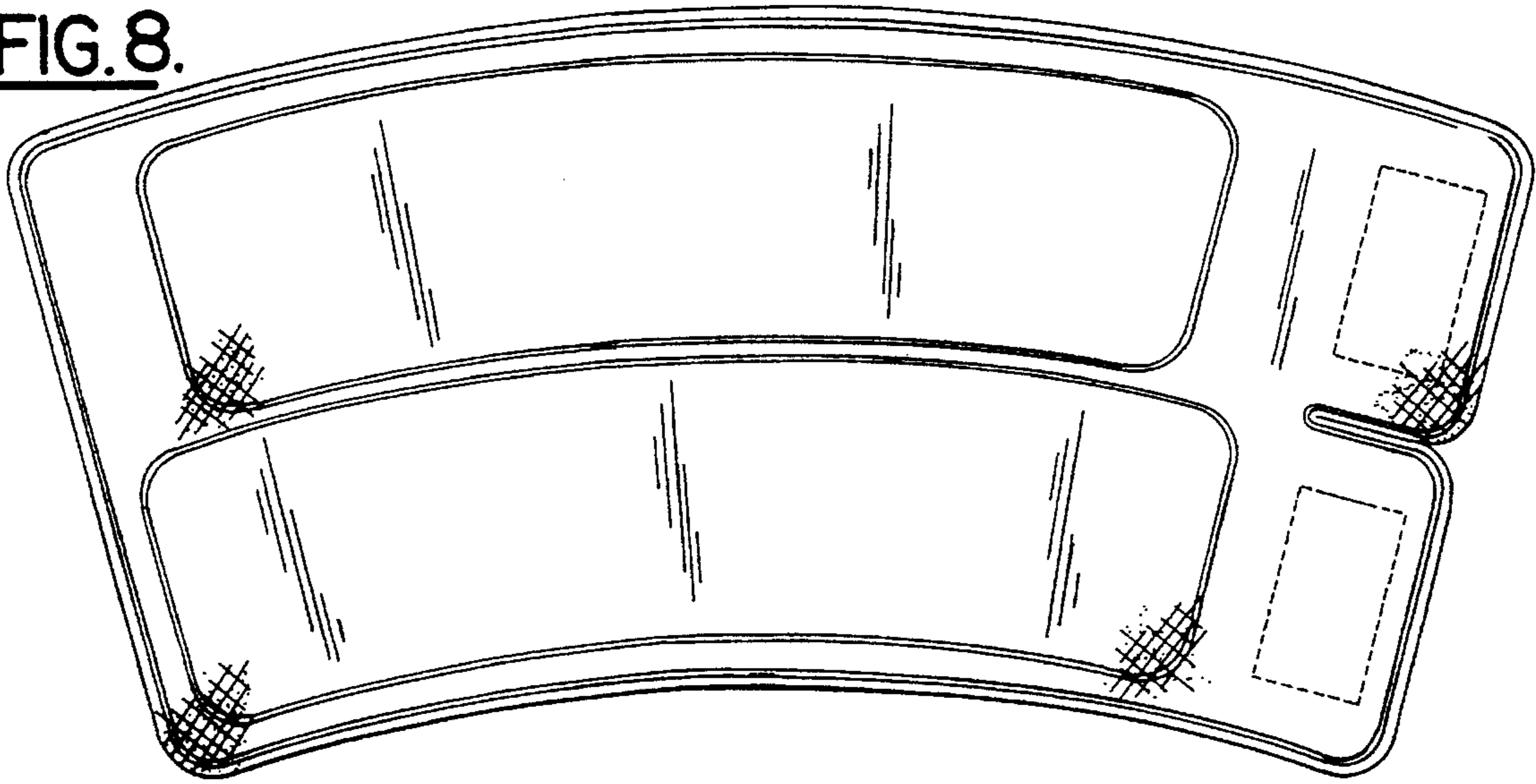


FIG. 9.

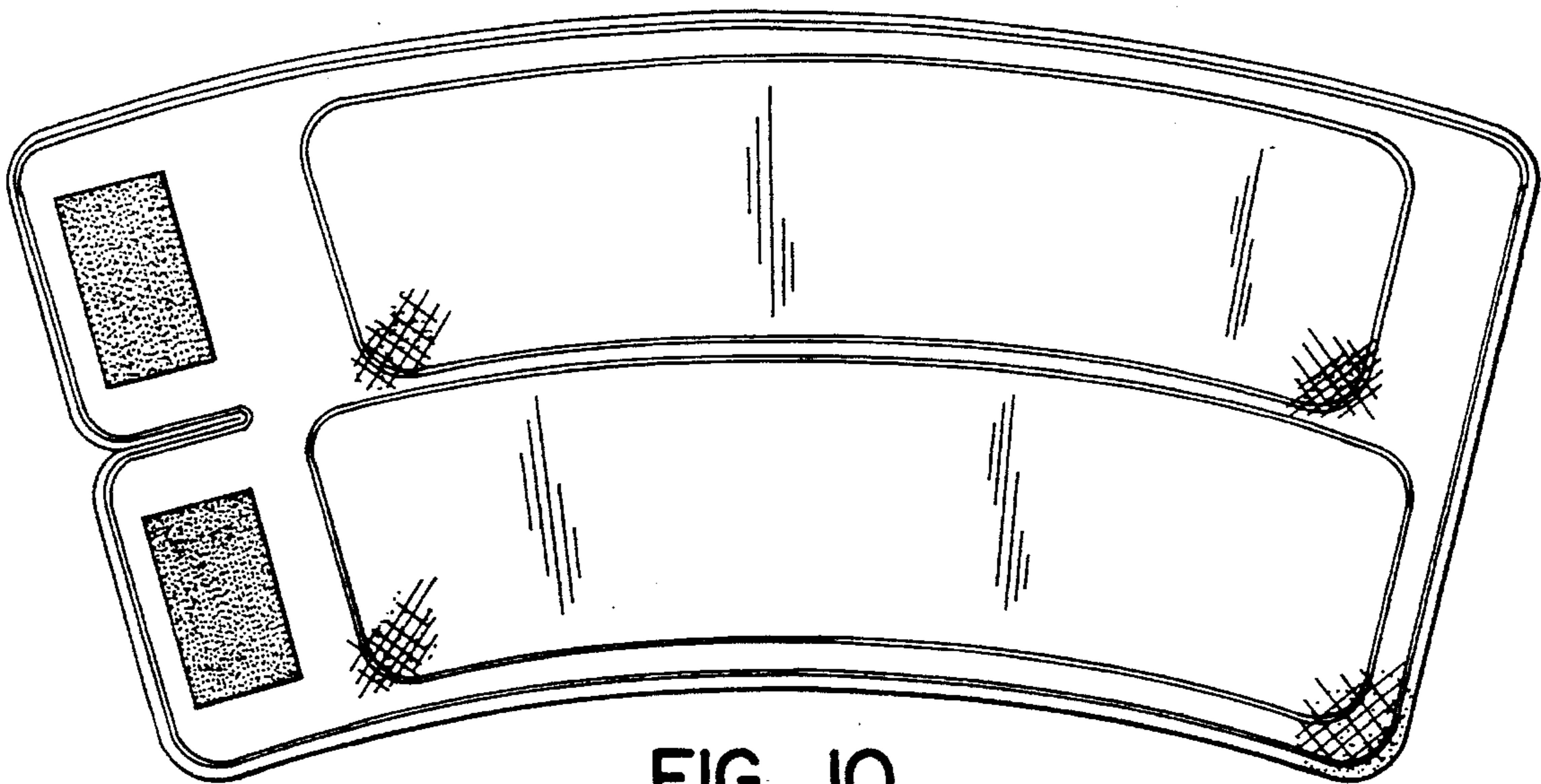


FIG. 10.

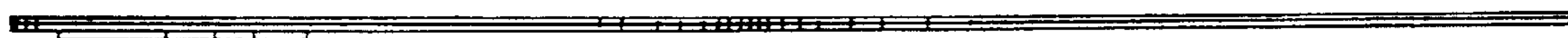


FIG. 11.

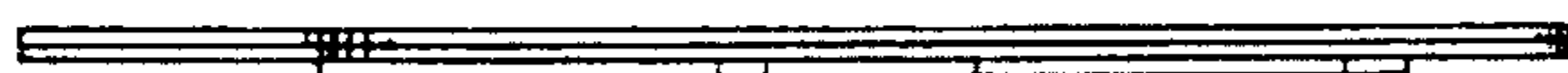


FIG. 12.

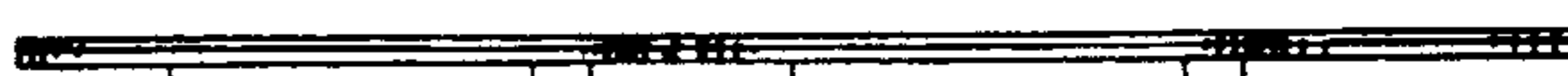


FIG. 13.

FIG. 14.

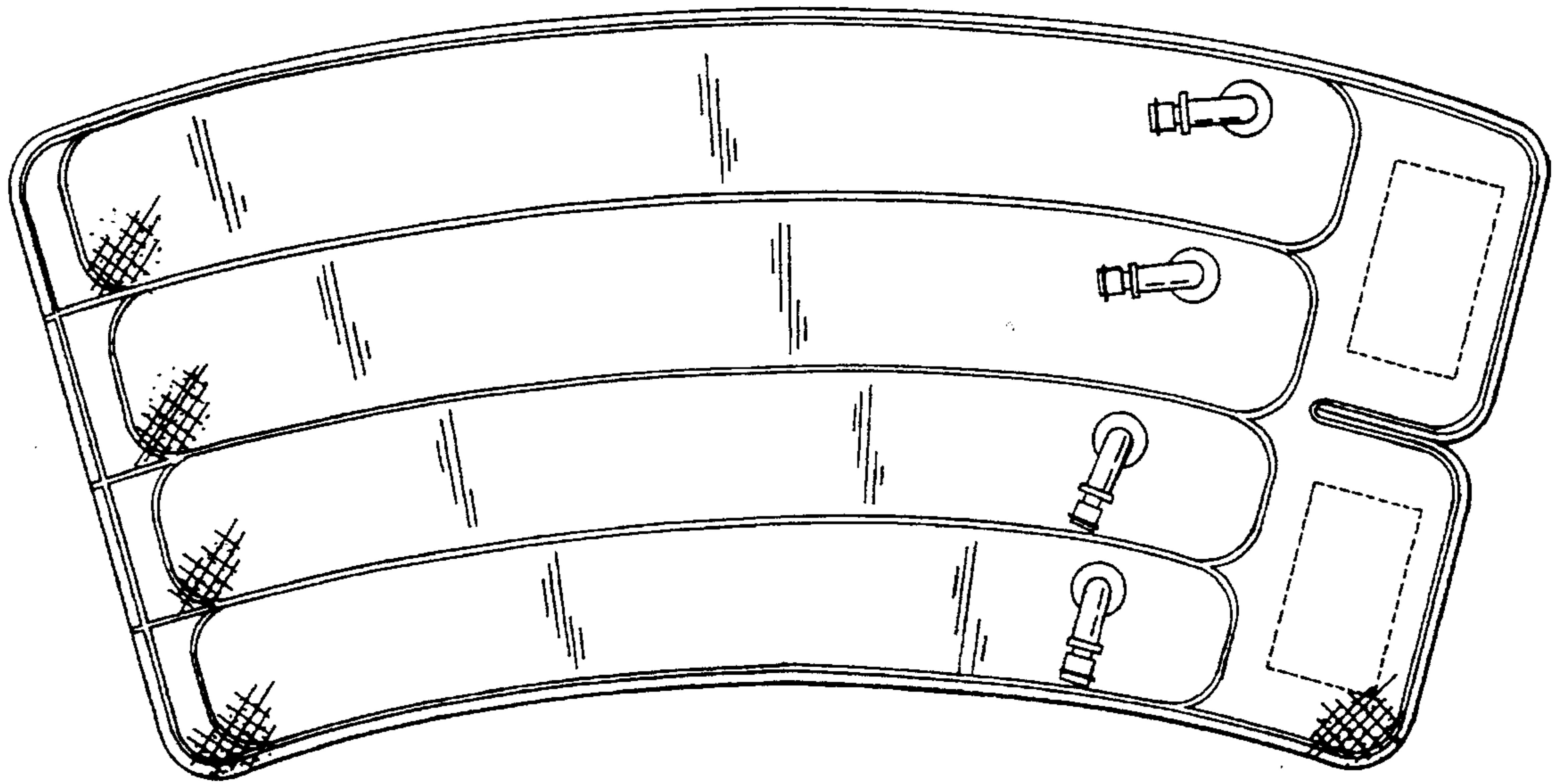


FIG. 15.

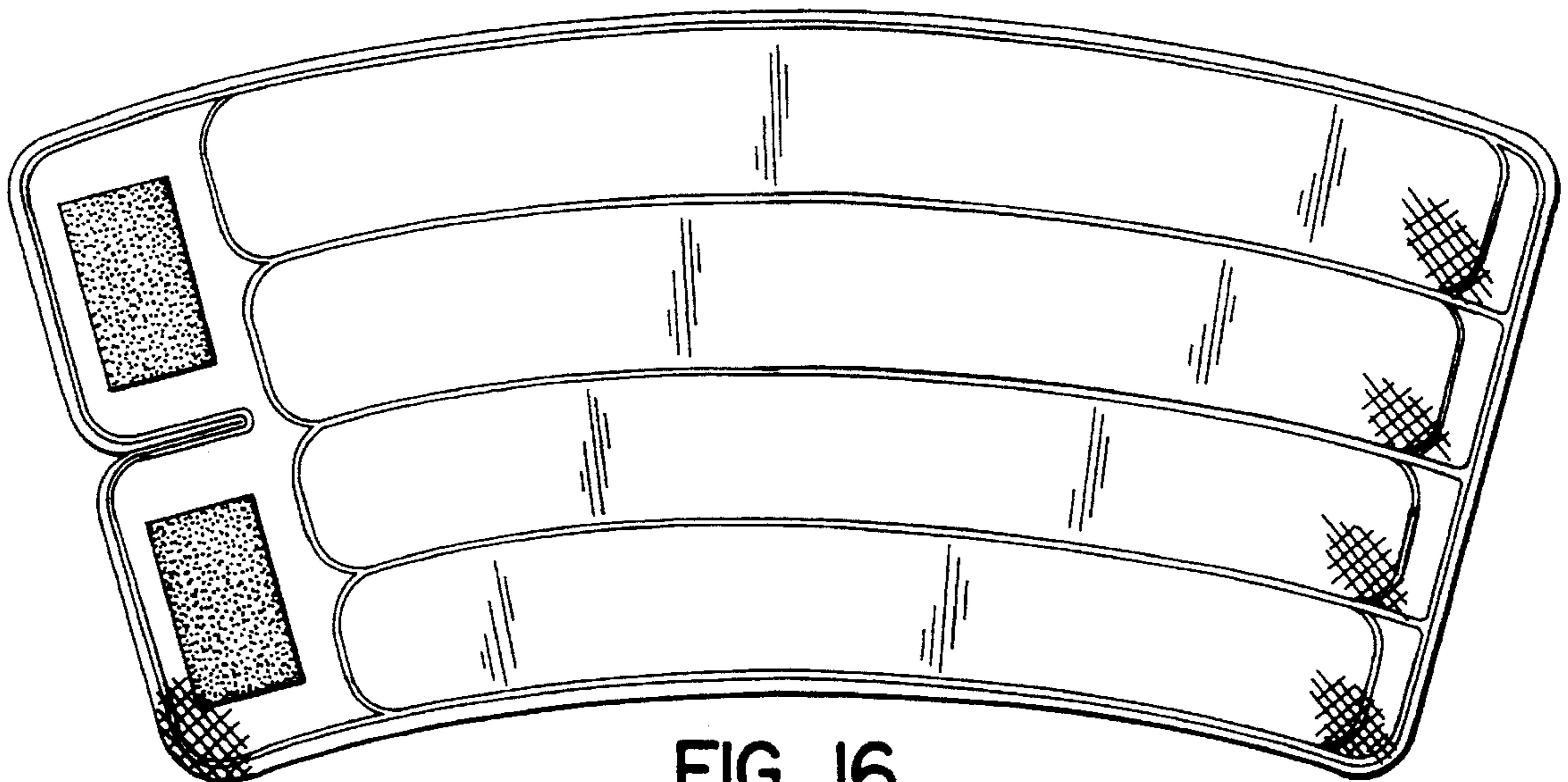


FIG. 16.



FIG. 17.



FIG. 18.



FIG. 19.

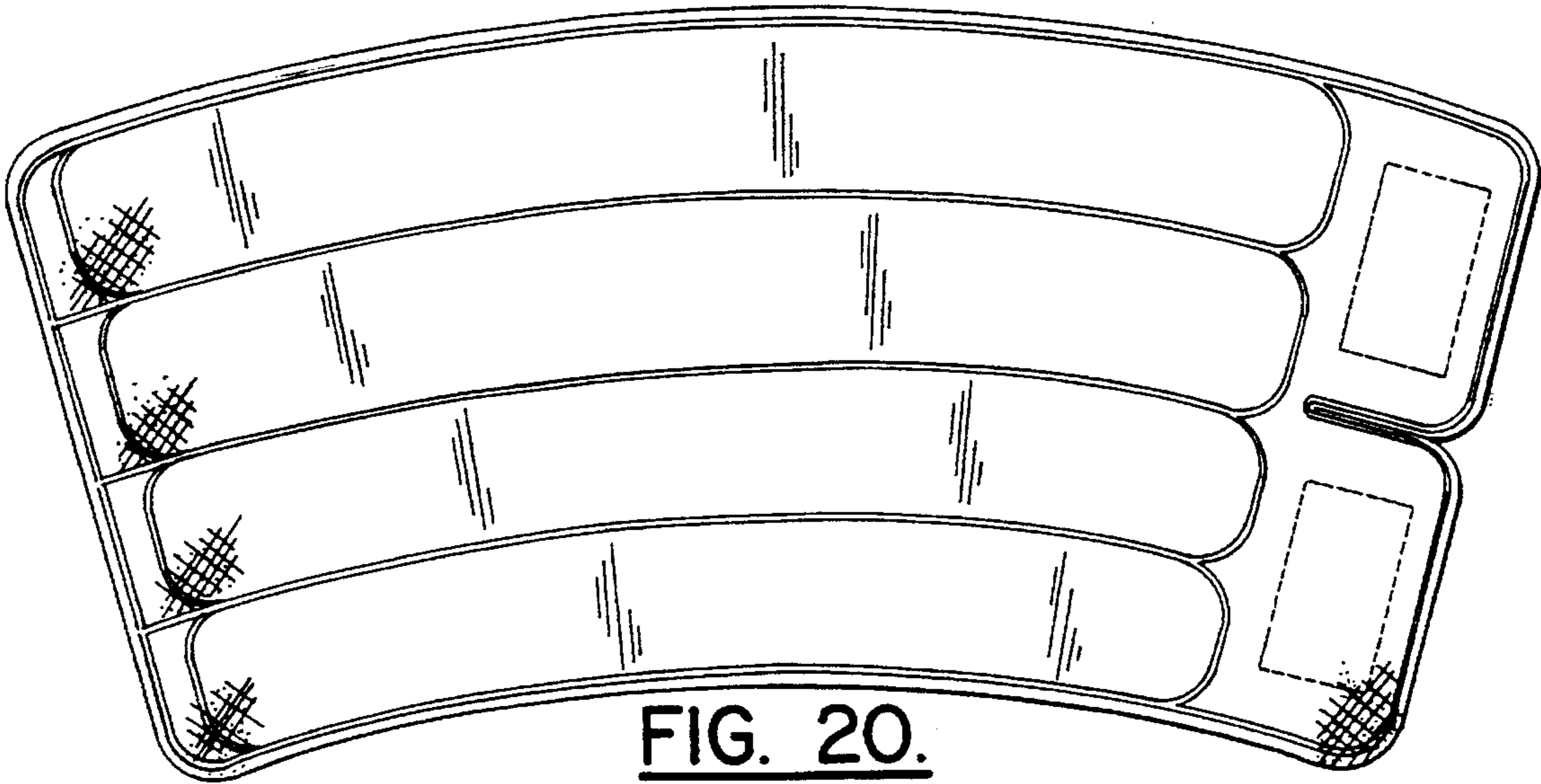


FIG. 20.

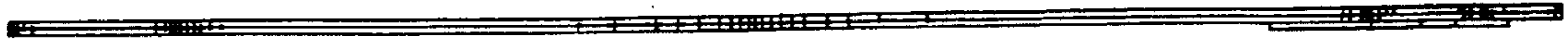


FIG. 21.

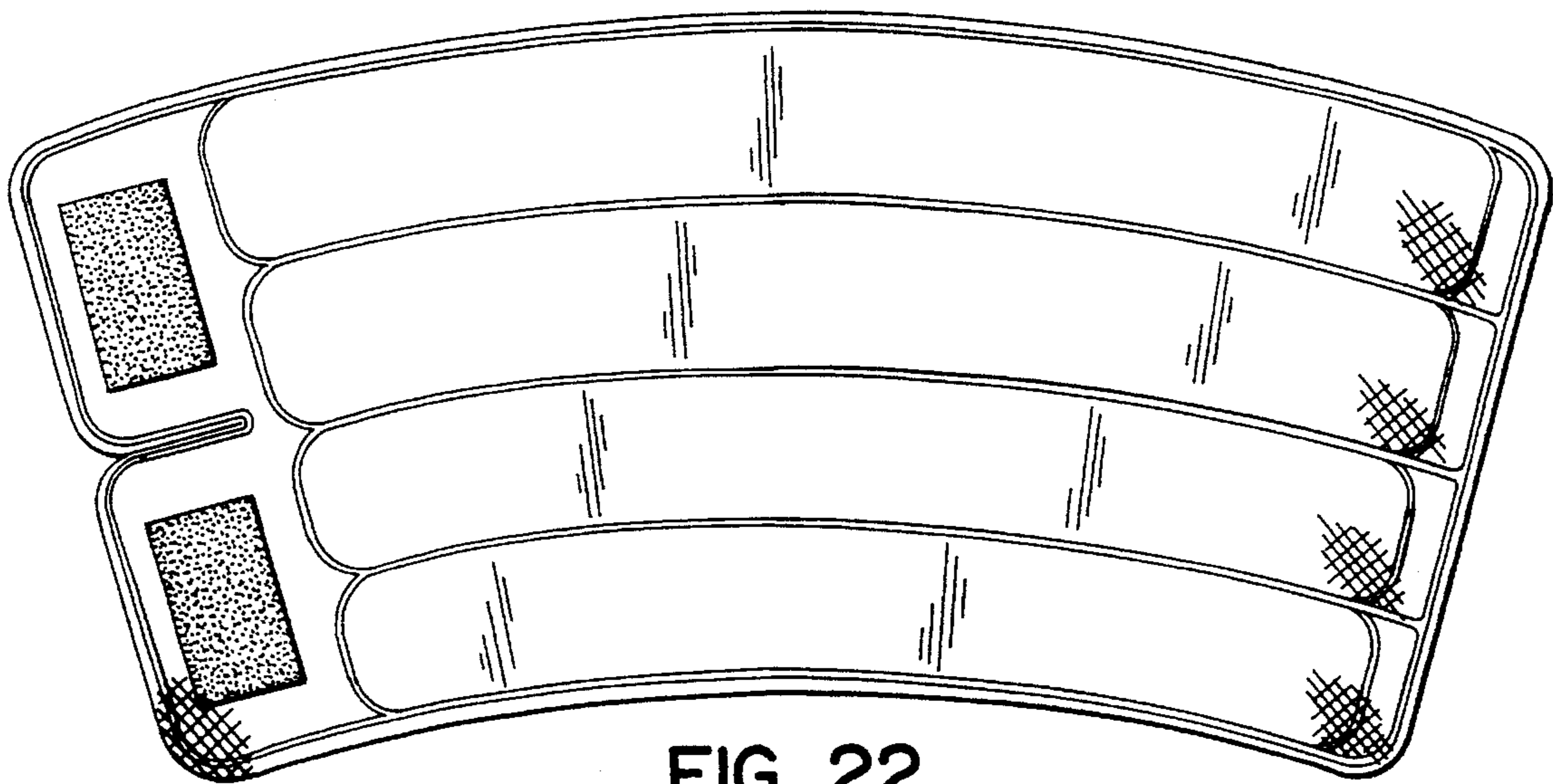


FIG. 22.



FIG. 23.

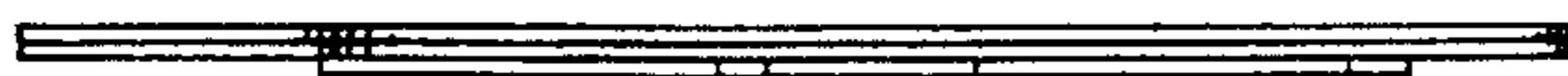


FIG. 24.



FIG. 25.

UNITED STATES PATENT AND TRADEMARK OFFICE
CERTIFICATE OF CORRECTION

PATENT NO. : Des. 376,013
DATED : November 26, 1996
INVENTOR(S) : Sandman, et al.

It is certified that error appears in the above-identified patent and that said Letters Patent is hereby corrected as shown below:

On the cover page, U.S. Patent References, Column 1, line 1, delete "Rubinette" and insert --Robinette-- therefor.

On the cover page, U.S. Patent References, Column 1, line 11, delete "Mumment" and insert --Mummert-- therefor.

On the cover page, Other Publications, lines 1-2, delete "Wrap Around" and insert --Wrap-Around-- therefor.

On the cover page, Column 2, in the claim, line 1, delete "sleeves" and insert --sleeve-- therefor.

On the cover page, Column 2, in the Description of the Figures, next to last line, after "and" omit the comma (,).

Signed and Sealed this
Twentieth Day of May, 1997

Attest:



BRUCE LEHMAN

Attesting Officer

Commissioner of Patents and Trademarks