



US00D376012S

# United States Patent [19]

[11] Patent Number: **Des. 376,012**

Hixson, Sr.

[45] Date of Patent: **\*\*Nov. 26, 1996**

[54] **MAMMOGRAPHIC ACCESSORY**

[75] Inventor: **Gordon L. Hixson, Sr.**, Chattanooga, Tenn.

[73] Assignee: **American Mammographics, Inc.**, Chattanooga, Tenn.

[\*\*] Term: **14 Years**

[21] Appl. No.: **43,498**

[22] Filed: **Sep. 5, 1995**

[52] U.S. Cl. .... **D24/158**

[58] Field of Search ..... **D24/158; 378/37, 378/208, 205, 204**

[56] **References Cited**

**U.S. PATENT DOCUMENTS**

D. 359,558	6/1995	Nixson, Sr. ....	D24/158
4,901,335	2/1990	Ferlic et al. ....	378/37
4,943,986	7/1990	Barbarisi ....	378/37
5,040,198	8/1991	Nixson, Sr. ....	378/37
5,136,623	8/1992	Nixson, Sr. ....	378/37

*Primary Examiner*—Stella Reid  
*Attorney, Agent, or Firm*—Alan Ruderman

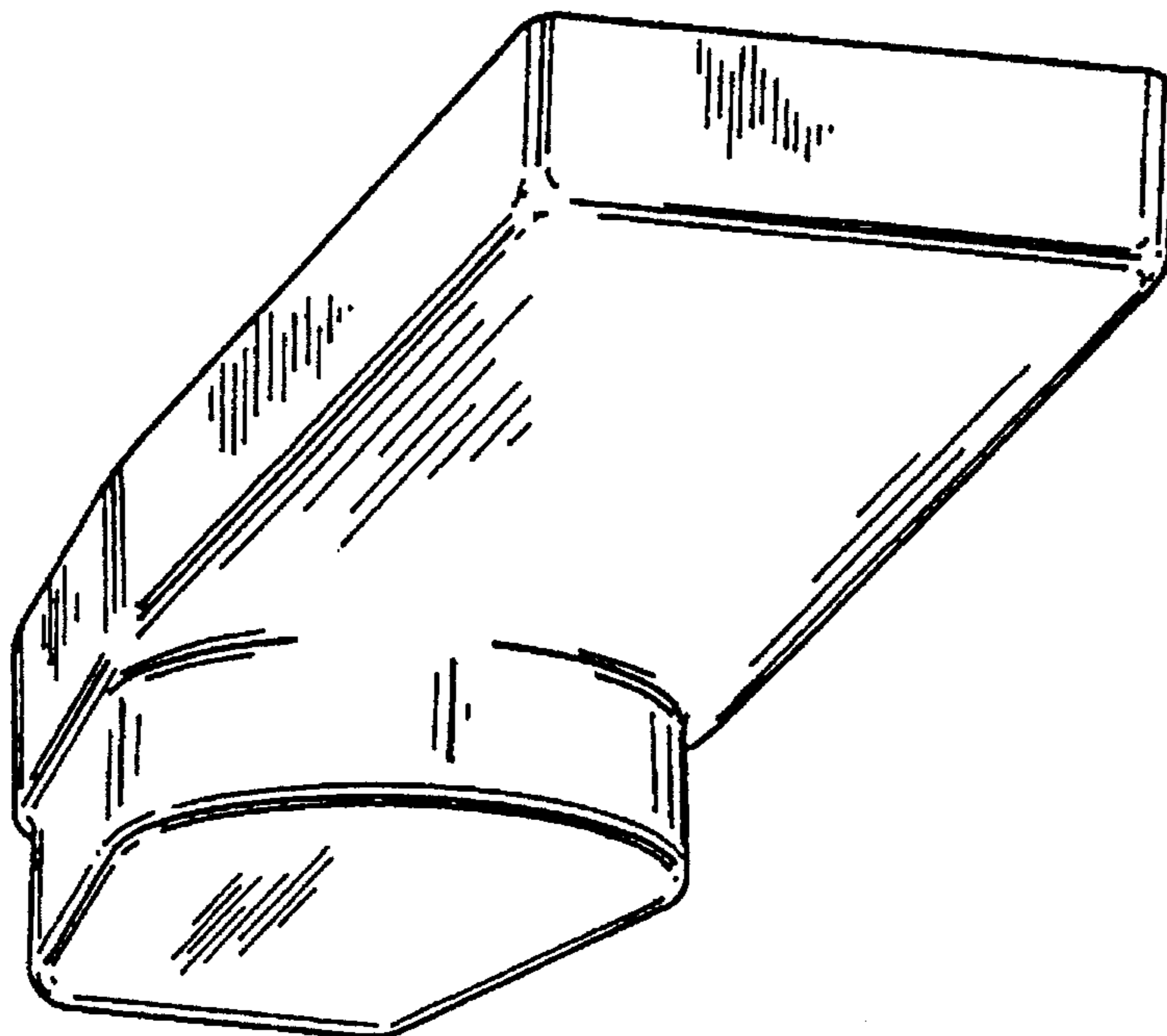
[57] **CLAIM**

The ornamental design for a mammographic accessory, as shown and described.

**DESCRIPTION**

FIG. 1 is a front perspective view of a first form of a mammographic accessory embodying my new design; FIG. 2 is a side elevational view thereof illustrating the right side of FIG. 1, the opposite side being a mirror image thereof; FIG. 3 is a bottom plan view thereof; FIG. 4 is a top plan view thereof; FIG. 5 is a front elevational view thereof; FIG. 6 is a rear elevational view thereof; FIG. 7 is a front perspective view of a second form of a mammographic accessory embodying my new design; FIG. 8 is a rear perspective view thereof; FIG. 9 is a bottom plan view thereof; FIG. 10 is a top plan view thereof; FIG. 11 is a front perspective view of a third form of a mammographic accessory embodying my new design; FIG. 12 is a rear perspective view thereof; FIG. 13 is a bottom plan view thereof; and, FIG. 14 is a top plan view thereof. FIGS. 5 and 6 also represent front and rear elevational views respectively of the second and third embodiments.

**1 Claim, 3 Drawing Sheets**



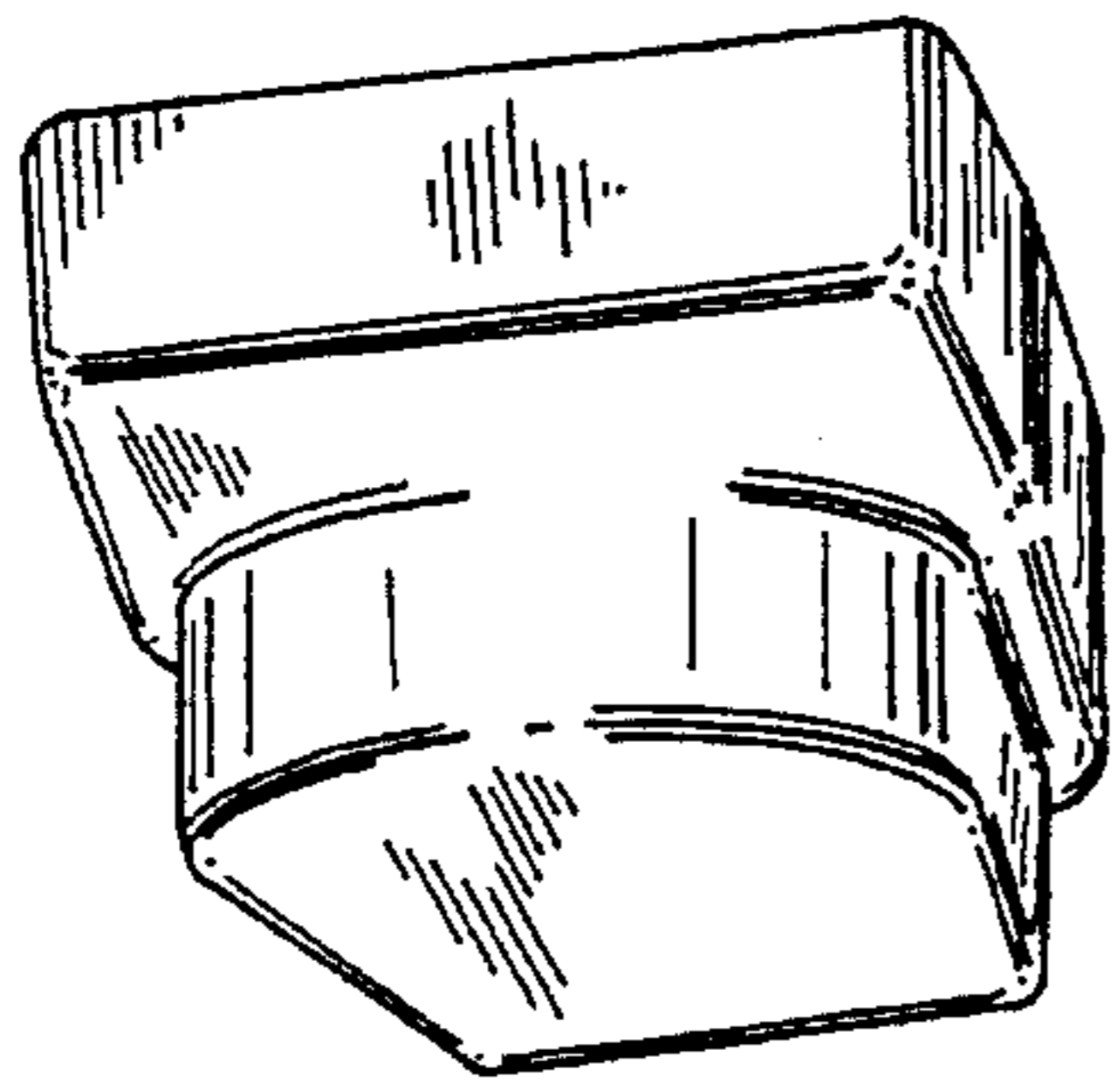


FIG. 1

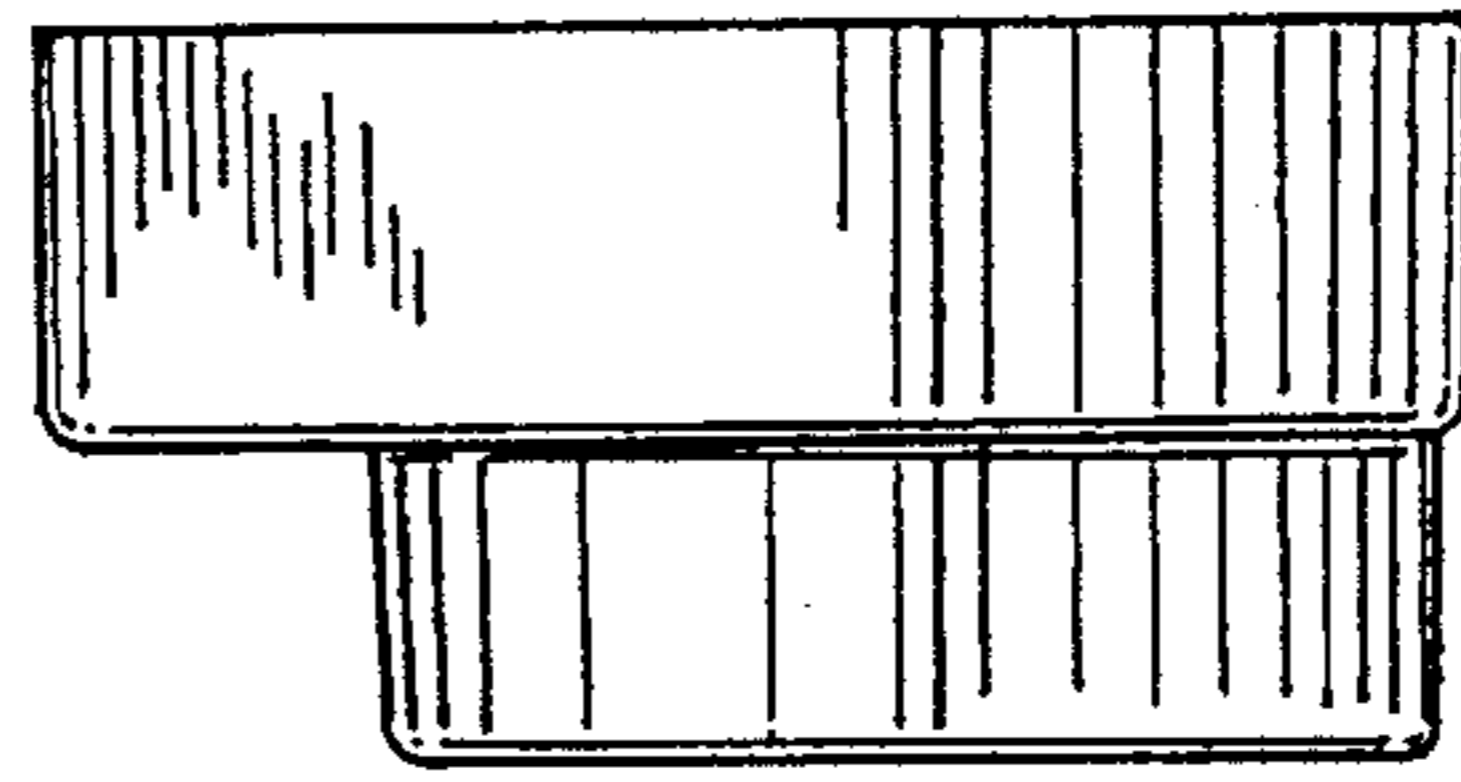


FIG. 2

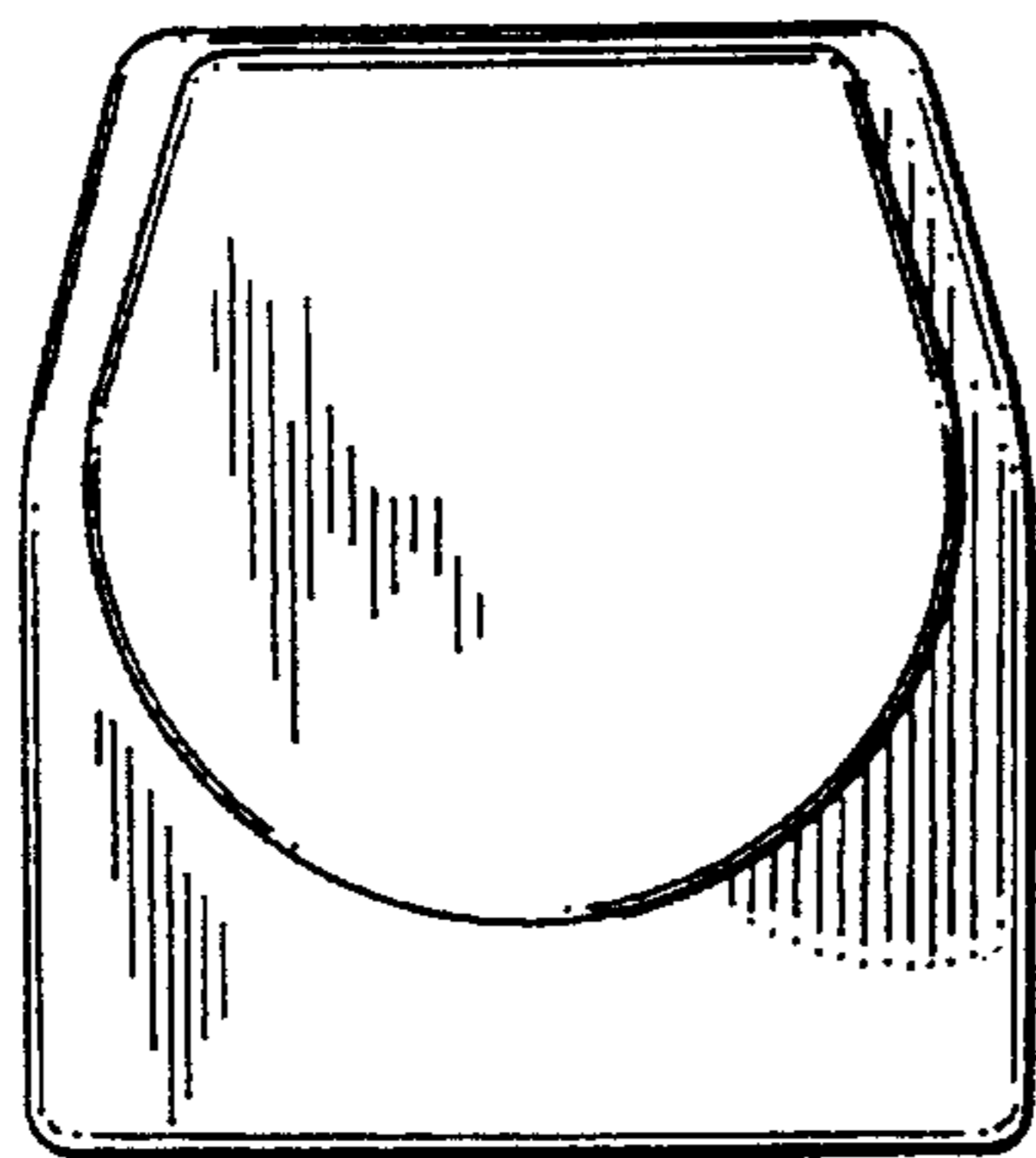


FIG. 3

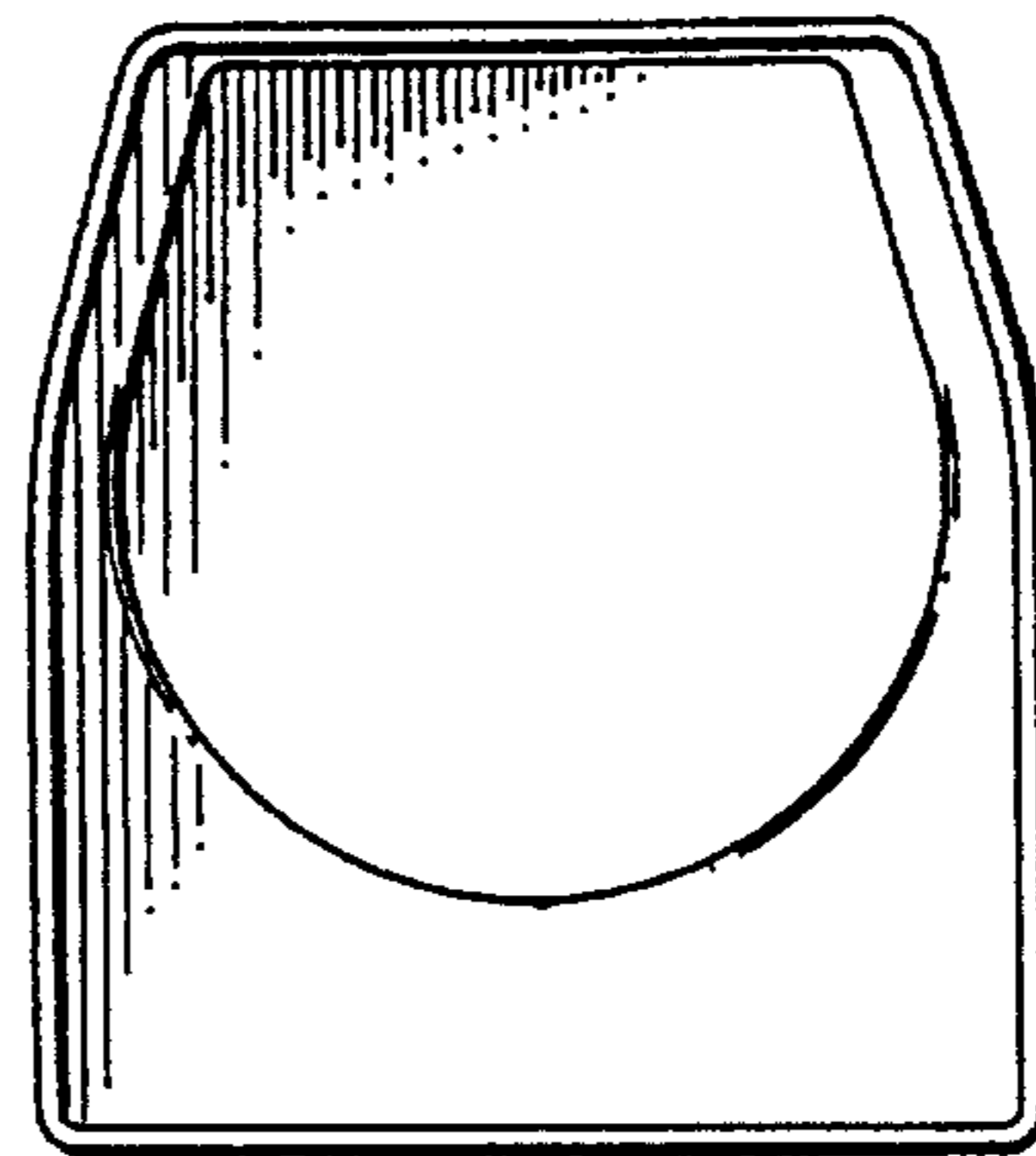


FIG. 4

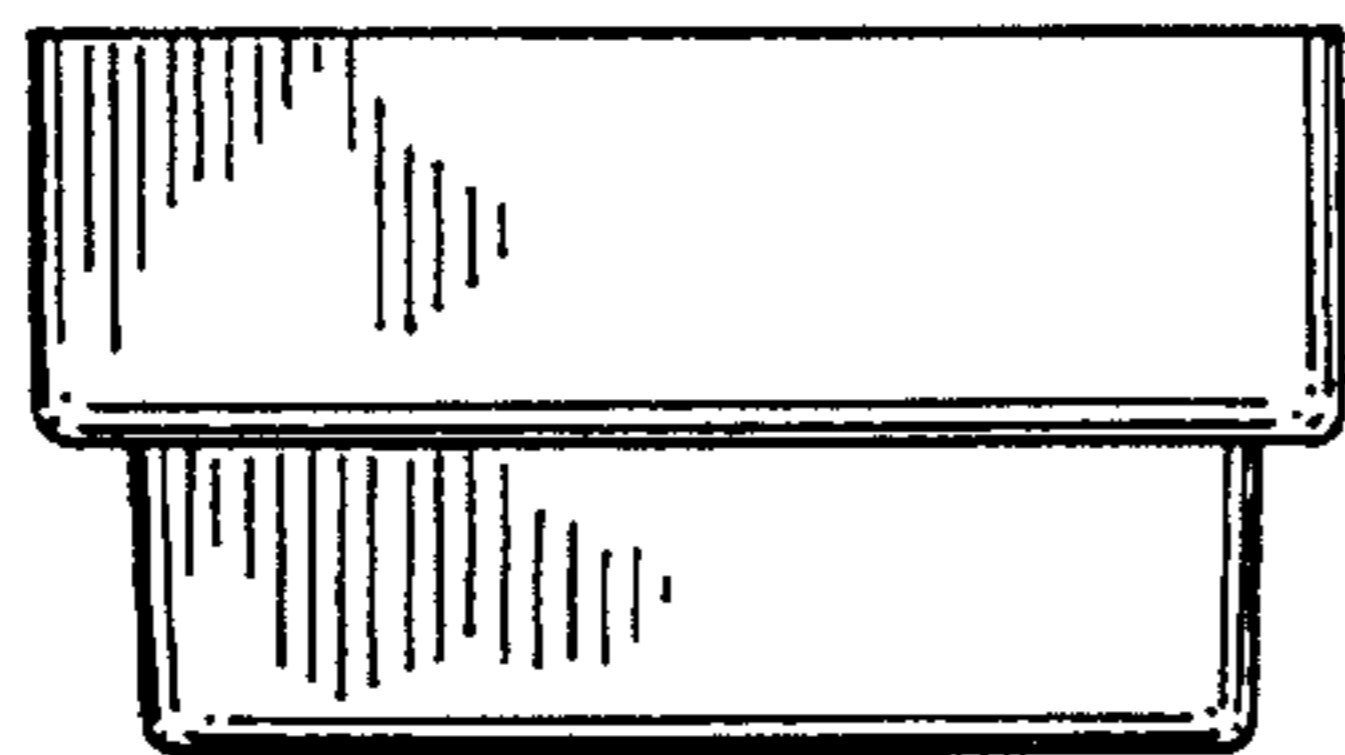


FIG. 5

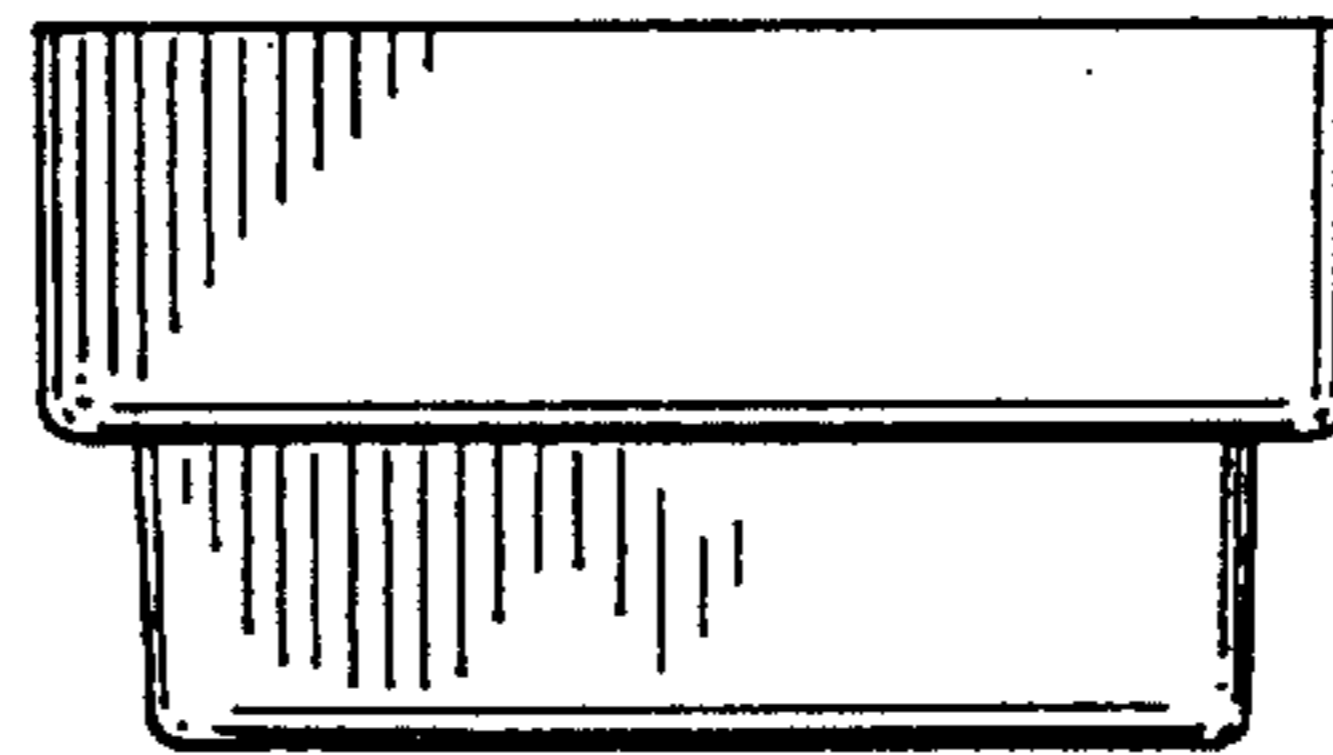


FIG. 6

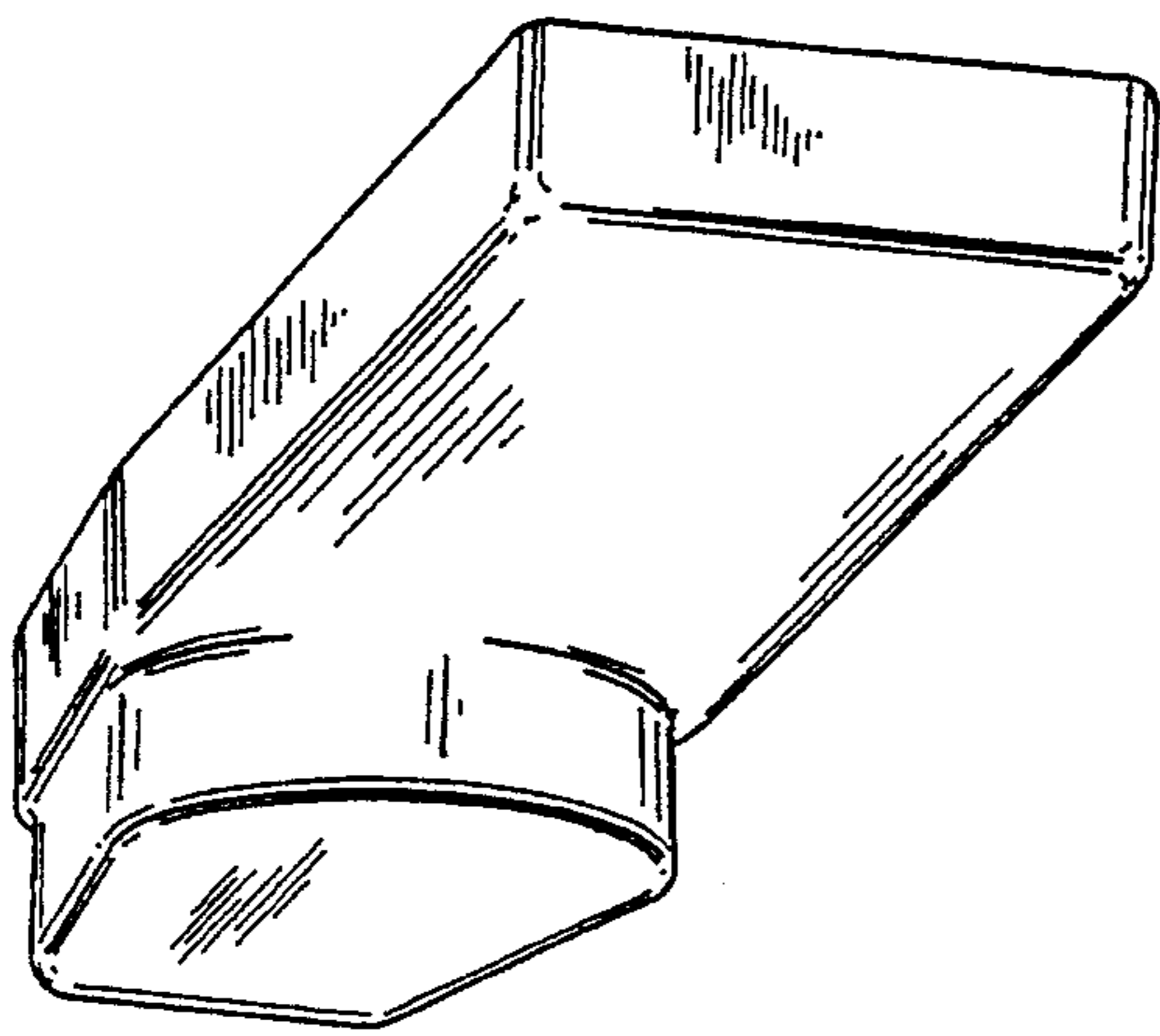


FIG. 7

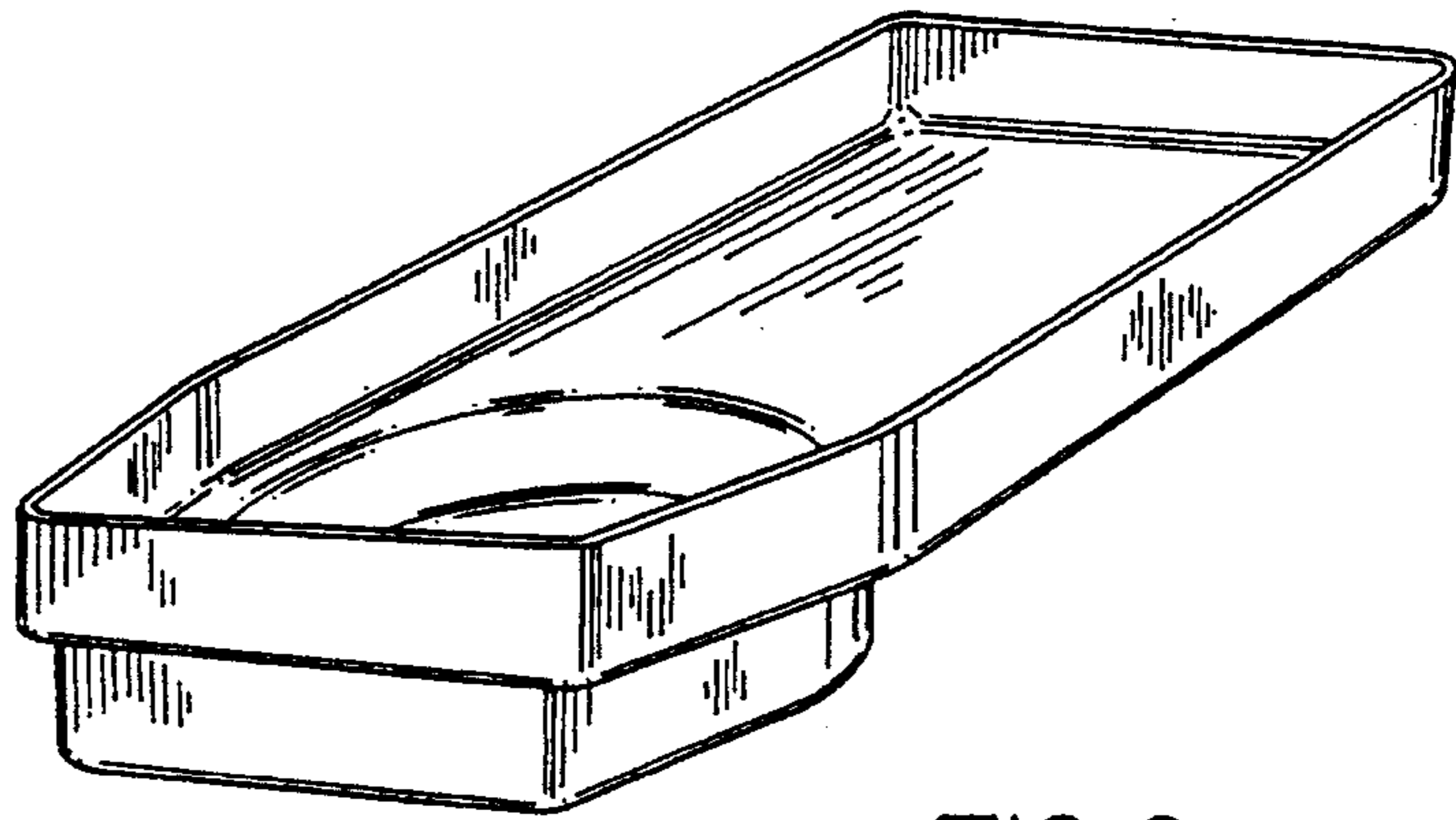


FIG. 8

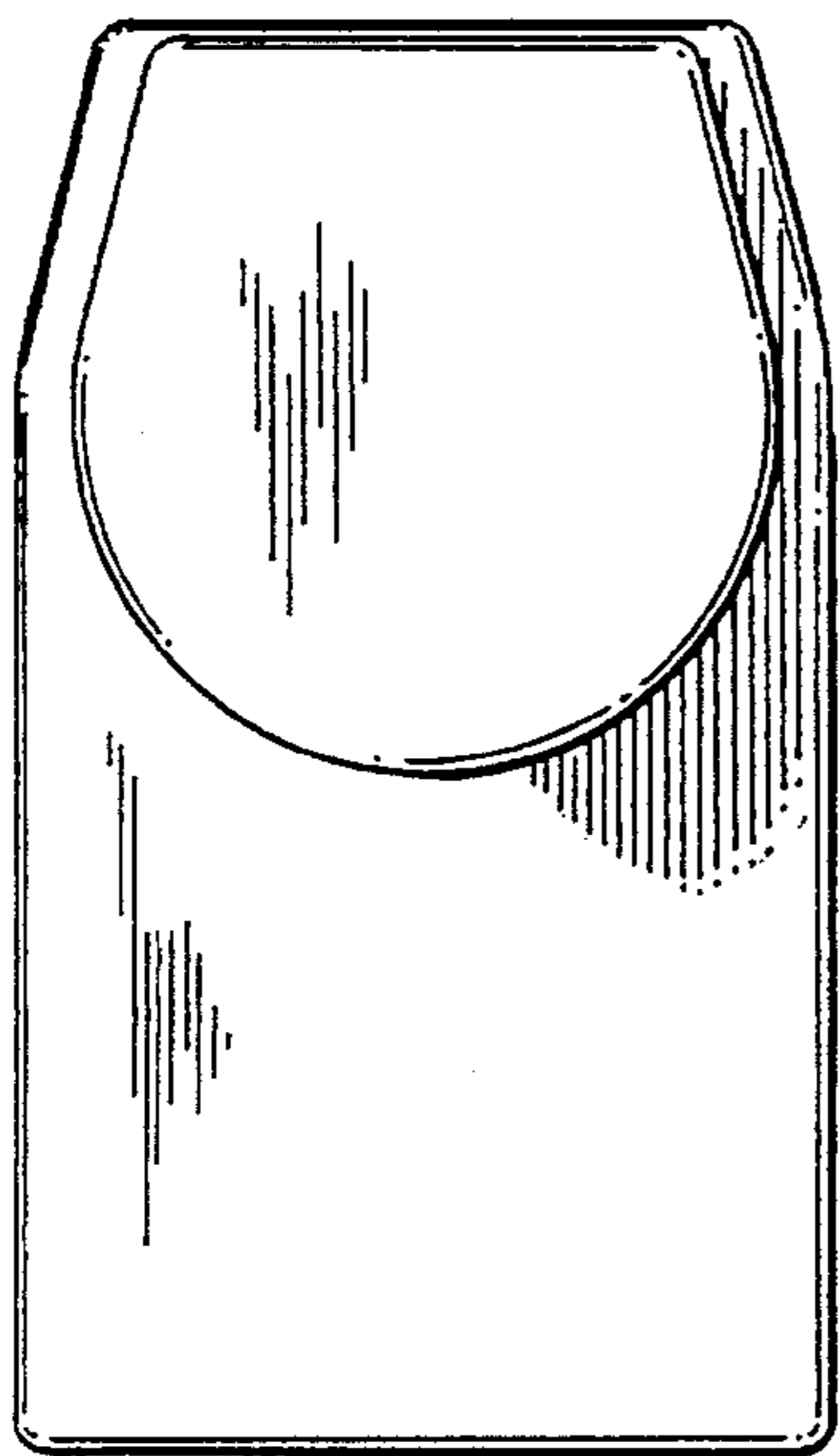


FIG. 9

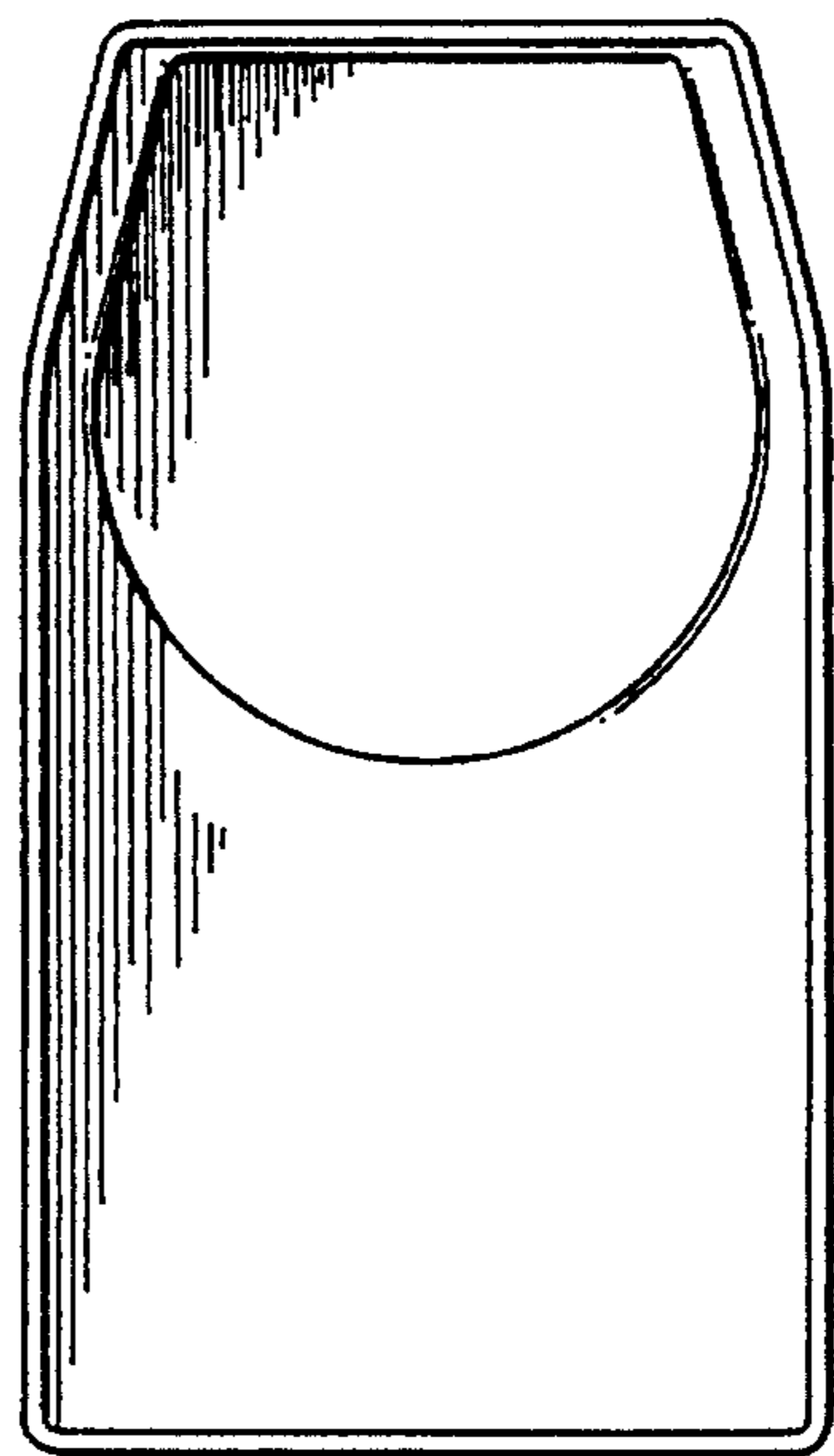


FIG. 10

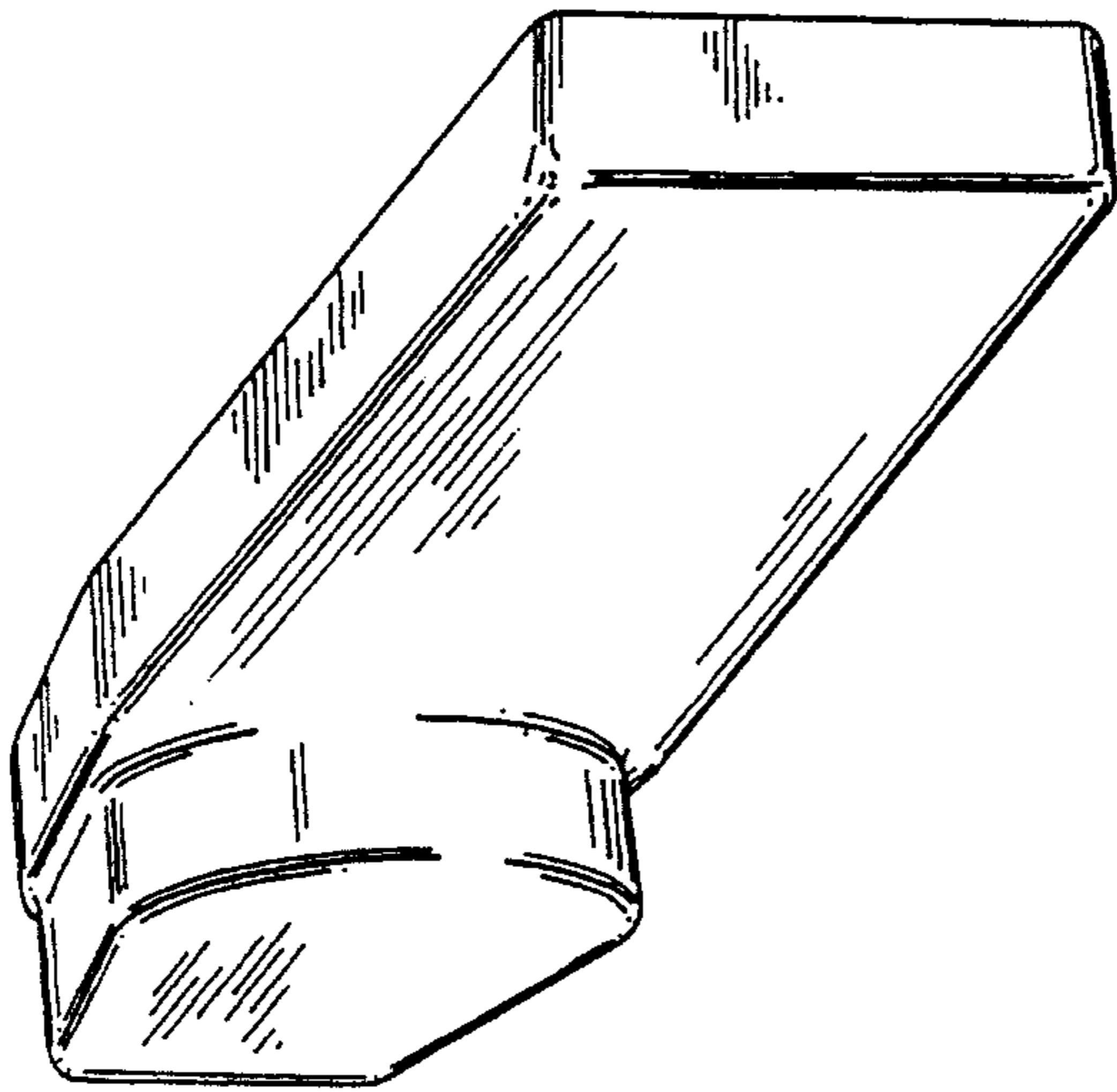


FIG. 11

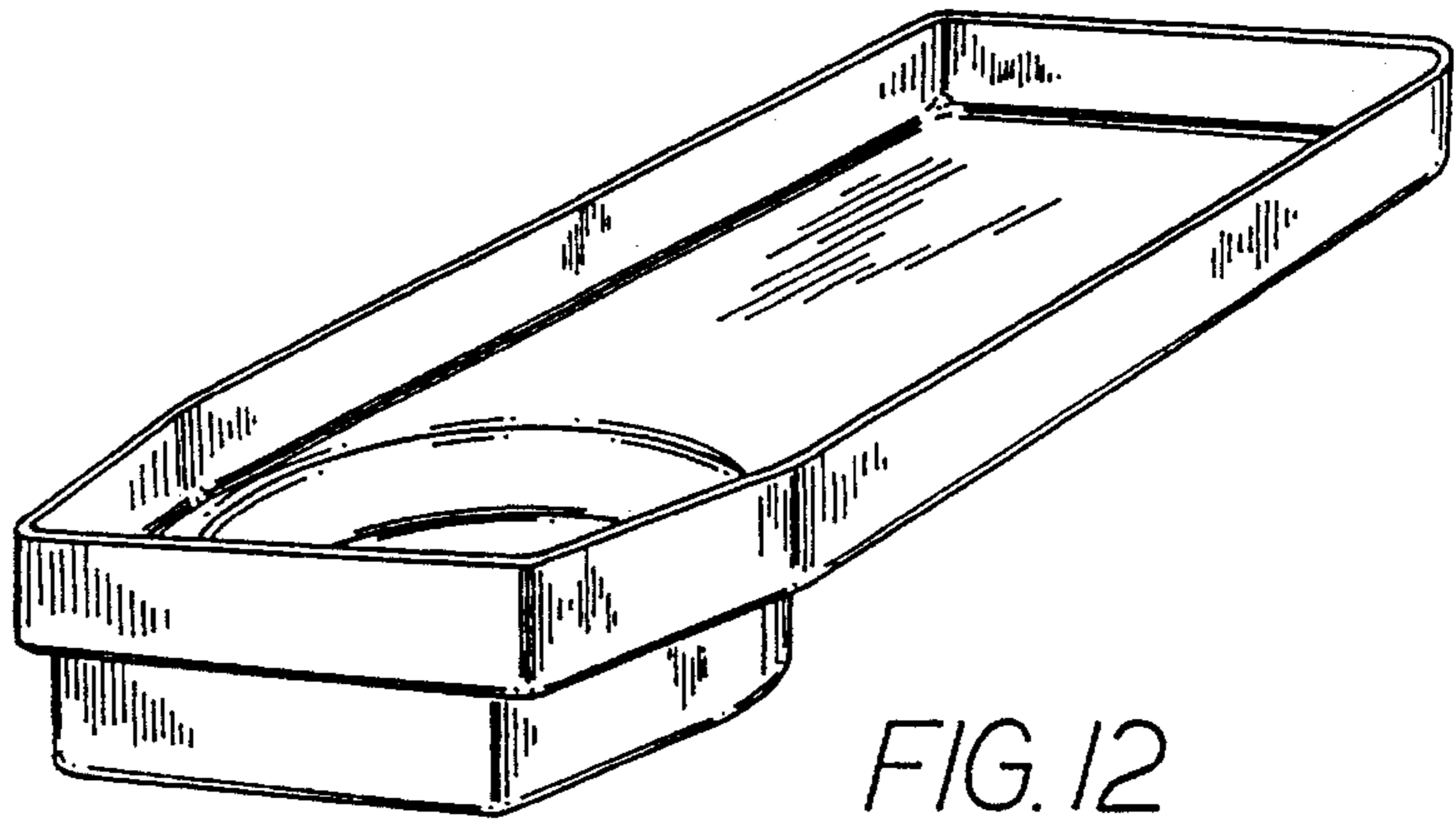


FIG. 12

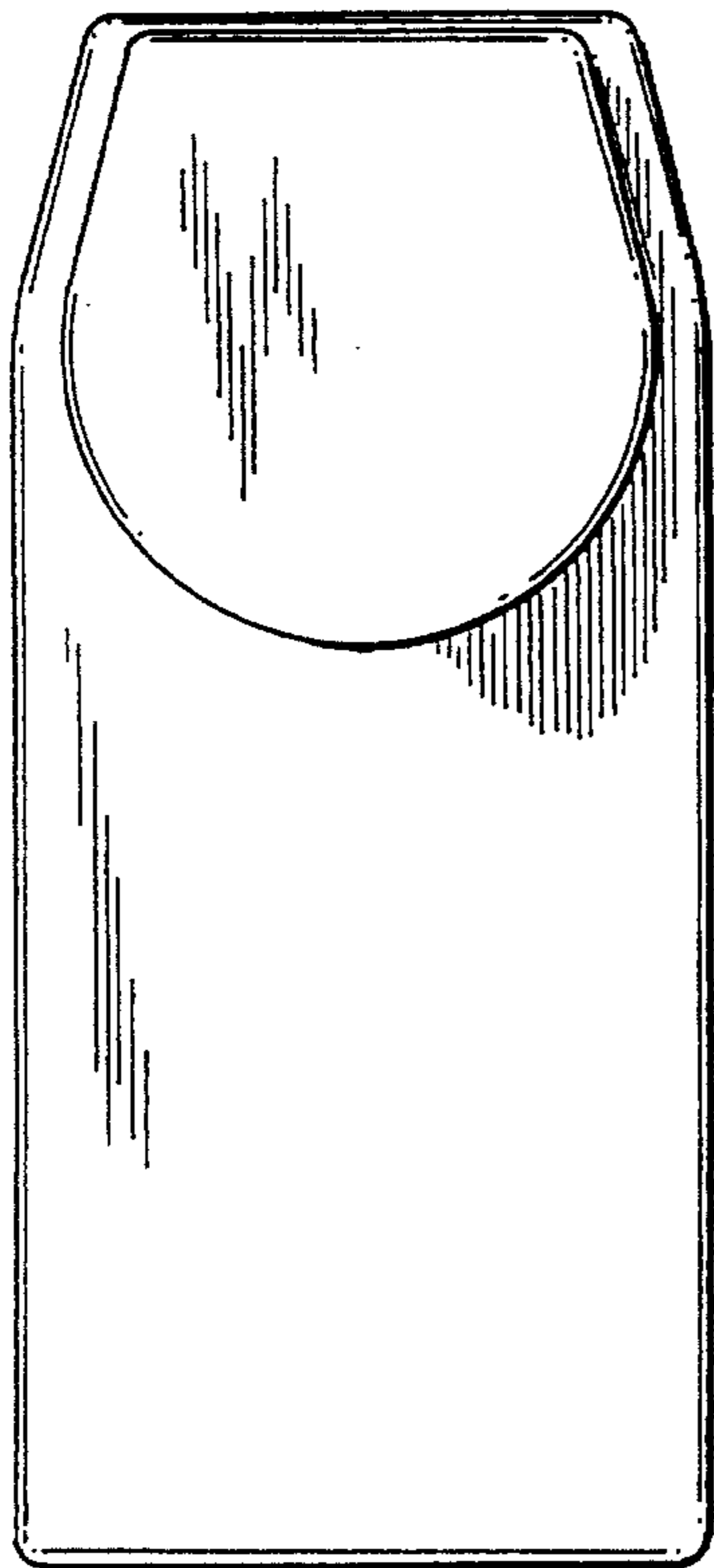


FIG. 13

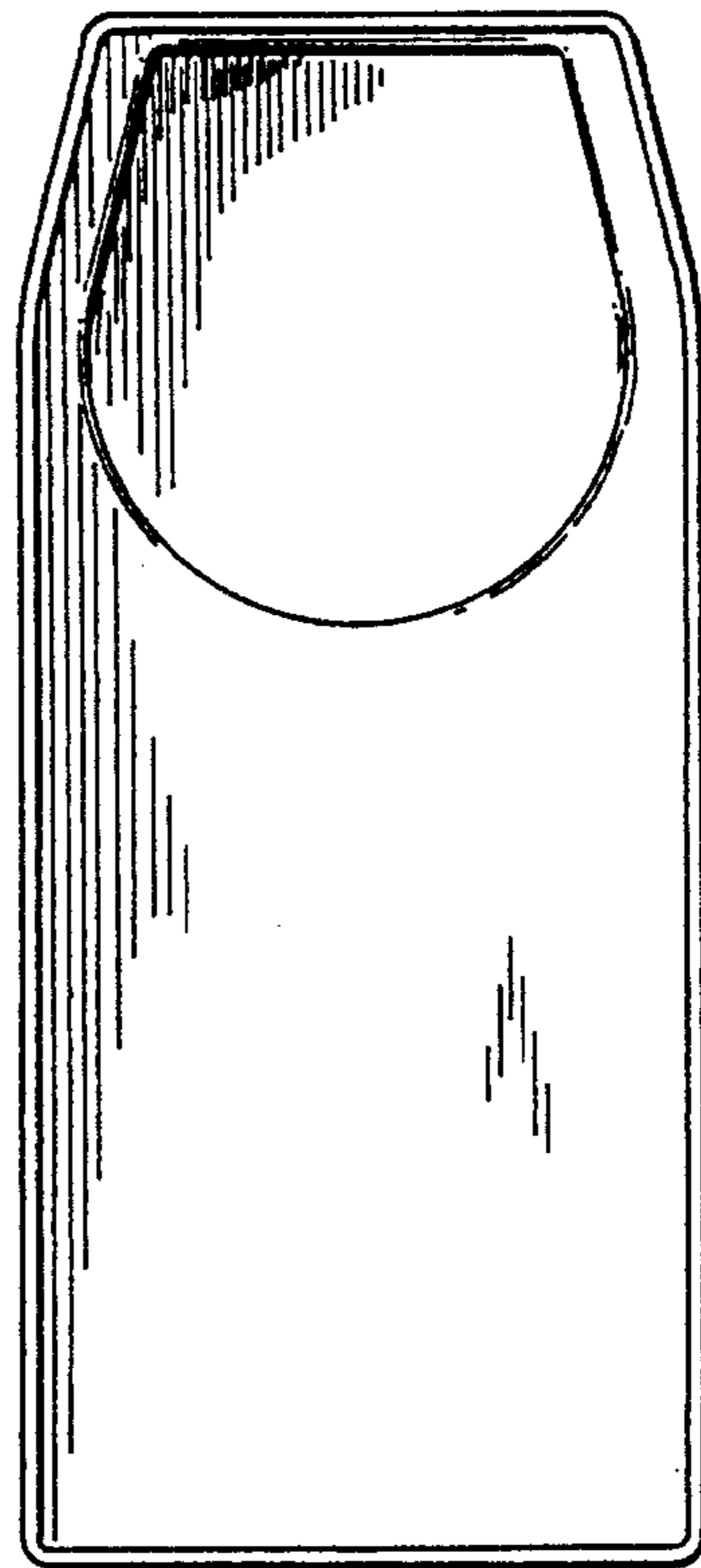


FIG. 14