



US00D376011S

United States Patent [19]

Nunokawa

[11] **Patent Number: Des. 376,011**

[45] **Date of Patent: **Nov. 26, 1996**

[54] **SYNTHETIC VASCULAR PROSTHESIS**

[76] Inventor: **Mioko Nunokawa**, 35-5-203, Tomigaya
1-chome, Shibuya-ku, Tokyo-to, Japan

[**] Term: **14 Years**

[21] Appl. No.: **38,019**

[22] Filed: **Apr. 26, 1995**

[30] **Foreign Application Priority Data**

Oct. 27, 1994 [JP] Japan 6-32796
 [52] U.S. Cl. **D24/155**
 [58] Field of Search D24/155; 623/1,
 623/11, 12

[56] **References Cited**

U.S. PATENT DOCUMENTS

4,047,252	9/1977	Liebig et al.	623/1
4,321,711	3/1982	Mano	623/1
5,336,256	8/1994	Urry	623/1
5,354,329	10/1994	Whalen	623/1

Primary Examiner—Stella Reid

Attorney, Agent, or Firm—Cushman Darby & Cushman, L.L.P.

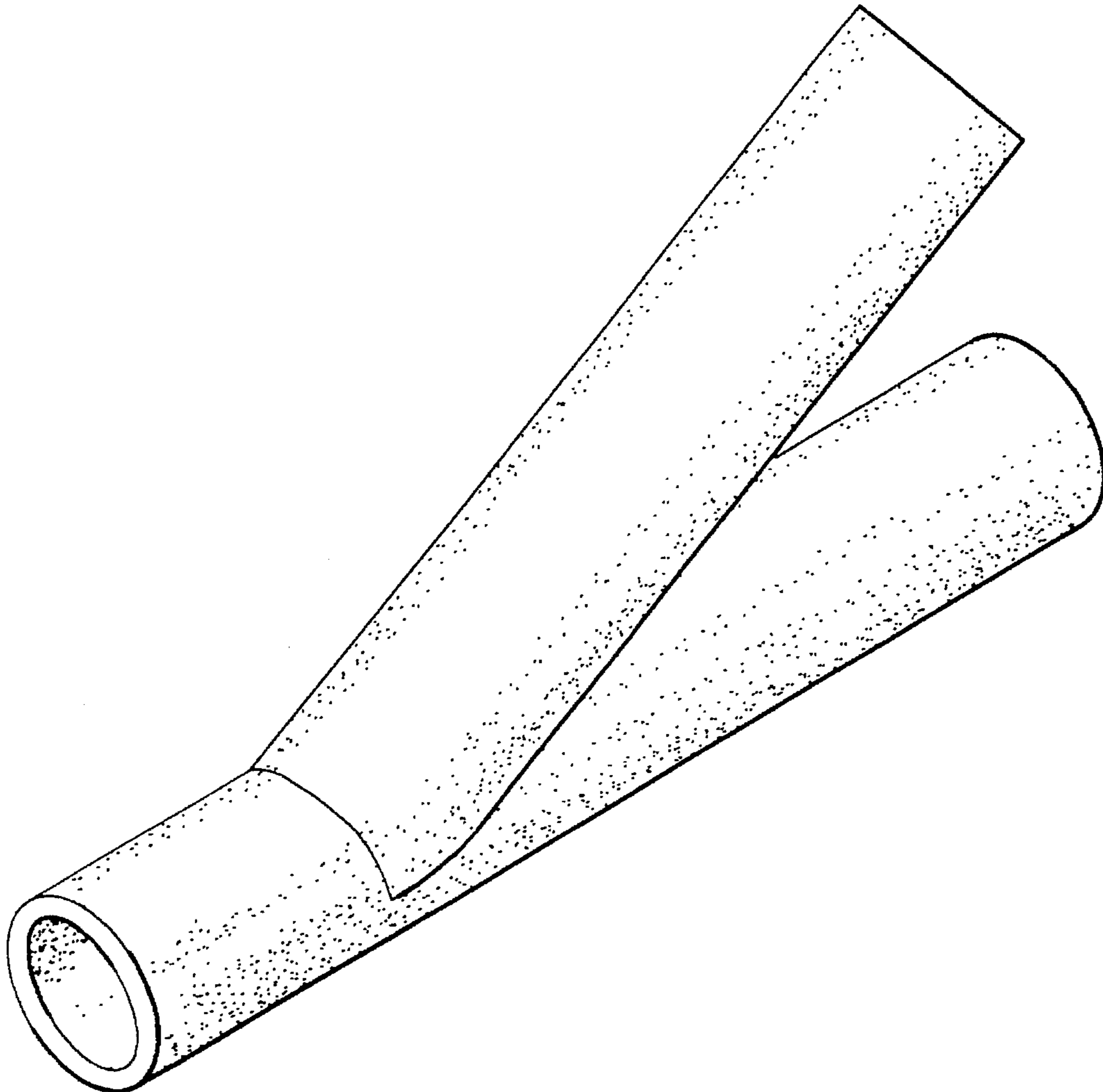
[57] **CLAIM**

The ornamental design for a synthetic vascular prosthesis, as shown and described.

DESCRIPTION

FIG. 1 is a perspective view of a synthetic vascular prosthesis showing my new design;
 FIG. 2 is a front elevation view thereof, the opposite side being substantially a mirror image of that shown;
 FIG. 3 is a top plan view thereof;
 FIG. 4 is a left side elevation view thereof;
 FIG. 5 is a right side elevation view thereof;
 FIG. 6 is a bottom view thereof;
 FIG. 7 is a cross-sectional view taken along line 7—7 in FIG. 2;
 FIG. 8 is a cross-sectional view taken along line 8—8 in FIG. 2; and,
 FIG. 9 is a cross-sectional view taken along line 9—9 in FIG. 2.

1 Claim, 9 Drawing Sheets



F I G . 1

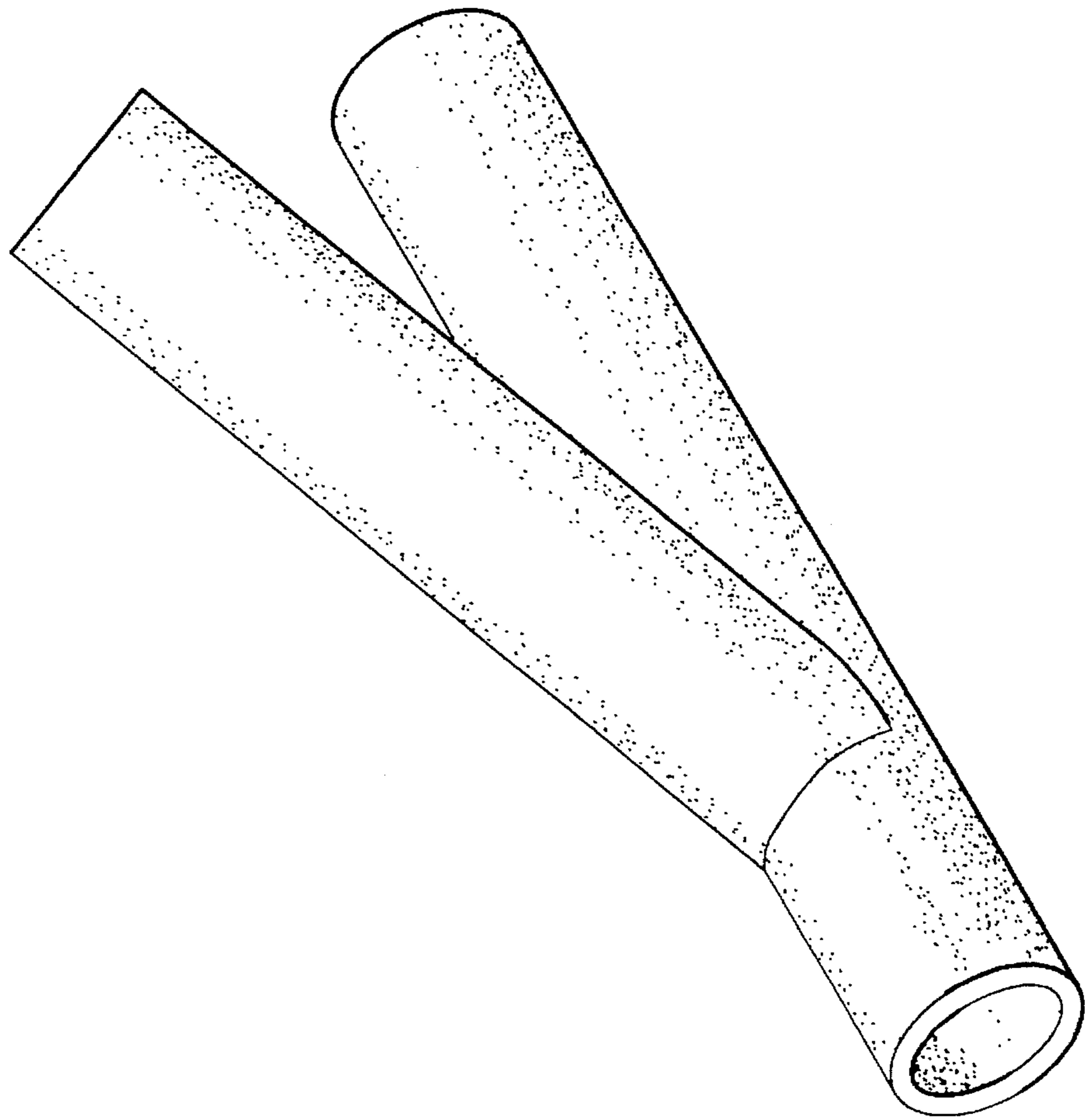


FIG. 2

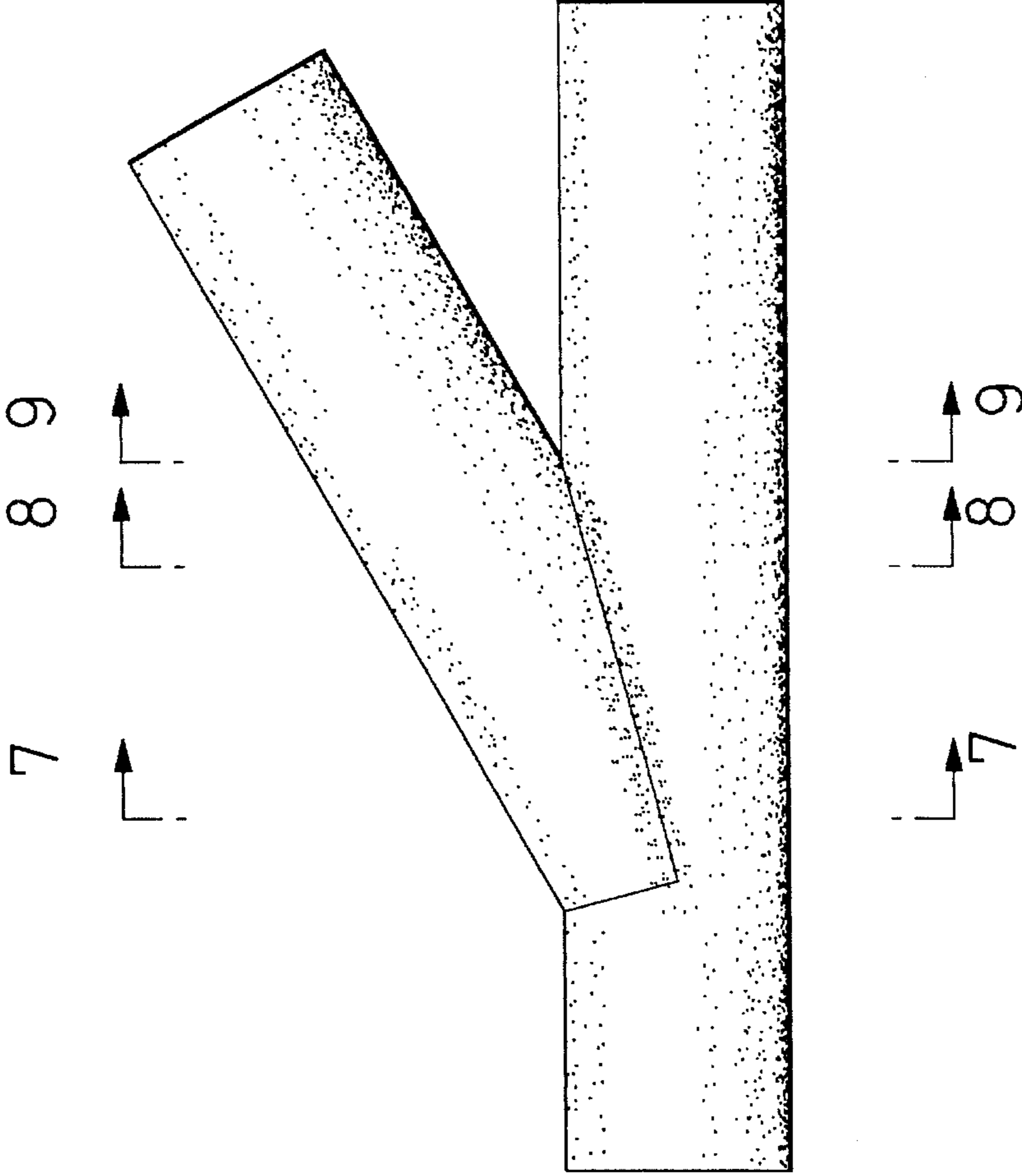


FIG. 3



FIG. 4

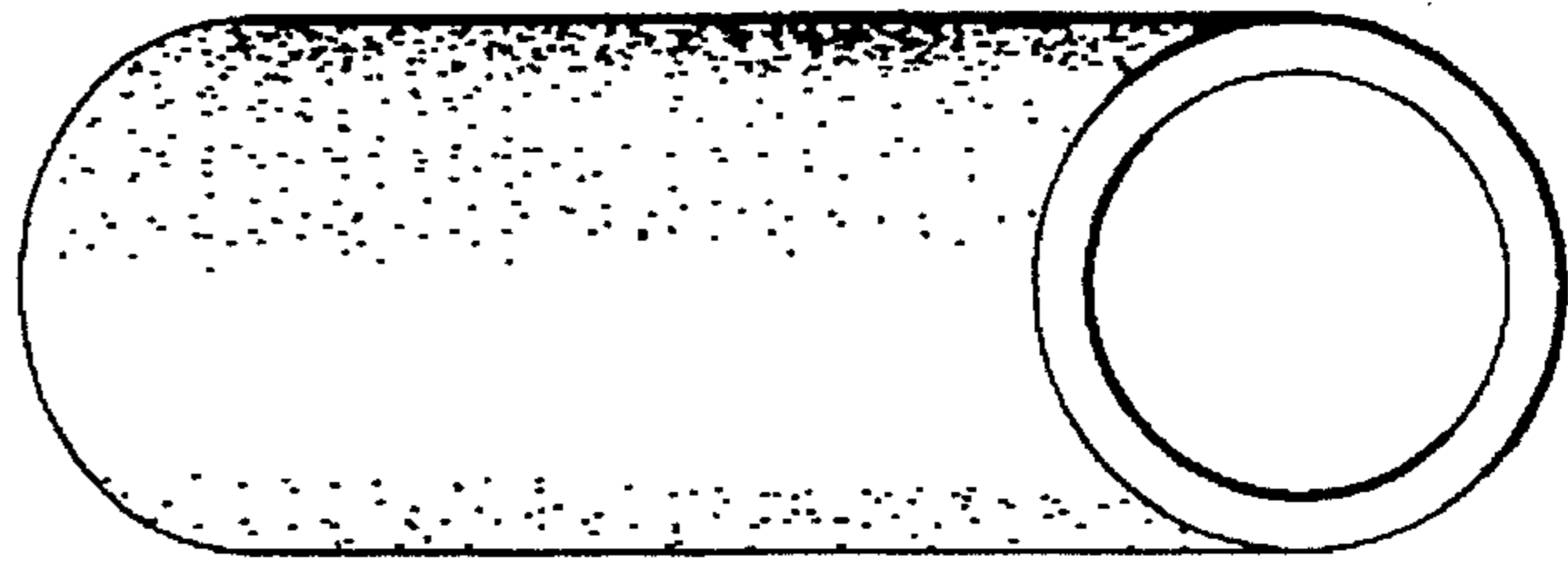


FIG. 5

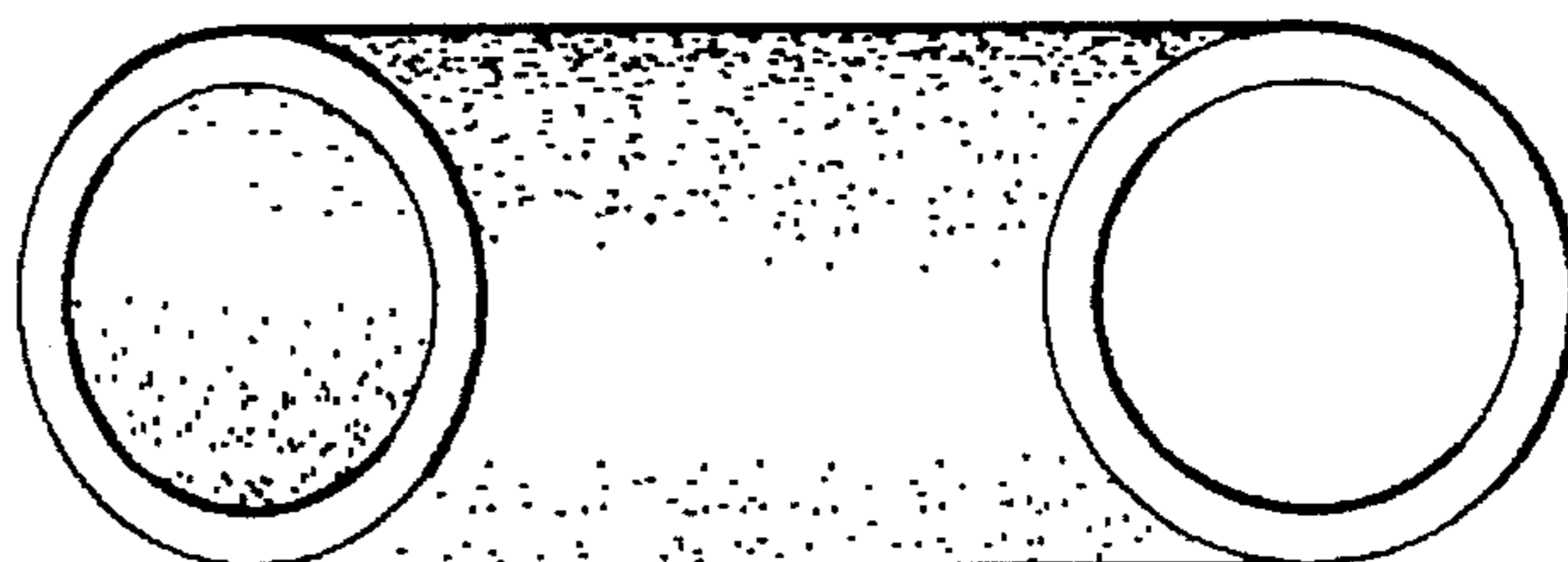


FIG. 6

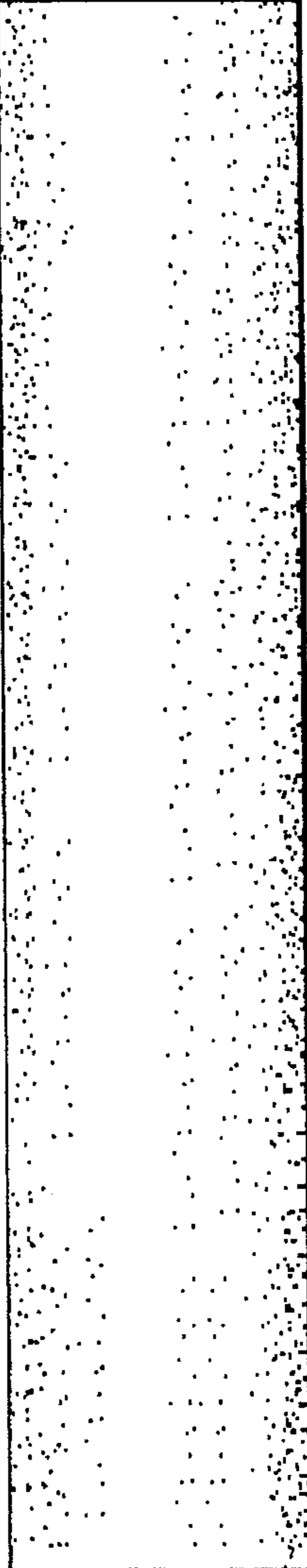


FIG. 7

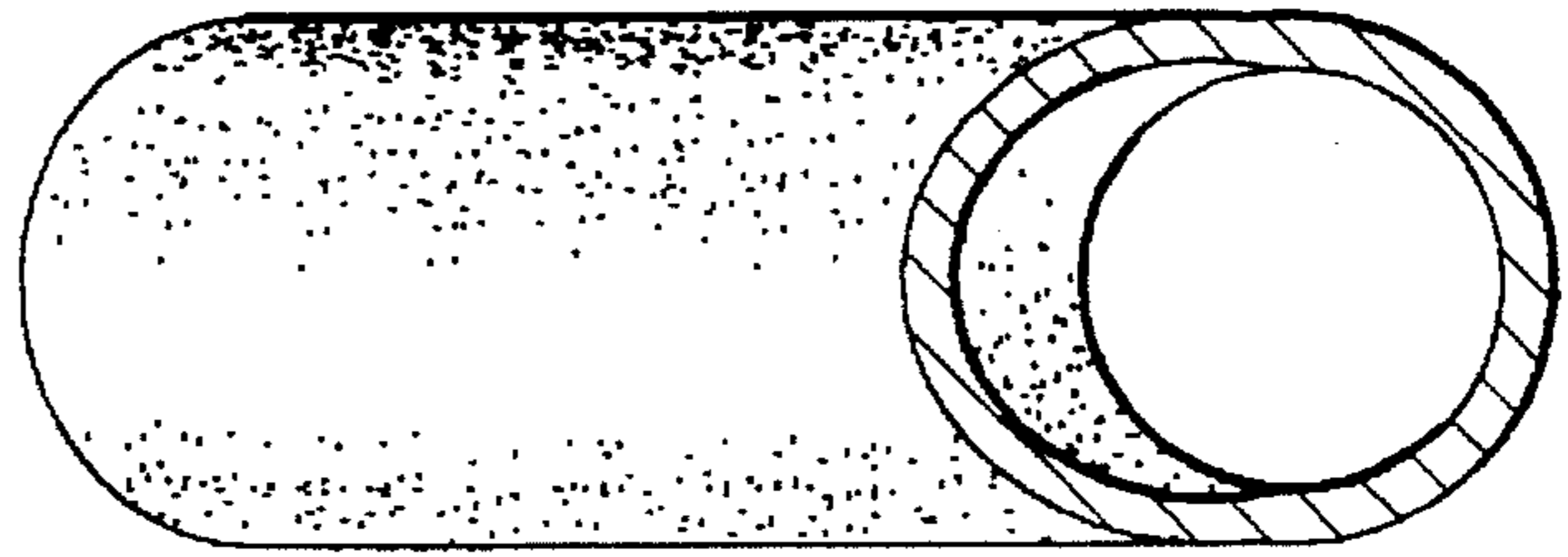


FIG. 8

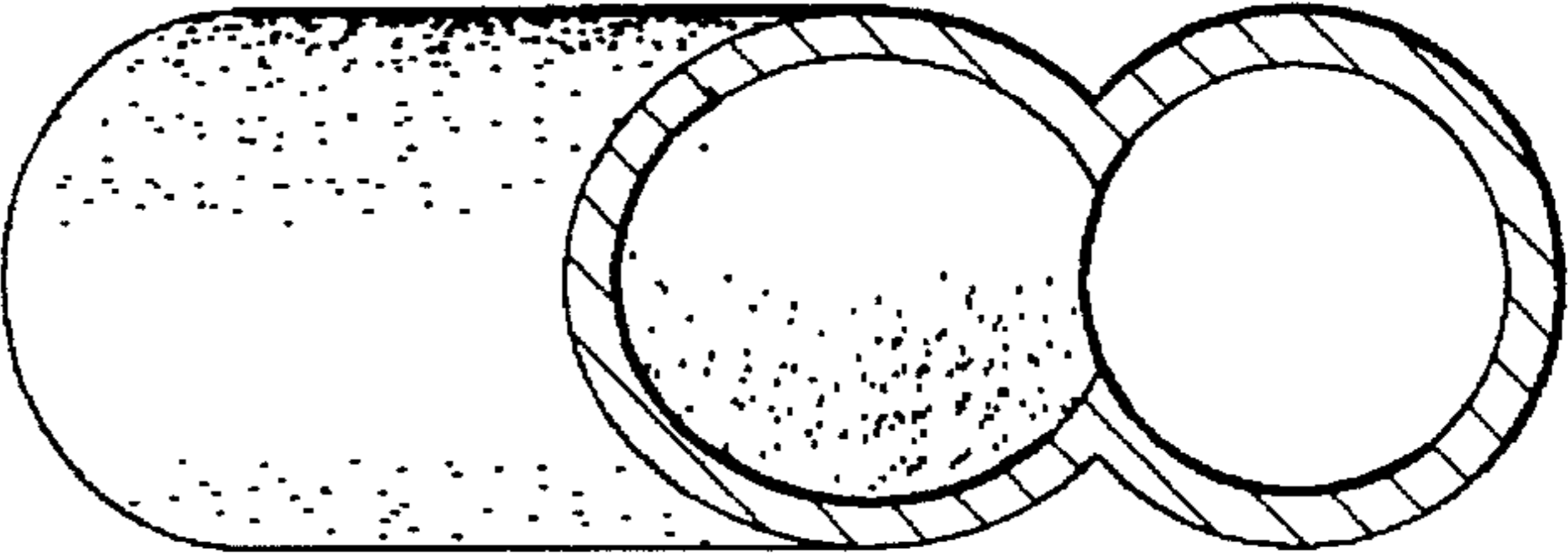


FIG. 9

