



US00D376004S

# United States Patent [19]

[11] Patent Number: **Des. 376,004**

Tsuji

[45] Date of Patent: **\*\*Nov. 26, 1996**

[54] **COMBINED CEILING FAN AND LIGHT KIT**

[75] Inventor: **Masao Tsuji**, Germantown, Tenn.

[73] Assignee: **Hunter Fan Company**, Memphis, Tenn.

[\*\*] Term: **14 Years**

[21] Appl. No.: **45,503**

[22] Filed: **Oct. 23, 1995**

[52] U.S. Cl. .... **D23/377; D23/379; D23/385; D26/80**

[58] **Field of Search** ..... **D23/377, 379, D23/385, 411, 413; D26/80-86, 88, 59, 72, 51; 416/5; 362/96; 392/364**

[56] **References Cited**

**U.S. PATENT DOCUMENTS**

D. 360,940 8/1995 Collmar ..... D23/379

**OTHER PUBLICATIONS**

Hunter Fan Co. Williamsburg Collection Cat., ©1987, p. 3, Ceiling Fan (A), upper left side of page.

Winnower World Wide, Inc. Cat. ©1987, p. 10 Ceiling Fan C, bottom of page.

Great 2000 Enterprise Inc. Adr. Flyer, Ceiling Fan (B). Casablanca Fan Co. Adv. Brochure, back cover, light fixture (2), lower left side of page. Homestead Brochure, 1987, pp. 4-7.

*Primary Examiner*—Lisa P. Lichtenstein  
*Attorney, Agent, or Firm*—Baker, Donelson, Bearman & Caldwell

[57] **CLAIM**

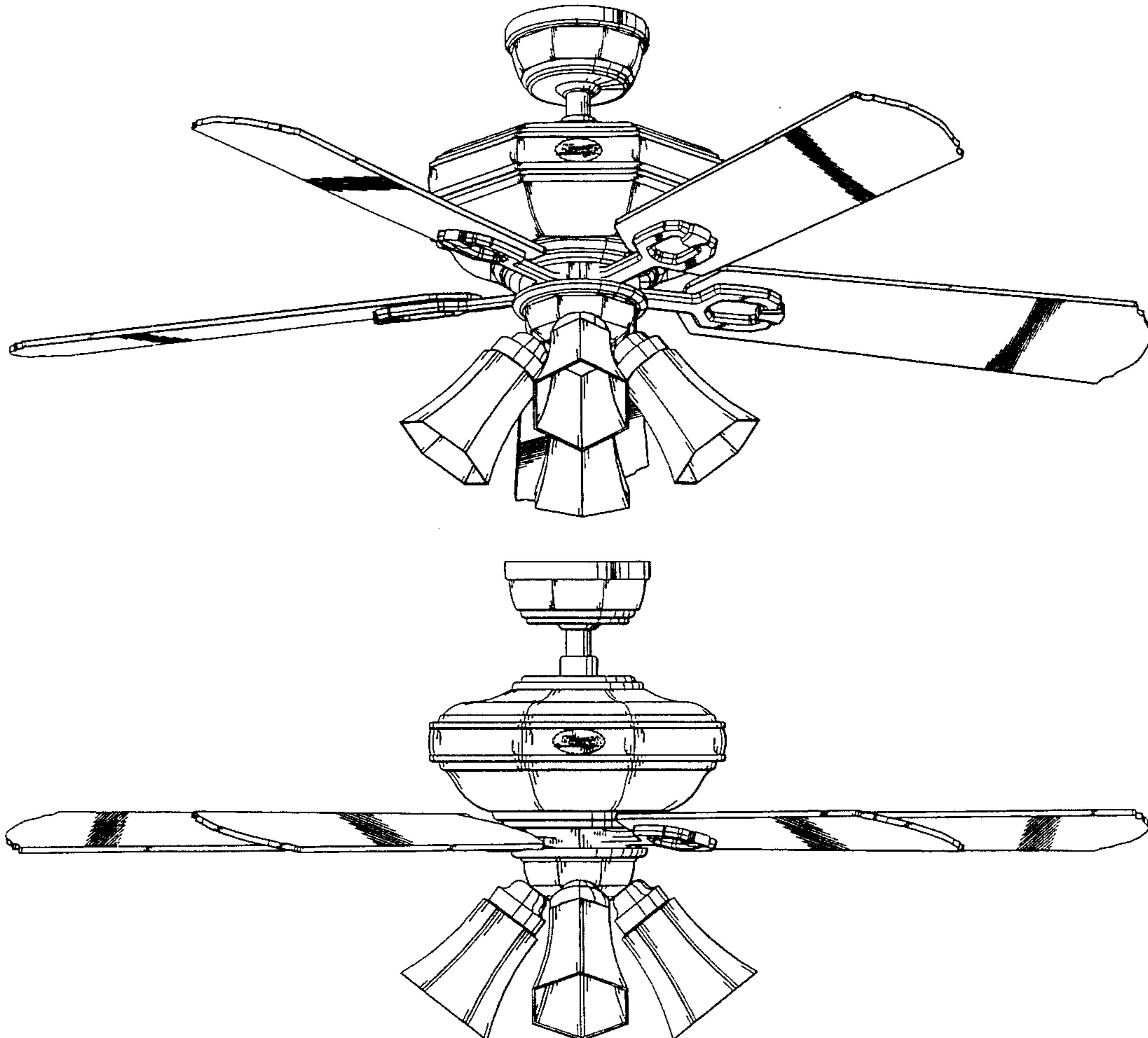
The ornamental design for a combined ceiling fan and light kit, as shown and described.

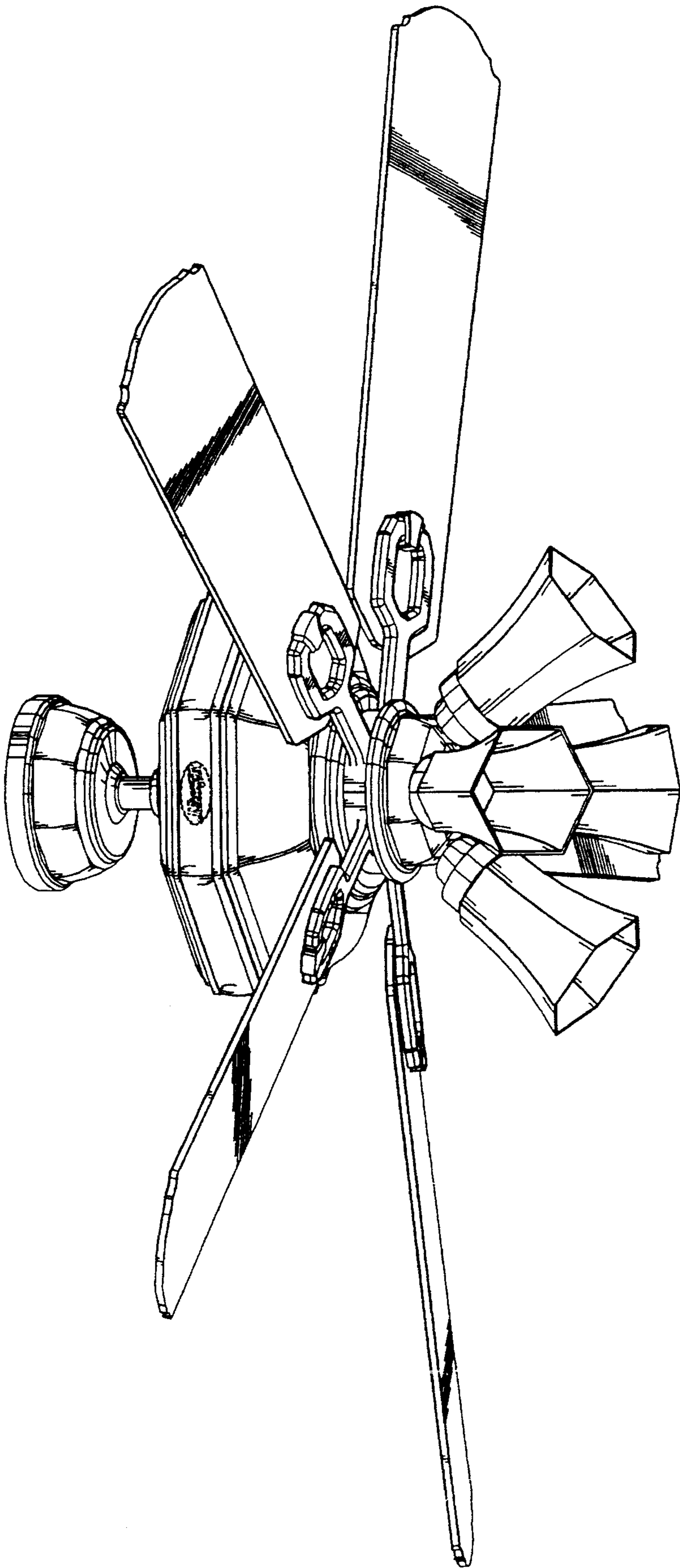
**DESCRIPTION**

FIG. 1 is a side, bottom perspective view of a combined ceiling fan and light kit showing my new design; FIG. 2 is a front elevational view thereof; FIG. 3 is a left-side elevational view thereof; FIG. 4 is a rear elevational view thereof; FIG. 5 is right-side elevational thereof; FIG. 6 is a bottom plan view thereof; and, FIG. 7 is a top plan view of the ceiling fan.

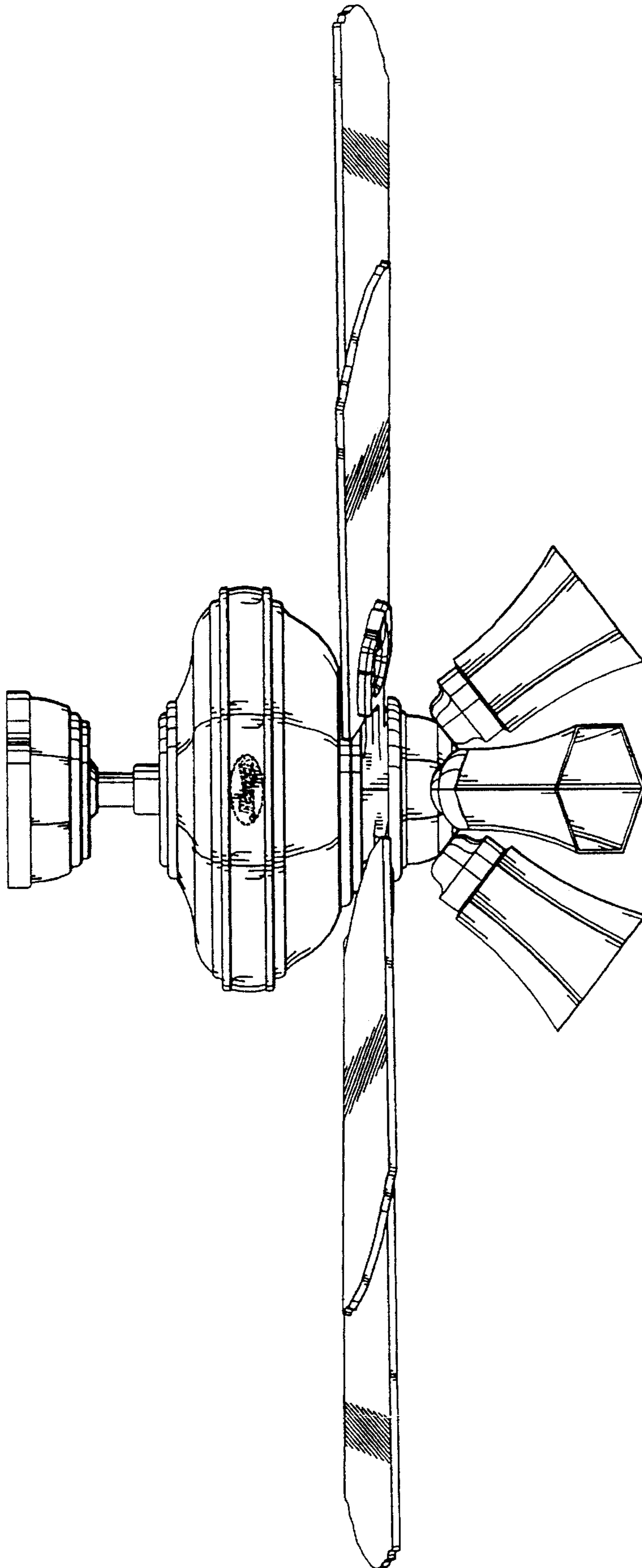
The broken line showing of environmental structure in FIGS. 1 and 2 is for illustrative purposes only and forms no part of the claimed design.

**1 Claim, 7 Drawing Sheets**

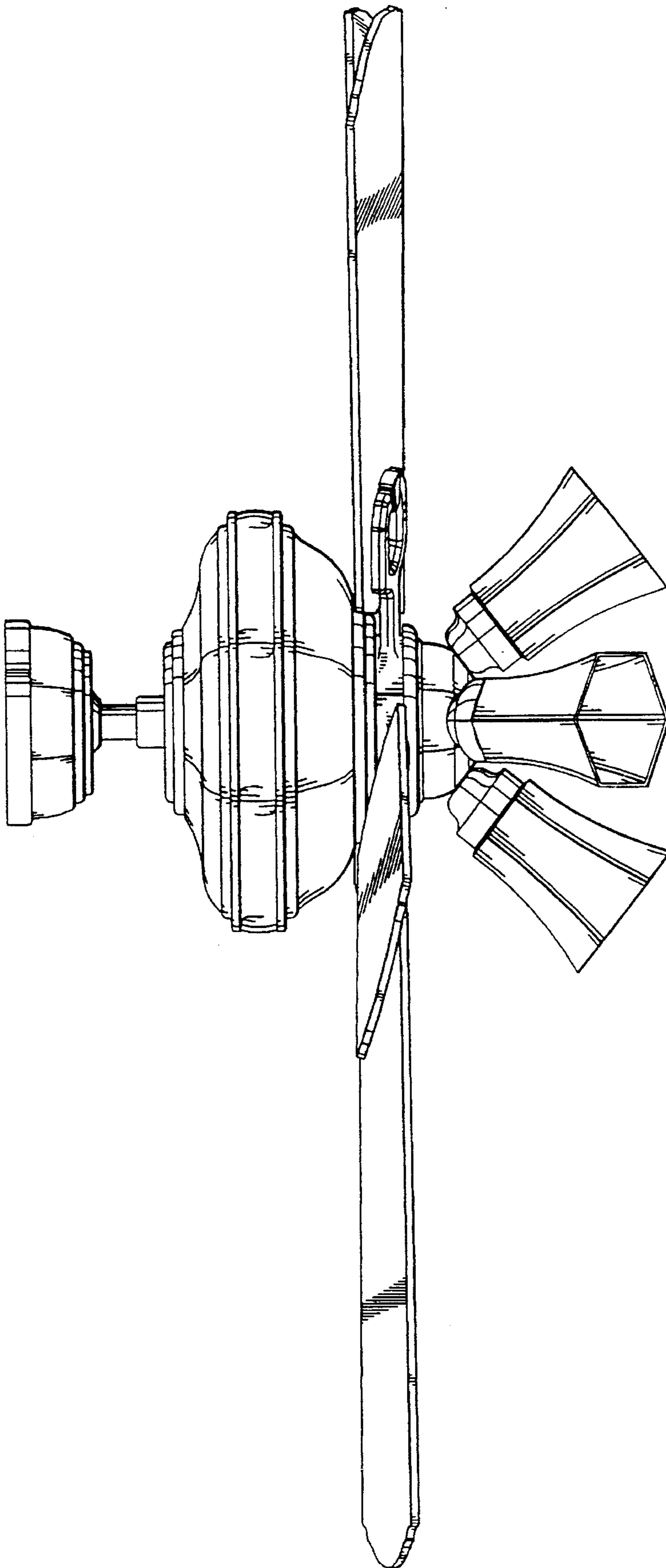




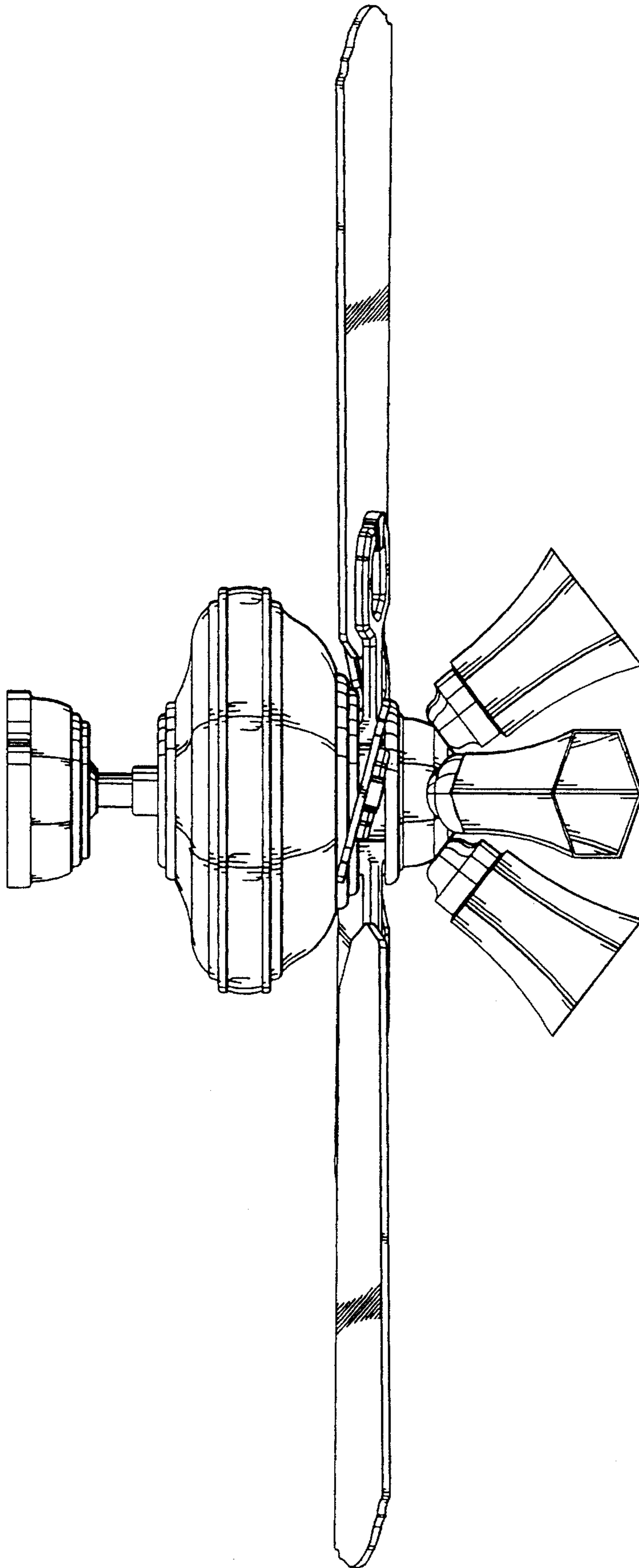
**FIG 1**



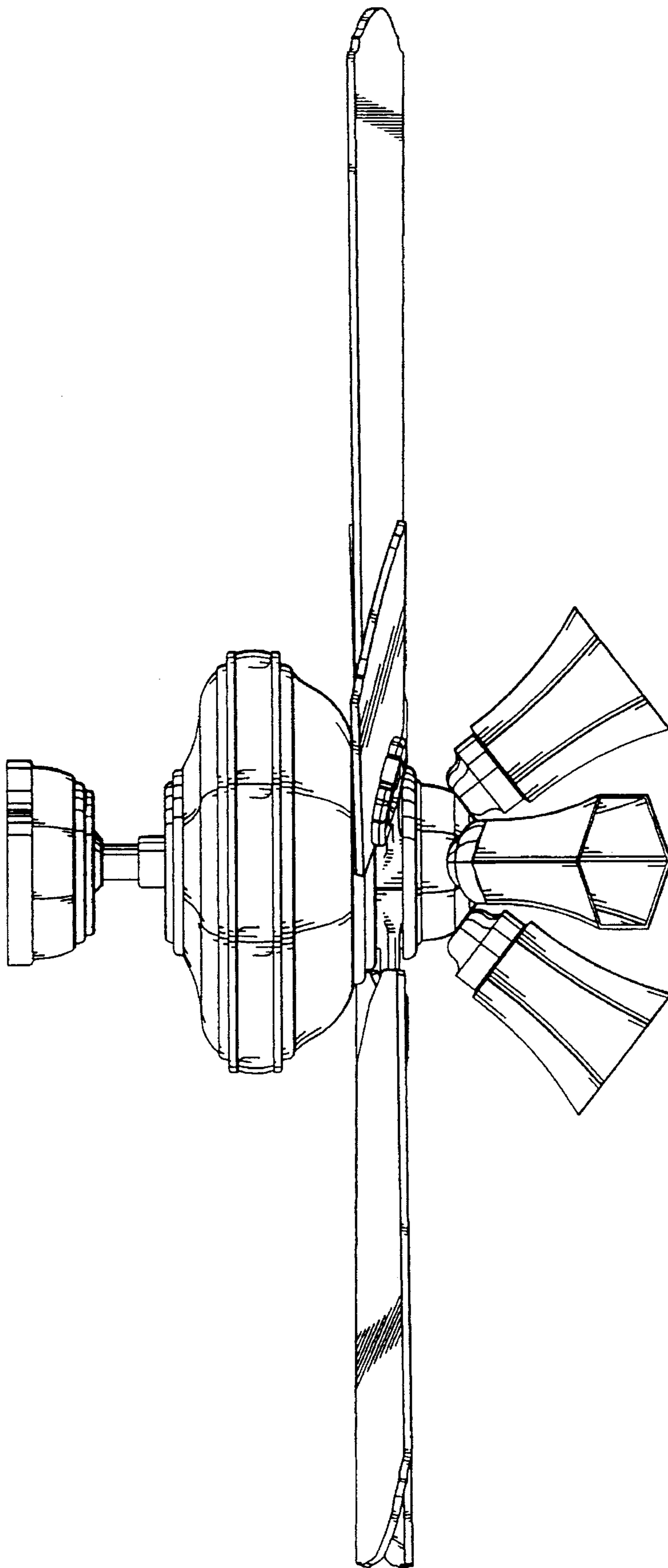
**FIG 2**



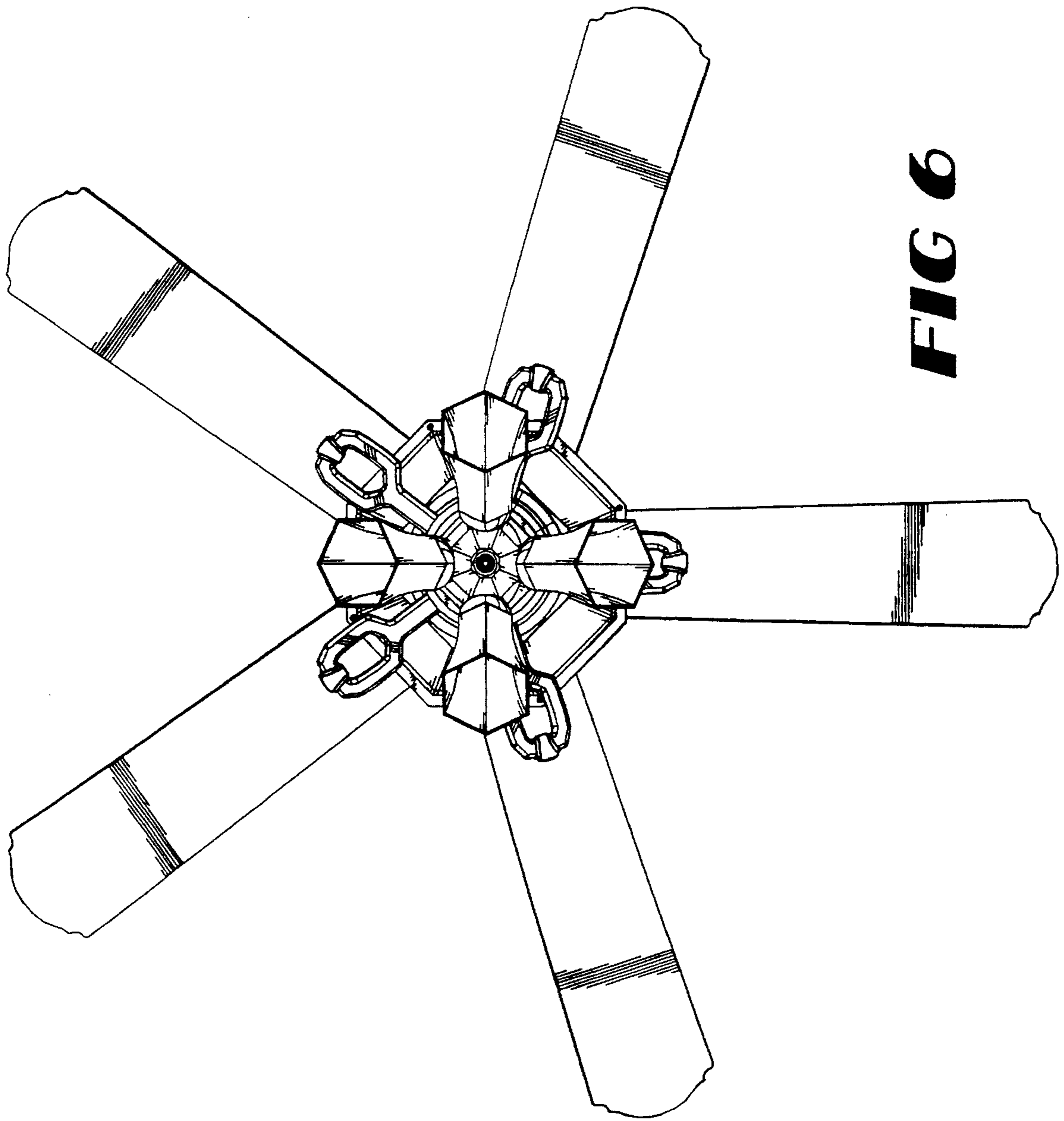
**FIG 3**



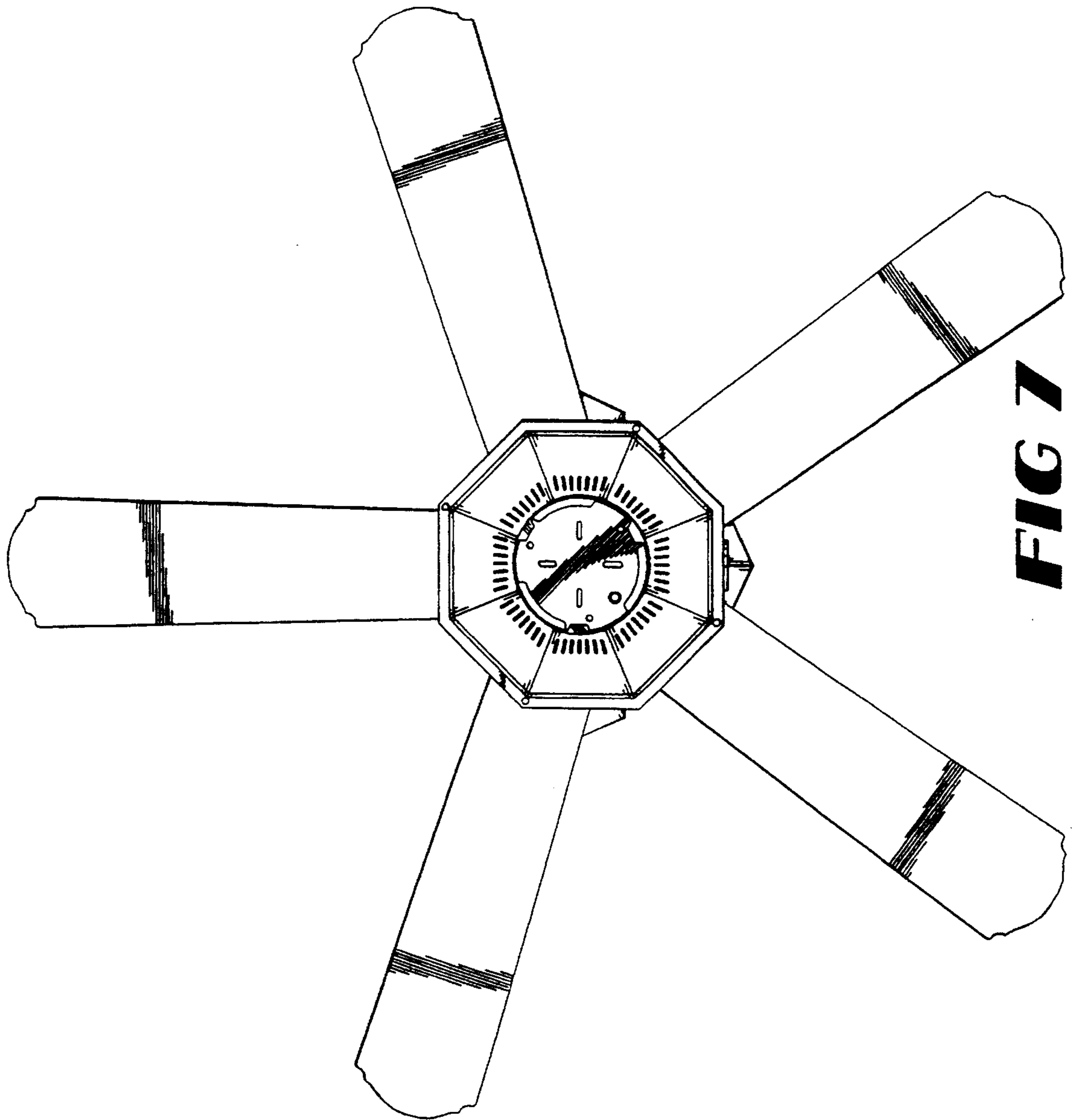
**FIG 4**



**FIG 5**



**FIG 6**



**FIG 7**