



US00D375999S

United States Patent [19]

[11] **Patent Number: Des. 375,999**

Wing

[45] **Date of Patent: **Nov. 26, 1996**

[54] **AIR VALVE**

[75] **Inventor: Tony N. T. Wing, Chai Wan, Hong Kong**

[73] **Assignee: Veny Plastic Co., Ltd., Hong Kong, Hong Kong**

[**] **Term: 14 Years**

[21] **Appl. No.: 42,958**

[22] **Filed: Aug. 21, 1995**

[52] **U.S. Cl. D23/233; D23/245**

[58] **Field of Search D23/233-237, D23/244-249; 137/883, 343, 356, 844, 853; D8/72, 73**

D. 143,302	12/1945	Goddeau	D23/245
D. 228,554	10/1973	Magorien	D23/263
D. 267,625	1/1983	Dark	D8/73
3,337,181	8/1967	Wennerstrom	285/354
4,674,496	6/1987	Svadjian et al.	137/883

Primary Examiner—Stella Reid
Assistant Examiner—Gregory Andoll
Attorney, Agent, or Firm—Blakely Sokoloff Taylor & Zafman

[57] CLAIM

The ornamental design for an air valve, as shown and described.

DESCRIPTION

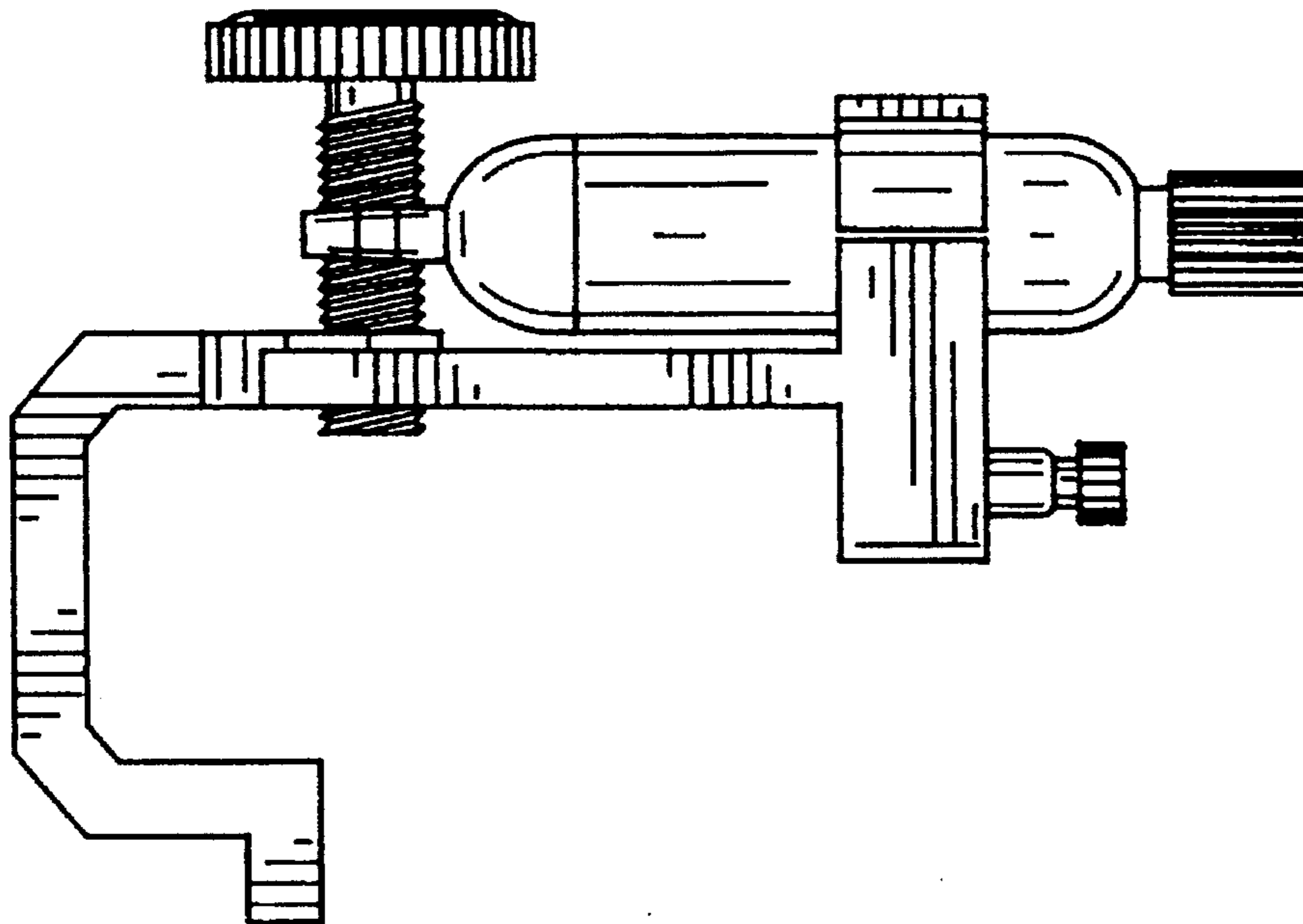
FIG. 1 is a front elevation view thereof;
FIG. 2 is a rear elevation view thereof;
FIG. 3 is a right side perspective view thereof;
FIG. 4 is a left side perspective view thereof;
FIG. 5 is a top plan view thereof; and,
FIG. 6 is a bottom plan view thereof.

[56] References Cited

U.S. PATENT DOCUMENTS

D. 86,452	3/1932	Grandahl	D23/246
D. 105,170	6/1937	Hallum	D23/246
D. 142,703	10/1945	Collins	D23/245

1 Claim, 3 Drawing Sheets



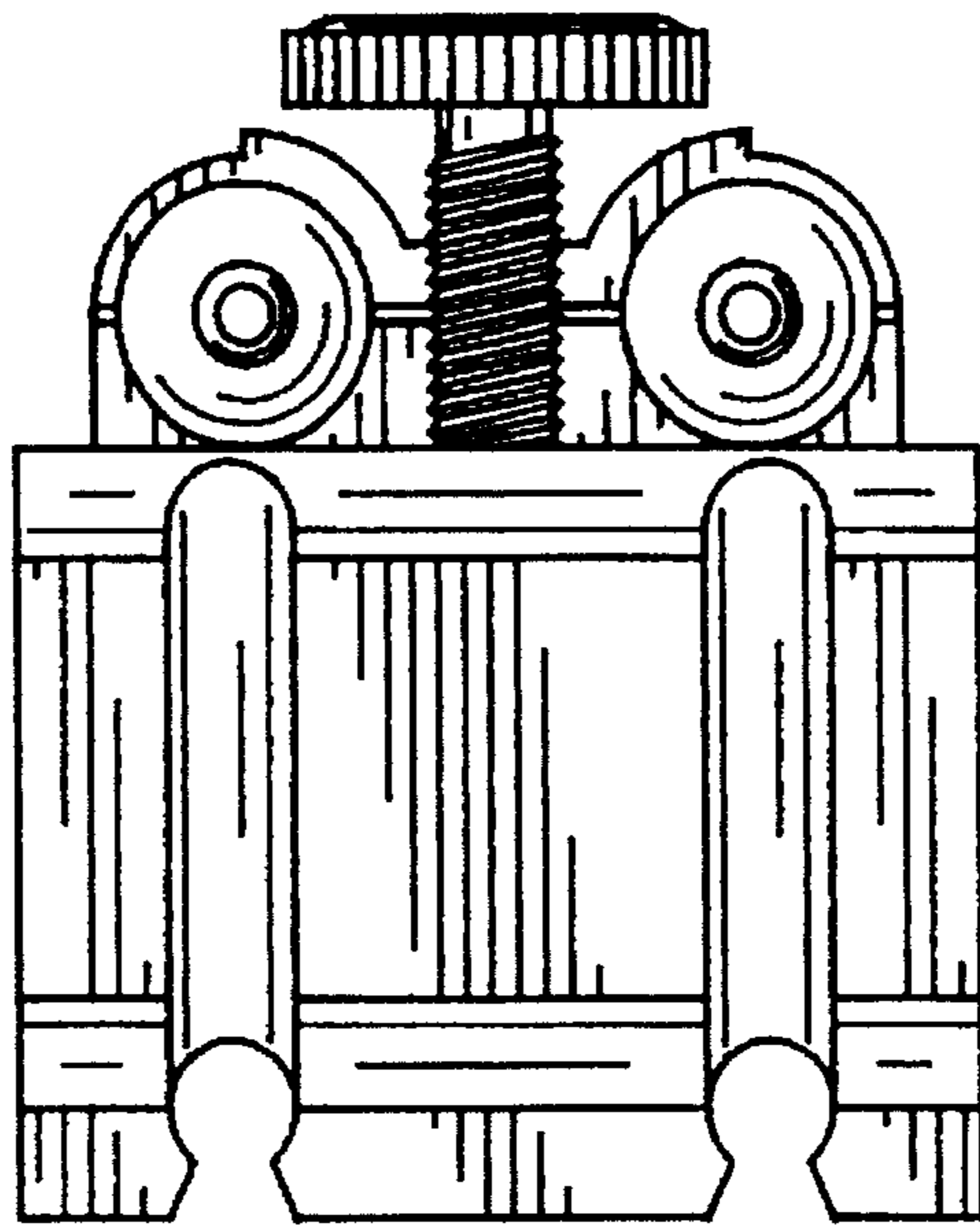


FIG. 1

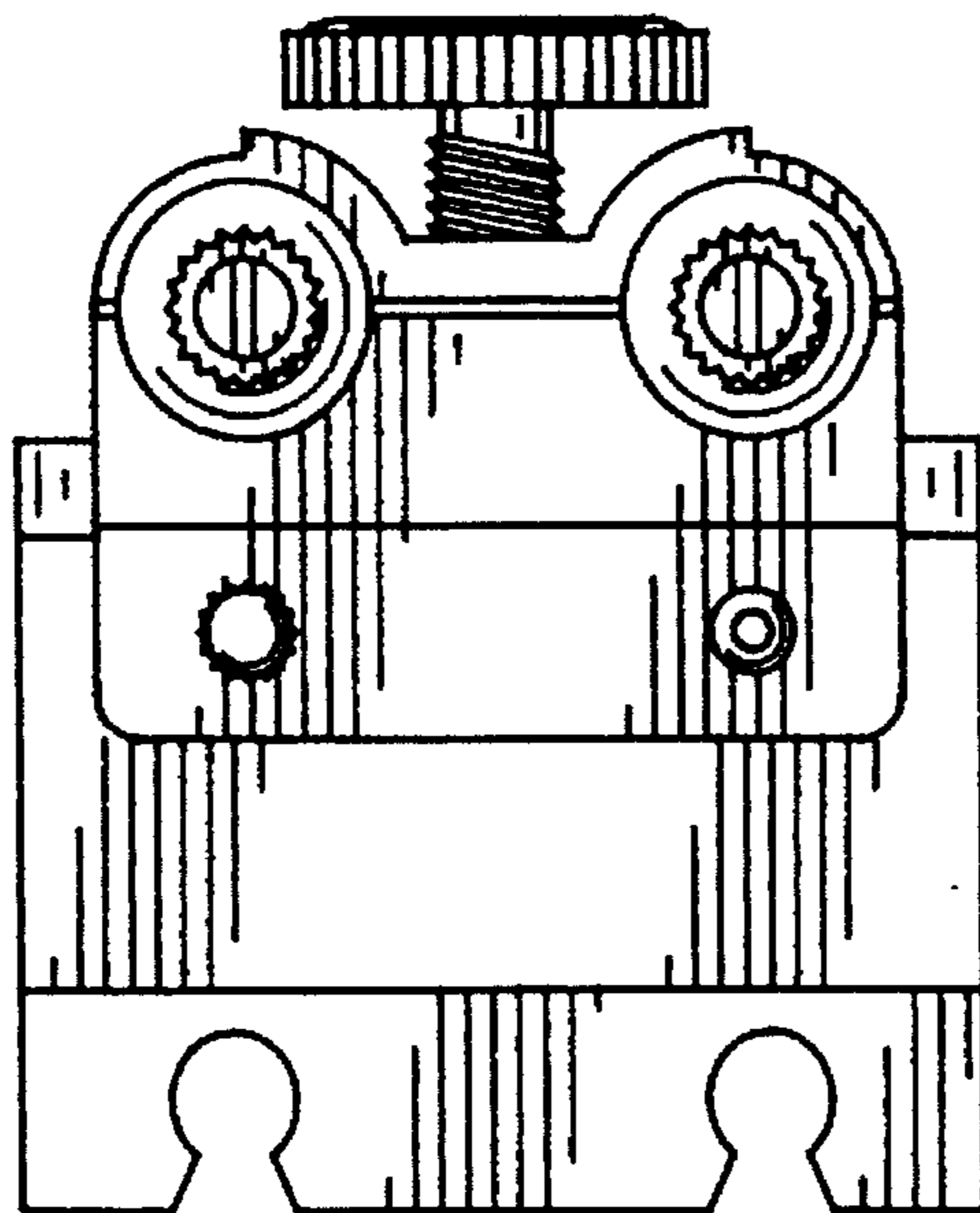


FIG. 2

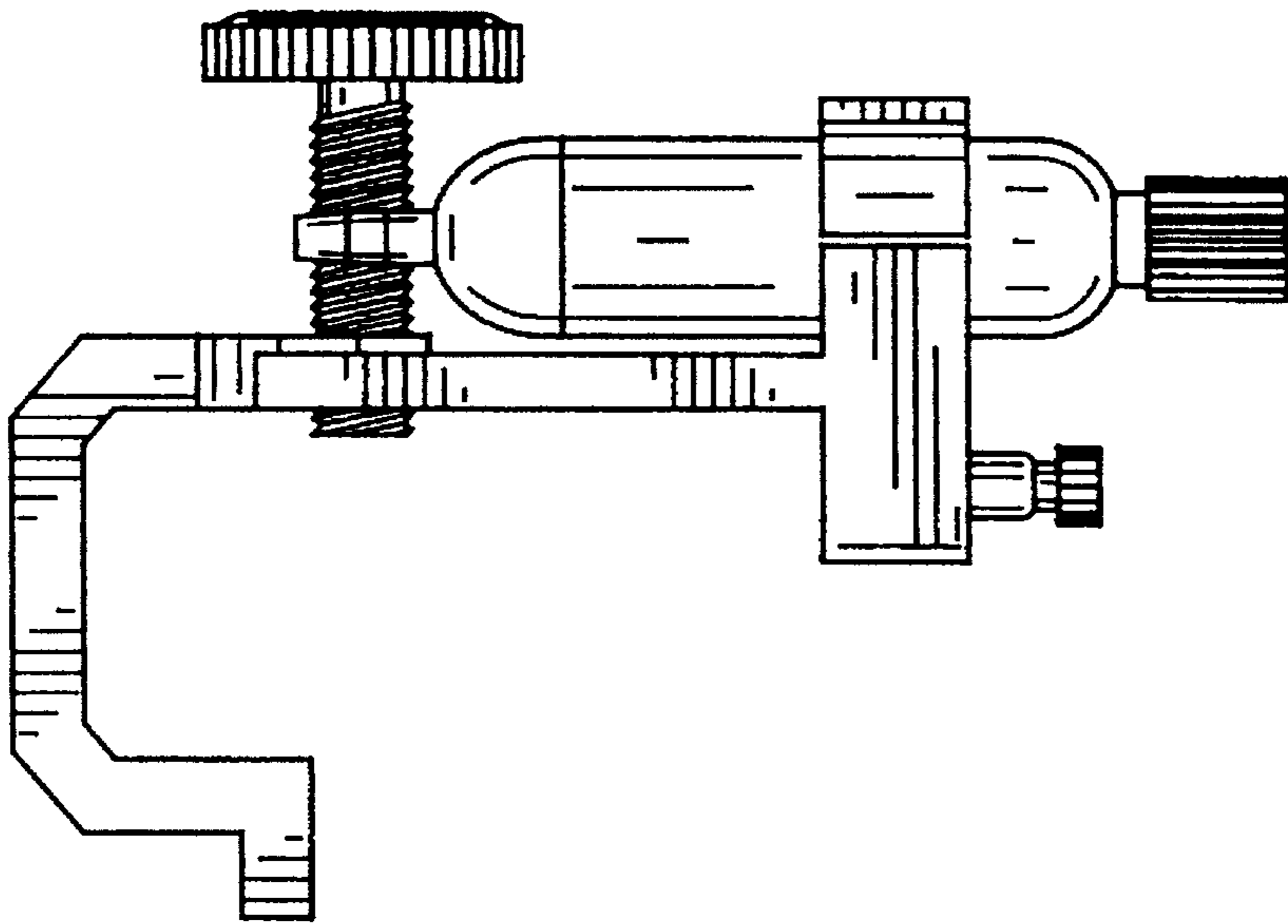


FIG. 3

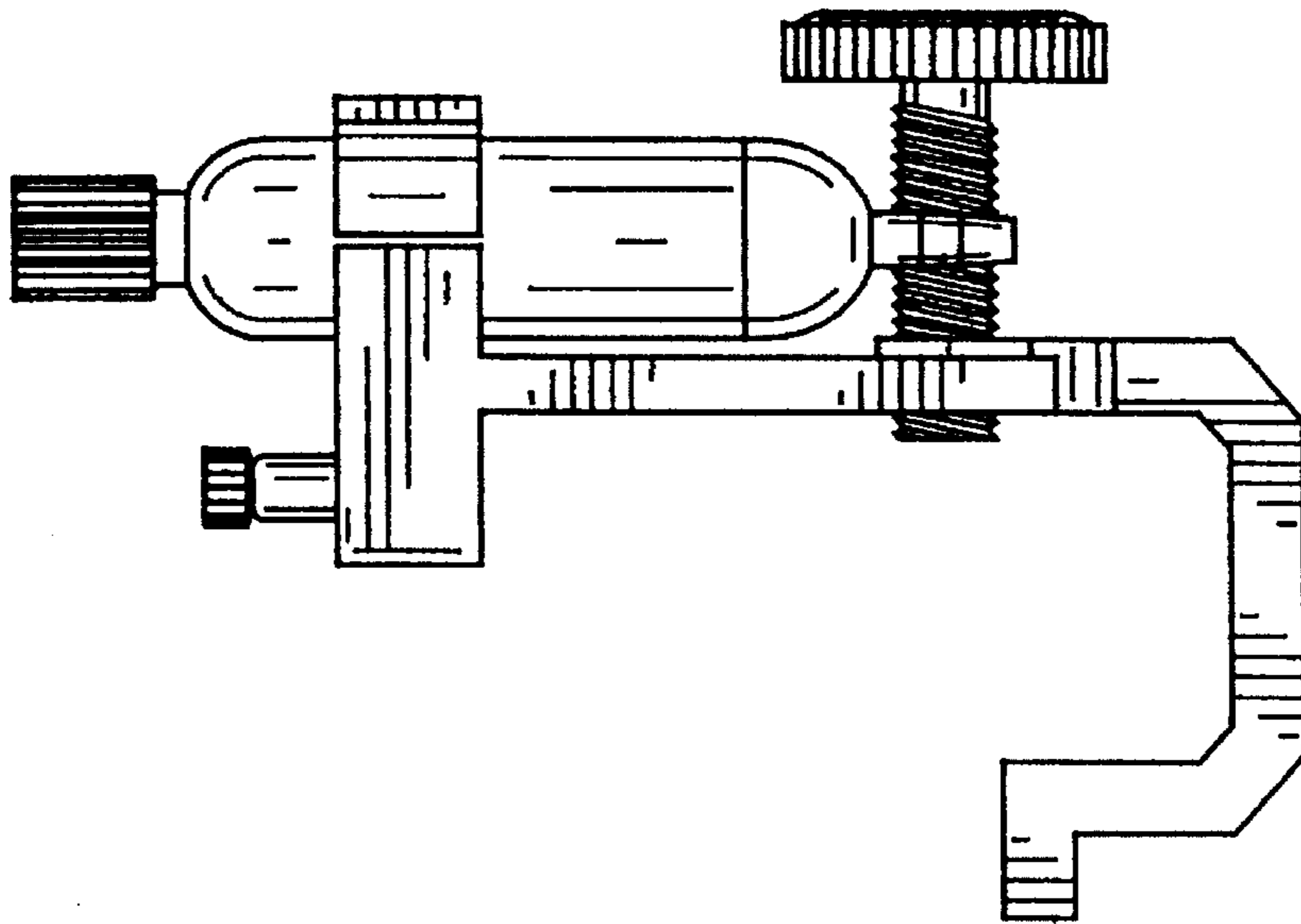


FIG. 4

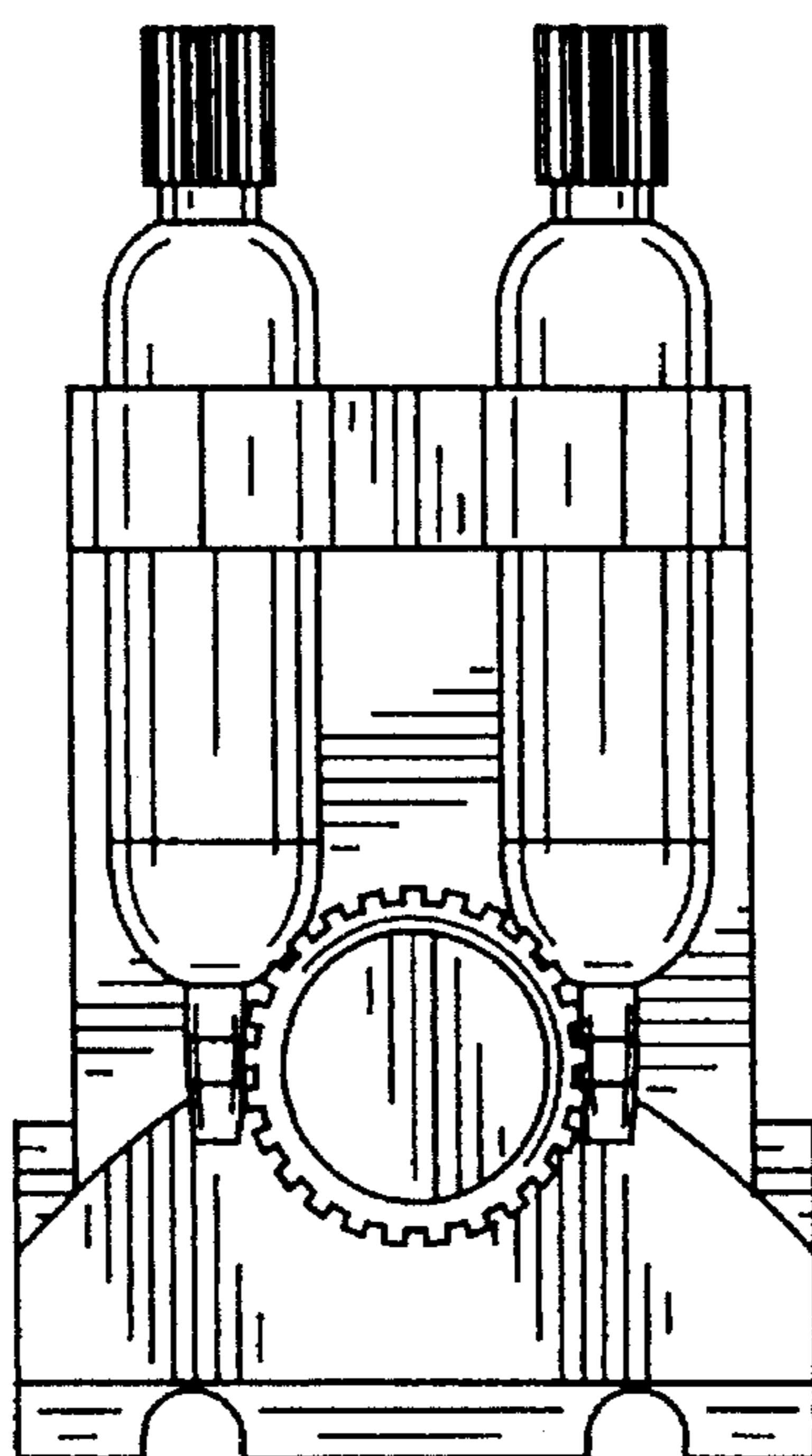


FIG. 5

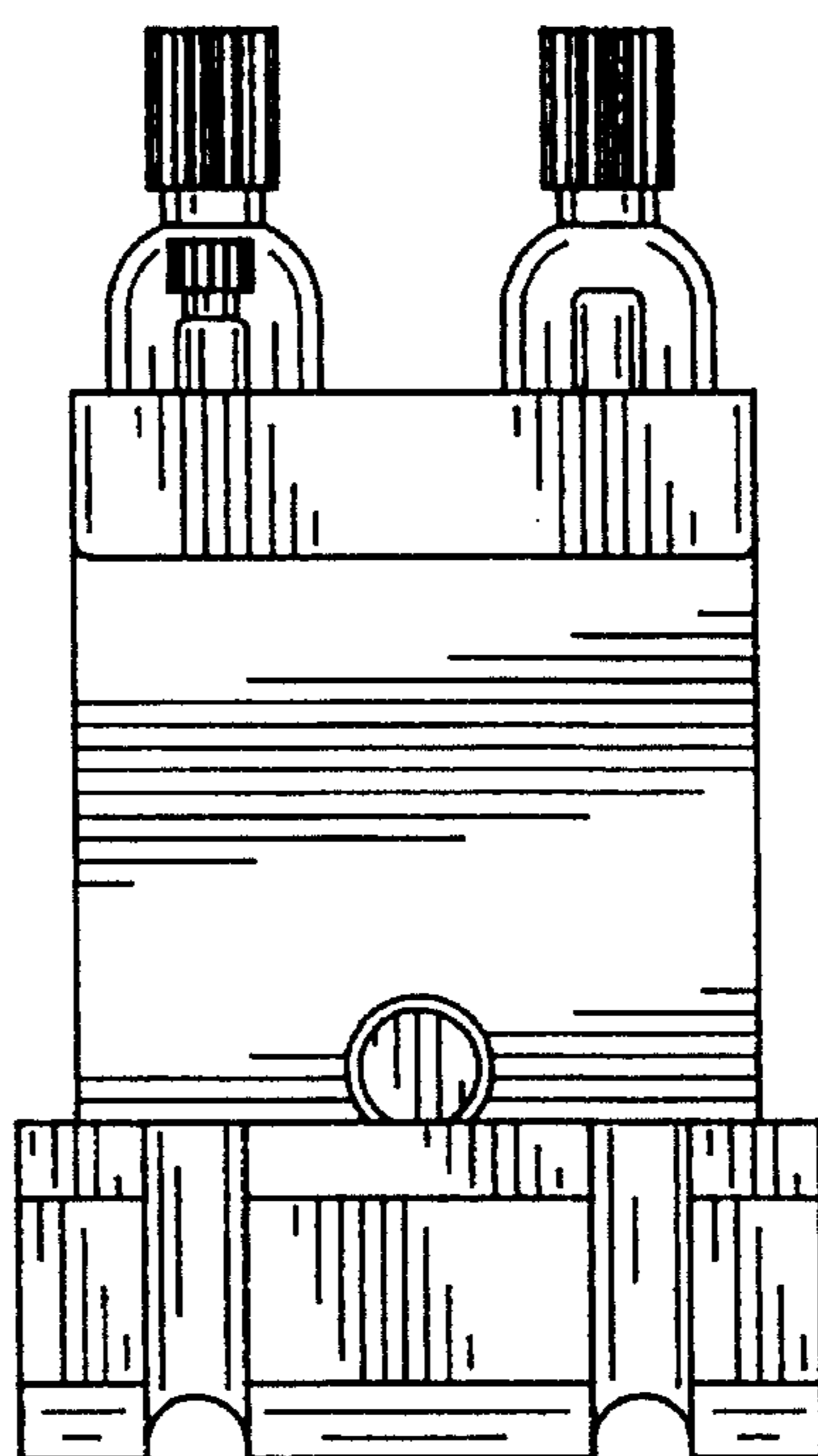


FIG. 6