



US00D375993S

United States Patent [19]

[11] Patent Number: **Des. 375,993**

Skinnes

[45] Date of Patent: ****Nov. 26, 1996**

[54] ARCHERY STAND

FOREIGN PATENT DOCUMENTS

[76] Inventor: **David Skinnes**, Rt. 4, Box 286,
Ashland, Wis. 54806

15863 9/1980 European Pat. Off. 248/126

[**] Term: **14 Years**

Primary Examiner—Louis S. Zarfes
Assistant Examiner—Monica A. Hannon
Attorney, Agent, or Firm—Leydig, Voit & Mayer, Ltd.

[21] Appl. No.: **40,389**

[57] CLAIM

[22] Filed: **Jun. 16, 1995**

The ornamental design for an archery stand, as shown and described.

[52] U.S. Cl. **D22/107**; D22/199; D6/552

[58] Field of Search D22/107, 108,
D22/199; D21/5; D6/552, 449; 42/70.11;
89/34; 124/1, 23.1, 86; 211/60.1, 13; 248/126,
127; 273/345

DESCRIPTION

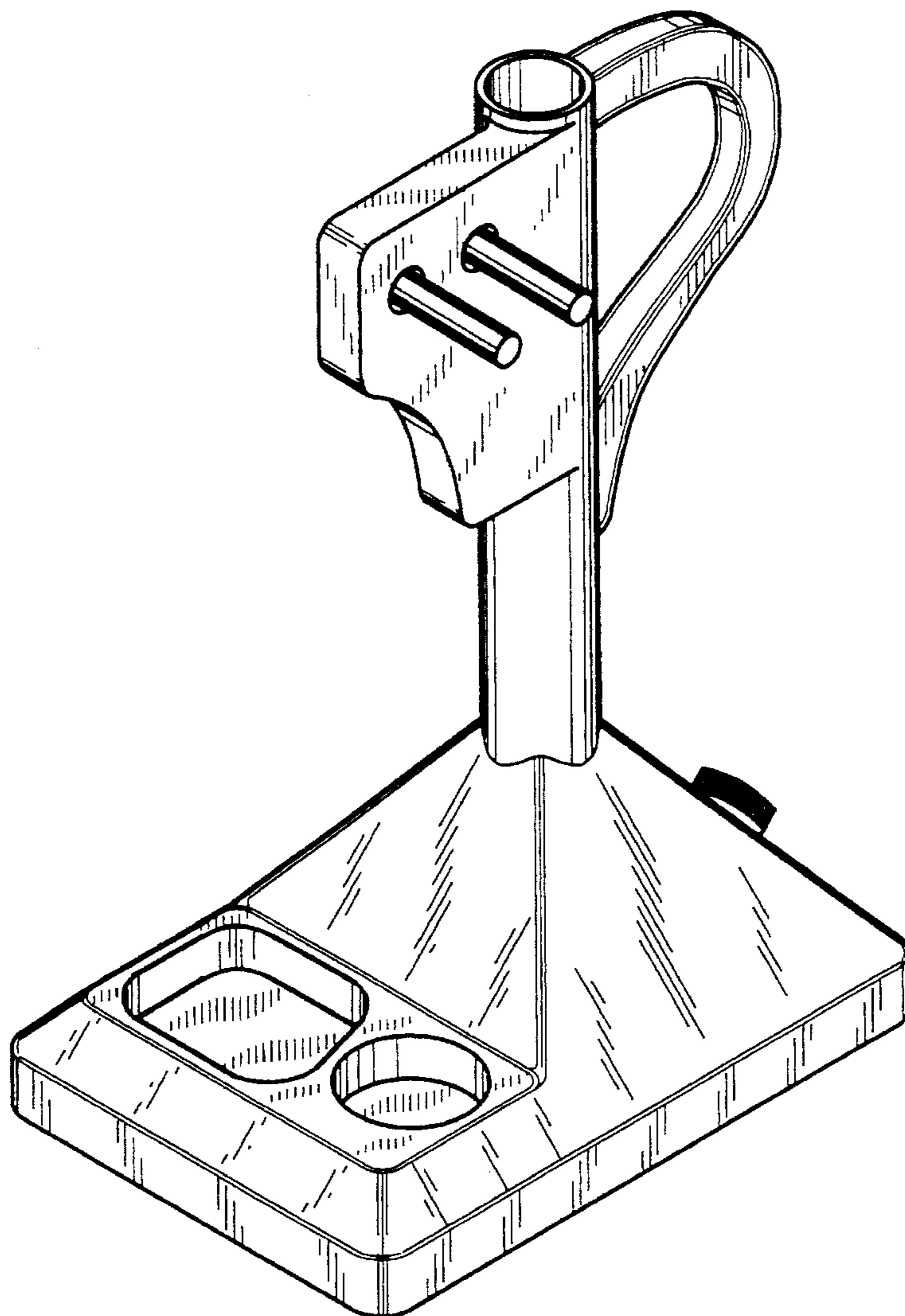
[56] References Cited

U.S. PATENT DOCUMENTS

D. 355,694	2/1995	Stafford, Jr.	D22/107
3,584,820	6/1991	Butcher, Sr.	211/60.1 X
4,331,311	5/1982	Russell	124/23.1 X
4,474,296	10/1984	Hartman	211/13
5,190,169	3/1993	Sincock	211/60.1

FIG. 1 is a perspective view of an archery stand in accordance with the present invention;
FIG. 2 is a right side view thereof;
FIG. 3 is a left side view thereof;
FIG. 4 is a frontal side view thereof;
FIG. 5 is a rear side view thereof;
FIG. 6 is a top plan view thereof; and,
FIG. 7 is a bottom plan view thereof.

1 Claim, 4 Drawing Sheets



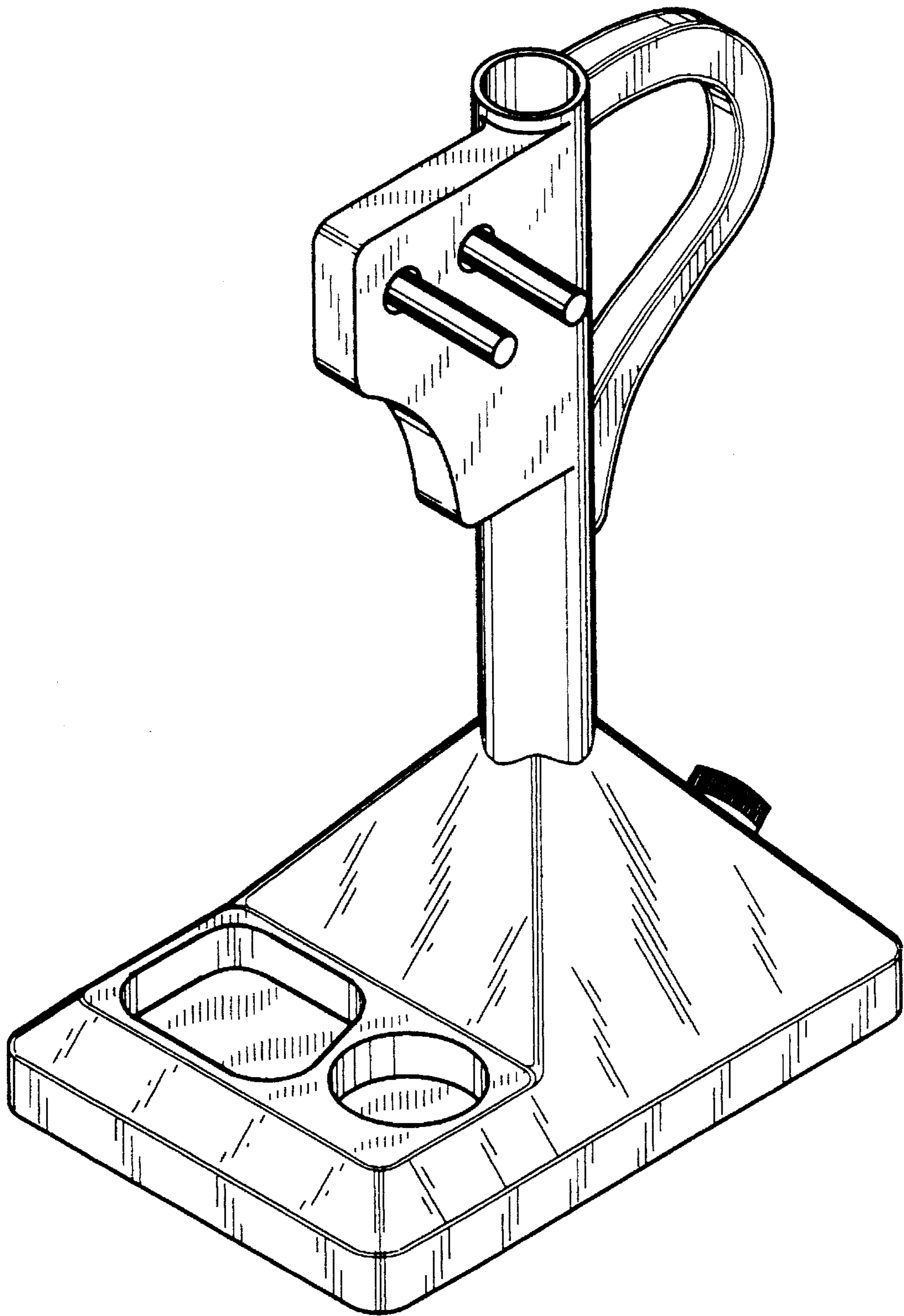


FIG. 1

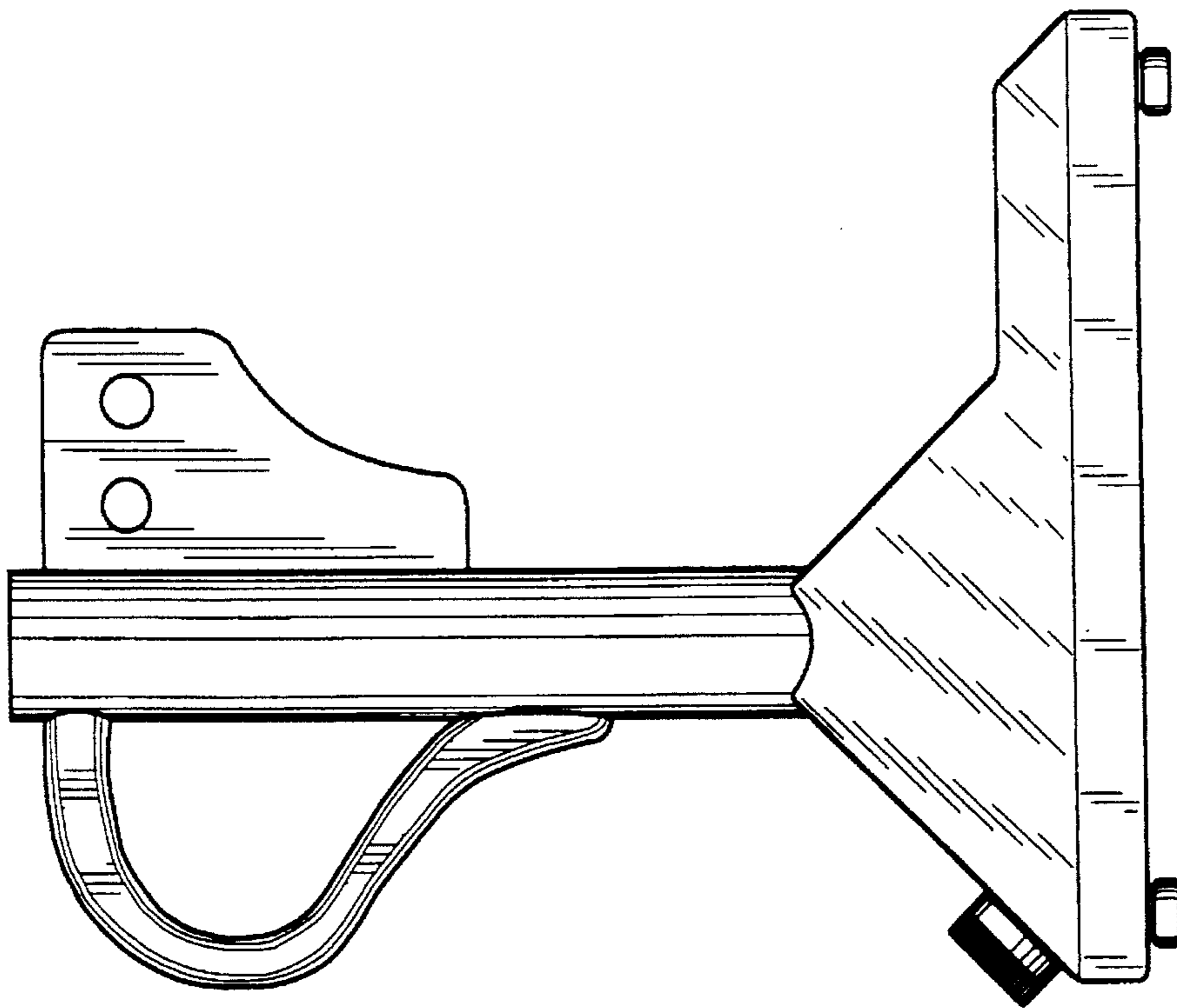


FIG. 3

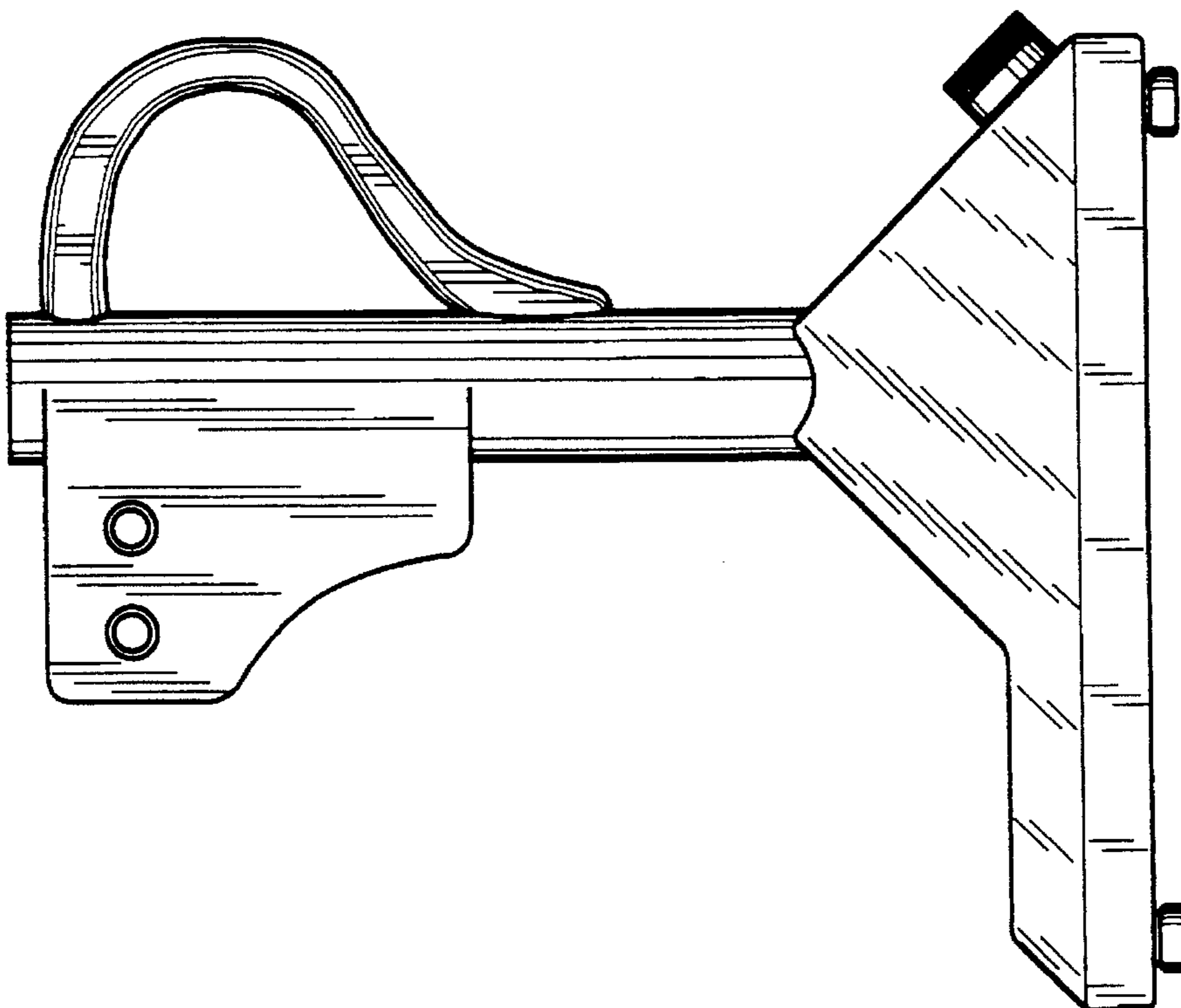


FIG. 2

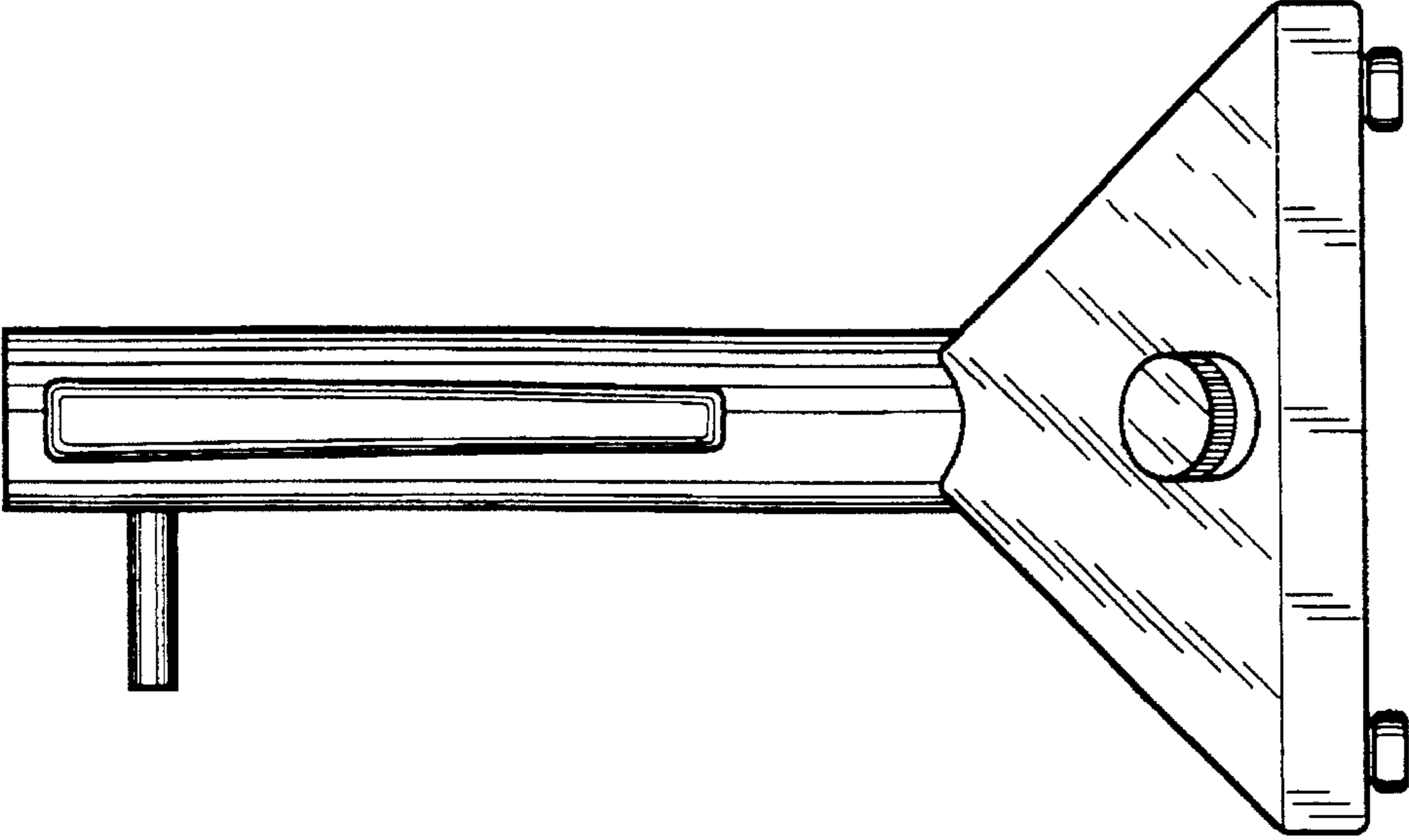


FIG. 5

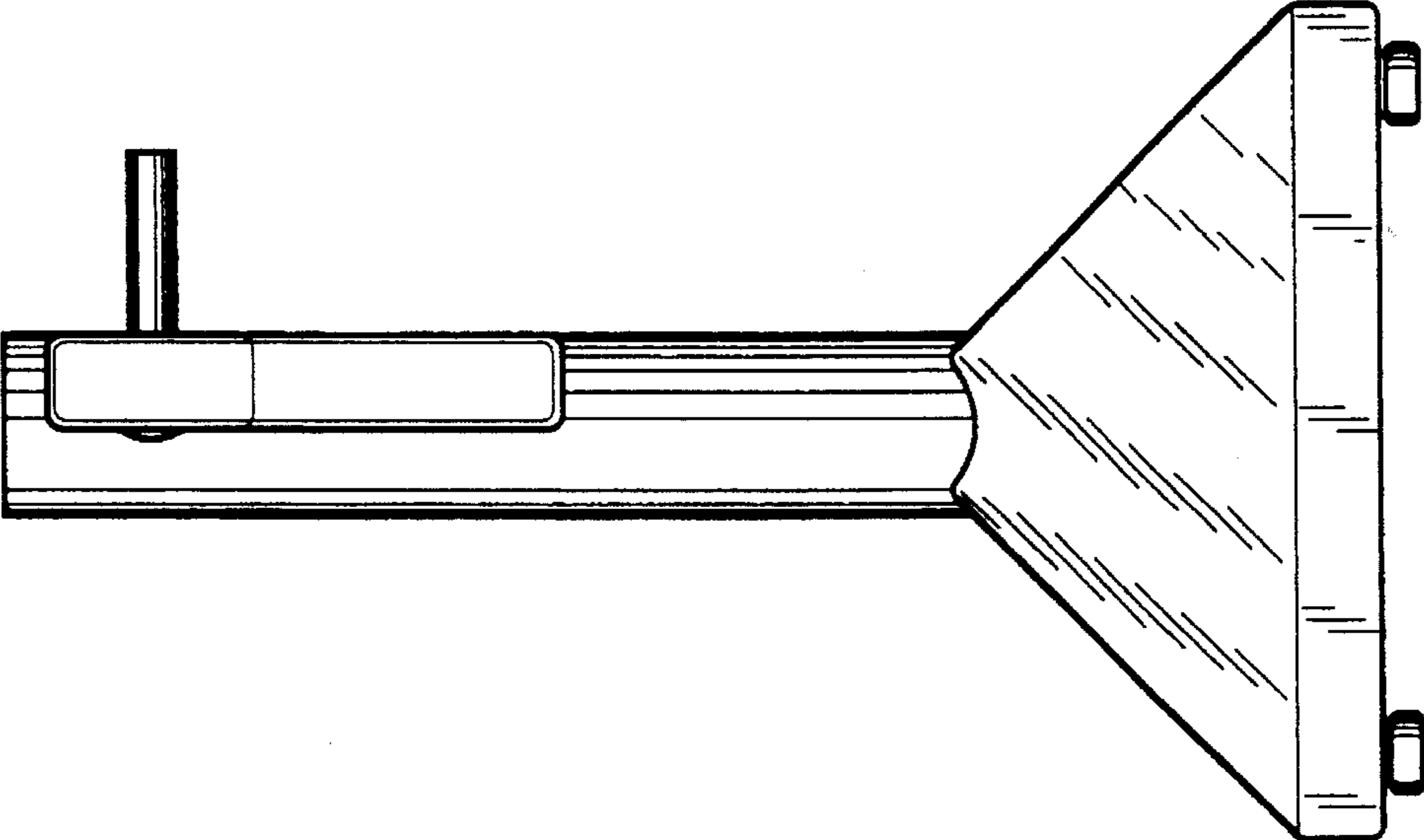


FIG. 4

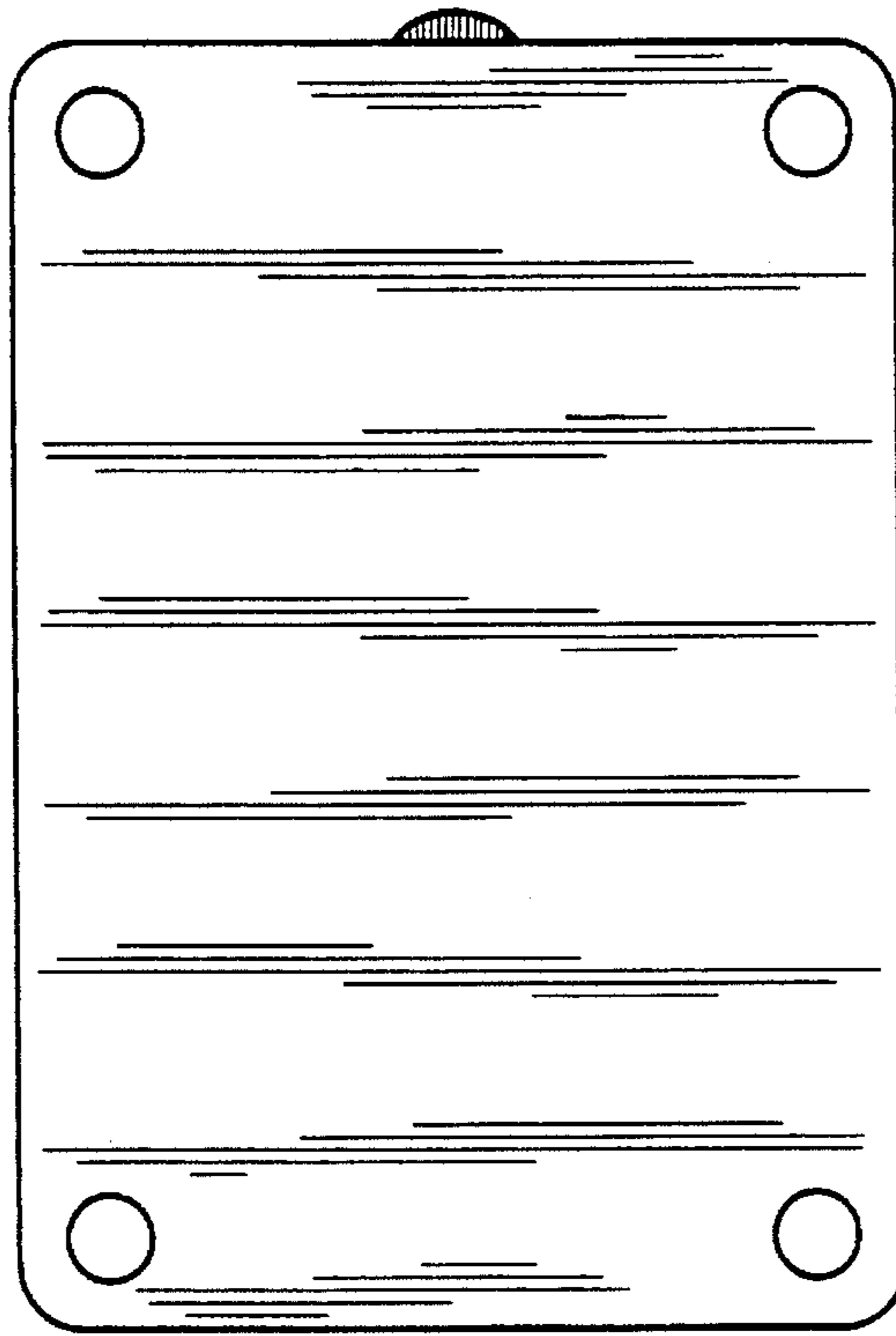


FIG. 7

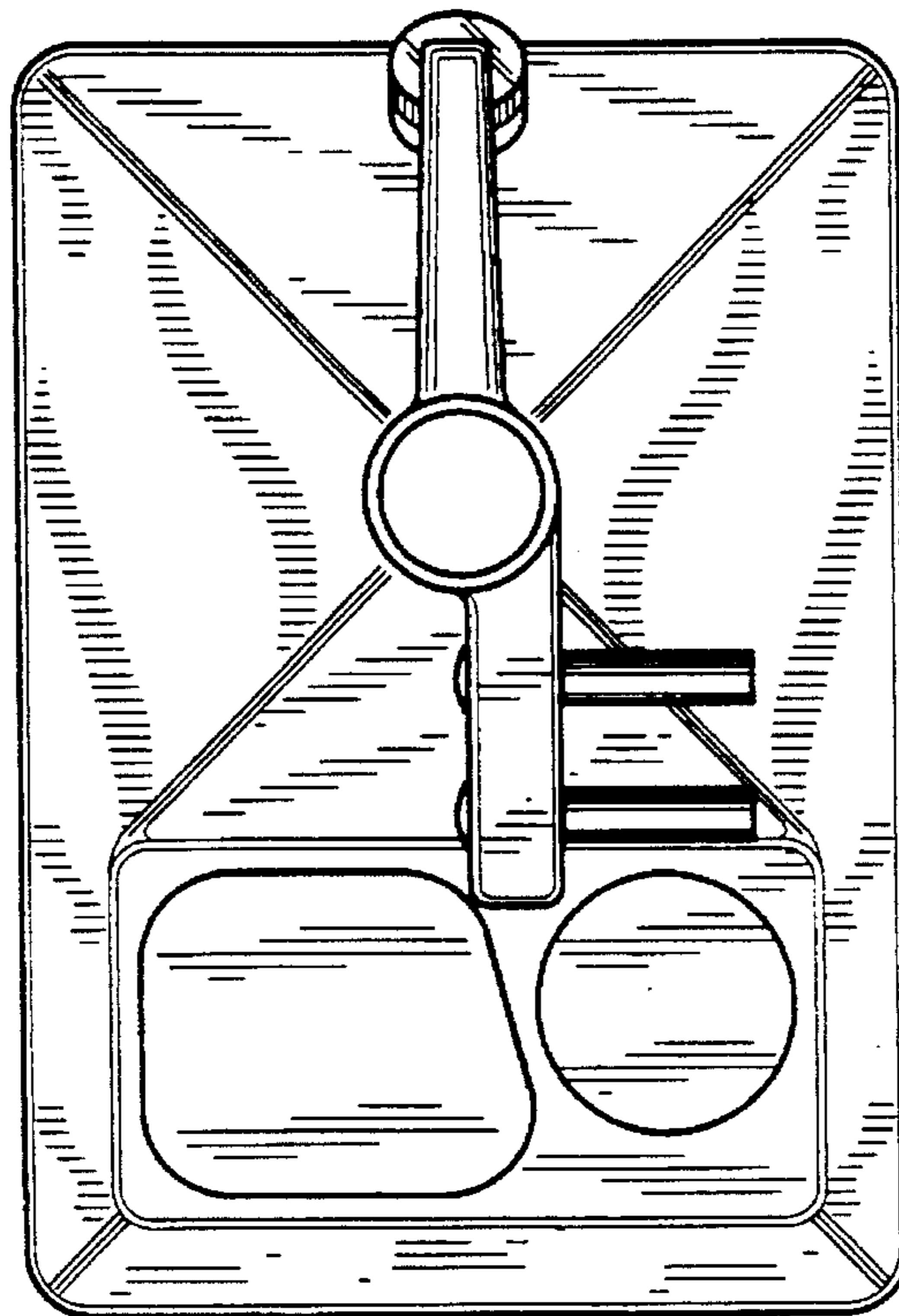


FIG. 6