



US00D375992S

# United States Patent [19]

Haber et al.

[11] Patent Number: **Des. 375,992**

[45] Date of Patent: **\*\*Nov. 26, 1996**

[54] PISTOL

[75] Inventors: **Terry M. Haber**, El Toro; **William H. Smedley**, Lake Elsinore; **Clark B. Foster**, Laguna Niguel, all of Calif.

[73] Assignee: **Habley Medical Technology Corporation**, Lake Forest, Calif.

[\*\*] Term: **14 Years**

[21] Appl. No.: **45,298**

[22] Filed: **Oct. 16, 1995**

[52] U.S. Cl. .... **D22/104; D22/100**

[58] Field of Search ..... **D22/100, 101, D22/104, 105, 108, 199; D21/145, 146, 147; 42/7, 18, 22; 89/195, 196**

[56] **References Cited**

**U.S. PATENT DOCUMENTS**

D. 248,276	6/1994	Hastings	.....	D22/104 X
D. 362,043	9/1995	Batts et al.	.....	D22/104
D. 363,107	10/1995	Sanford	.....	D22/100 X
3,159,080	12/1964	Freed	.....	42/7 X

**OTHER PUBLICATIONS**

*Police Magazine*, Aug. 1992, p. 97, "Colt All American Model 2000," Pistol, top center of page.

*Police Magazine*, Aug. 1992, p. 55, "Clock Model 22.40" Pistol, top center of page.

*Primary Examiner*—Louis S. Zarfaz

*Assistant Examiner*—Monica A. Hannon

*Attorney, Agent, or Firm*—Hawes, Fischer & Dickinson

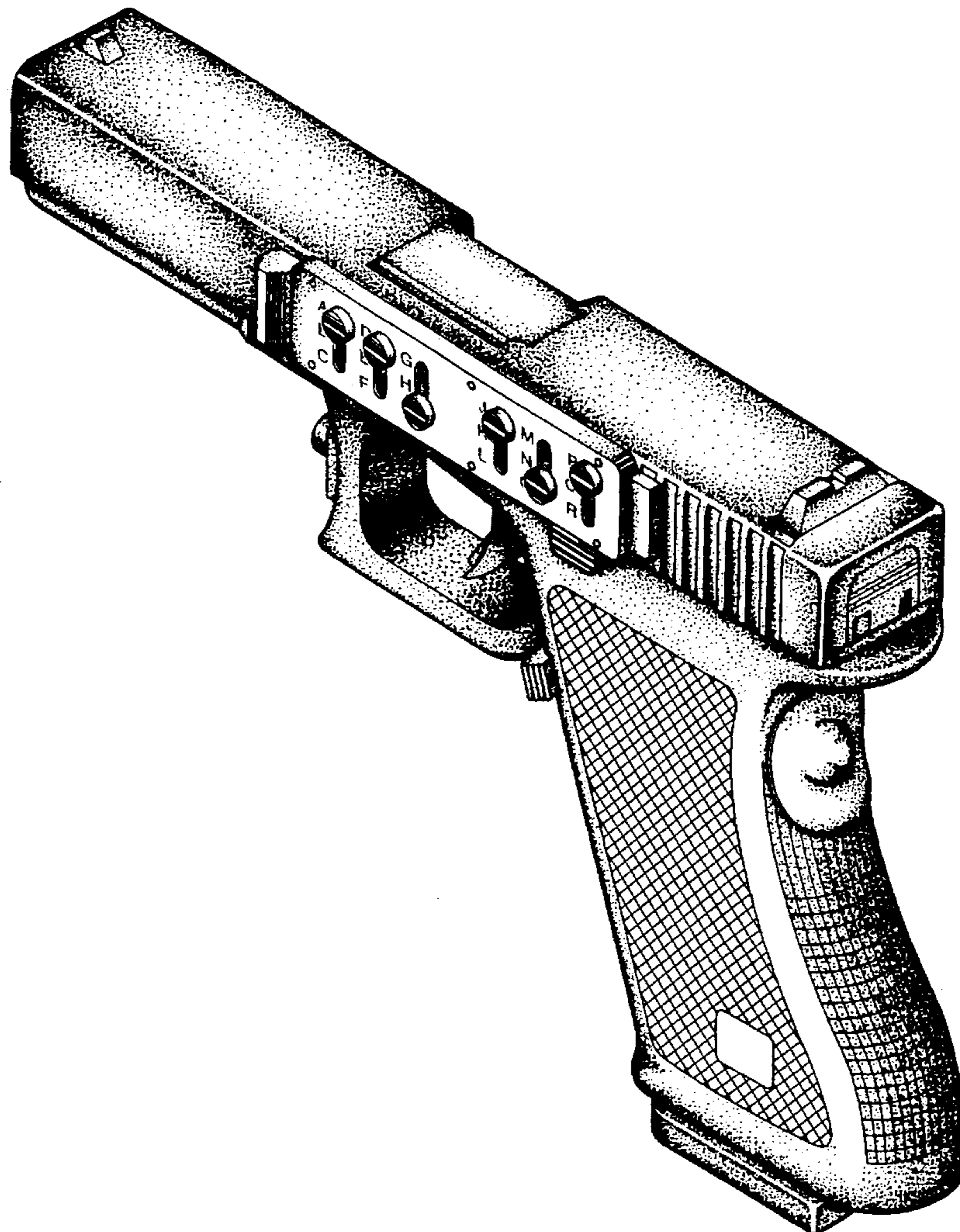
[57] **CLAIM**

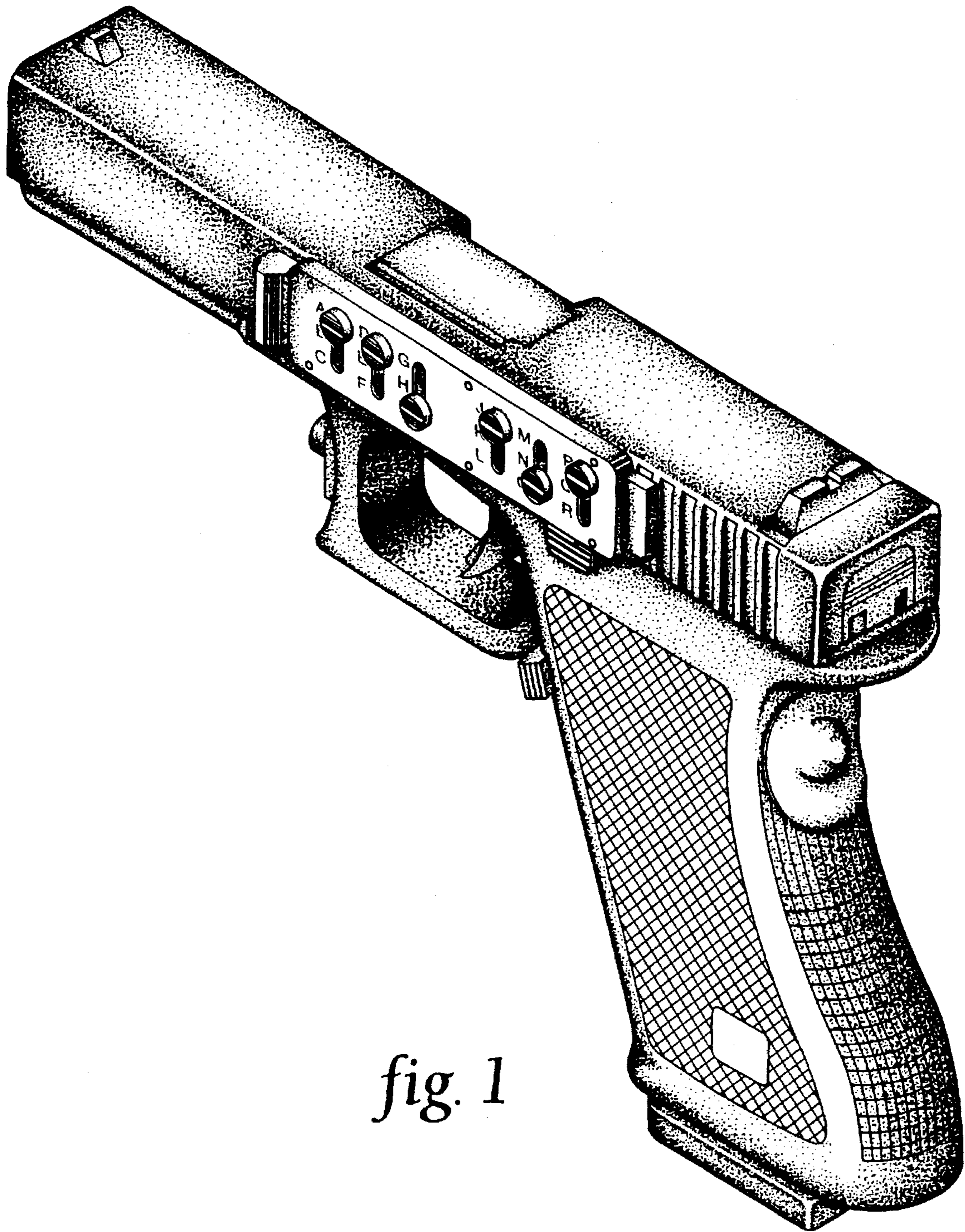
The ornamental design for a pistol, as shown and described.

**DESCRIPTION**

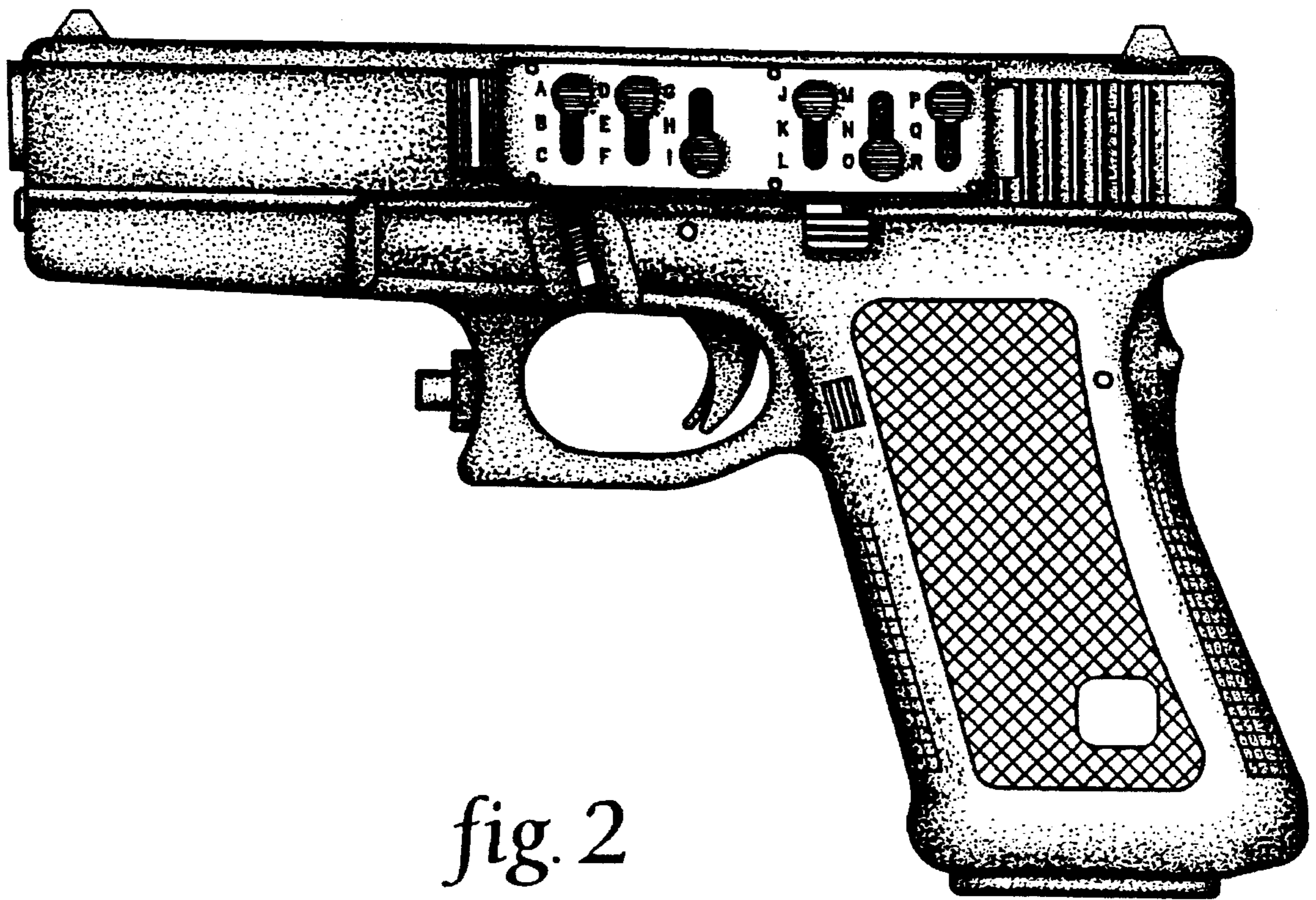
FIG. 1 is a perspective view showing the top, the left side and the rear of the pistol which forms our invention; FIG. 2 is a left side elevational view thereof; FIG. 3 is a right side elevational view thereof; FIG. 4 is a top plan view thereof; FIG. 5 is a bottom plan view thereof; FIG. 6 is a front elevational view thereof; and, FIG. 7 is a rear elevational view thereof.

**1 Claim, 5 Drawing Sheets**

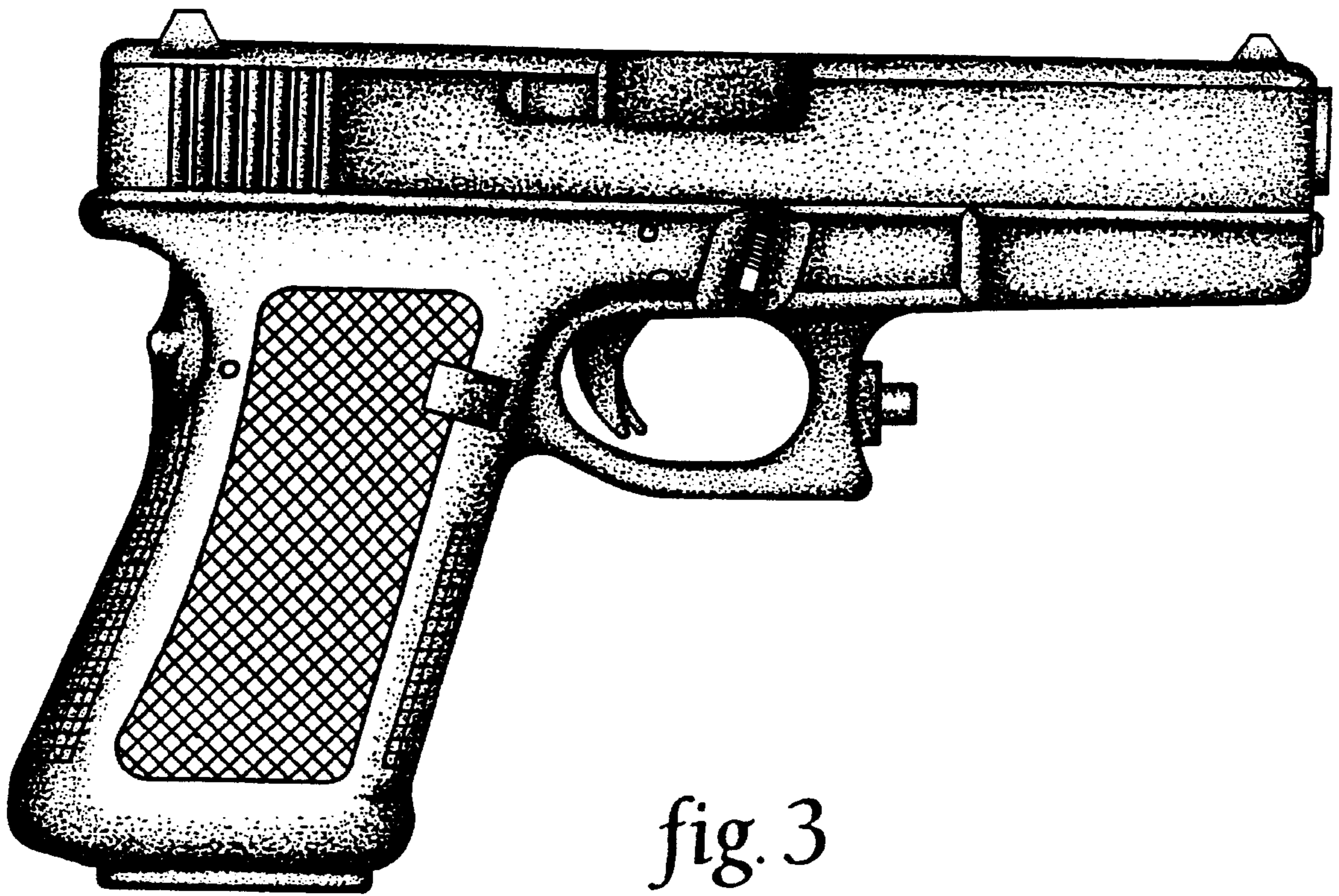




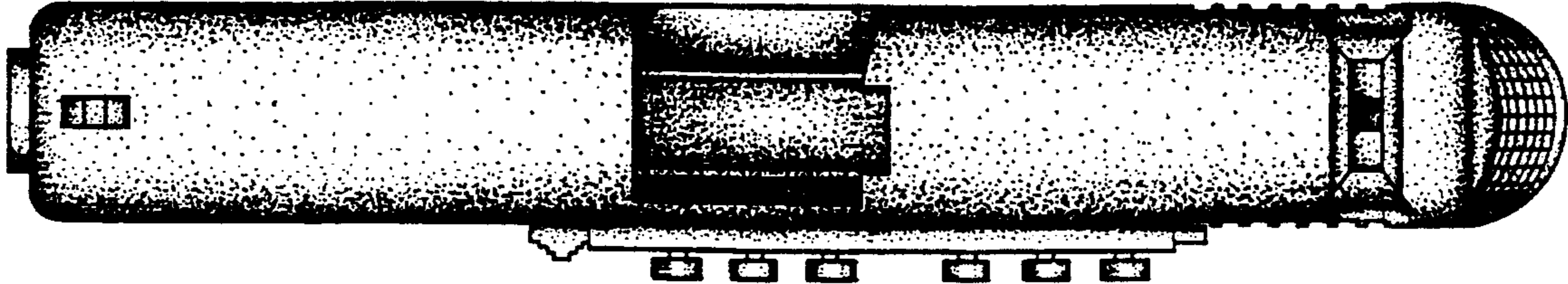
*fig. 1*



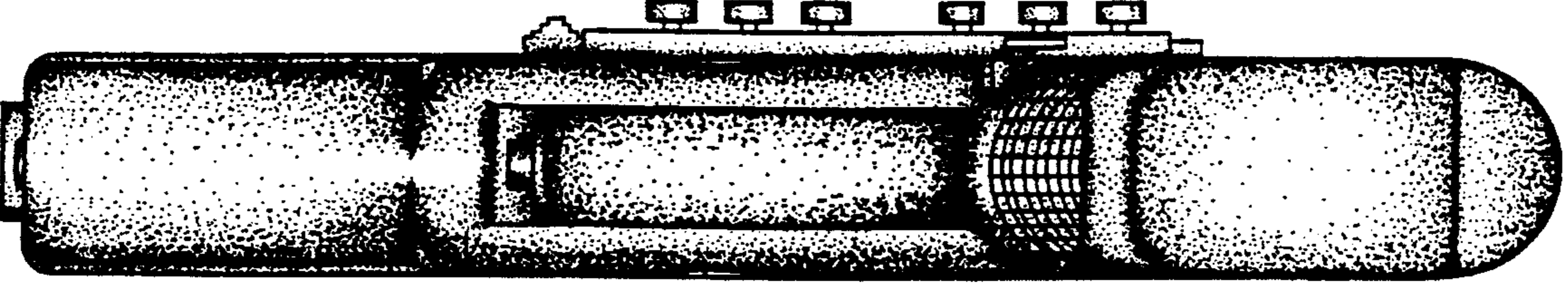
*fig. 2*



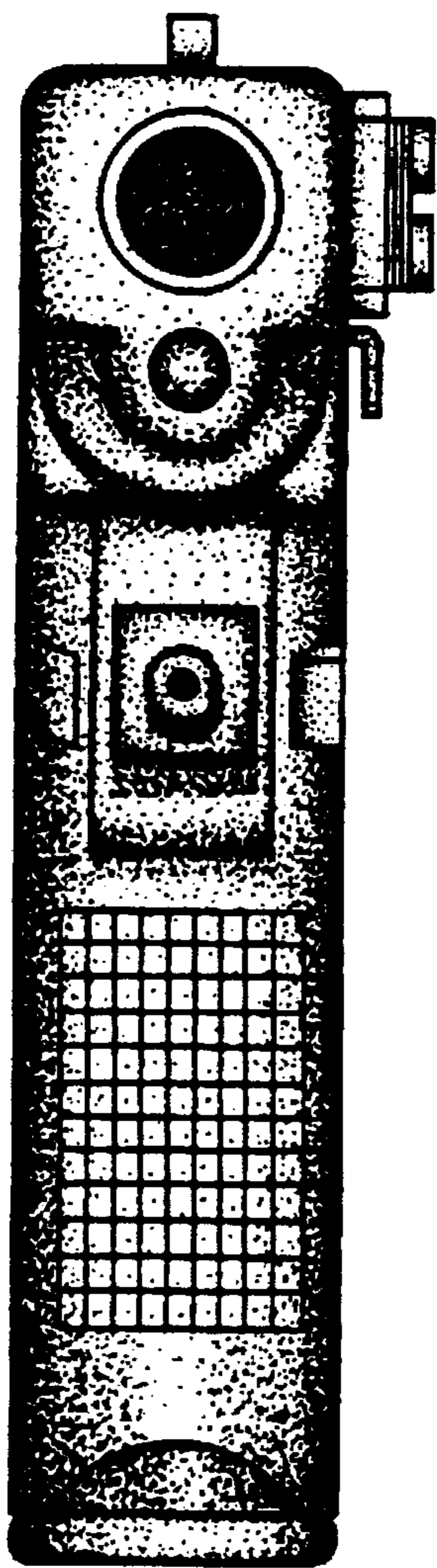
*fig. 3*



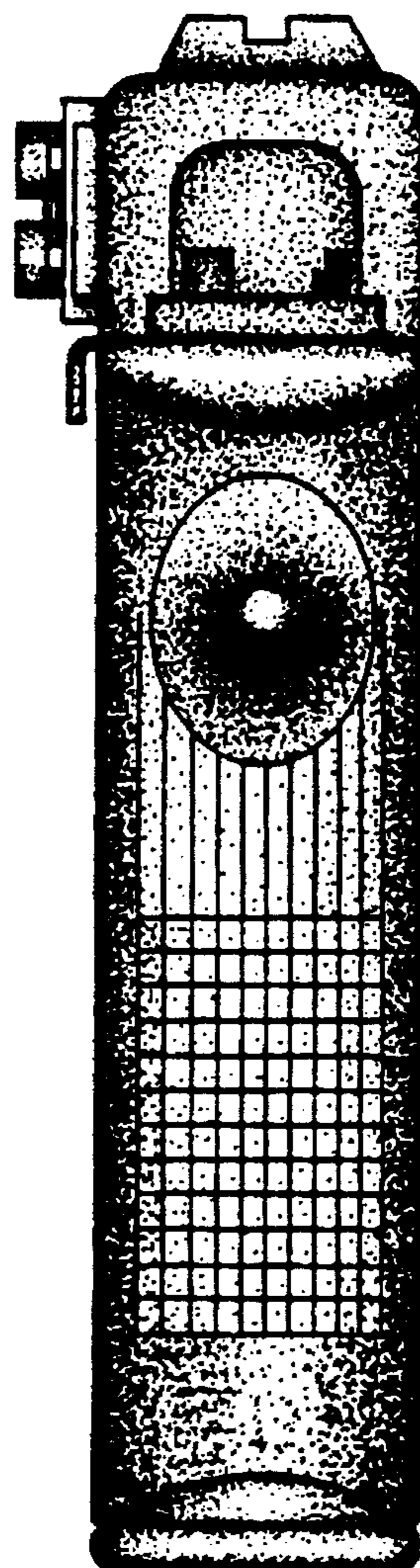
*fig. 4*



*fig. 5*



*fig. 6*



*fig. 7*