



US00D375986S

United States Patent [19]

[11] **Patent Number: Des. 375,986**

Wilkinson et al.

[45] **Date of Patent: **Nov. 26, 1996**

[54] **REMOTE CONTROLLED MOVABLE BALL AMUSEMENT DEVICE**

[75] Inventors: **William T. Wilkinson**, Sunset Dr., R.D. #1, Salem, N.J. 08079; **John J. Nelson**, Levitown, Pa.

[73] Assignee: **William T. Wilkinson**, Salem, N.J.

[**] Term: **14 Years**

[21] Appl. No.: **43,438**

[22] Filed: **Sep. 5, 1995**

Related U.S. Application Data

[63] Continuation of Ser. No. 292,273, Aug. 18, 1994.

[52] **U.S. Cl.** **D21/204**

[58] **Field of Search** **D21/204, 205; 273/58 R, 58 A, 58 BA, 58 B, 58 J, 58 D, 58 E, 58 F, 58 G; 446/409, 397**

[56] **References Cited**

U.S. PATENT DOCUMENTS

- 2,104,636 1/1938 Burcham .
- 2,949,697 8/1960 Licitis et al. .
- 3,102,362 9/1963 Neal .
- 3,106,397 10/1963 Lacey .
- 3,453,773 7/1969 Compton et al. .
- 3,500,579 3/1970 Bryer .
- 3,667,156 6/1972 Tomiyama et al. .
- 3,798,835 3/1974 McKeehan .
- 3,804,411 4/1974 Hendry 273/58 A
- 4,391,224 7/1983 Adler .
- 4,438,588 3/1984 Martin .
- 4,471,567 9/1984 Martin .

- 4,501,569 2/1985 Clark, Jr. et al. .
- 4,541,814 9/1985 Martin .
- 4,601,675 7/1986 Robinson .
- 4,726,800 2/1988 Kobayashi 273/58 B X
- 4,737,134 4/1988 Rumsey 446/409
- 4,927,401 5/1990 Sonesson .
- 5,041,051 8/1991 Sonesson .
- 5,066,011 11/1991 Dykstra et al. .
- 5,072,938 12/1991 Shin 273/58 F
- 5,135,427 8/1992 Suto et al. .
- 5,297,981 3/1994 Maxim et al. .
- 5,439,408 8/1995 Wilkinson 446/409

FOREIGN PATENT DOCUMENTS

- 1184170 7/1959 France .
- 8803308 6/1988 Germany .
- 6407 6/1914 United Kingdom .
- 1292441 10/1972 United Kingdom .
- 1129441 10/1972 United Kingdom .

Primary Examiner—Prabhakar G. Deshmukh
Assistant Examiner—Cheri Cohen
Attorney, Agent, or Firm—Connolly & Hutz

[57] **CLAIM**

The ornamental design for a remote controlled movable ball amusement device, as shown and described.

DESCRIPTION

FIG. 1 is a front elevational view of a remote controlled movable ball amusement device showing our new design; FIG. 2 is a right side elevational view thereof with the left side elevational view being identical; FIG. 3 is a top plan view thereof; FIG. 4 is a rear elevational view thereof; and, FIG. 5 is a bottom plan view thereof.

1 Claim, 2 Drawing Sheets

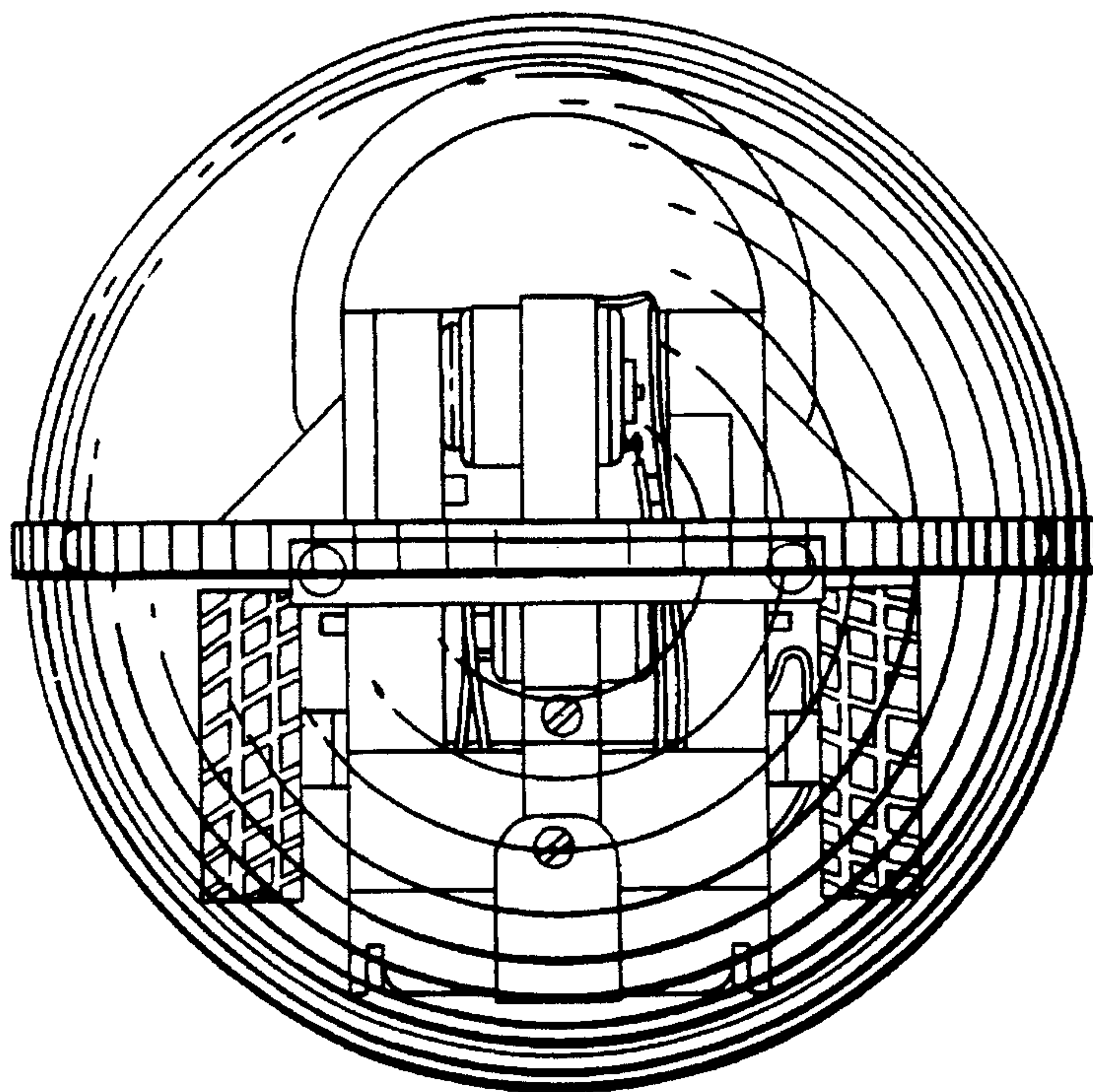


Fig. 3.

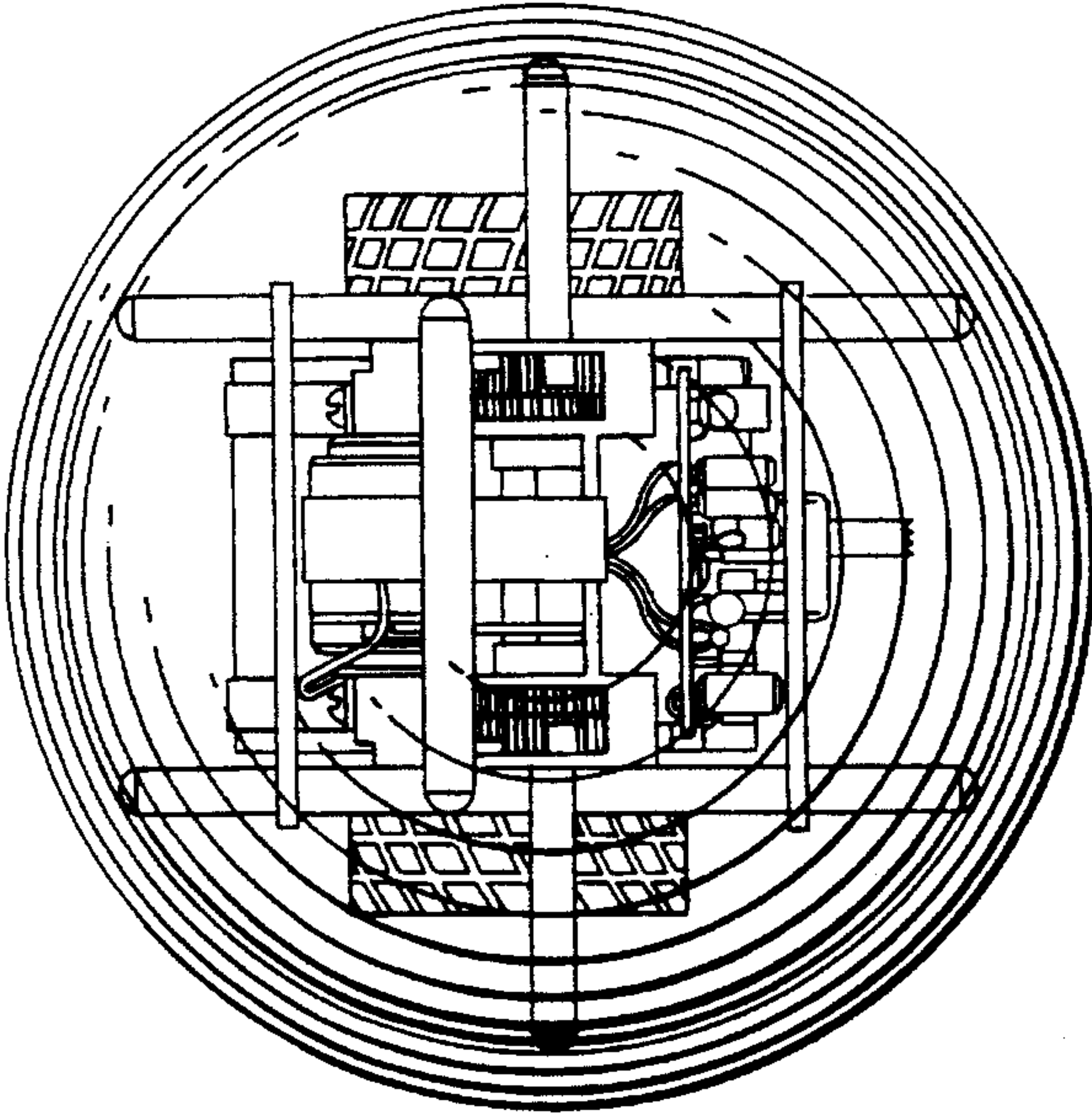


Fig. 2.

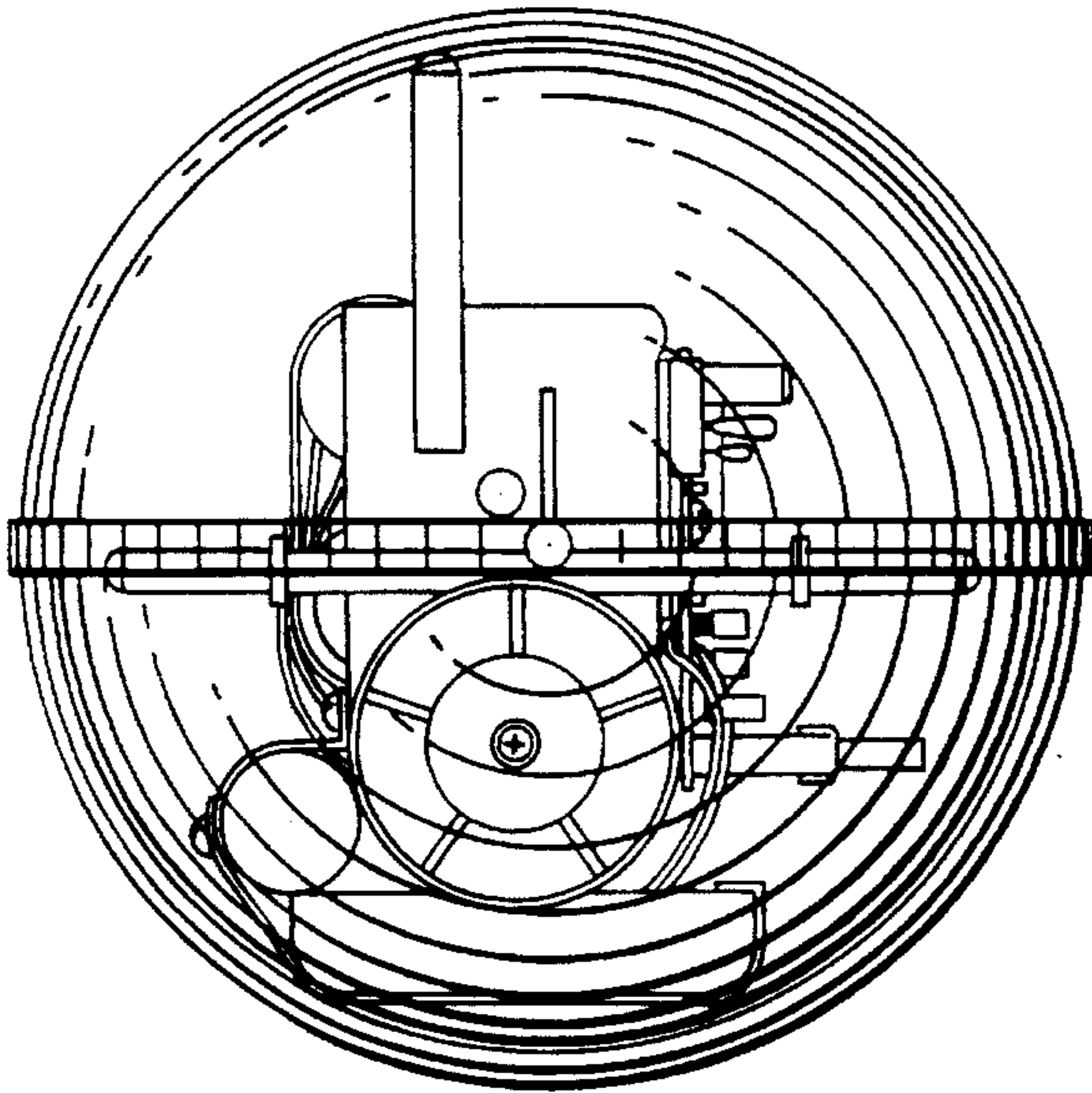


Fig. 1.

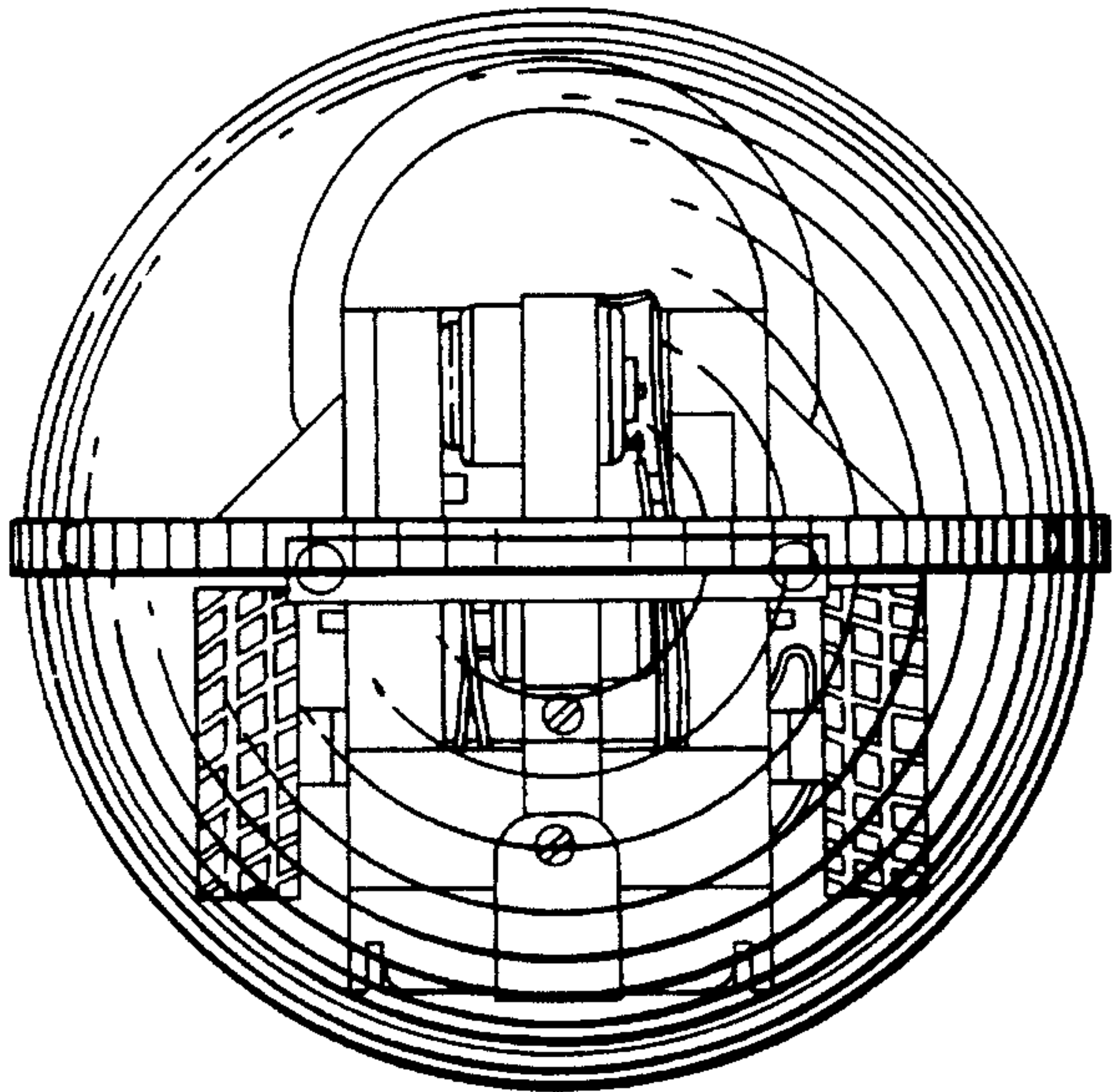


Fig. 4.

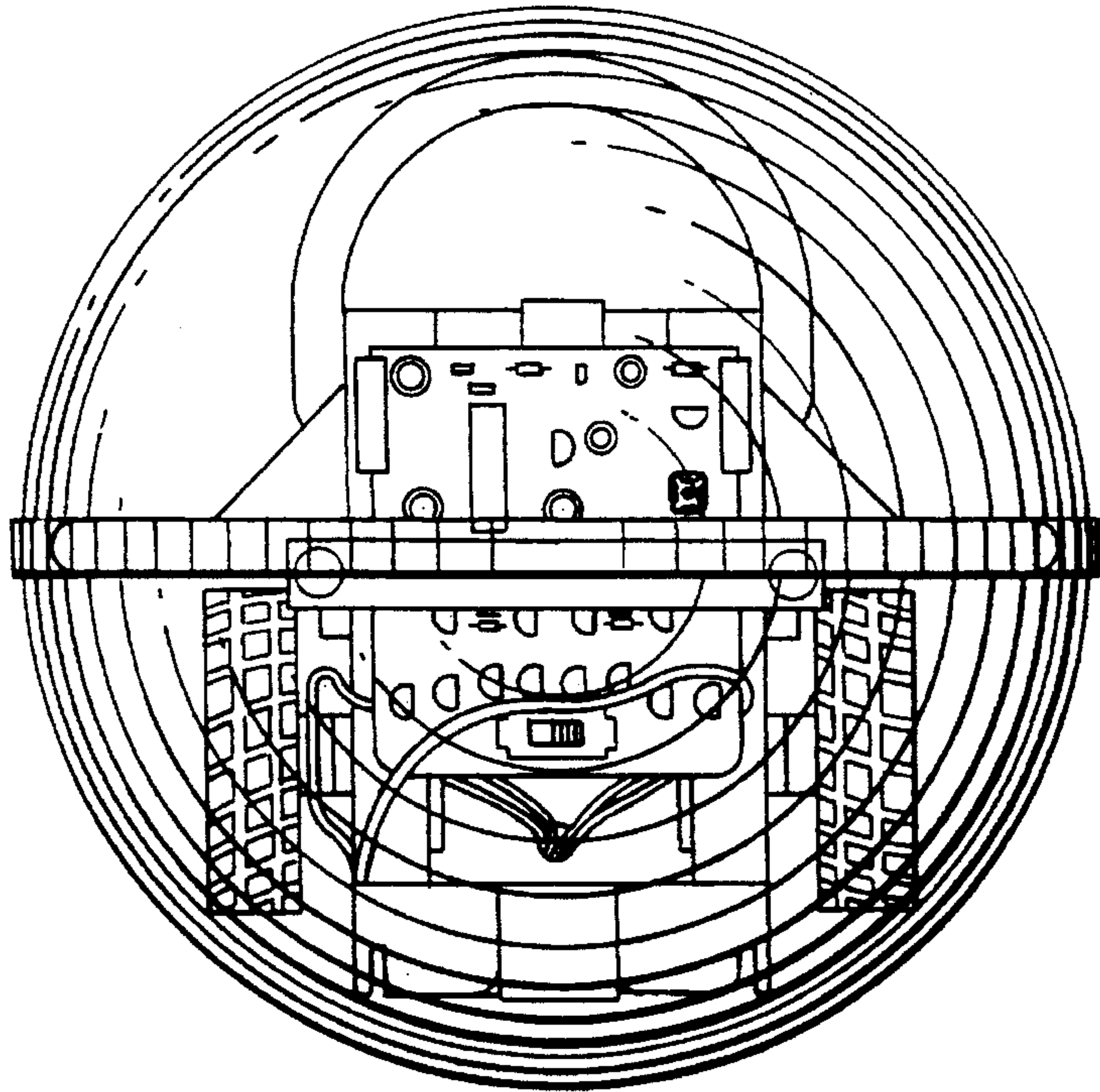


Fig. 5.

