



US00D375983S

# United States Patent [19]

Olsen et al.

[11] Patent Number: **Des. 375,983**

[45] Date of Patent: **\*\*Nov. 26, 1996**

[54] TOY BUILDING ELEMENT

4,744,780 5/1988 Volpe ..... 446/128

[75] Inventors: **Flemming H. Olsen**, Esbjerg; **Per Brømsø**, Copenhagen, both of Denmark

*Primary Examiner*—Terry A. Wallace

*Assistant Examiner*—R. Barkai

*Attorney, Agent, or Firm*—Kane, Dalsimer, Sullivan, Kurucz, Levy, Eisele and Richard, LLP

[73] Assignee: **INTERLEGO AG**, Baar, Switzerland

[\*\*] Term: **14 Years**

### [57] CLAIM

[21] Appl. No.: **43,919**

The ornamental design for a toy building element, as shown and described.

[22] Filed: **Sep. 14, 1995**

### DESCRIPTION

[52] U.S. Cl. .... **D21/108**

[58] Field of Search ..... D21/108, 109, D21/124, 125, 141; 446/103, 110, 115, 120, 124, 125, 126, 128, 479, 489

FIG. 1 is a top perspective view of the toy building element showing our new design;

FIG. 2 is a bottom perspective view thereof;

FIG. 3 is a front side elevational view thereof;

FIG. 4 is a left side elevational view thereof, the right side being a mirror image thereof;

FIG. 5 is a rear elevational view thereof;

FIG. 6 is a bottom plan view thereof; and,

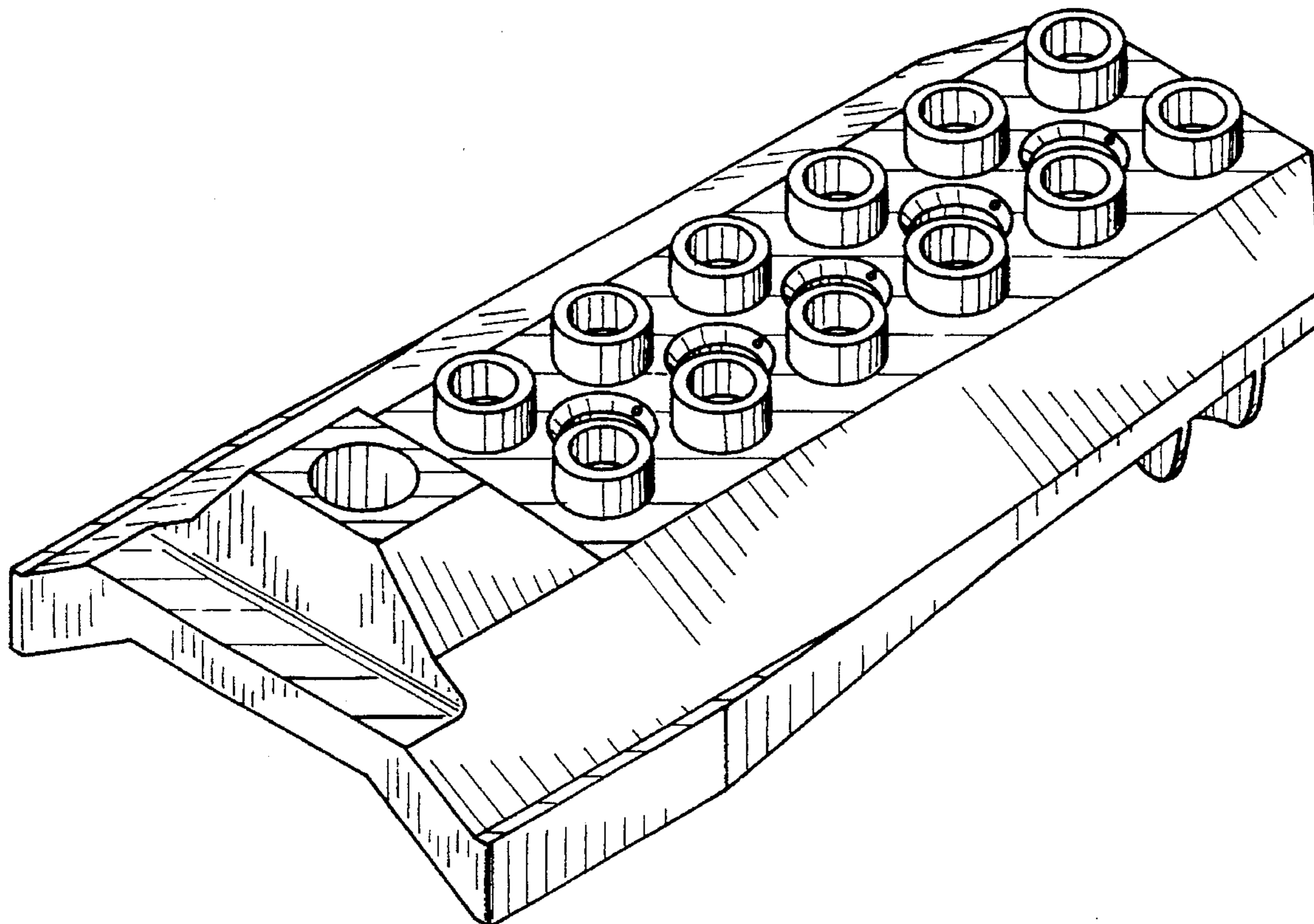
FIG. 7 is a top plan view thereof.

### [56] References Cited

#### U.S. PATENT DOCUMENTS

D. 280,838	10/1985	Tapdrup et al. ....	D21/108
D. 303,686	9/1989	Tapdrup .....	D21/108
D. 303,688	9/1989	Tapdrup .....	D21/108
D. 333,851	3/1993	Olsen .....	D21/108

**1 Claim, 3 Drawing Sheets**



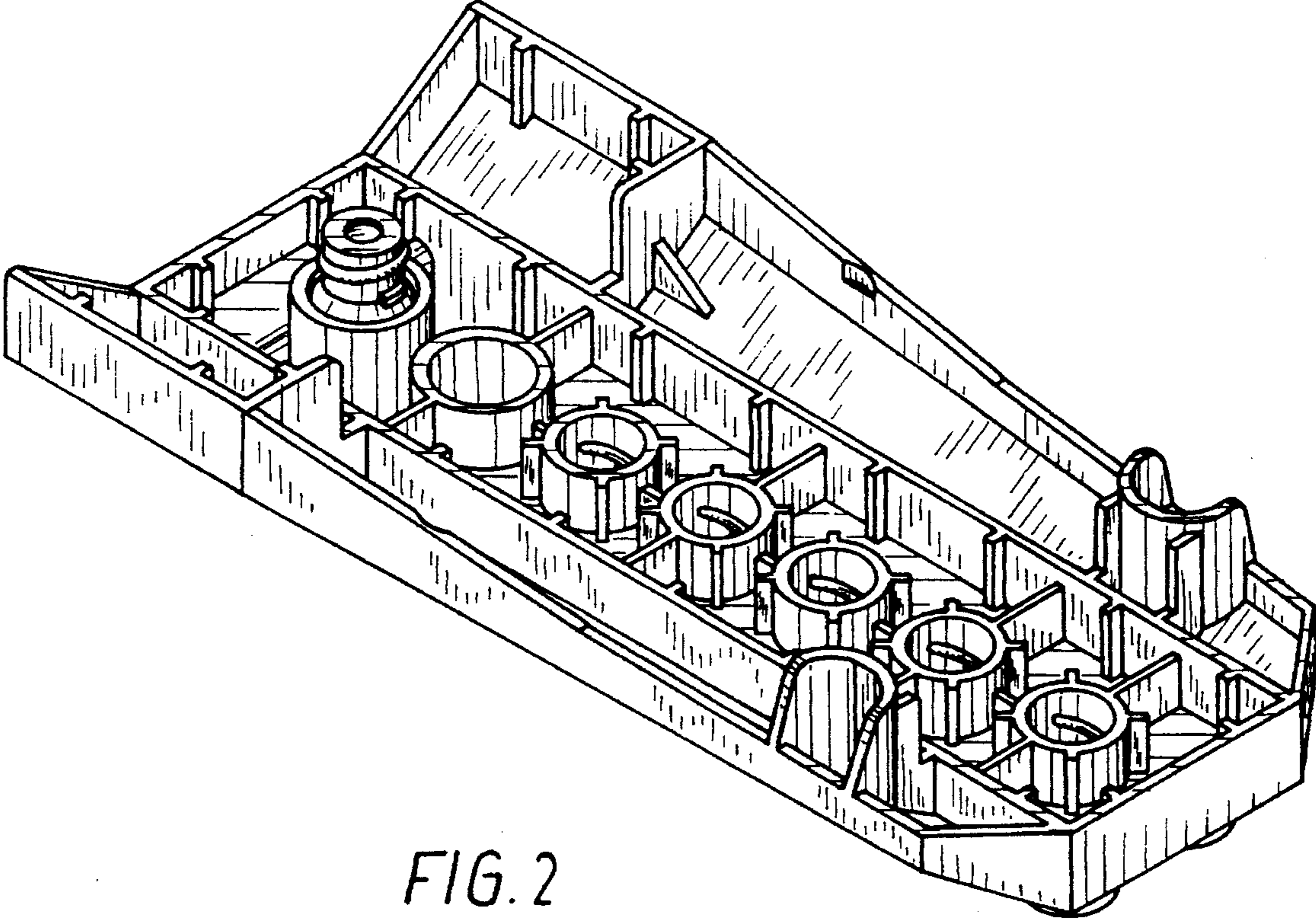


FIG. 2

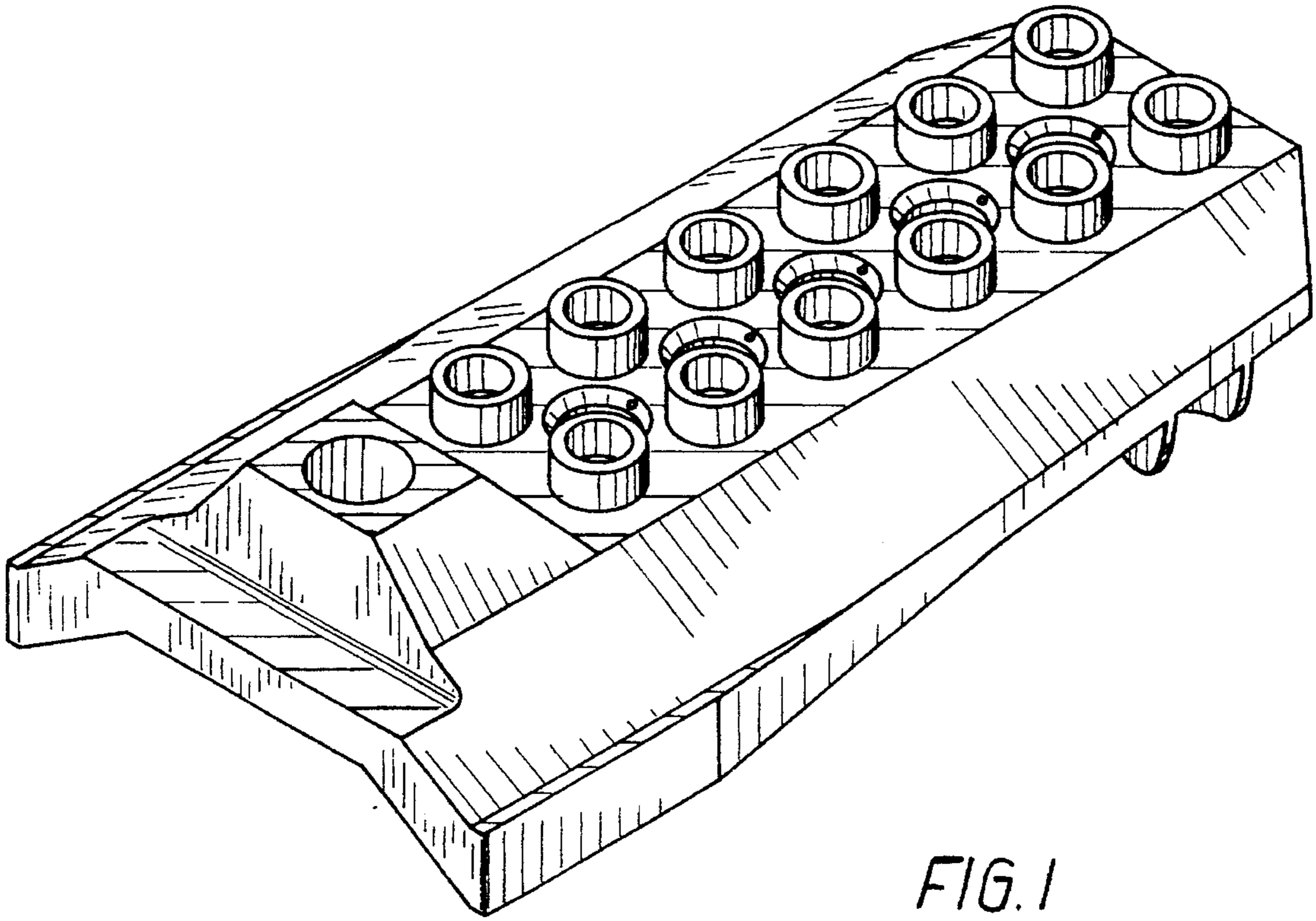


FIG. 1

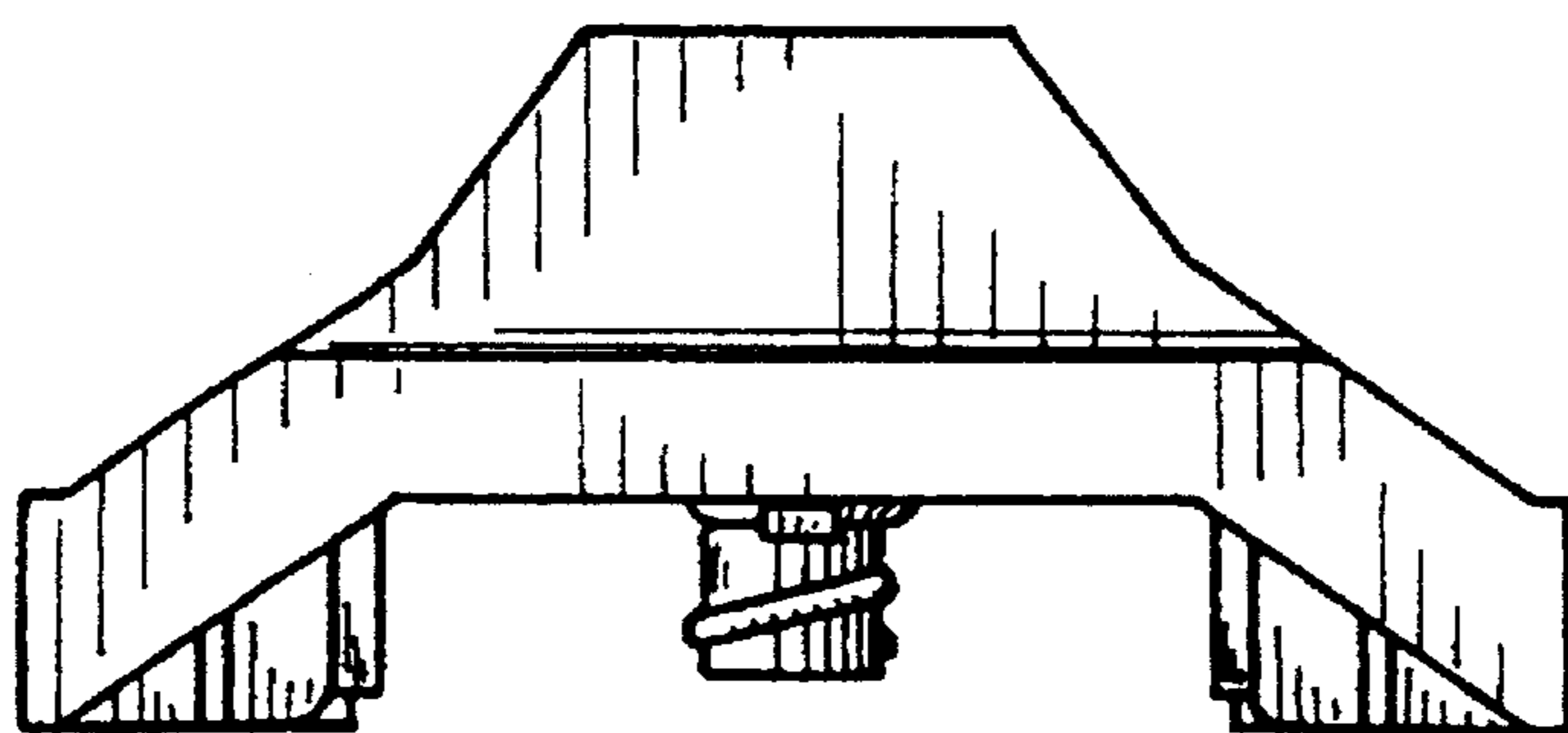


FIG. 3

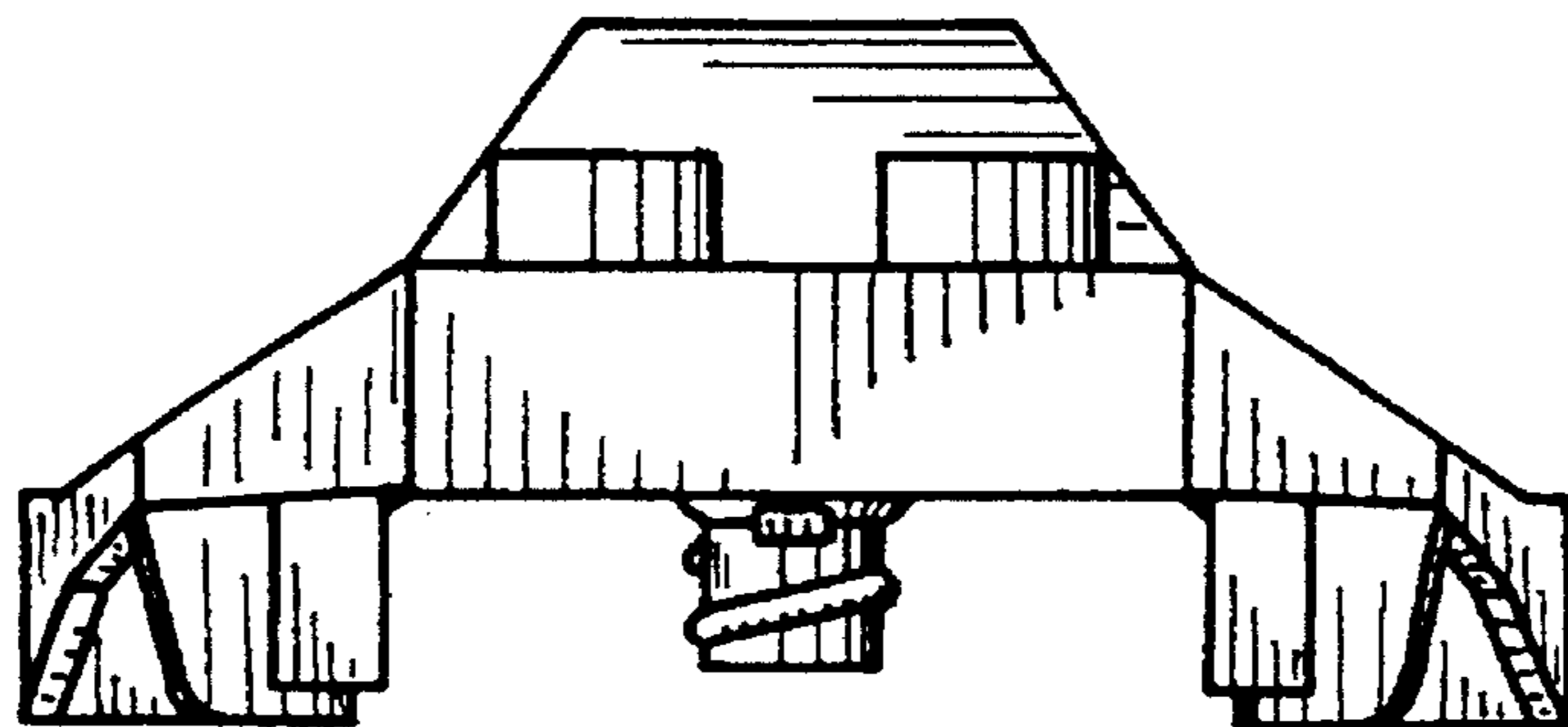


FIG. 5

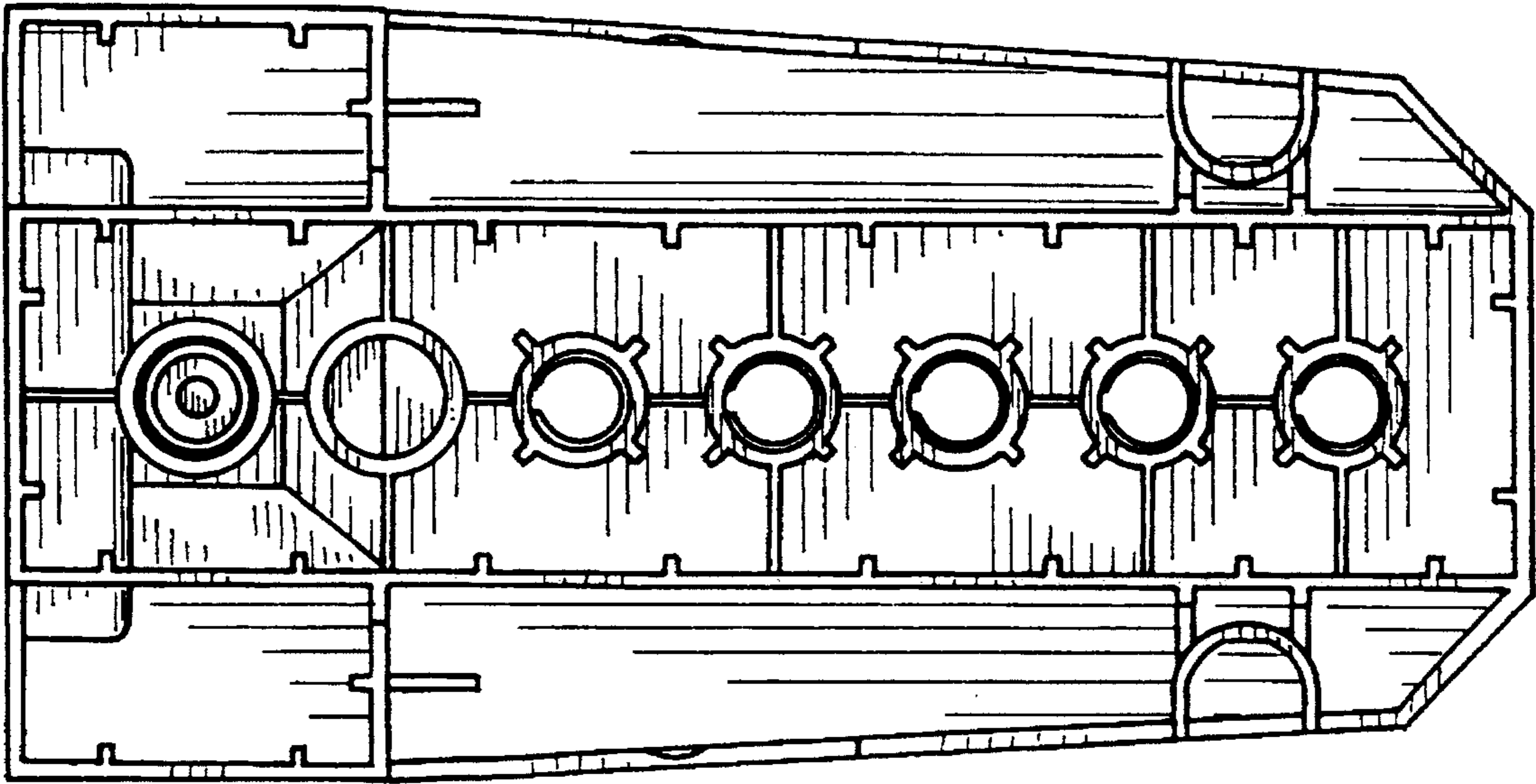


FIG. 6

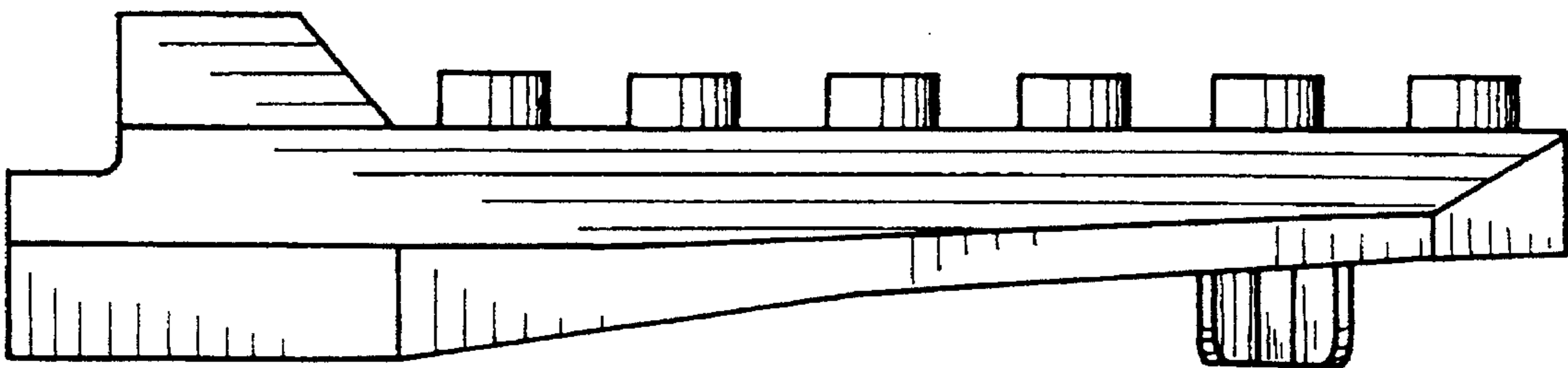


FIG. 4

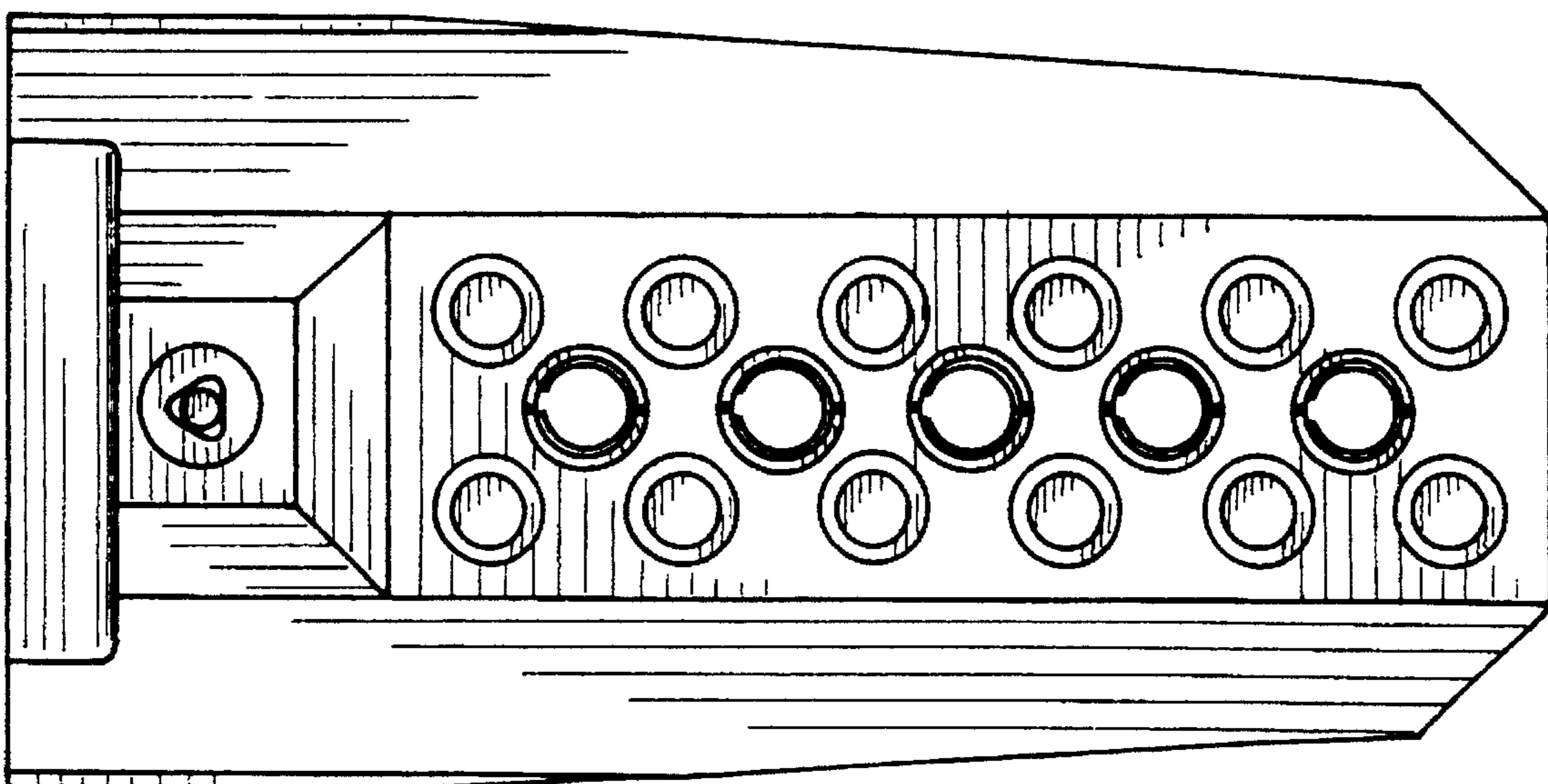


FIG. 7