



US00D375981S

# United States Patent [19]

Takahata et al.

[11] Patent Number: **Des. 375,981**

[45] Date of Patent: **\*\*Nov. 26, 1996**

[54] VIDEO GAME MACHINE WITH SEAL PRINTER

[75] Inventors: **Kenji Takahata**, Hino; **Tadahisa Sawano**, Hachiohji, both of Japan

[73] Assignee: **Casio Computer Co., Ltd.**, Tokyo, Japan

[\*\*] Term: **14 Years**

[21] Appl. No.: **48,429**

[22] Filed: **Dec. 28, 1995**

[52] U.S. Cl. .... **D21/48**

[58] Field of Search ..... D21/48, 13, 1; 273/148 B, 433-438, DIG. 28; D14/124, 125, 121, 217, 114; D18/50, 53, 56

[56] **References Cited**

**U.S. PATENT DOCUMENTS**

D. 333,686	3/1993	Barr et al. ....	D21/48
D. 349,520	8/1994	Iwakami .....	D21/48 X
D. 362,692	9/1995	Rissman et al. ....	D21/48 X
D. 363,869	10/1995	Oikawa .....	D21/13
5,192,082	3/1993	Inoue et al. ....	273/435
5,451,053	9/1995	Garrido .....	273/435 X

**FOREIGN PATENT DOCUMENTS**

0431723	6/1991	European Pat. Off. ....	273/435
0501456	9/1992	European Pat. Off. ....	273/435

**OTHER PUBLICATIONS**

Hong Kong Enterprise, Oct. 1992, p. 174.  
Hong Kong Enterprise, Oct. 1994, p. 137.

*Primary Examiner*—Prabhakar G. Deshmukh  
*Attorney, Agent, or Firm*—Frishauf, Holtz, Goodman, Langer & Chick

[57] **CLAIM**

The ornamental design for a video game machine with seal printer, as shown.

**DESCRIPTION**

FIG. 1 is a front elevational view of a video game machine with seal printer showing our new design; FIG. 2 is a right side elevational view thereof; FIG. 3 is a left side elevational view thereof; FIG. 4 is a top plan view thereof; FIG. 5 is a bottom plan view thereof; FIG. 6 is a rear elevational view thereof; and, FIG. 7 is a perspective view thereof.

**1 Claim, 2 Drawing Sheets**

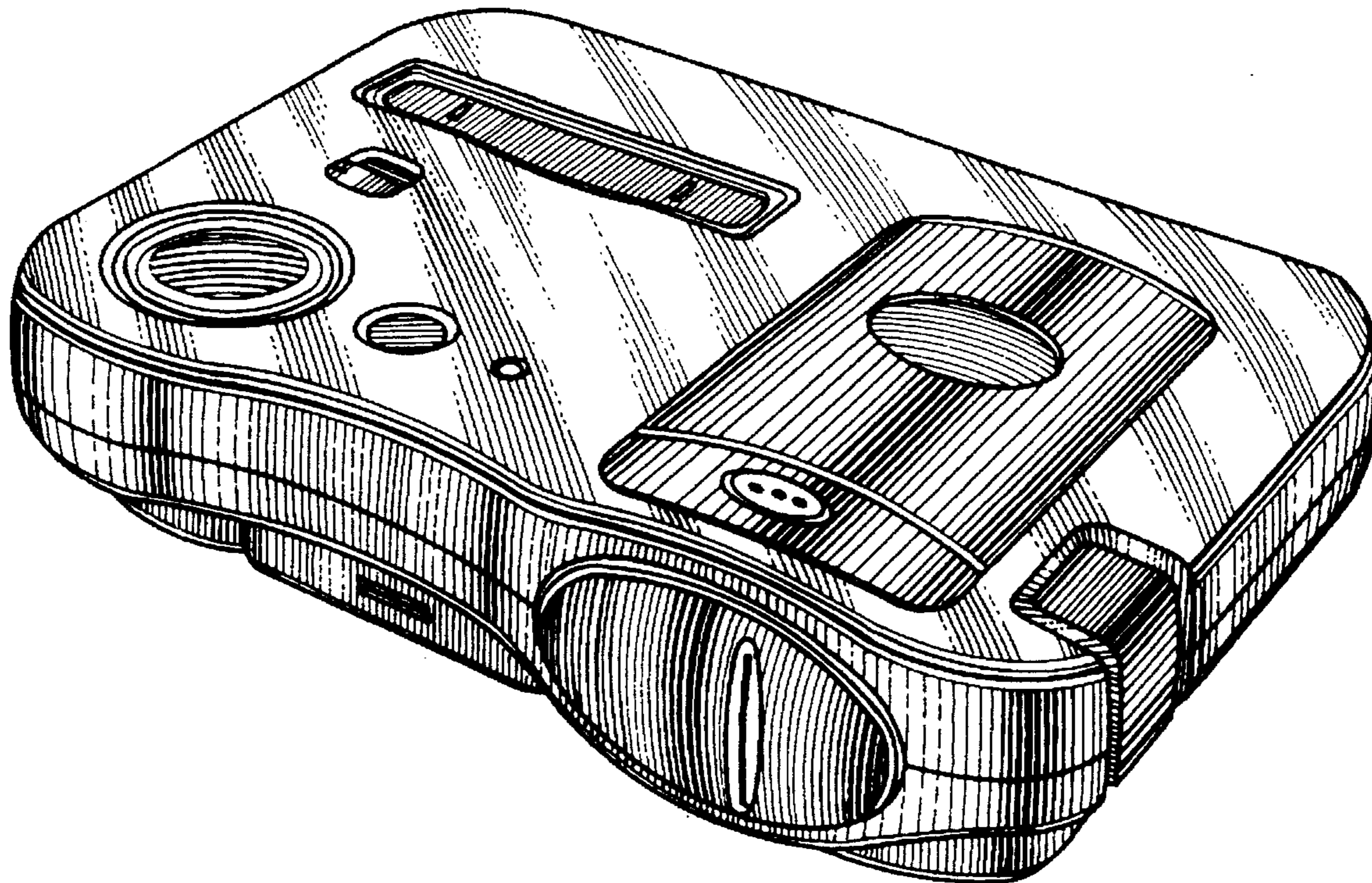




FIG. 4

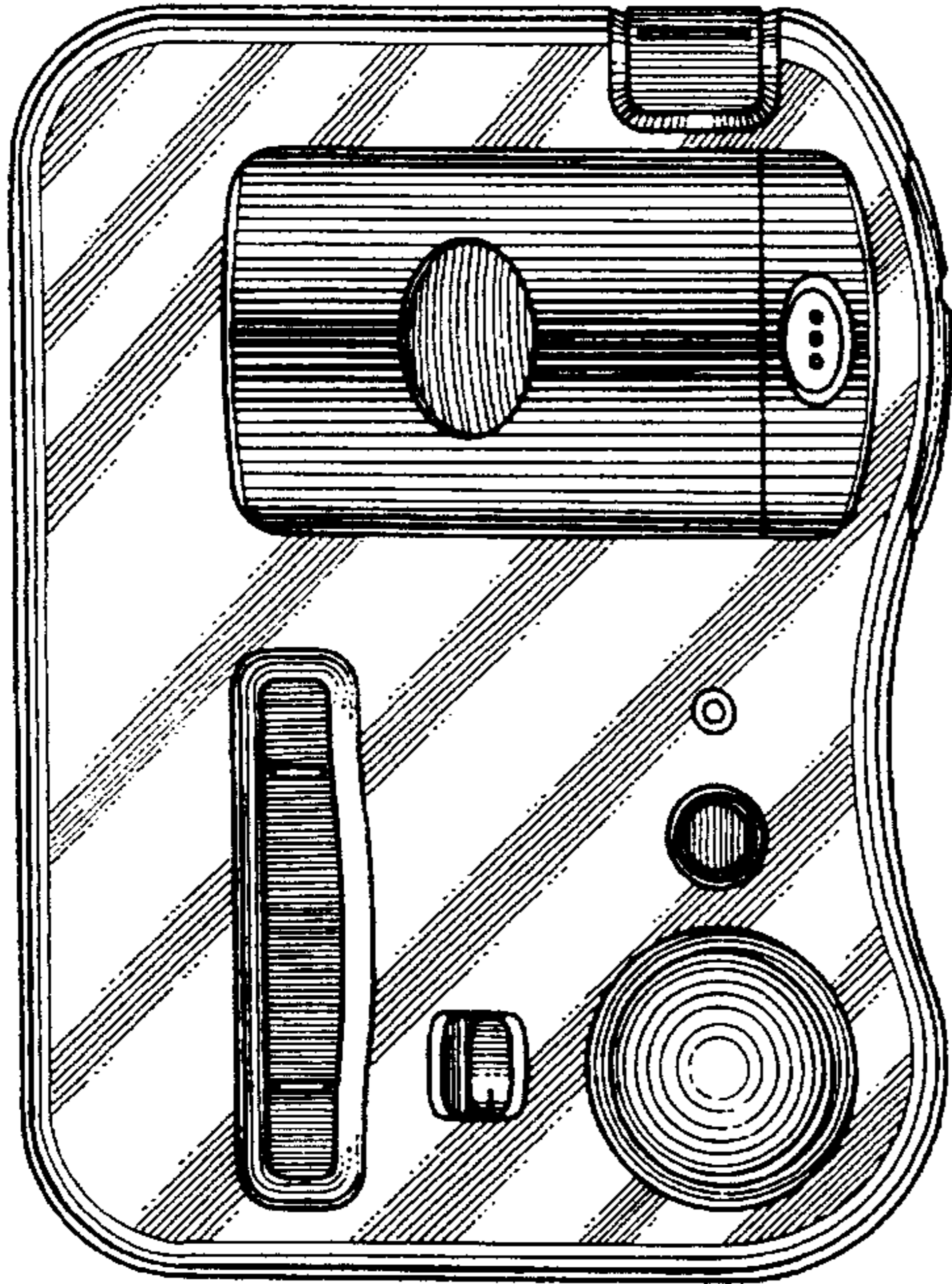


FIG. 1

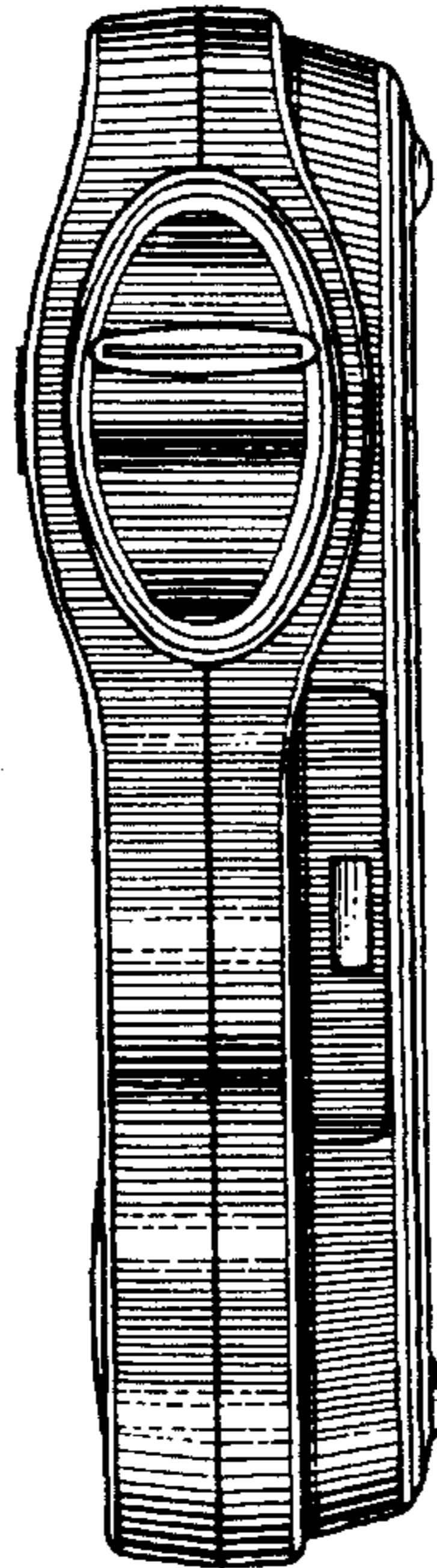


FIG. 6

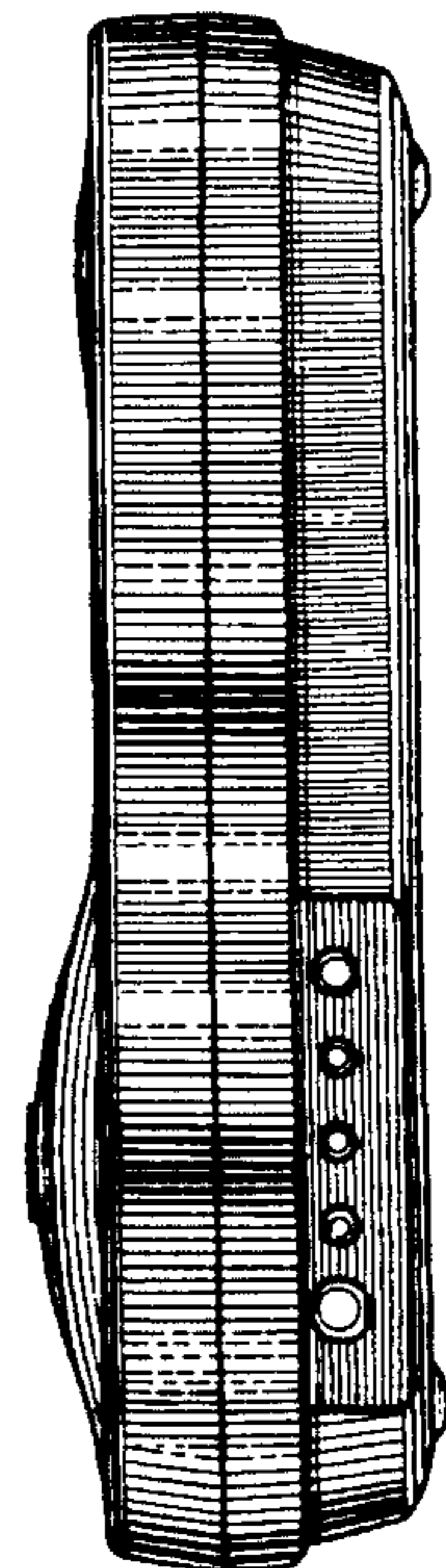


FIG. 5

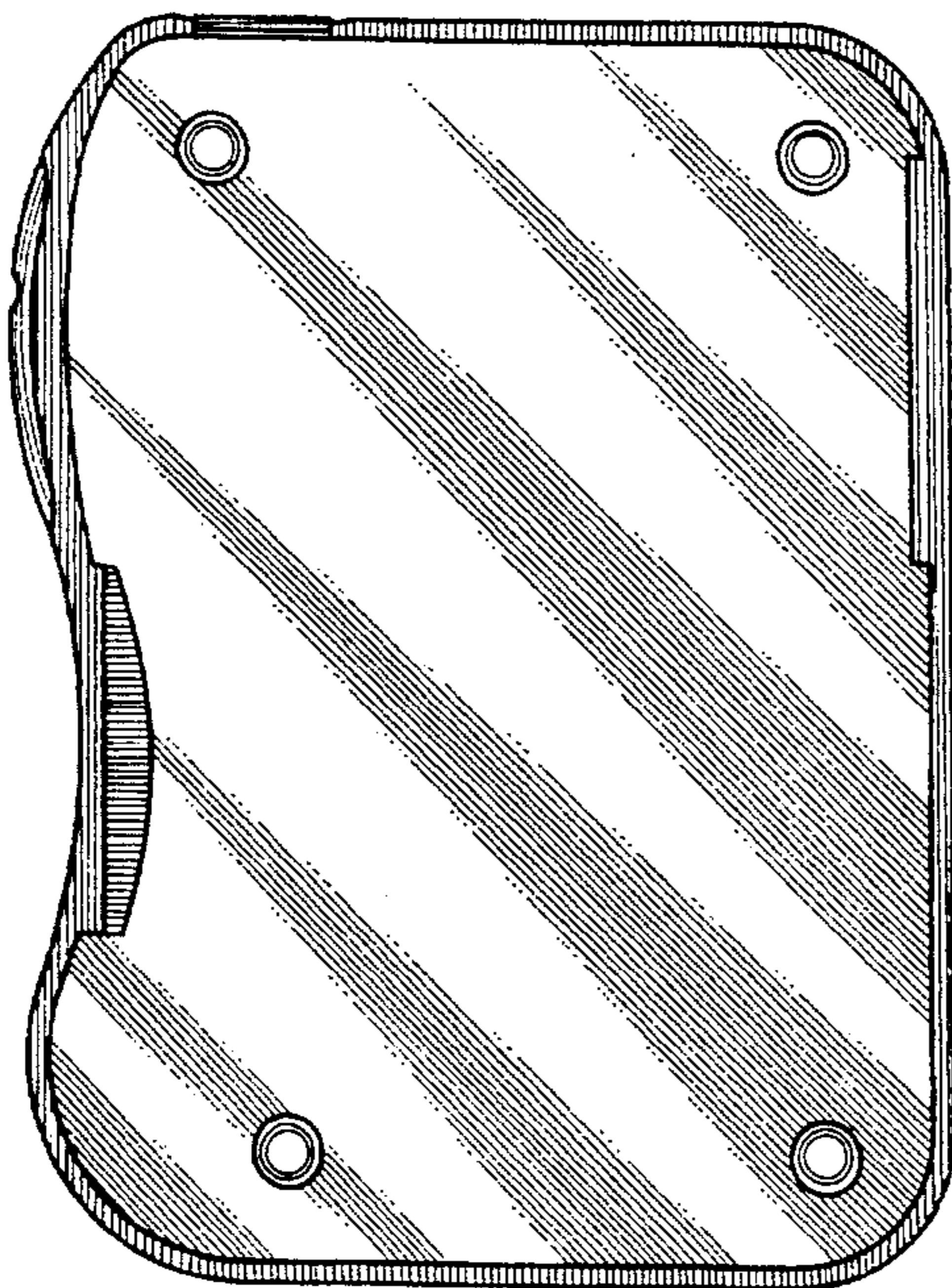


FIG. 3

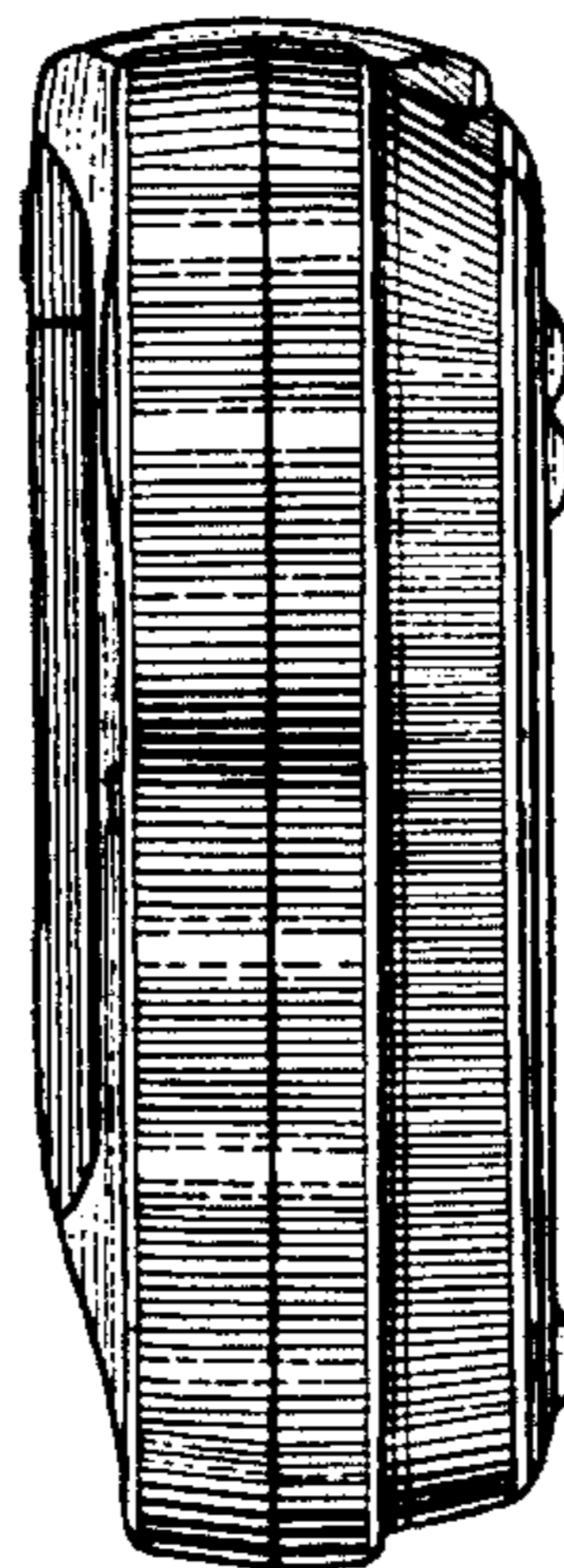


FIG. 2

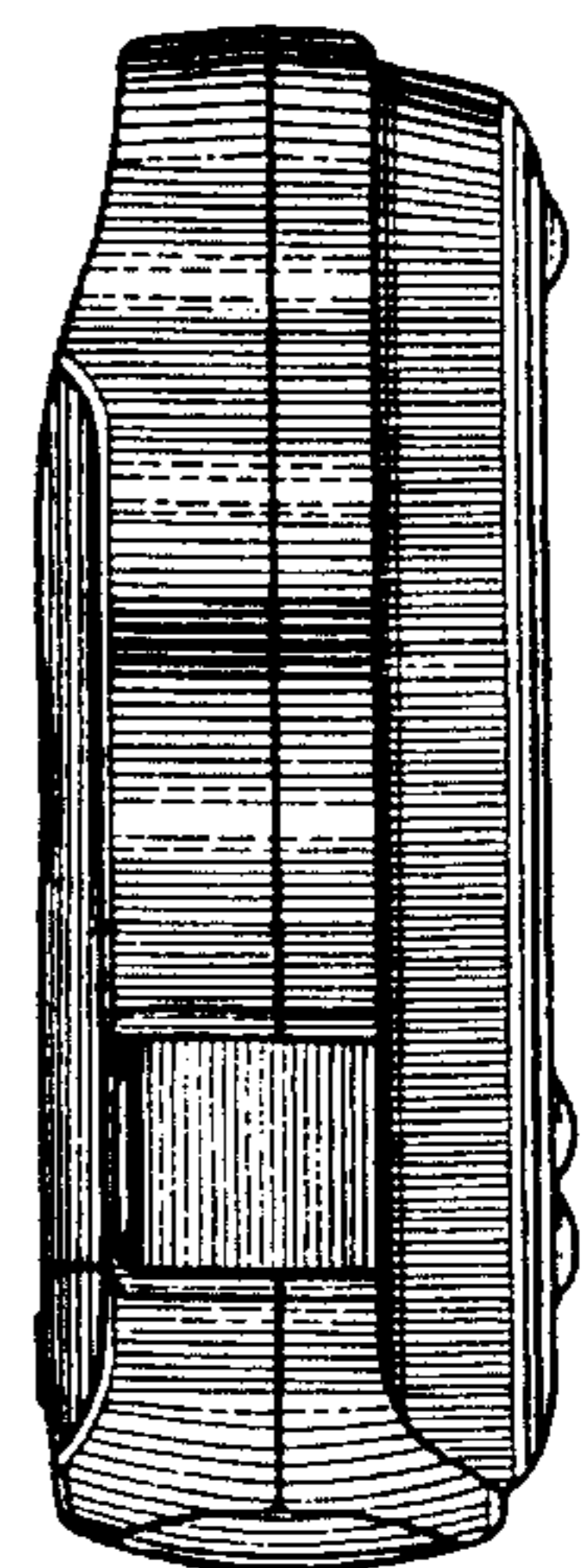




FIG. 7

