



US00D375970S

United States Patent [19] Harata

[11] **Patent Number: Des. 375,970**
[45] **Date of Patent: **Nov. 26, 1996**

[54] **VIDEO PROJECTOR**

[75] Inventor: **Tomohiro Harata**, Tokyo, Japan

[73] Assignee: **Sony Corporation**, Tokyo, Japan

[**] Term: **14 Years**

[21] Appl. No.: **32,259**

[22] Filed: **Dec. 12, 1994**

[30] **Foreign Application Priority Data**

Jul. 15, 1994 [JP] Japan 6-21268

[52] **U.S. Cl.** **D16/225; D16/221**

[58] **Field of Search** D16/221, 225,
D16/229, 230, 232, 200-205; 353/115,
119, 63-66, 122, DIG. 3, DIG. 4

[56] **References Cited**

U.S. PATENT DOCUMENTS

D. 167,874 9/1952 Wolk D16/225
D. 178,719 9/1956 Bersudsky D16/232
D. 184,949 4/1959 Mackay D16/221

D. 198,602 7/1964 Burgess D16/205
D. 199,337 10/1964 Taylor D16/232
3,117,489 1/1964 Wilton 353/66

Primary Examiner—Prabhakar G. Deshmukh
Assistant Examiner—Adir Aronovich
Attorney, Agent, or Firm—Beveridge, DeGrandi Weilacher
& Young, L.L.P.

[57] **CLAIM**

The ornamental design for a video projector, as shown and described.

DESCRIPTION

FIG. 1 is a top and front perspective view of a video projector showing my new design;
FIG. 2 is a top and rear perspective view thereof;
FIG. 3 is a front elevational view thereof;
FIG. 4 is a left side elevational view thereof;
FIG. 5 is a right side elevational view thereof;
FIG. 6 is a top plan view thereof; and,
FIG. 7 is a bottom plan view thereof.

1 Claim, 3 Drawing Sheets

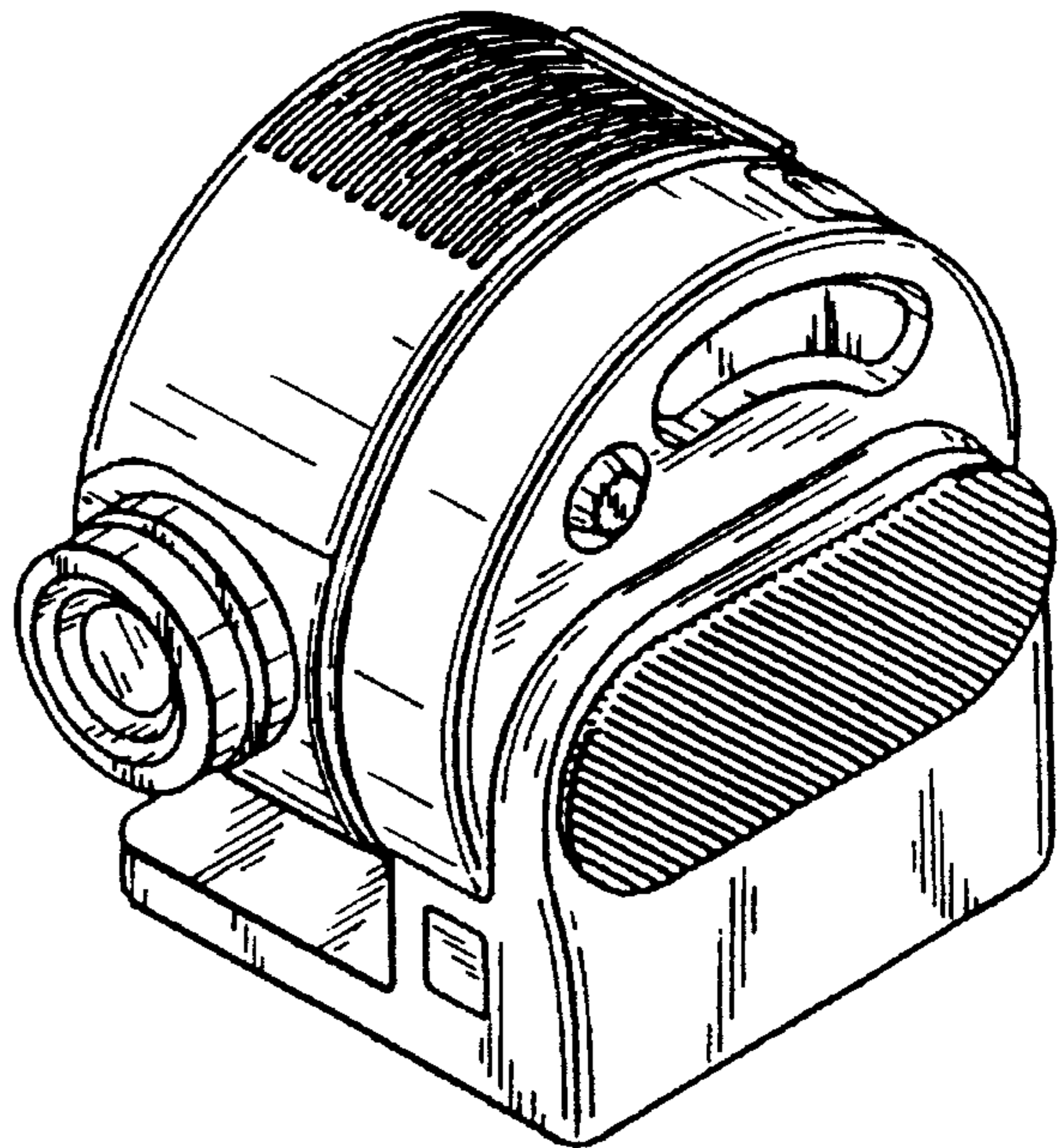
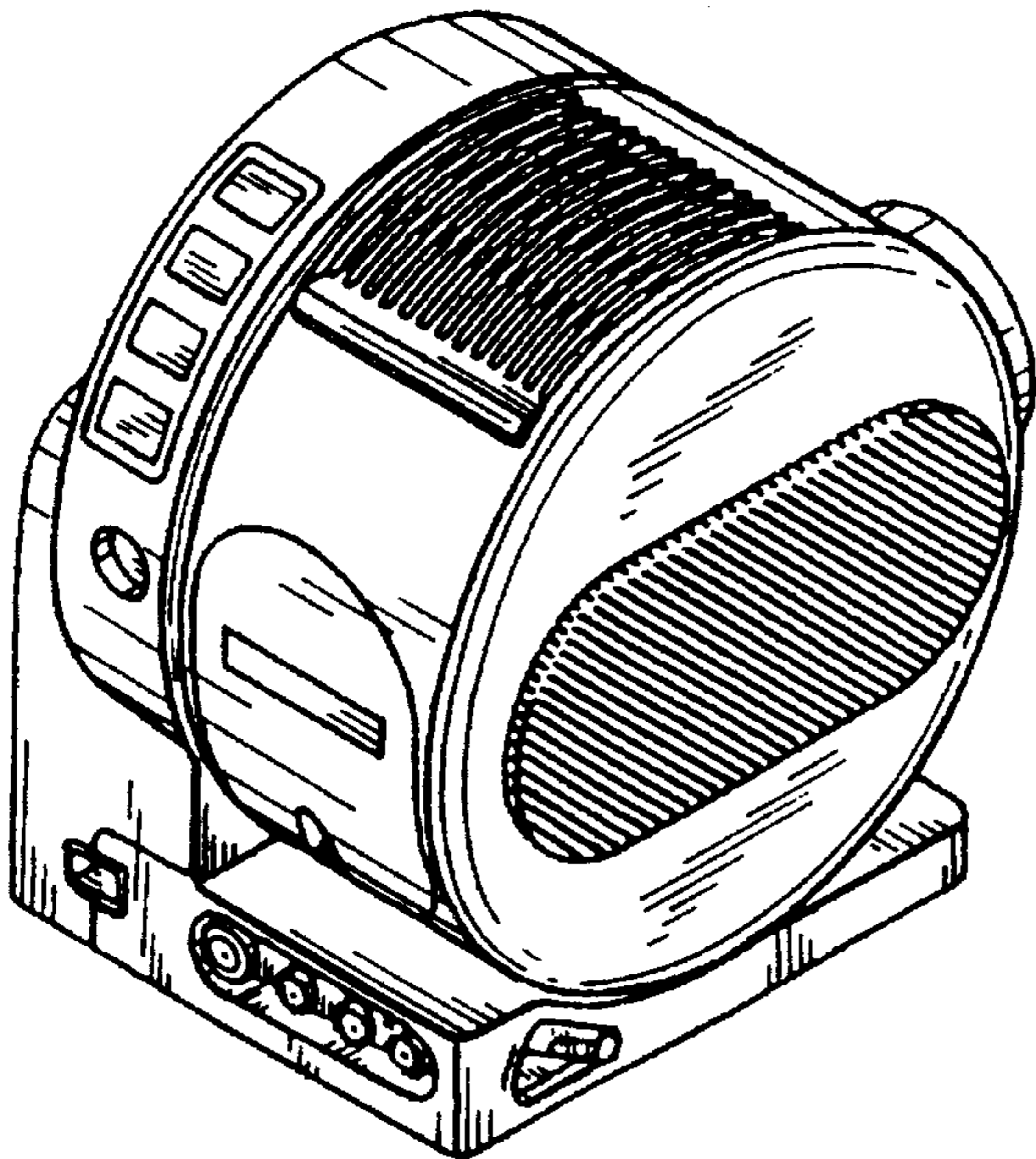


FIG. 1

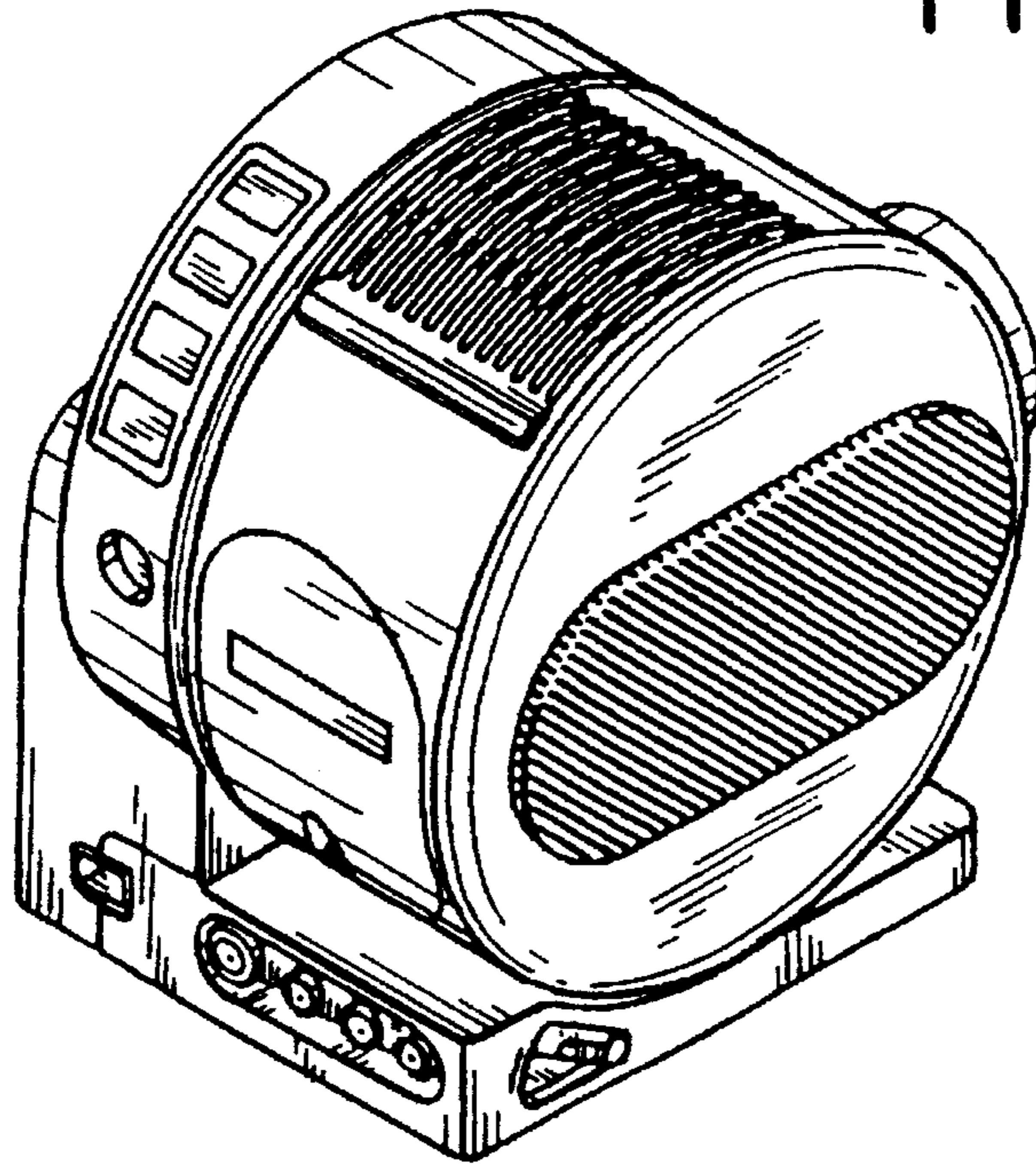


FIG. 2

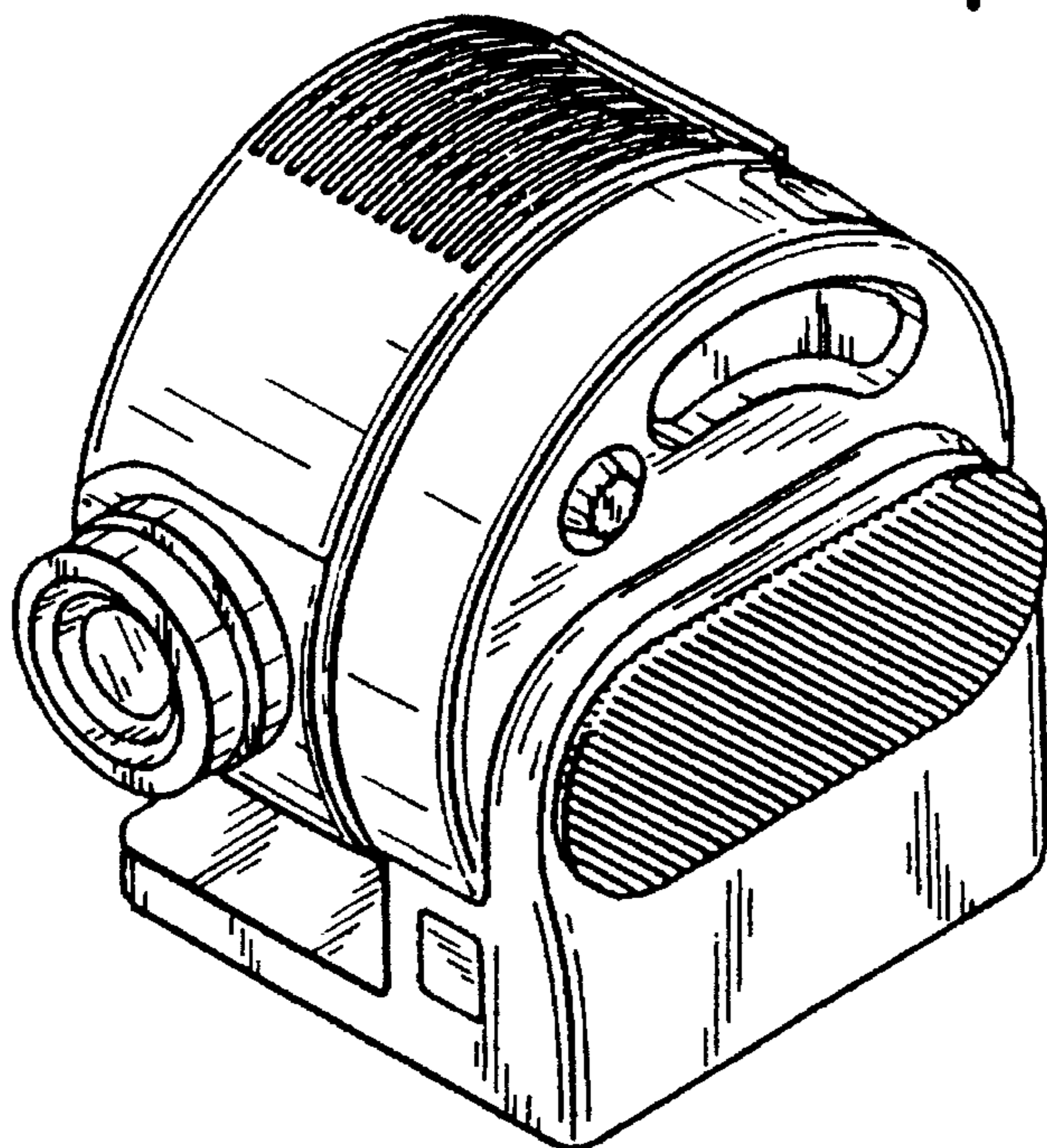


FIG. 3

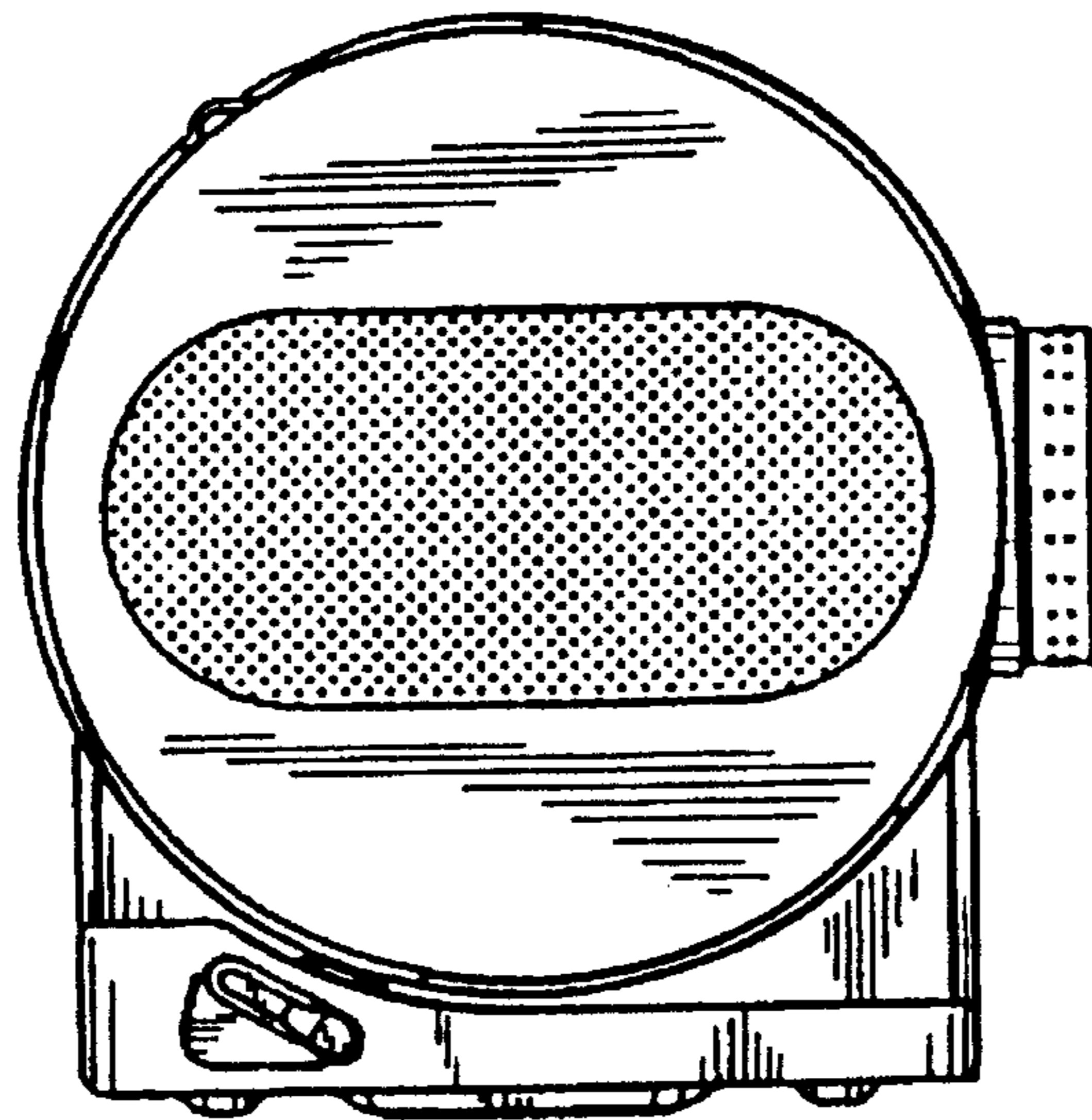


FIG. 4

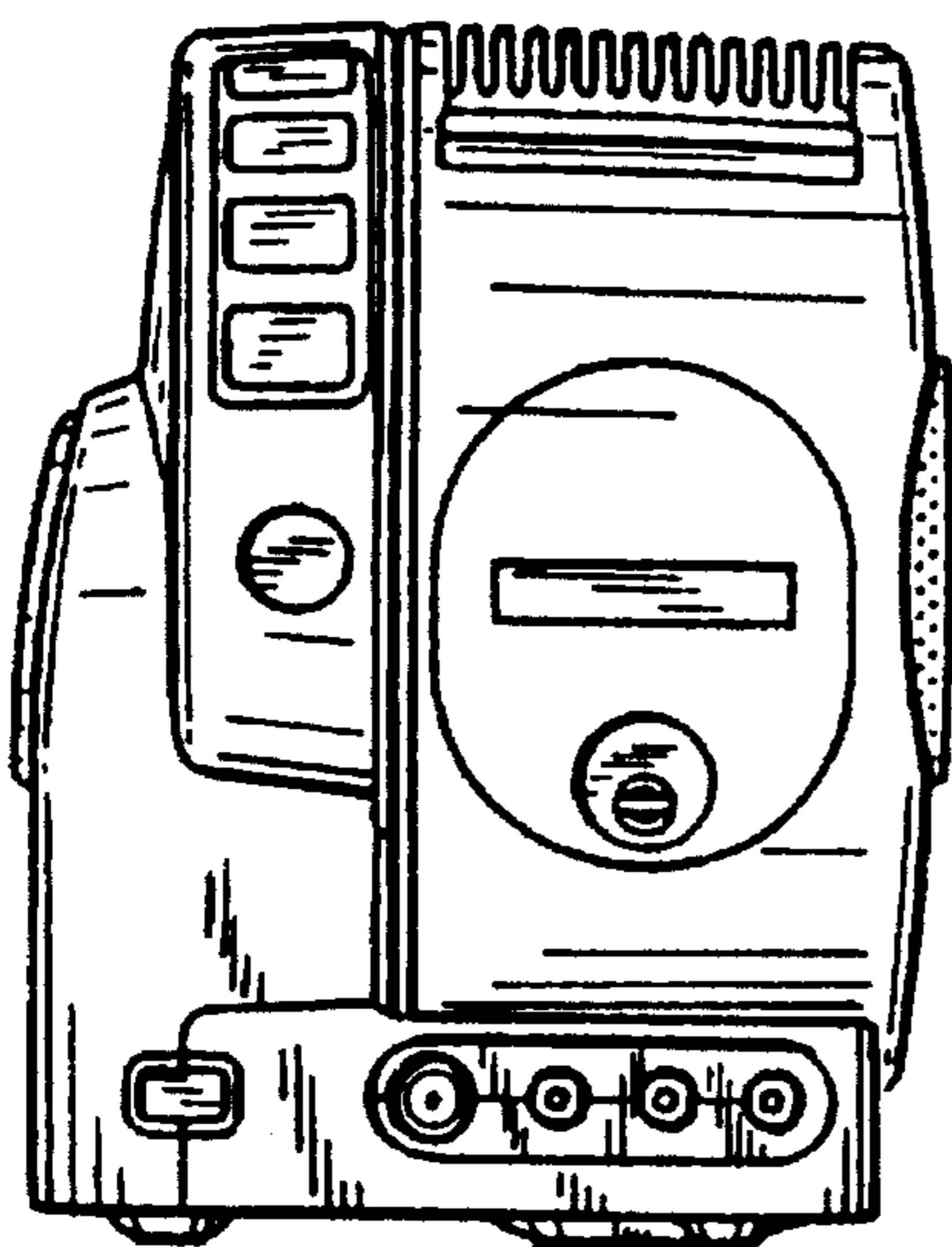


FIG. 5

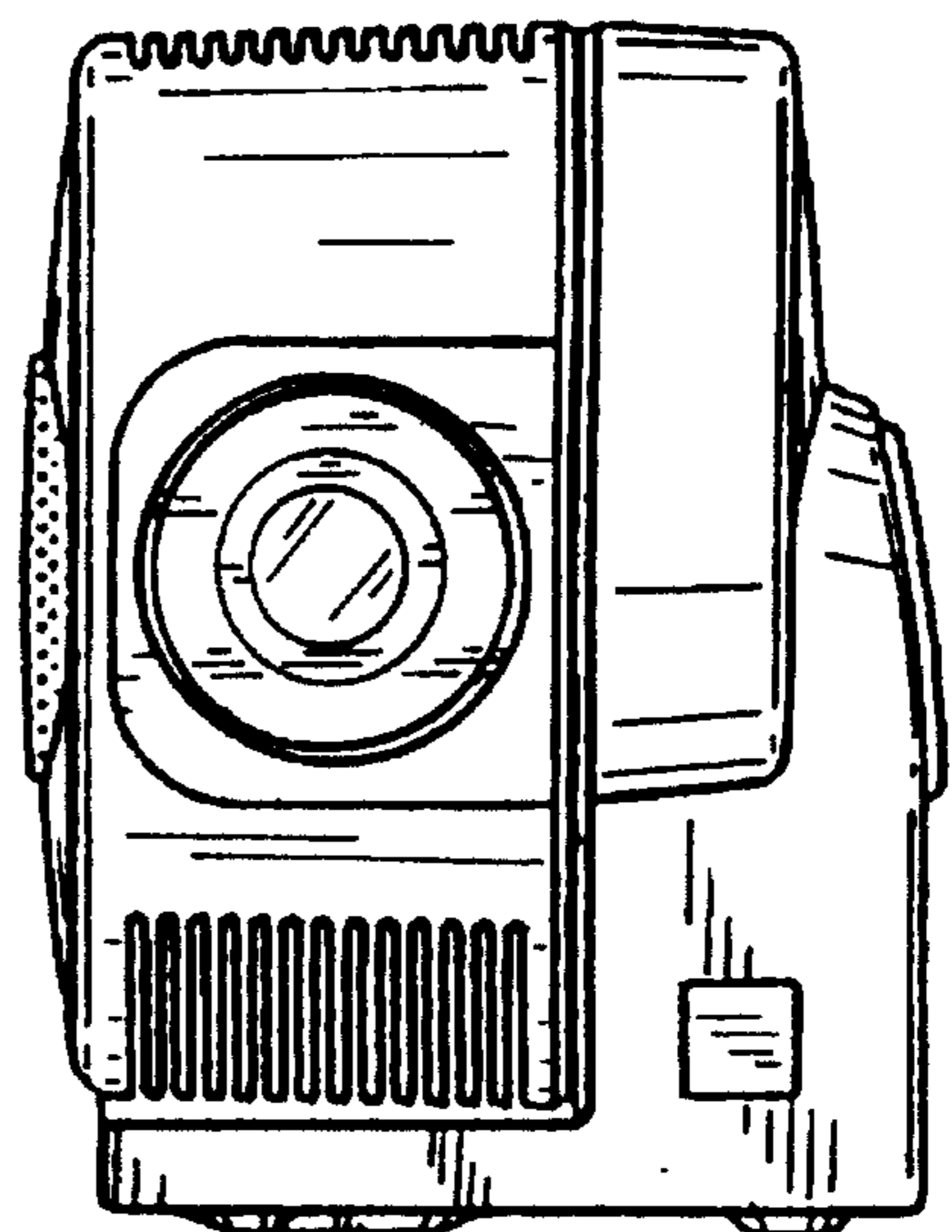


FIG. 6

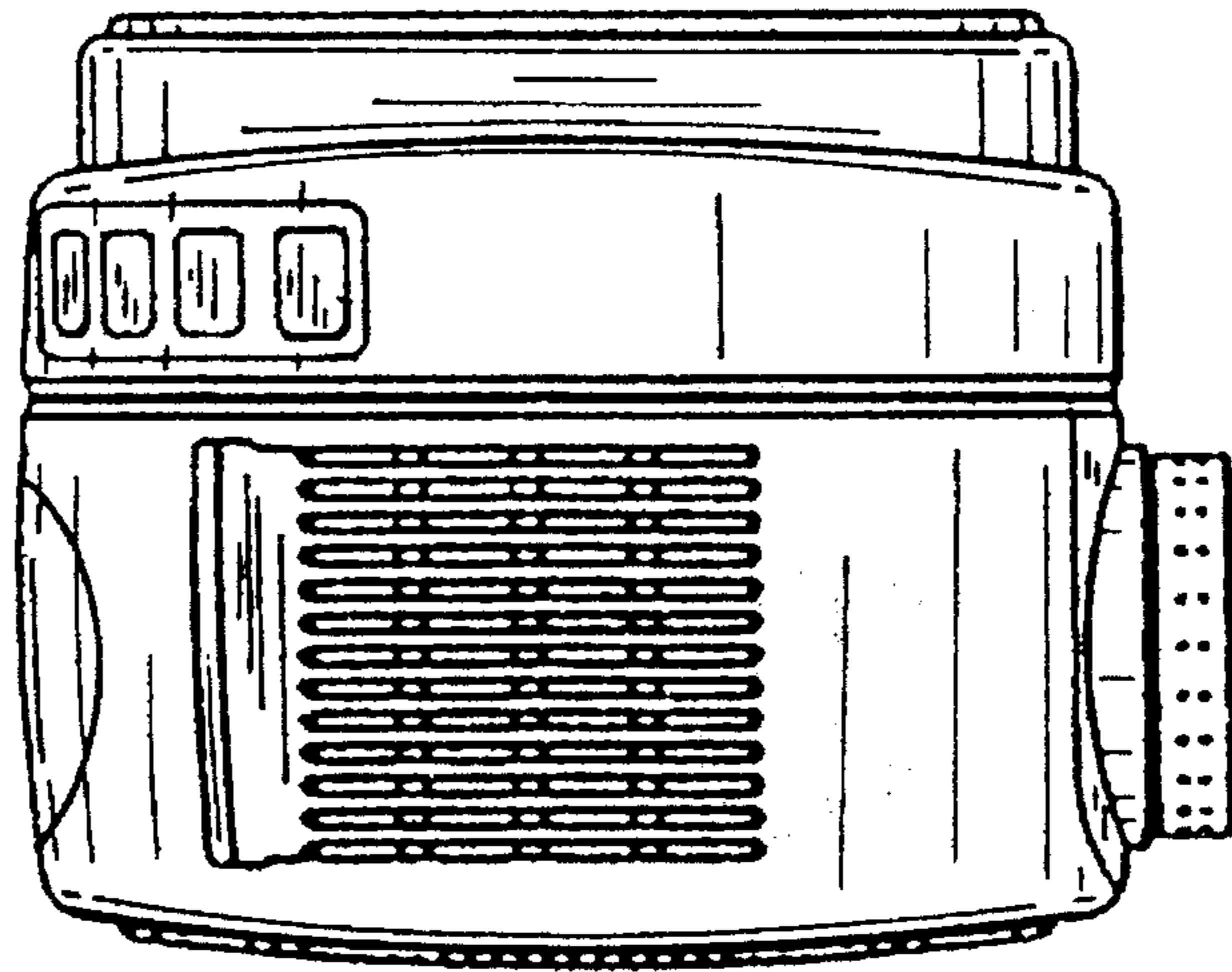


FIG. 7

