



US00D375962S

# United States Patent [19]

## Wong

[11] **Patent Number:** **Des. 375,962**

[45] **Date of Patent:** **\*\*Nov. 26, 1996**

[54] **AIR COMPRESSOR**

[75] Inventor: **Paul W. K. Wong**, New Territories, Hong Kong

[73] Assignee: **Good Hope Industries Ltd.**, Hong Kong

[\*\*] Term: **14 Years**

[21] Appl. No.: **31,499**

[22] Filed: **Nov. 29, 1994**

### [30] Foreign Application Priority Data

Aug. 23, 1994 [GB] United Kingdom ..... 2041220

[52] U.S. Cl. .... **D15/9**

[58] Field of Search ..... D15/7-9.2; 417/234-235, 417/360, 415; 248/645; D26/38

### [56] References Cited

#### U.S. PATENT DOCUMENTS

D. 277,675 2/1985 Hung ..... D15/9

D. 295,754	5/1988	Wang	.....	D15/9
D. 296,104	6/1988	Hung	.....	D15/9
D. 327,482	6/1992	Wang	.....	D15/7
D. 352,295	11/1994	Morgan	.....	D15/9
D. 356,800	3/1995	Chen	.....	D15/7

*Primary Examiner*—Ralf Seifert  
*Attorney, Agent, or Firm*—Blakely Sokoloff Taylor & Zafman

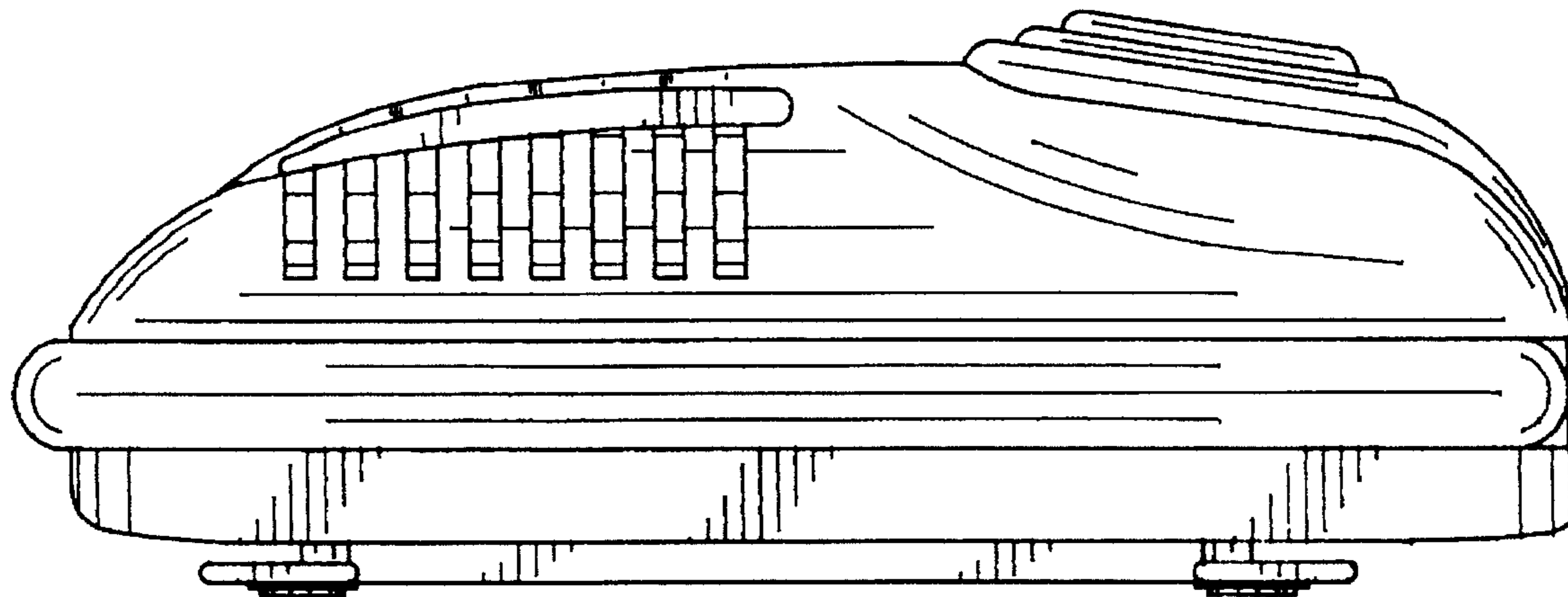
### [57] CLAIM

The ornamental design for air compressor, as shown and described.

### DESCRIPTION

FIG. 1 is a rear elevational view thereof;  
FIG. 2 bottom plan view thereof;  
FIG. 3 is a left side elevational view thereof;  
FIG. 4 is a right side elevational view thereof;  
FIG. 5 is a top plan view thereof; and,  
FIG. 6 is a front elevational view thereof.

**1 Claim, 3 Drawing Sheets**



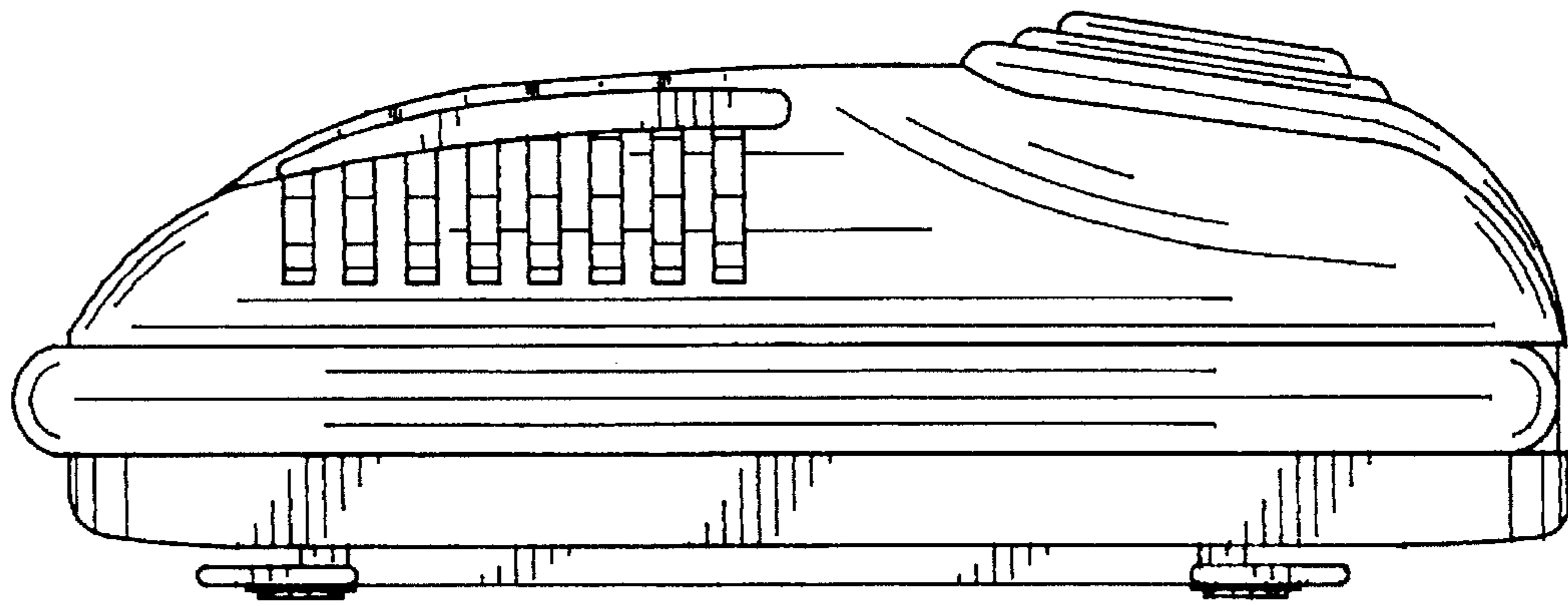


FIG. 1

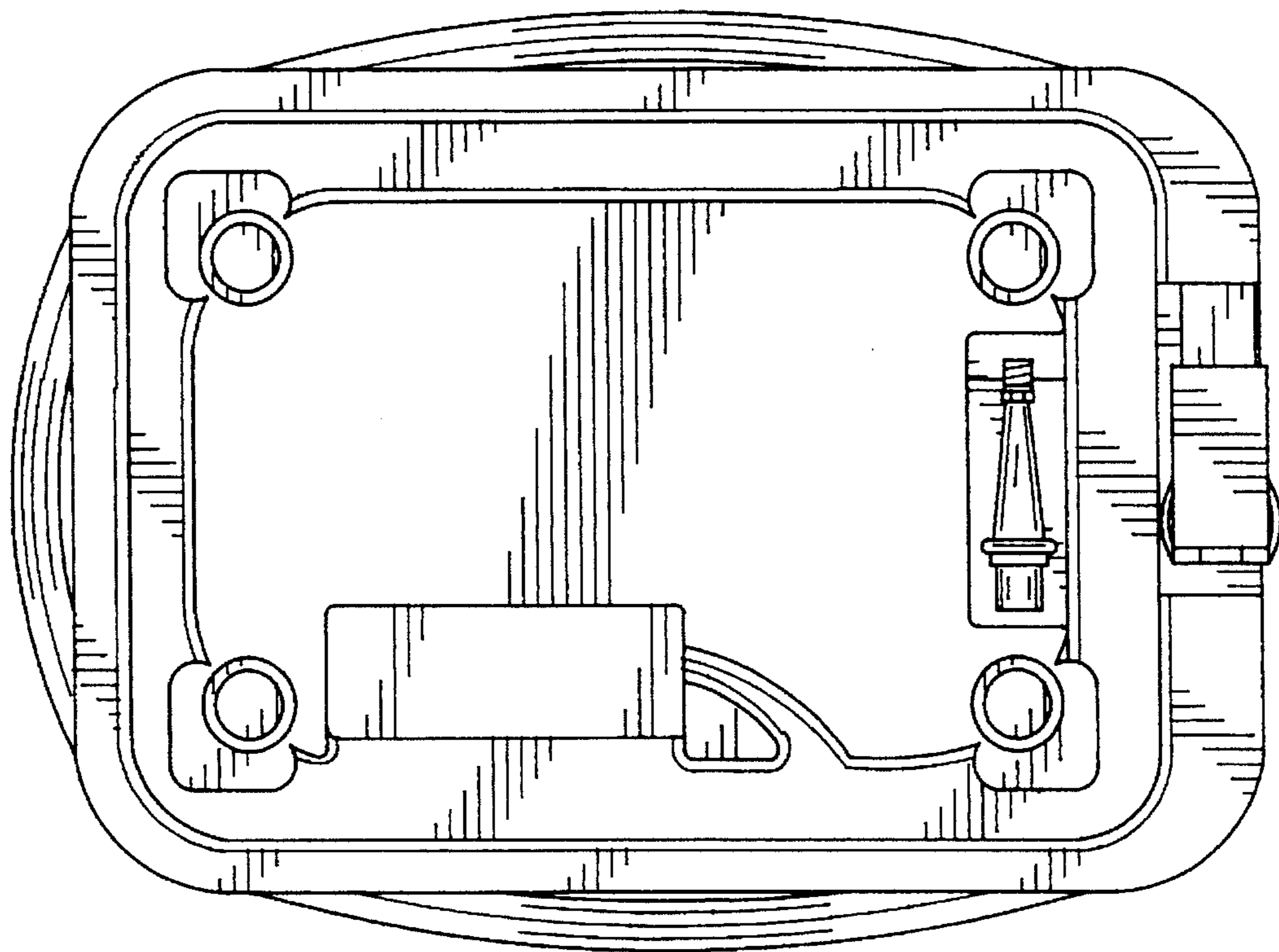


FIG. 2

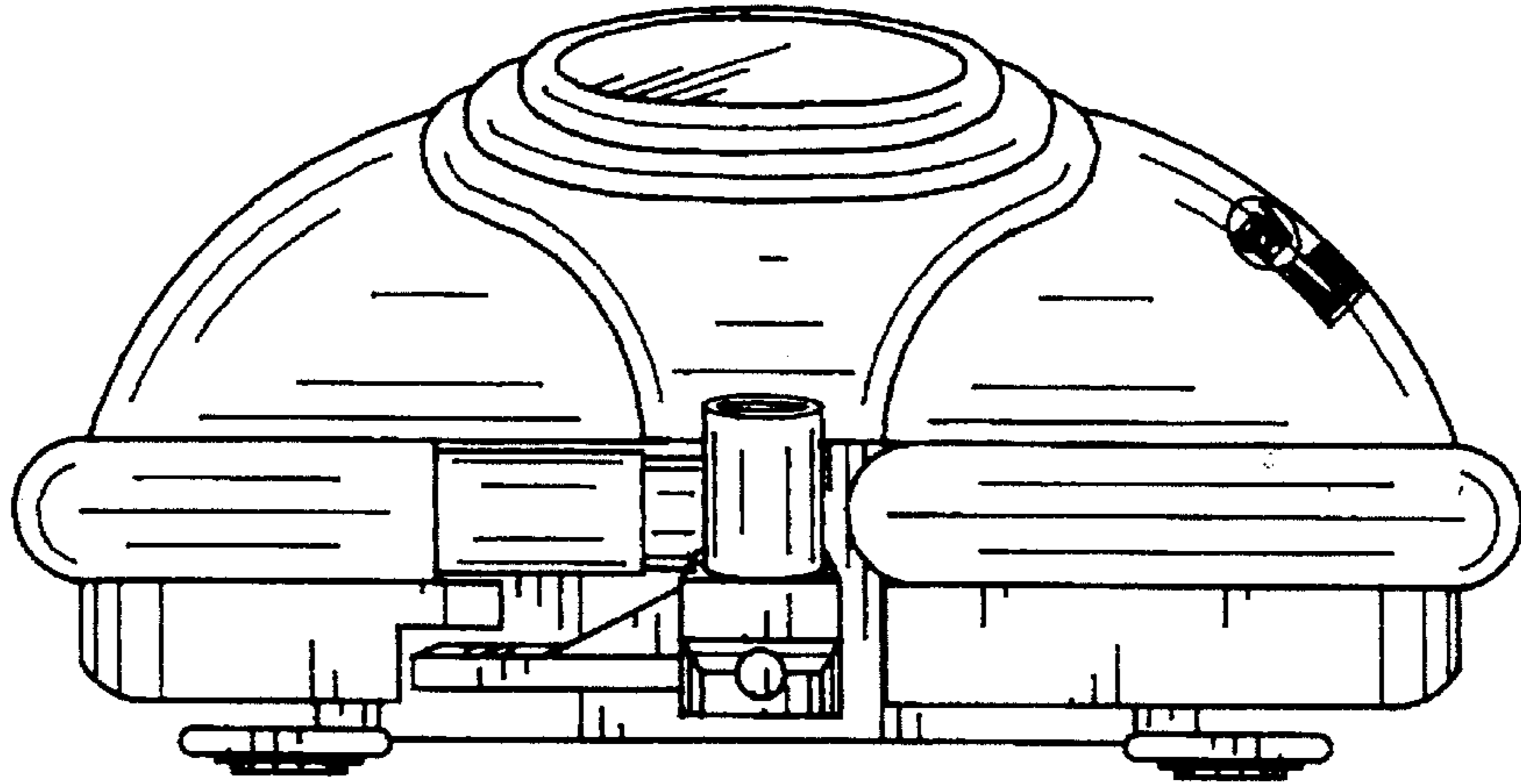


FIG. 3

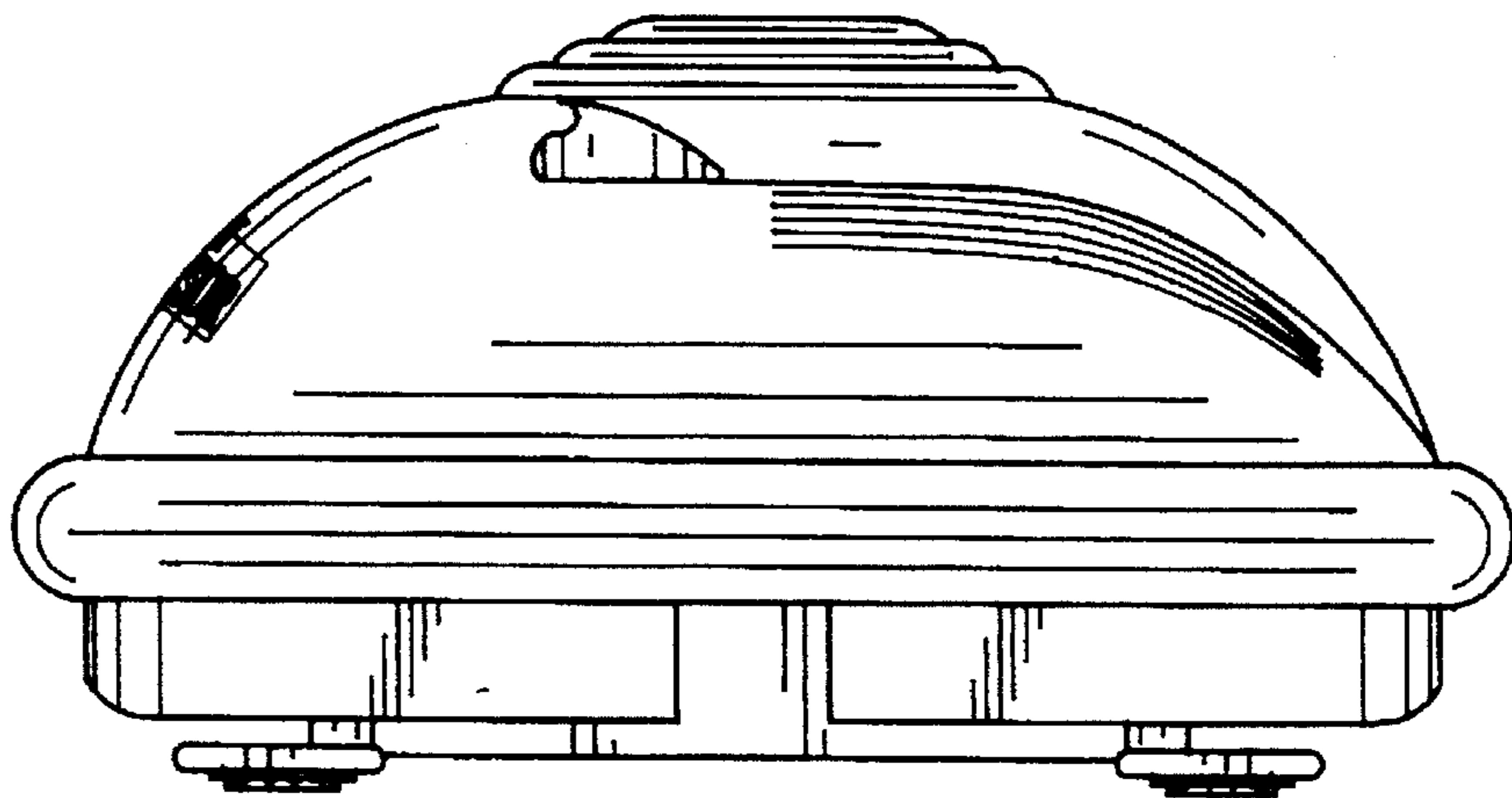


FIG. 4

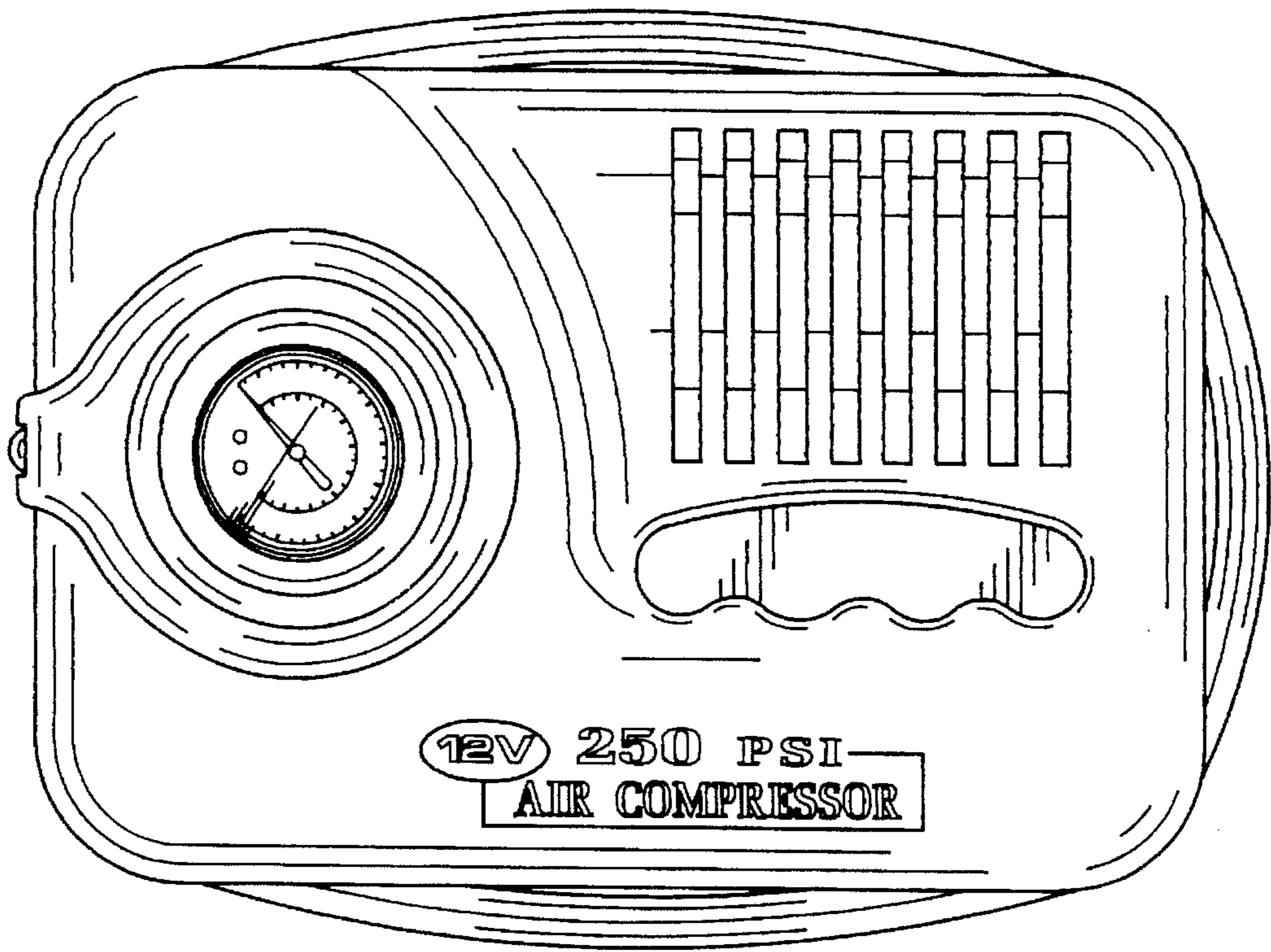


FIG. 5

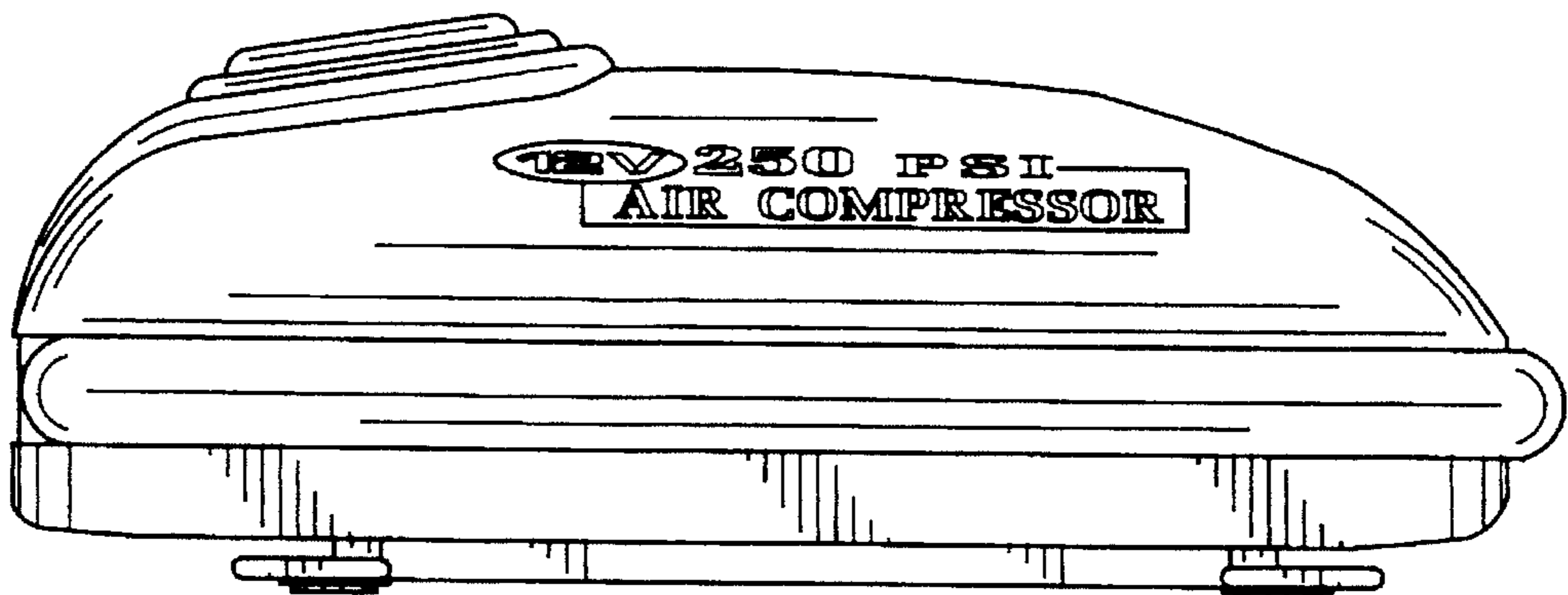


FIG. 6