



US00D375960S

# United States Patent [19]

[11] Patent Number: **Des. 375,960**

**Boright**

[45] Date of Patent: **\*\*Nov. 26, 1996**

[54] **LINK FOR ROTARY MOTION DEVICE**

4,665,644 5/1987 Vajs et al. .... D22/119

[76] Inventor: **Jerry N. Boright**, 2824 Grayson,  
Ferndale, Mich. 48220

*Primary Examiner*—Ralf Seifert  
*Attorney, Agent, or Firm*—Terry M. Gernstein

[\*\*] Term: **14 Years**

[57] **CLAIM**

[21] Appl. No.: **31,249**

The ornamental design for a link for rotary motion device,  
as shown and described.

[22] Filed: **Nov. 18, 1994**

[52] U.S. Cl. .... **D15/5**

[58] Field of Search ..... D15/1-5; D10/46;  
D22/119

### DESCRIPTION

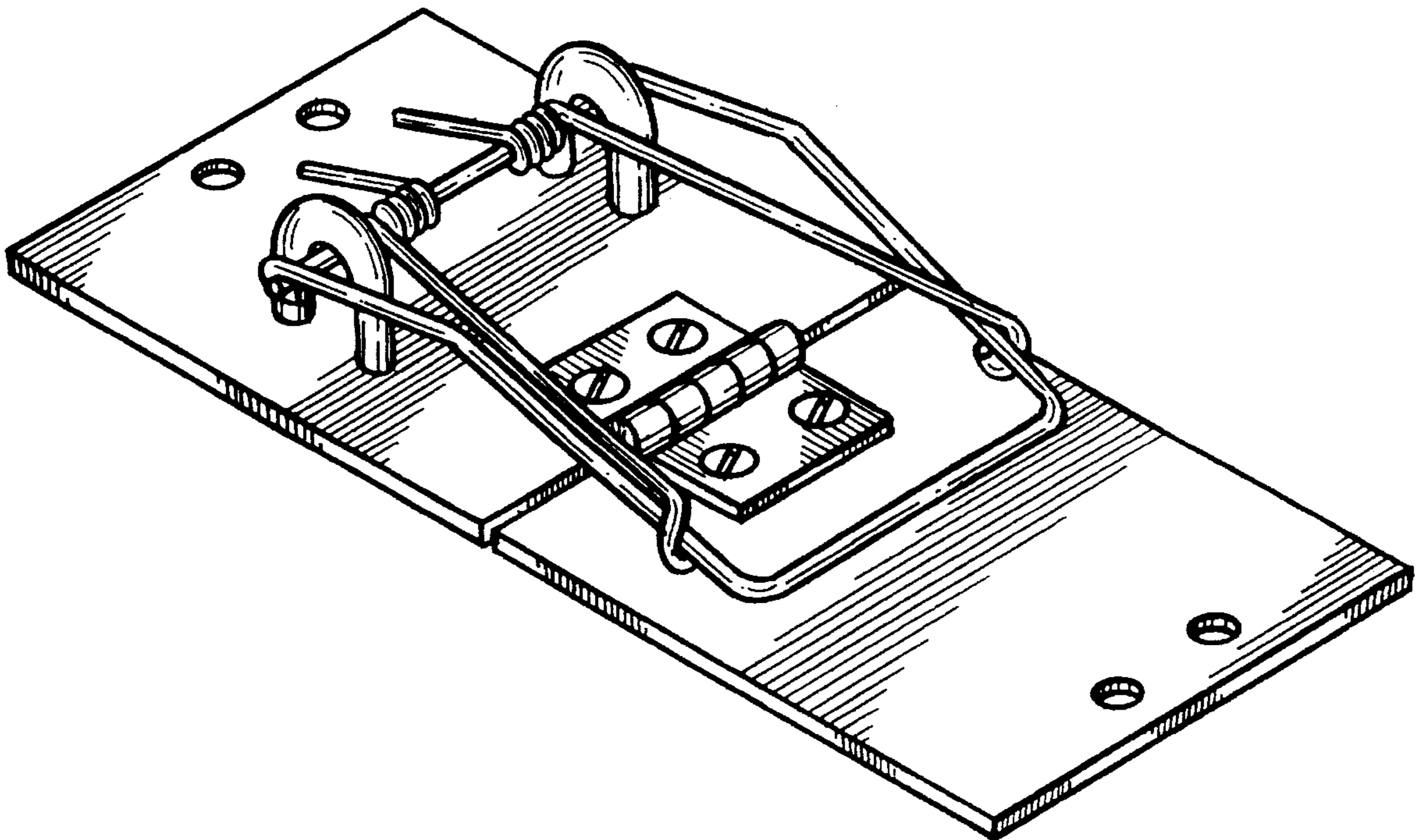
FIG. 1 is a front, top and side perspective view of the link for rotary motion device showing my new design; FIG. 2 is a front elevational view thereof; FIG. 3 is a rear elevational view thereof; FIG. 4 is a side elevational view thereof, the side opposite being a mirror image of the side shown in FIG. 4; FIG. 5 is a top plan view thereof; and, FIG. 6 is a bottom plan view thereof.

### [56] References Cited

#### U.S. PATENT DOCUMENTS

D. 267,966	2/1983	Dushey	.....	D22/119
D. 275,511	9/1984	Nagel	.....	D22/119
D. 281,059	10/1985	Levine	.....	D22/119
D. 341,093	11/1993	Smith et al.	.....	D10/46
1,722,857	7/1929	Ramsey et al.	.....	43/83

**1 Claim, 3 Drawing Sheets**



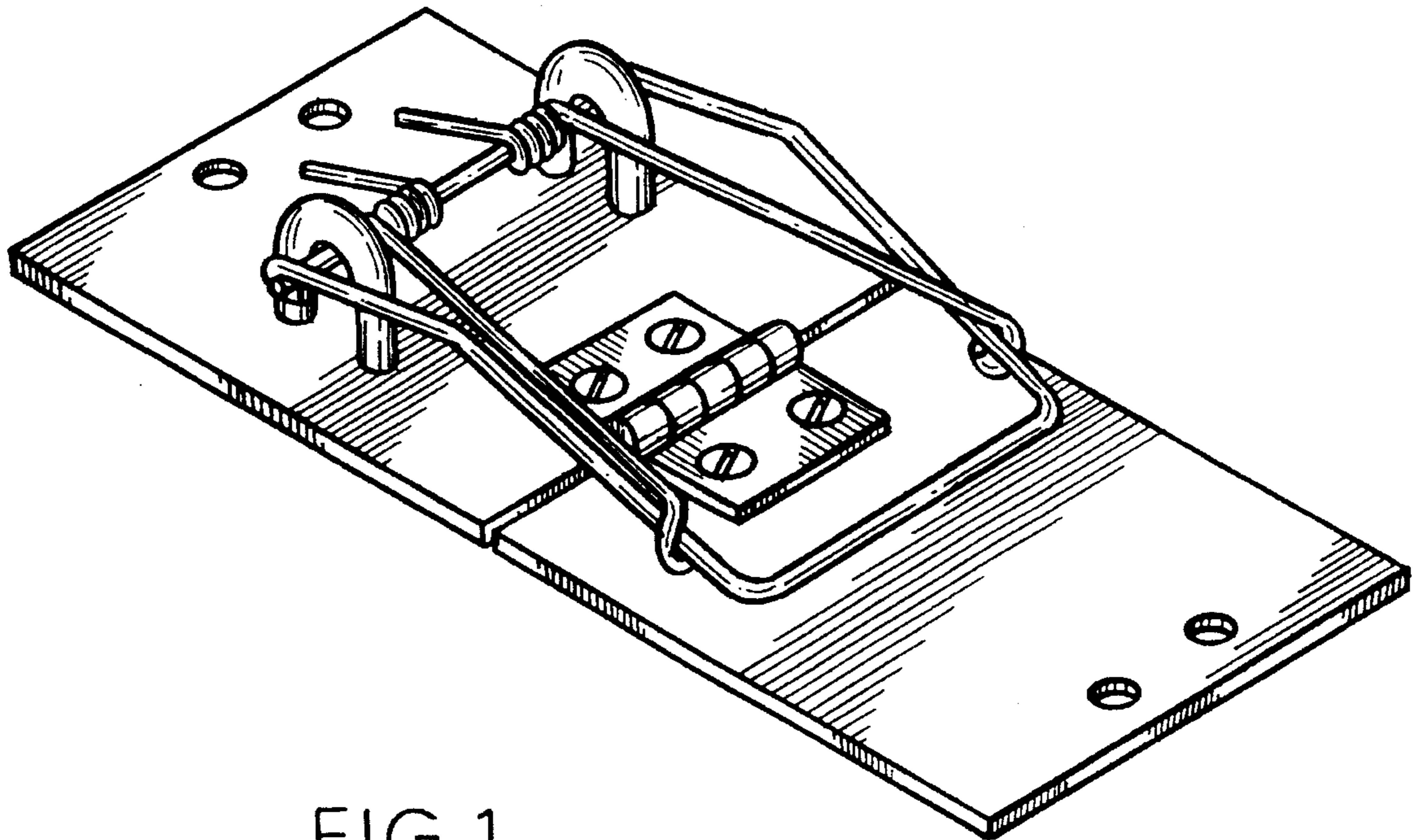


FIG. 1.

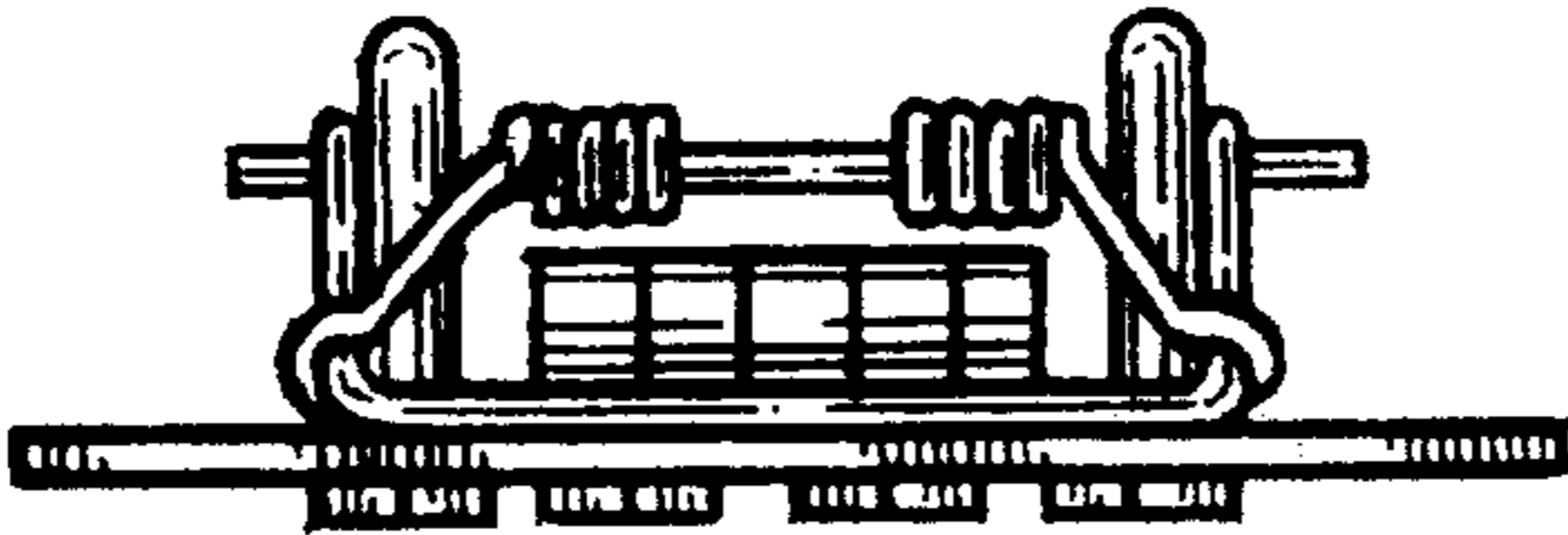


FIG. 2.

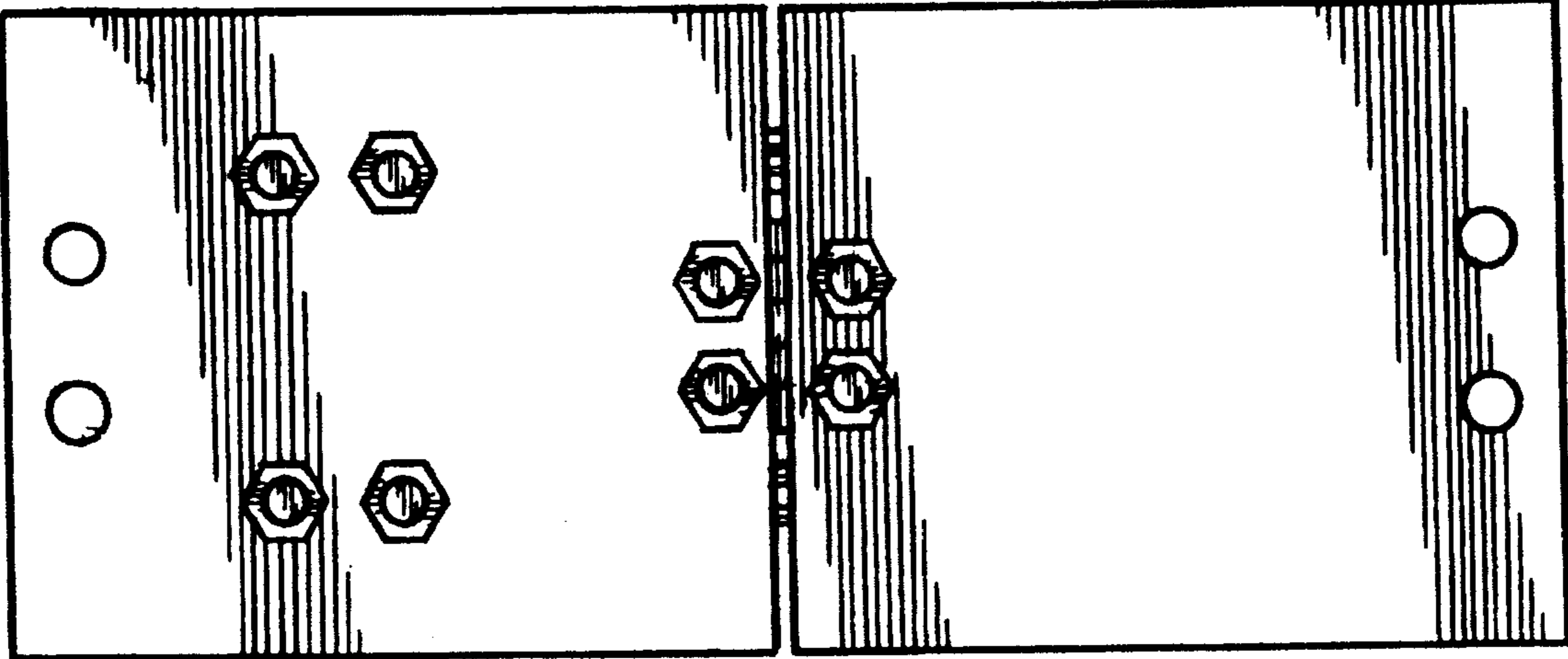


FIG. 6

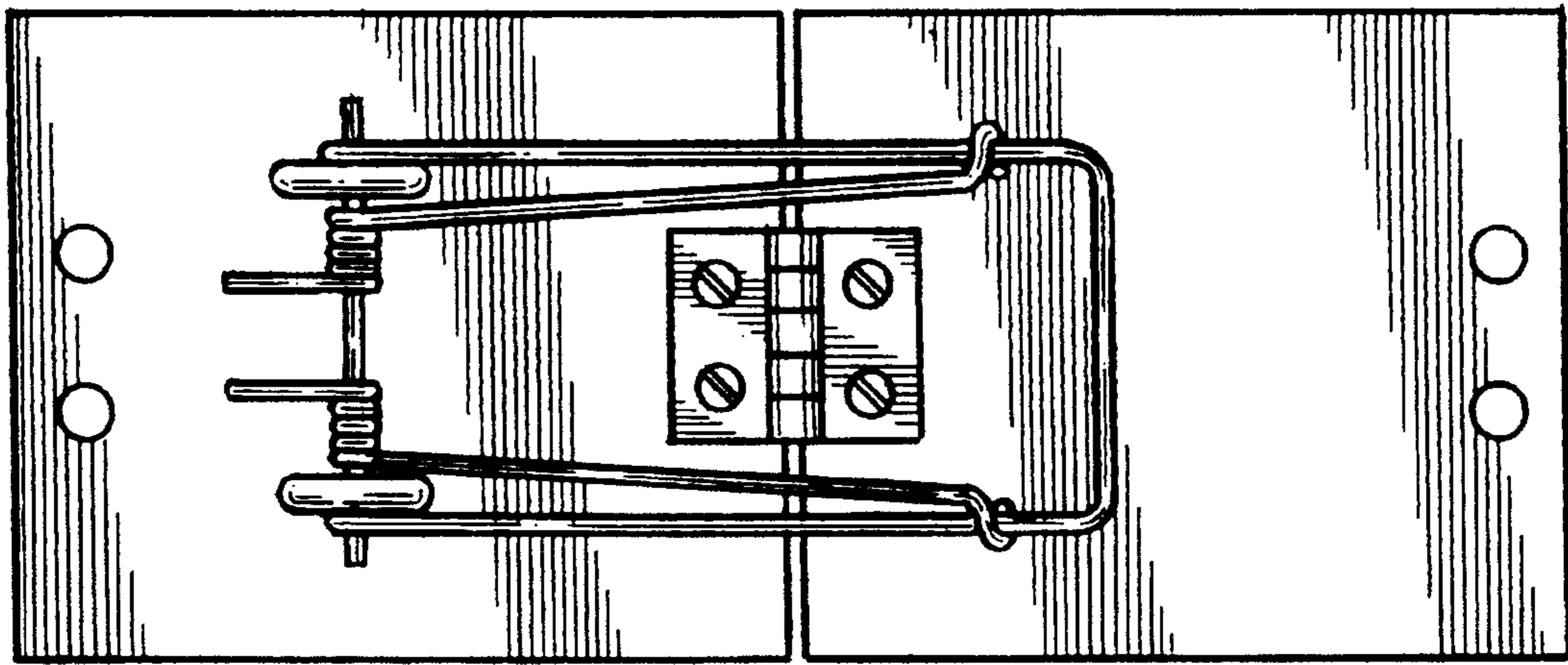


FIG. 5.

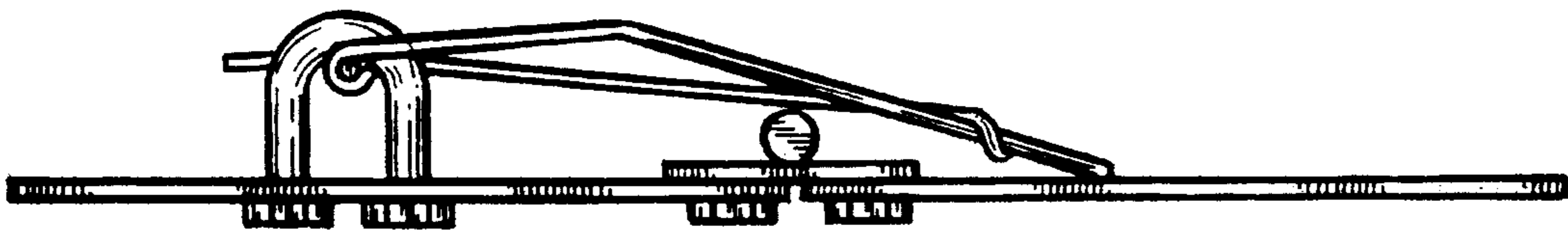


FIG. 4.

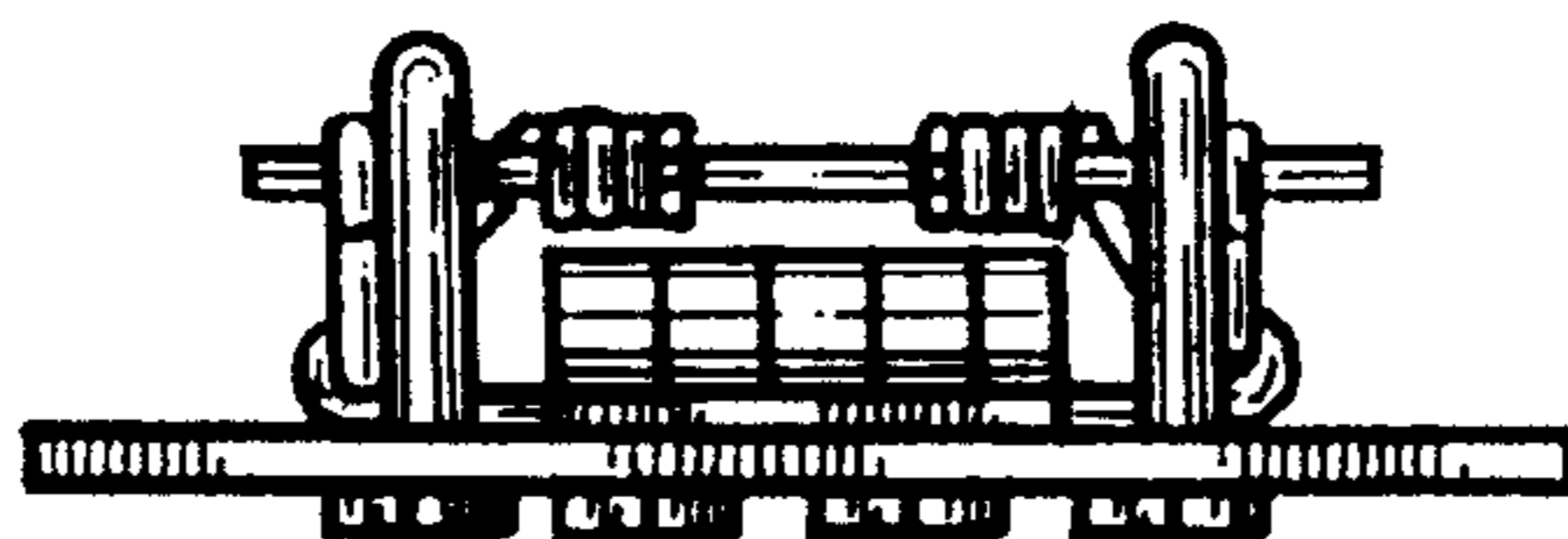


FIG. 3.