



US00D375957S

**United States Patent** [19]  
**Nagai**

[11] **Patent Number: Des. 375,957**

[45] **Date of Patent: \*\*Nov. 26, 1996**

[54] **RADIO RECEIVER**

[75] Inventor: **Atsuo Nagai**, Tokyo, Japan

[73] Assignee: **Sony Corporation**, Tokyo, Japan

[\*\*] Term: **14 Years**

[21] Appl. No.: **45,551**

[22] Filed: **Oct. 23, 1995**

[52] U.S. Cl. .... **D14/197; D14/198**

[58] **Field of Search** ..... D10/2, 15; D14/169-171,  
D14/188-189, 191-198, 257, 265, 299;  
455/344, 347, 350-351

[56] **References Cited**

**U.S. PATENT DOCUMENTS**

D. 301,715	6/1989	Camens	.....	D14/192
D. 301,716	6/1989	Ohzu	.....	D14/192 X
D. 302,014	7/1989	Ohzu	.....	D14/192 X
D. 326,652	6/1992	Kanno	.....	D14/163 X

*Primary Examiner*—Sandra L. Morris  
*Assistant Examiner*—Nanda Bondade  
*Attorney, Agent, or Firm*—Thomas G. Carulli

[57] **CLAIM**

The ornamental design for a radio receiver, as shown and described.

**DESCRIPTION**

FIG. 1 is a top plan view of a radio receiver showing my new design;

FIG. 2 is a left-side elevational view thereof;

FIG. 3 is a front elevational view thereof;

FIG. 4 is a right-side elevational view thereof;

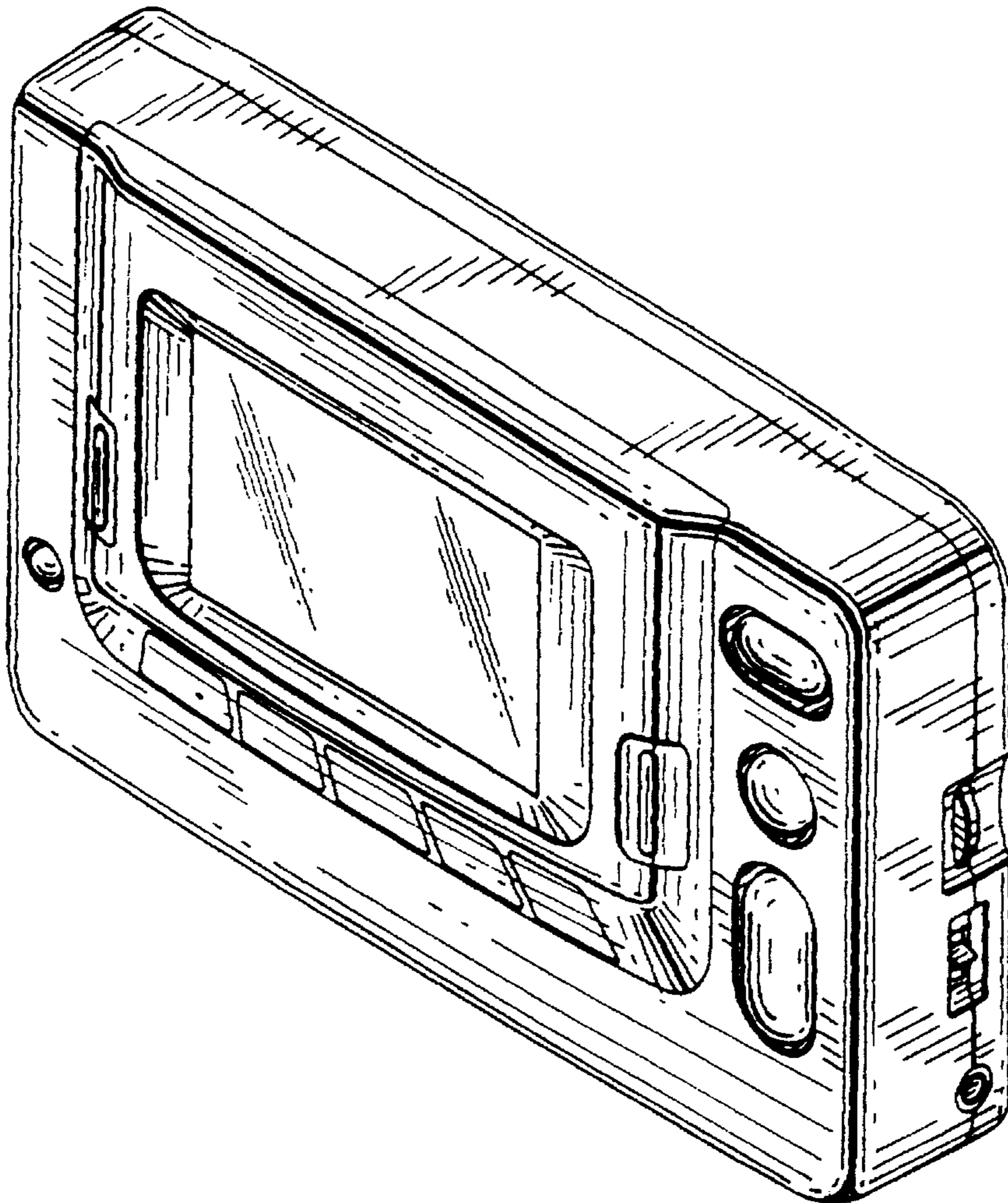
FIG. 5 is a bottom plan view thereof;

FIG. 6 is a rear elevational view thereof;

FIG. 7 is a top, front and right-side perspective view thereof; and,

FIG. 8 is a front elevational view thereof in operating condition.

**1 Claim, 2 Drawing Sheets**



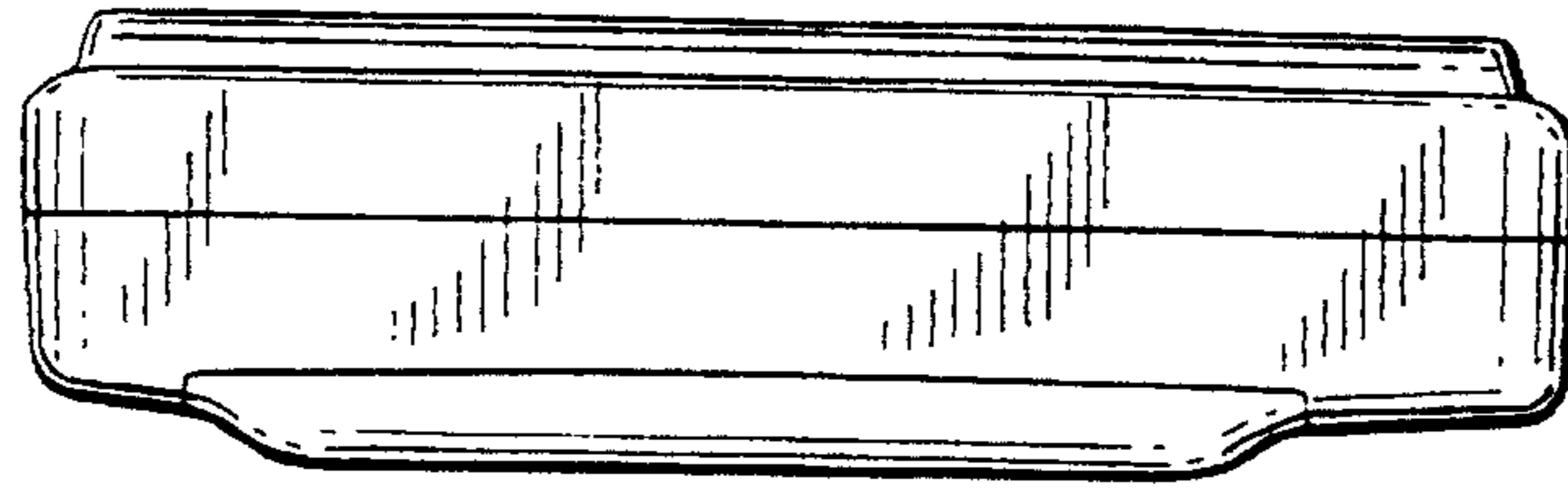


FIG. 1

FIG. 2

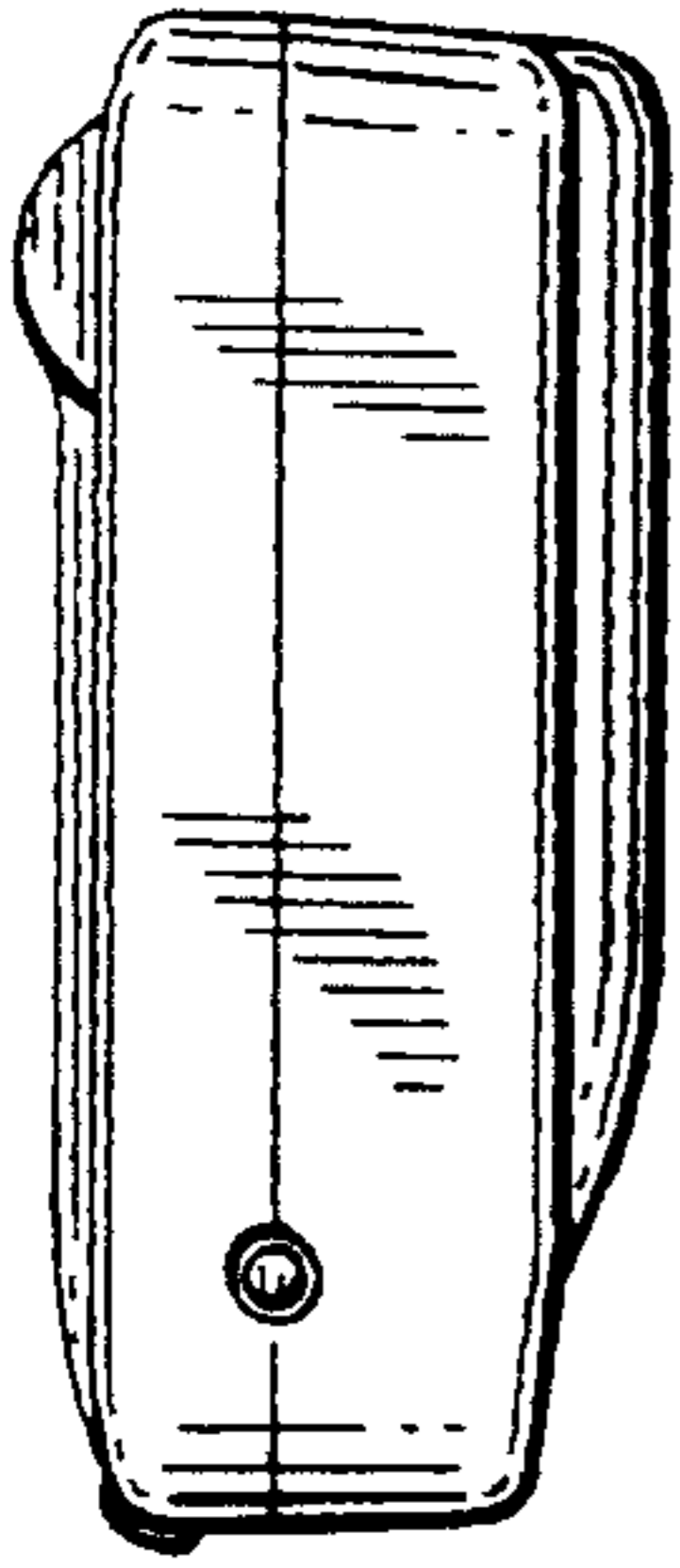


FIG. 3

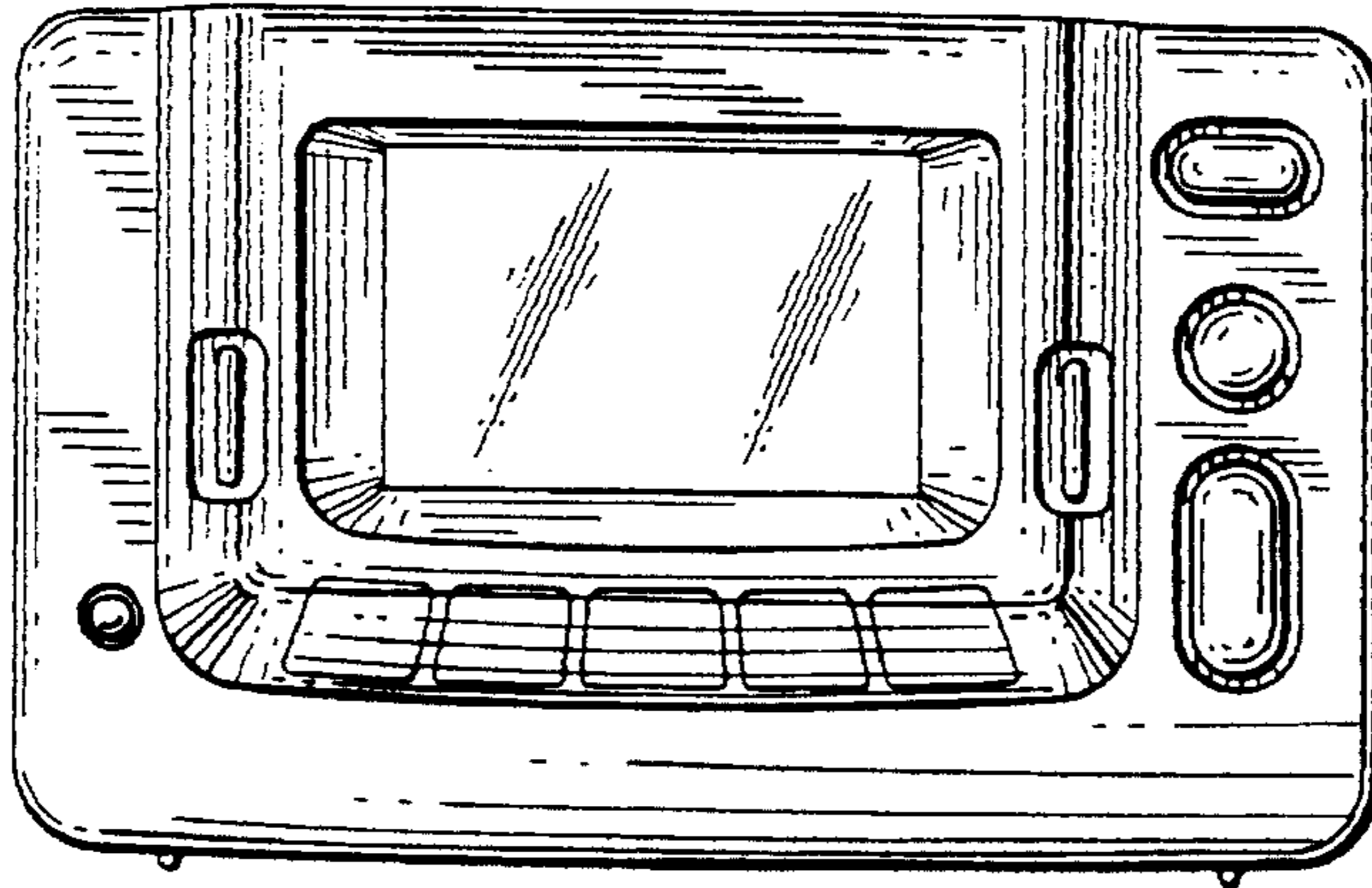


FIG. 4

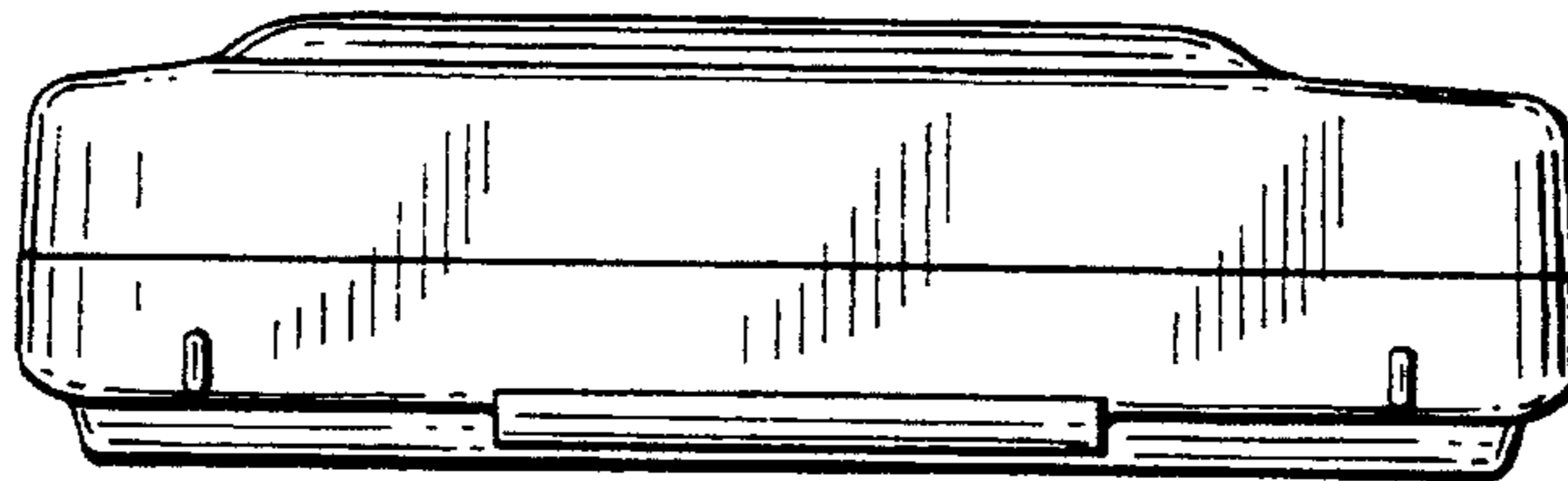
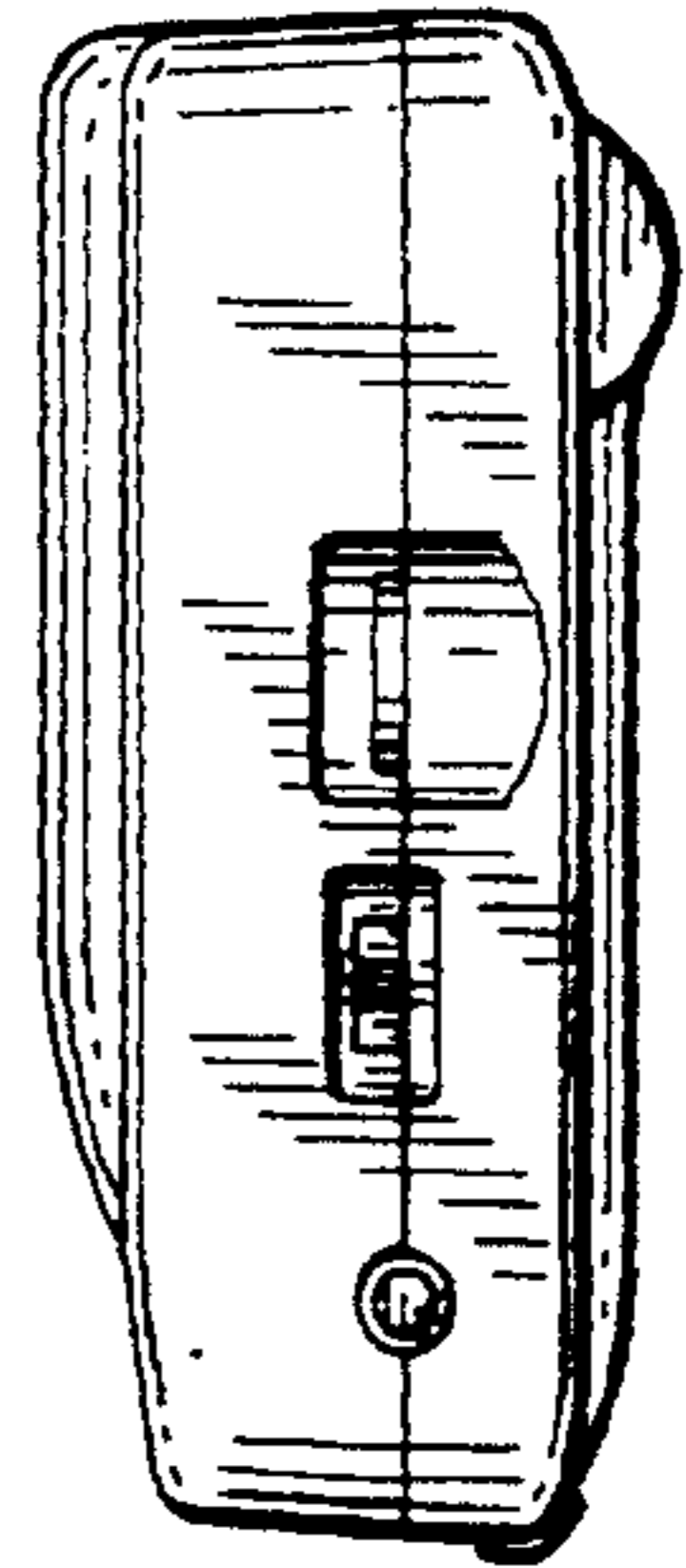


FIG. 5

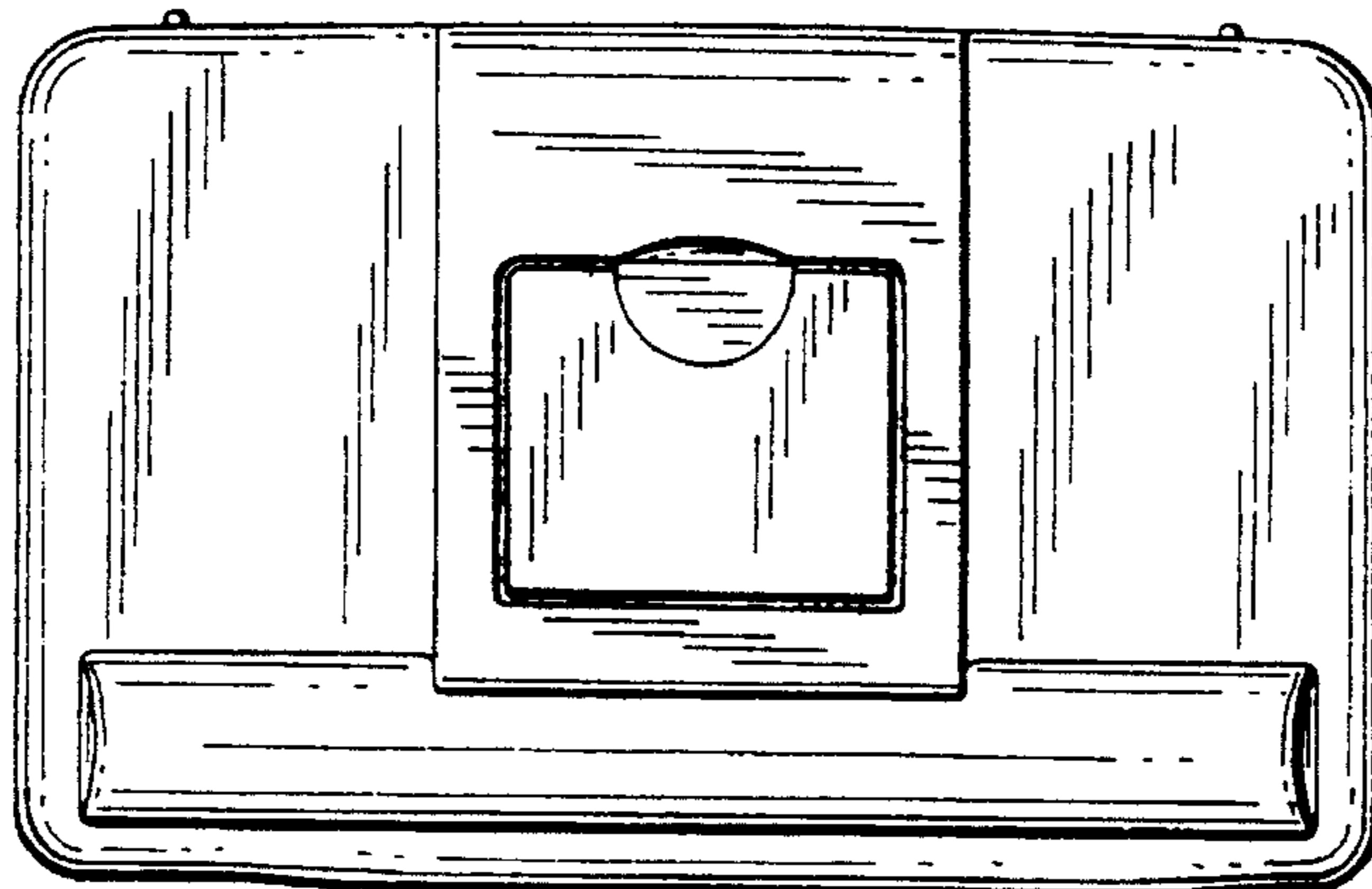
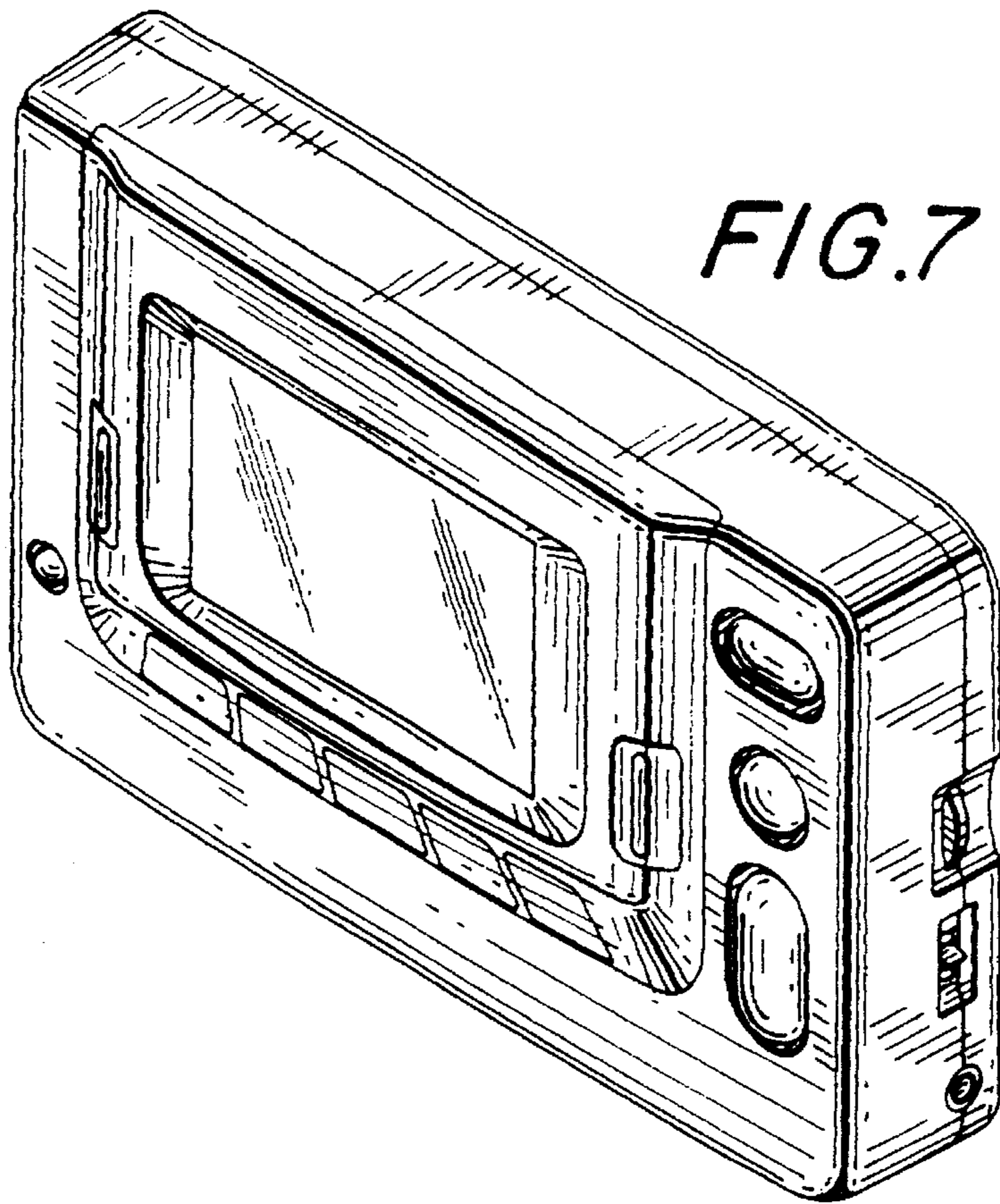


FIG. 6



*FIG. 7*

*FIG. 8*

