



US00D375956S

# United States Patent [19] Shintani

[11] **Patent Number: Des. 375,956**

[45] **Date of Patent: \*\*Nov. 26, 1996**

[54] **TUNER**

[75] Inventor: **Eiji Shintani**, Tokyo, Japan

[73] Assignee: **Sony Corporation**, Tokyo, Japan

[\*\*] Term: **14 Years**

[21] Appl. No.: **43,229**

[22] Filed: **Aug. 30, 1995**

[30] **Foreign Application Priority Data**

Apr. 4, 1995 [JP] Japan ..... 7-9150

[52] **U.S. Cl.** ..... **D14/197; D14/198**

[58] **Field of Search** ..... D14/124, 137,  
D14/156-157, 162, 164, 168-169, 188-198,  
265, 299; 455/344, 347, 350, 351

[56] **References Cited**

**U.S. PATENT DOCUMENTS**

D. 245,978 10/1978 Akazawa ..... D14/162

D. 298,133 10/1988 Tokiyama et al. .... D14/157

D. 321,192 10/1991 Ito et al. .... D14/156 X

D. 351,167 10/1994 Yun ..... D14/156

D. 362,666 9/1995 Ito et al. .... D14/164

*Primary Examiner*—Sandra L. Morris

*Assistant Examiner*—Nanda Bondade

*Attorney, Agent, or Firm*—Beveridge, DeGrandi, Weilacher & Young, L.L.P.

[57] **CLAIM**

The ornamental design for a tuner, as shown and described.

**DESCRIPTION**

FIG. 1 is a perspective view of a tuner showing my new design;

FIG. 2 is a top plan view thereof;

FIG. 3 is a left side elevational view thereof;

FIG. 4 is a front elevational view thereof;

FIG. 5 is a right side elevational view thereof;

FIG. 6 is a rear elevational view thereof; and,

FIG. 7 is a bottom plan view thereof.

**1 Claim, 3 Drawing Sheets**

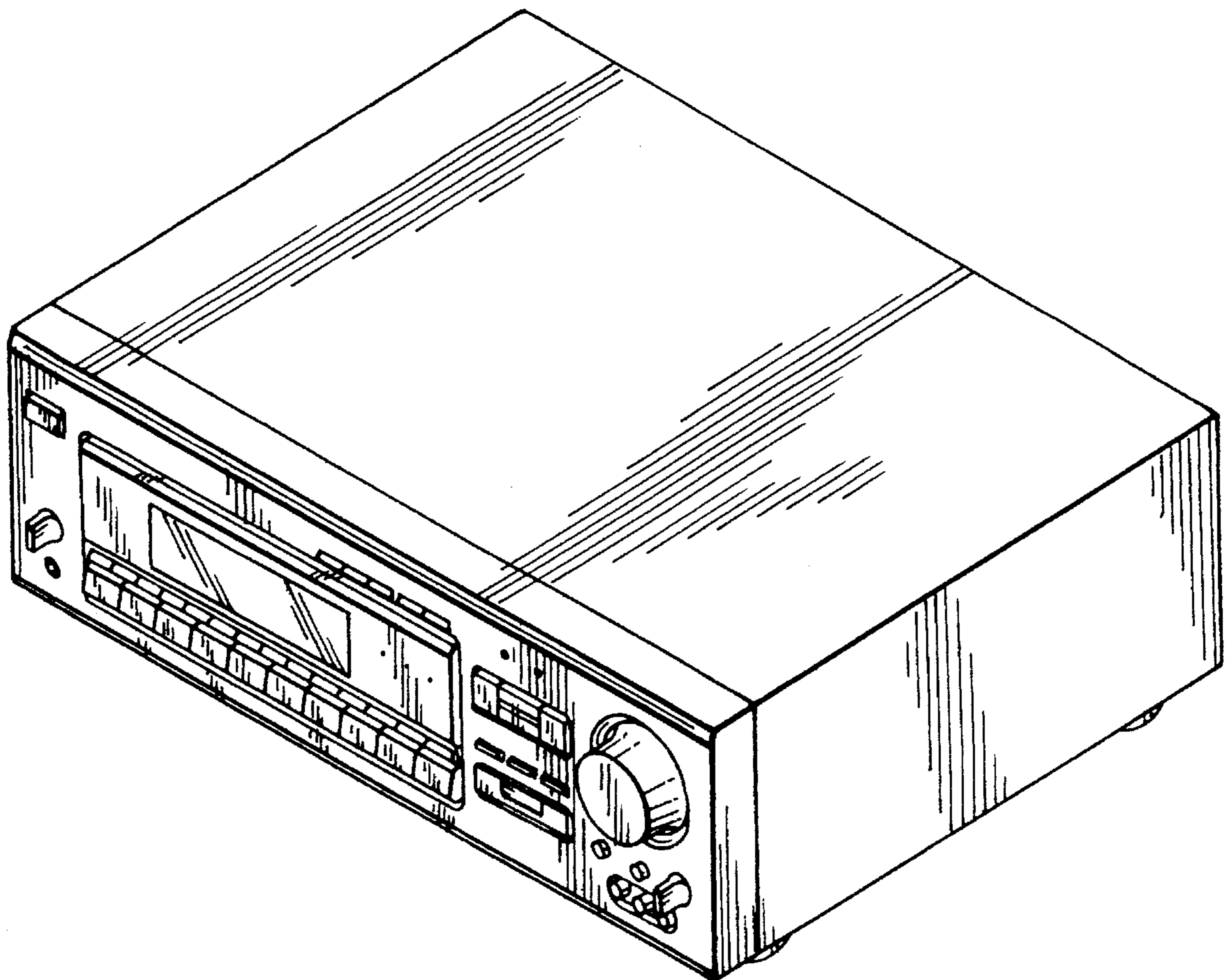


FIG. 1

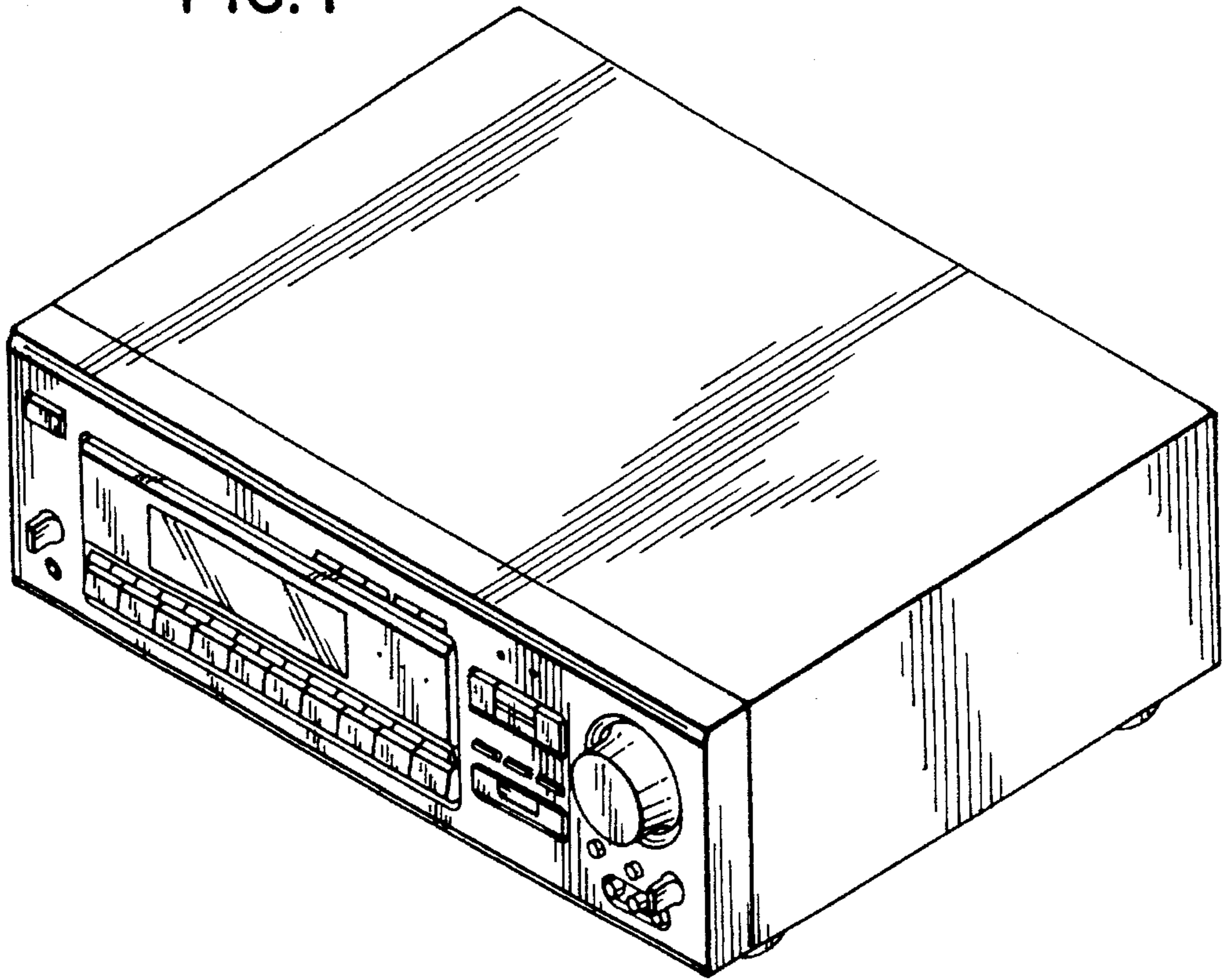


FIG. 2

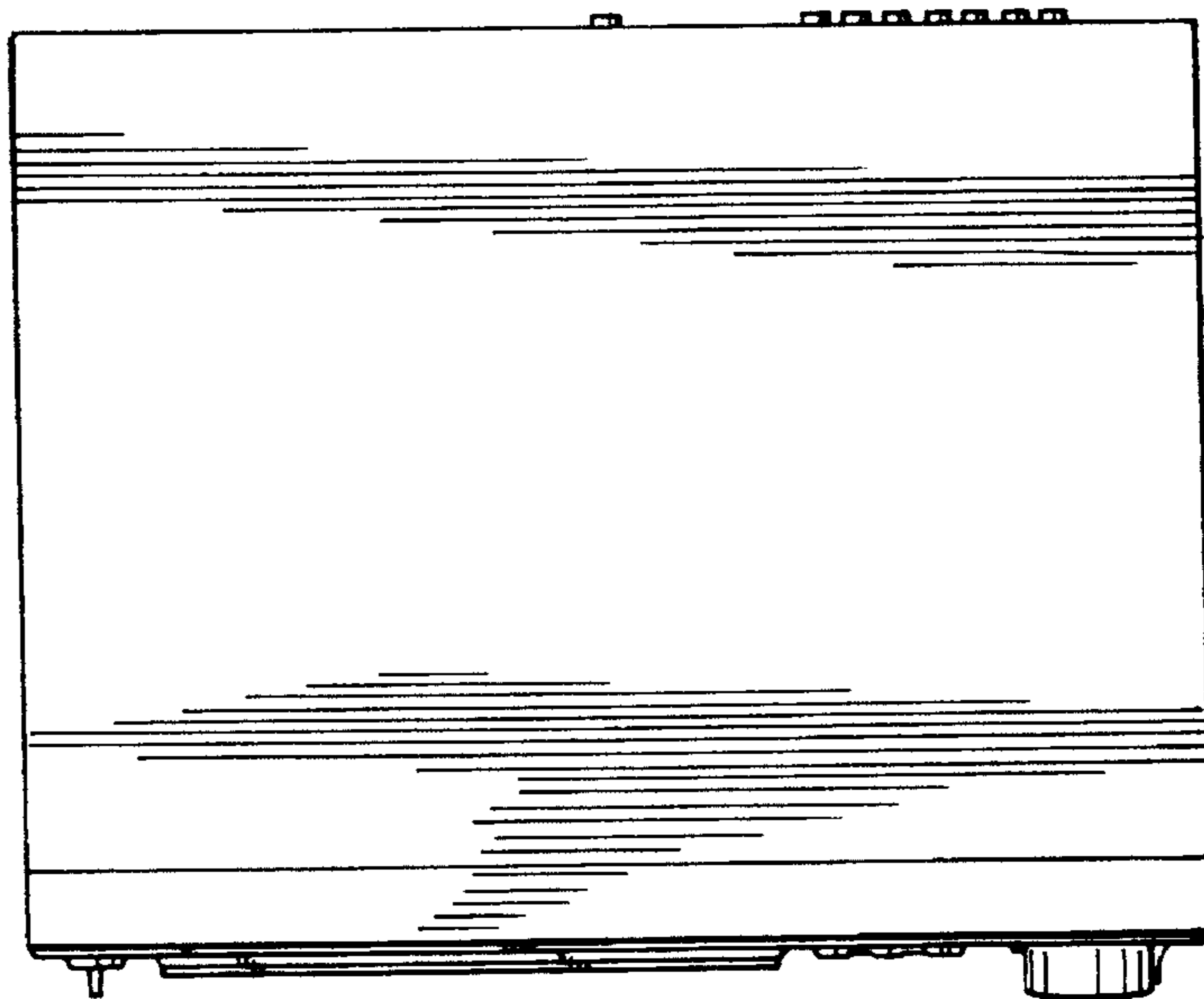


FIG. 3

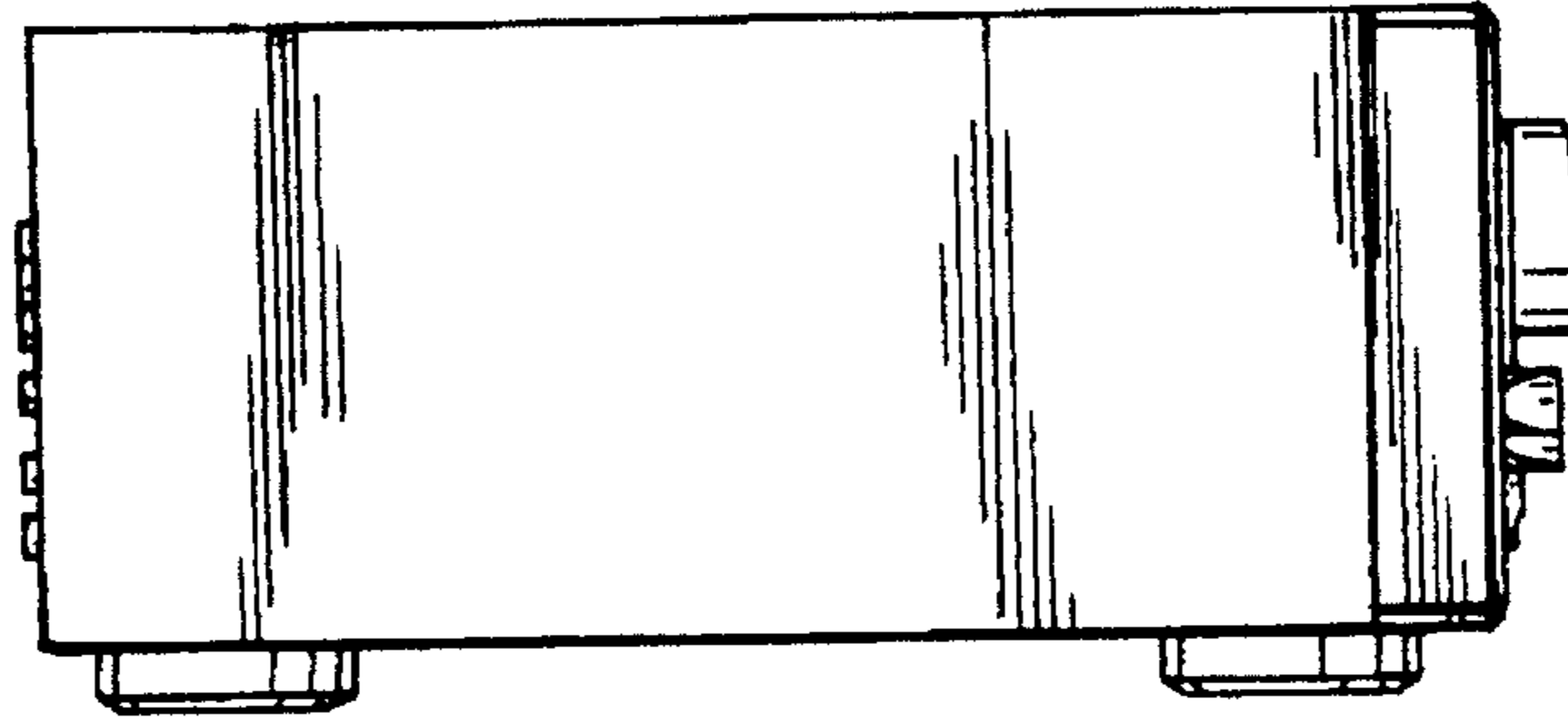


FIG. 4

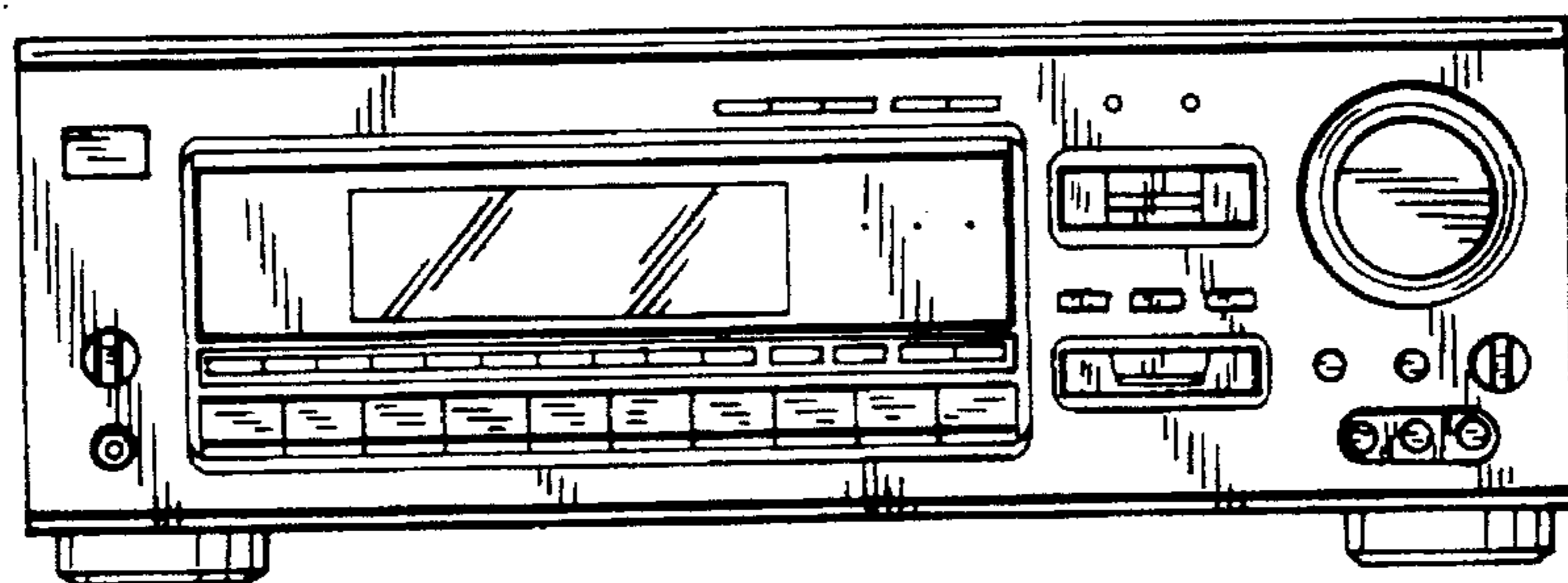


FIG. 5

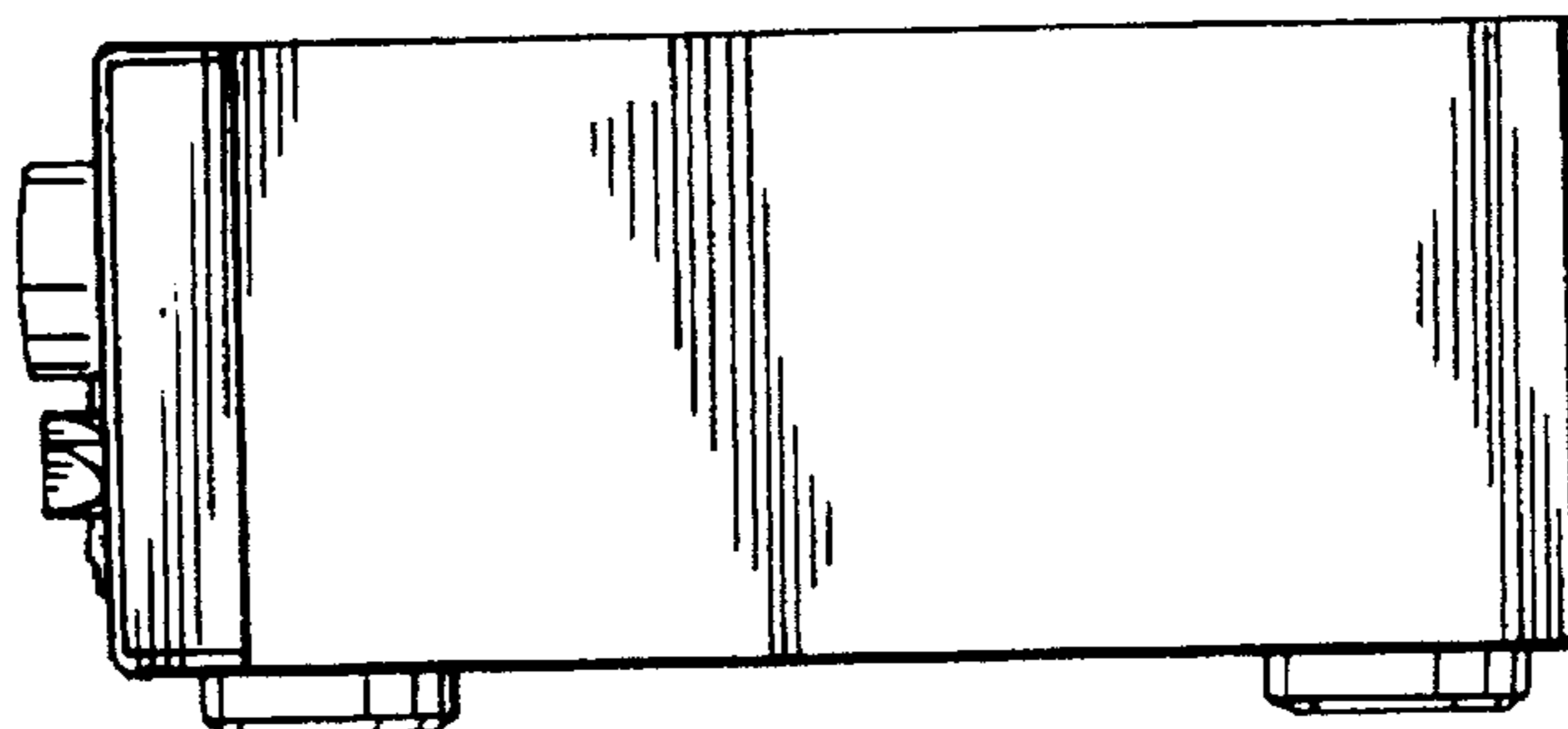


FIG. 6

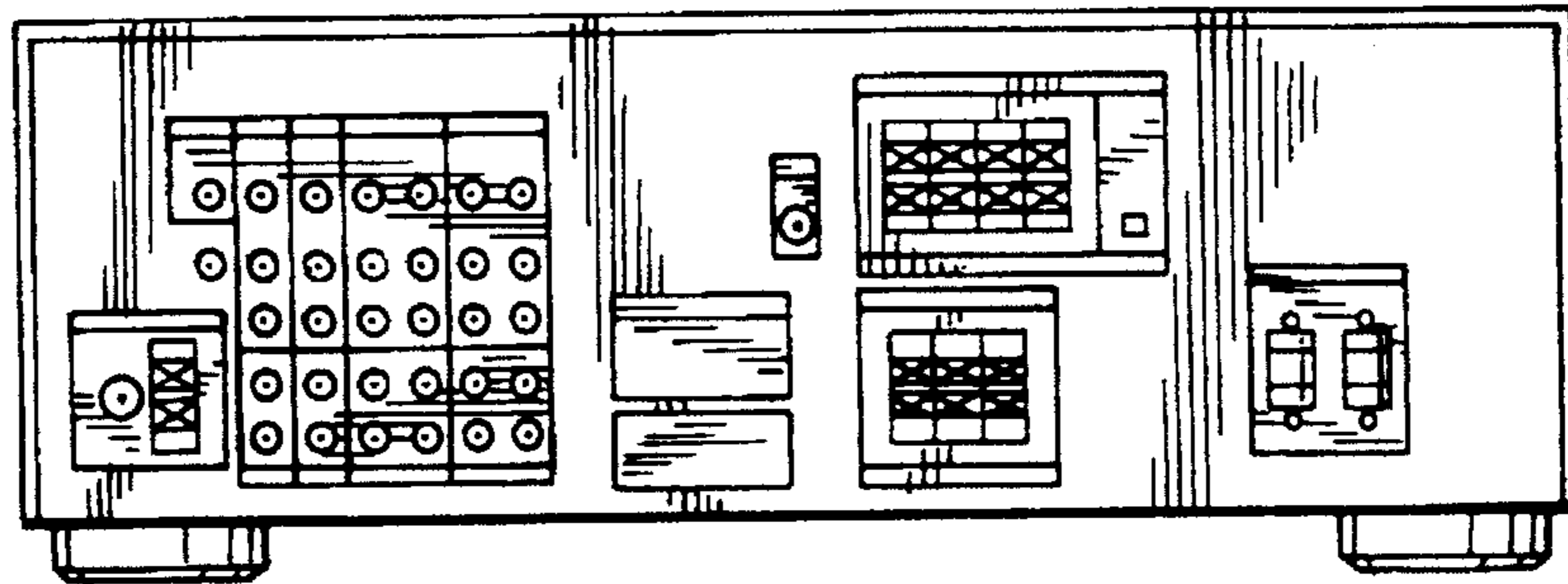


FIG. 7

