



US00D375955S

United States Patent [19]

Rankins et al.

[11] Patent Number: **Des. 375,955**

[45] Date of Patent: ****Nov. 26, 1996**

[54] **COMBINED STEREO AND CASSETTE
PLAYER**

D. 303,800 10/1989 Newman D14/195
D. 304,920 12/1989 Schifrin D14/168 X
D. 340,253 12/1993 Taylor D14/157

[76] Inventors: **Brian C. Rankins; Dwjuan Davis,**
both of 523 Sanford St., Covington, Ky.
41011

Primary Examiner—Sandra L. Morris
Assistant Examiner—Nanda Bondade
Attorney, Agent, or Firm—James A. Hudak

[**] Term: **14 Years**

[57] CLAIM

[21] Appl. No.: **40,479**

The ornamental design for a combined stereo and cassette player, as shown and described.

[22] Filed: **Jun. 20, 1995**

DESCRIPTION

[52] U.S. Cl. **D14/162; D14/257**

[58] **Field of Search** D14/124, 160–168,
D14/188–190, 204, 207, 209–210, 213–216,
257, 260, 299; 181/144–145, 147–148,
150, 157, 198–199; 381/24, 88, 90–91,
153, 159, 186, 188; 455/344, 347, 350–351

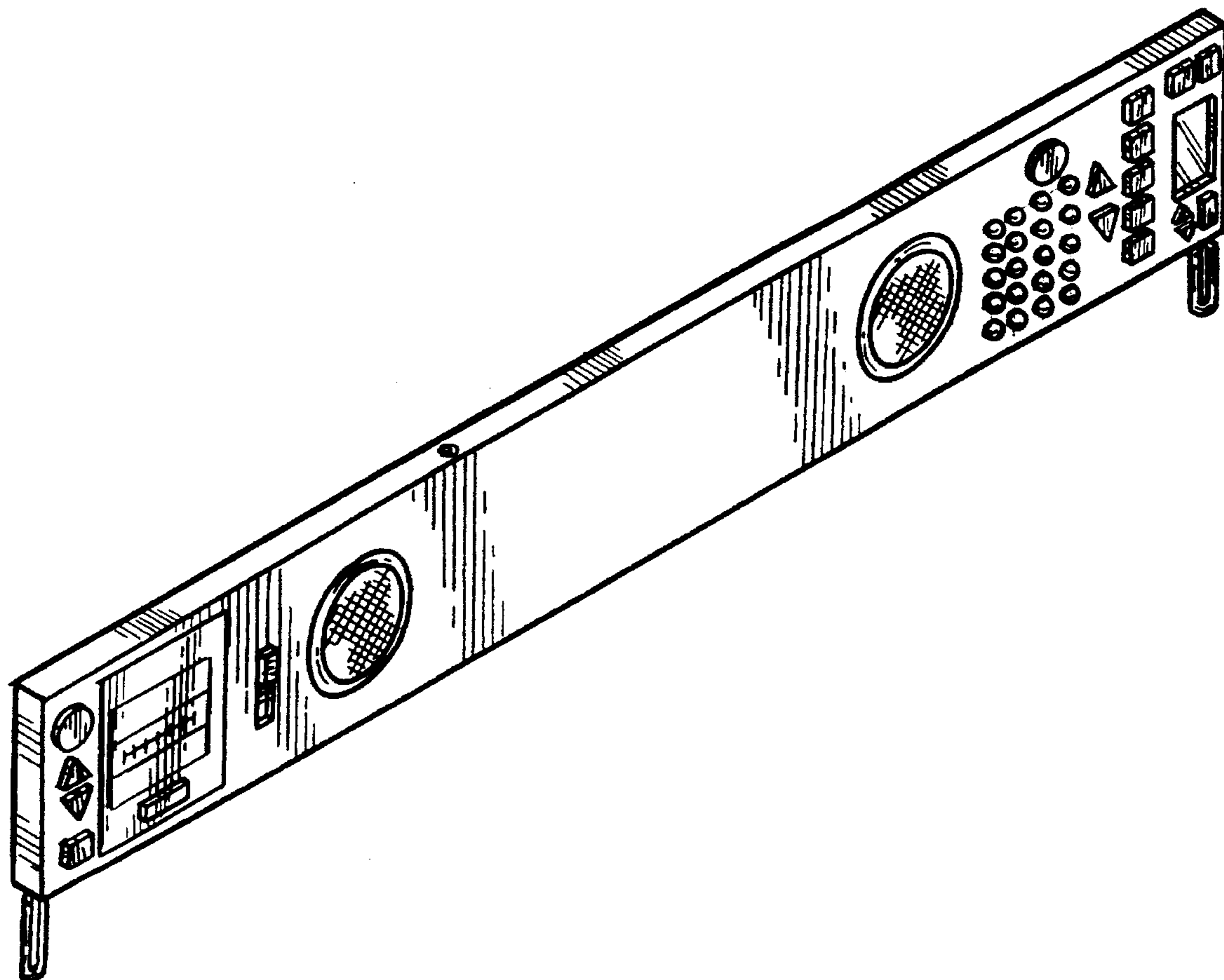
FIG. 1 is a perspective view of the combined stereo and cassette player showing our new design; FIG. 2 is a left end elevational view thereof; FIG. 3 is a right end elevational view thereof; FIG. 4 is a front elevational view thereof; FIG. 5 is a rear elevational view thereof; FIG. 6 is a top plan view thereof; and, FIG. 7 is a bottom plan view thereof.

[56] References Cited

U.S. PATENT DOCUMENTS

D. 199,639 11/1964 Jalpern D14/189
D. 209,059 10/1967 Watanuki D14/166

1 Claim, 2 Drawing Sheets



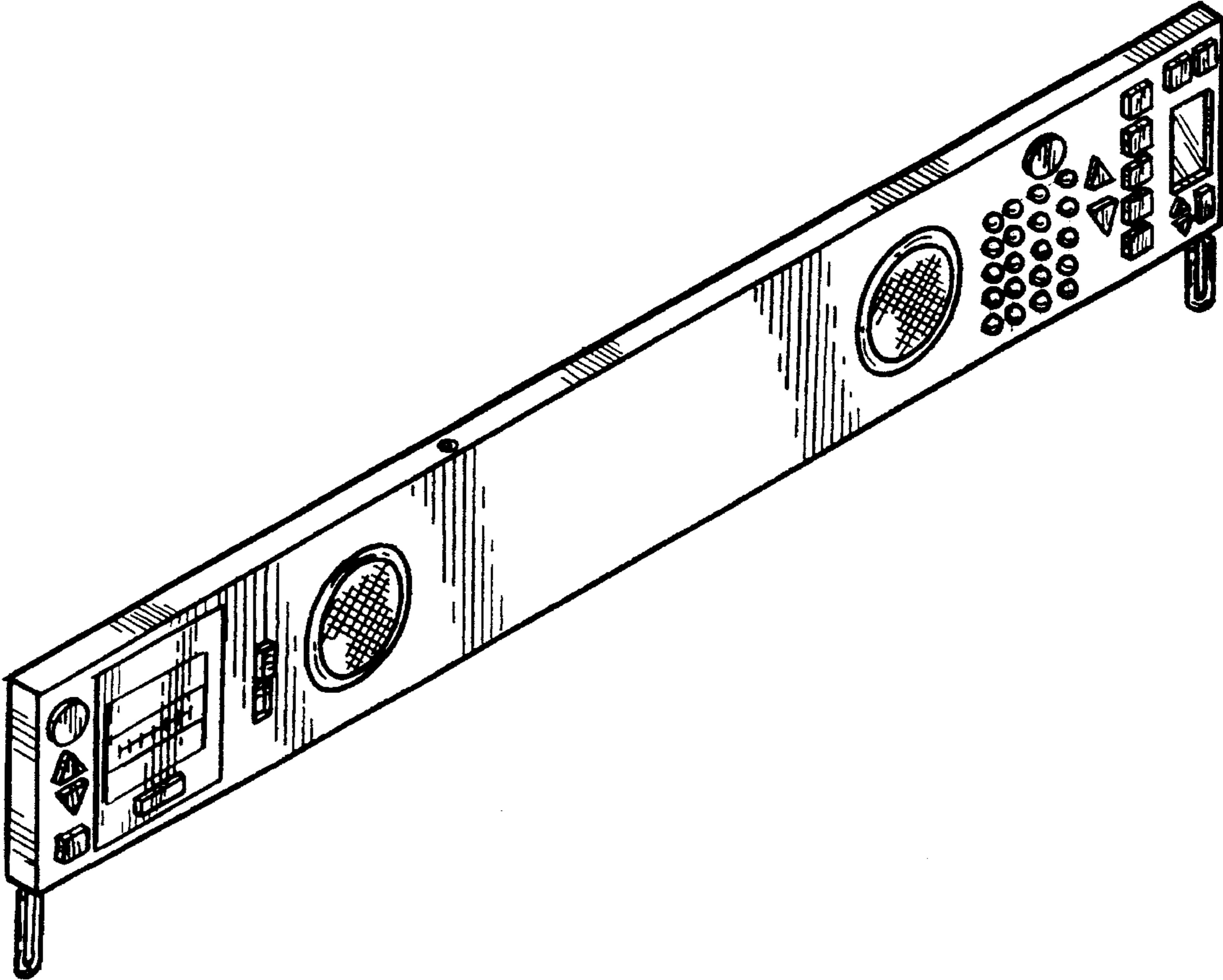


FIG. 1



FIG. 2



FIG. 3

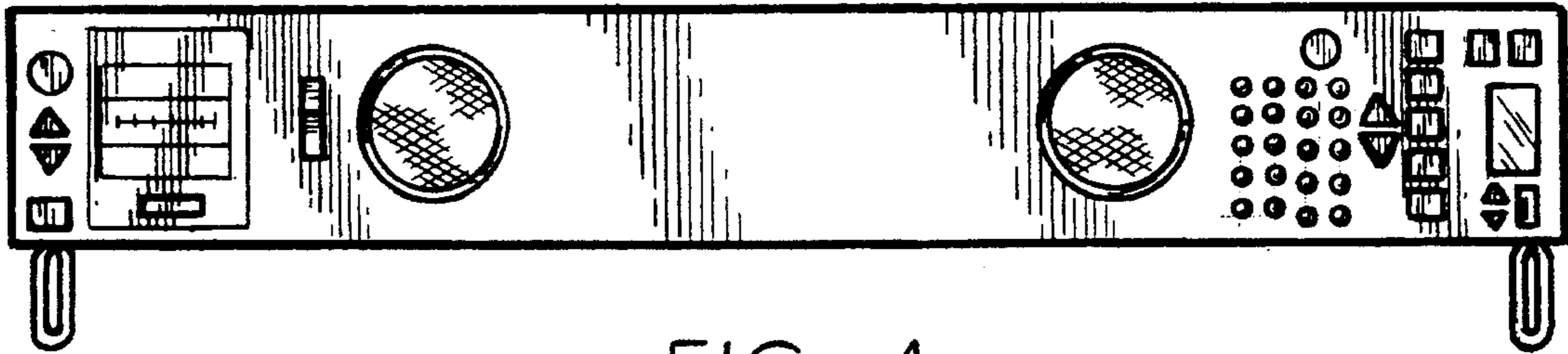


FIG. 4

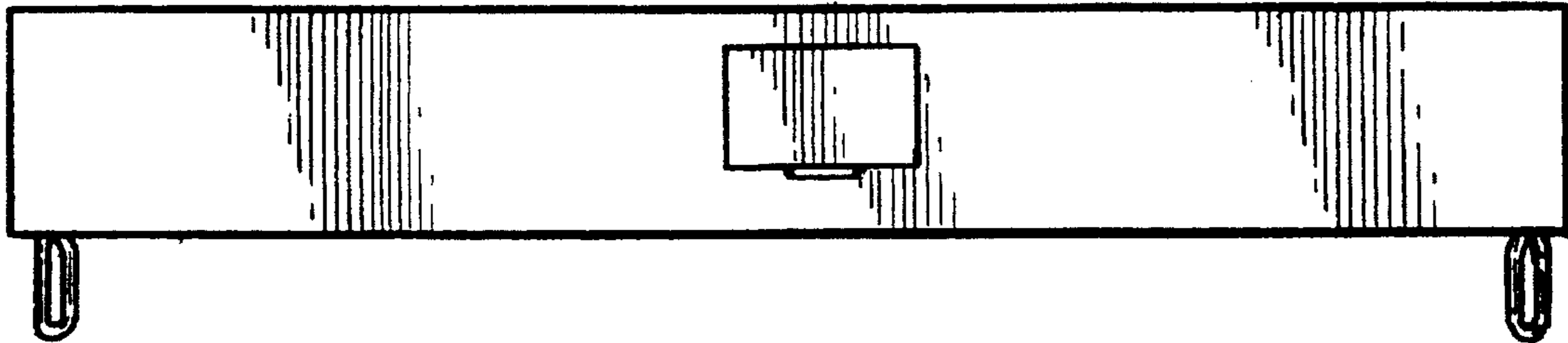


FIG. 5

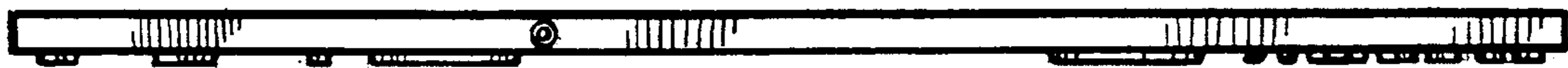


FIG. 6



FIG. 7