



US00D375948S

United States Patent [19] Langlois

[11] **Patent Number: Des. 375,948**
[45] **Date of Patent: **Nov. 26, 1996**

[54] **FACSIMILE CONTROLLER**
[75] Inventor: **Michael G. Langlois**, Kanata, Canada
[73] Assignee: **Mitel Corporation**, Ontario, Canada
[**] Term: **14 Years**
[21] Appl. No.: **26,089**
[22] Filed: **Jul. 19, 1994**
[30] **Foreign Application Priority Data**
Jun. 17, 1994 [CA] Canada 1994-1177
[52] **U.S. Cl.** **D14/118**
[58] **Field of Search** D14/118, 299,
D14/116, 124, 256, 242, 101, 114; D13/162,
158, 133, 146, 147; 358/400-404; 379/441,
422, 428, 440; D21/13, 48; 361/724, 728,
730, 825

[56] **References Cited**
U.S. PATENT DOCUMENTS
D. 215,847 11/1969 Glover et al. D14/101
D. 305,426 1/1990 Doi D14/118 X

D. 307,910 5/1990 Tominaga et al. D14/299
D. 340,721 10/1993 Hirose et al. D14/118
D. 346,378 4/1994 Smylie D14/118
D. 346,606 5/1994 Harris et al. D14/242
D. 348,070 6/1994 Vallilee D21/13 X
D. 348,257 6/1994 Wingate D14/114
D. 354,500 1/1995 Georgopoulos D14/242
D. 354,752 1/1995 Johnson et al. D14/242 X
D. 355,654 2/1995 Koulopoulos D14/124 X
5,329,377 7/1994 Gregg 358/400

Primary Examiner—Prabhakar G. Deshmukh
Attorney, Agent, or Firm—Laff, Whitesel, Conte & Saret,
Ltd.

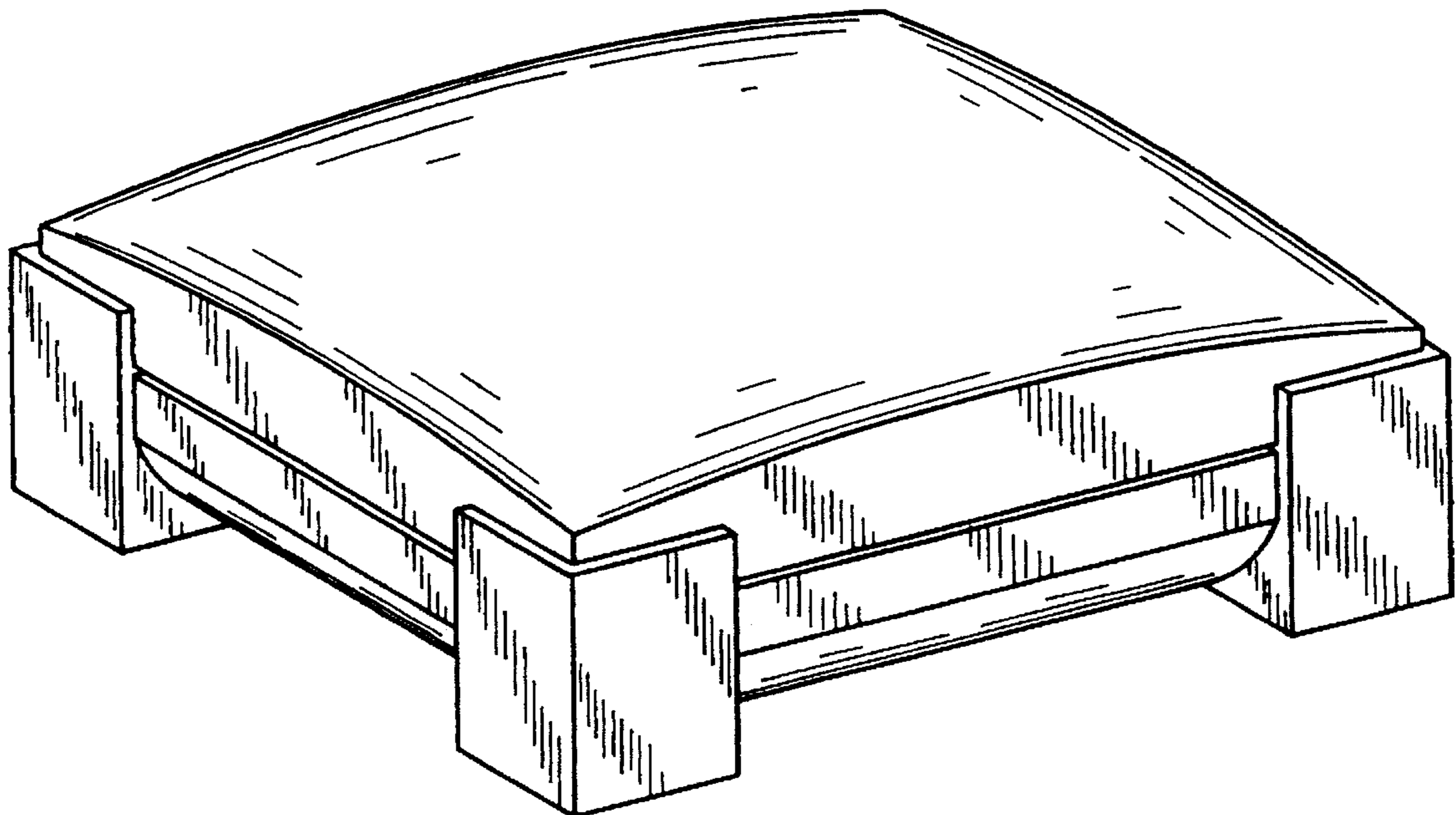
[57] **CLAIM**

The ornamental design for a facsimile controller, as shown.

DESCRIPTION

FIG. 1 is a perspective view of a facsimile controller showing my new design;
FIG. 2 is a top plan view thereof;
FIG. 3 is a typical elevational view thereof; and,
FIG. 4 is a bottom plan view thereof.

1 Claim, 2 Drawing Sheets



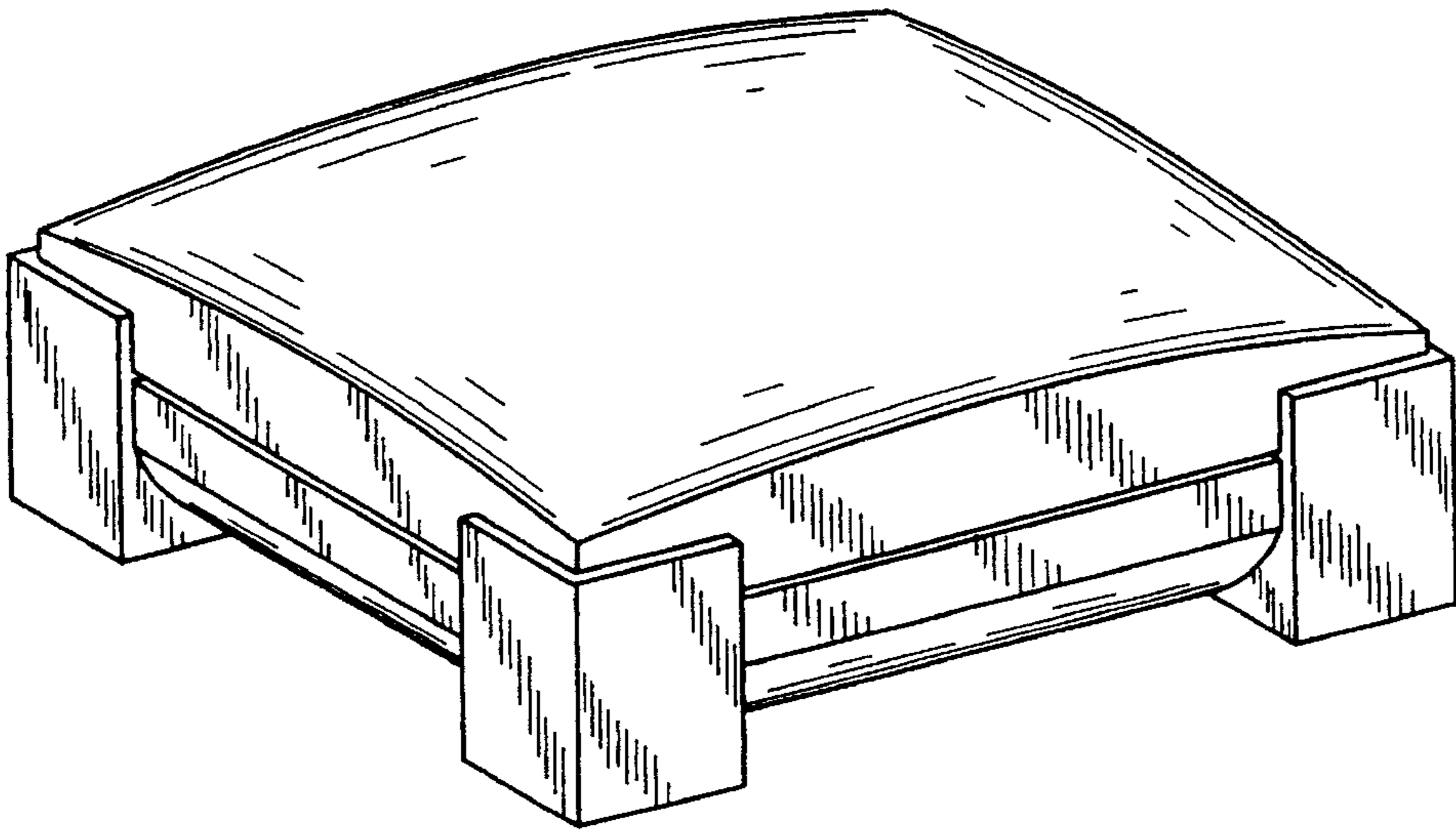


FIG. 1

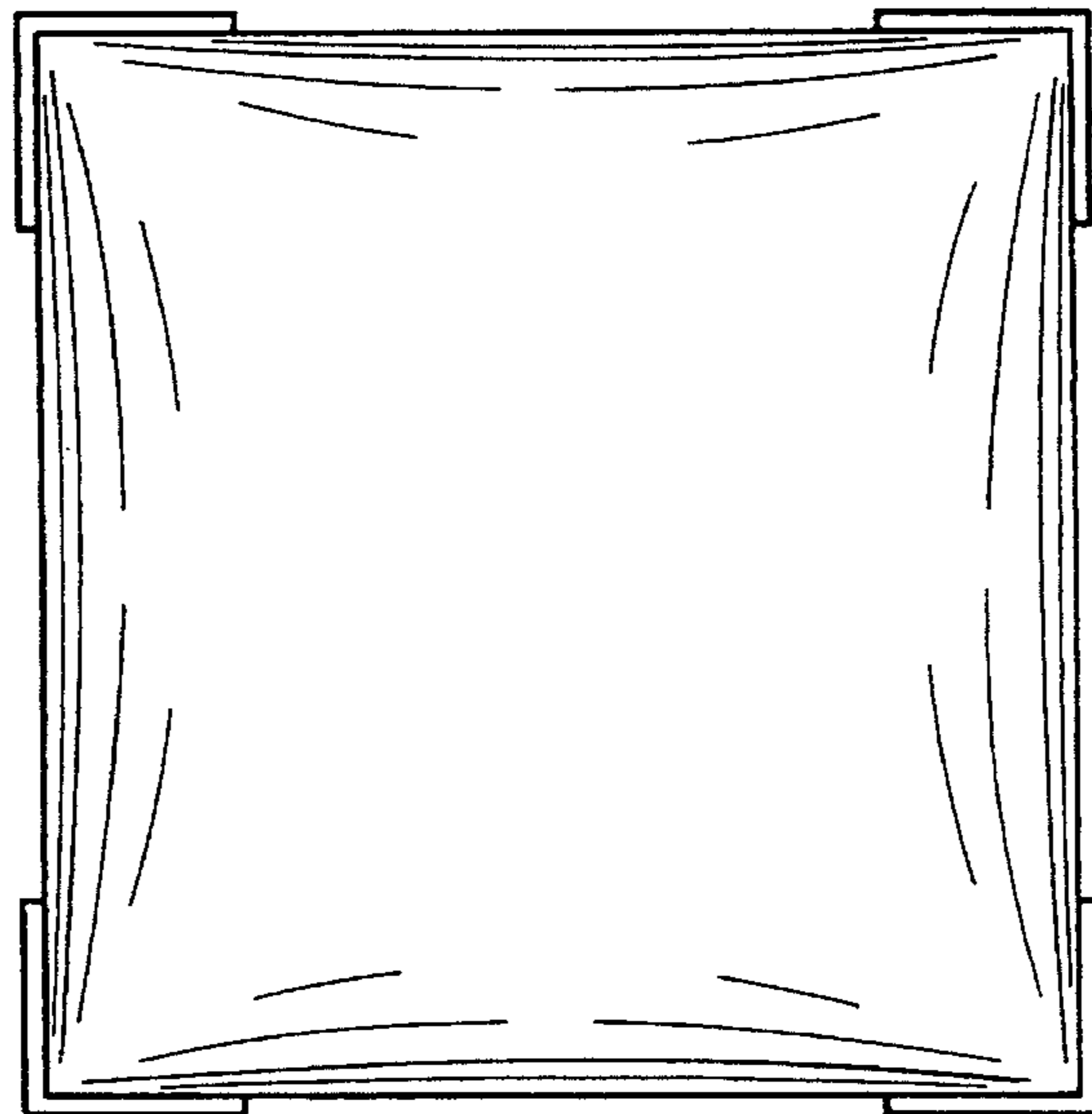


FIG. 2

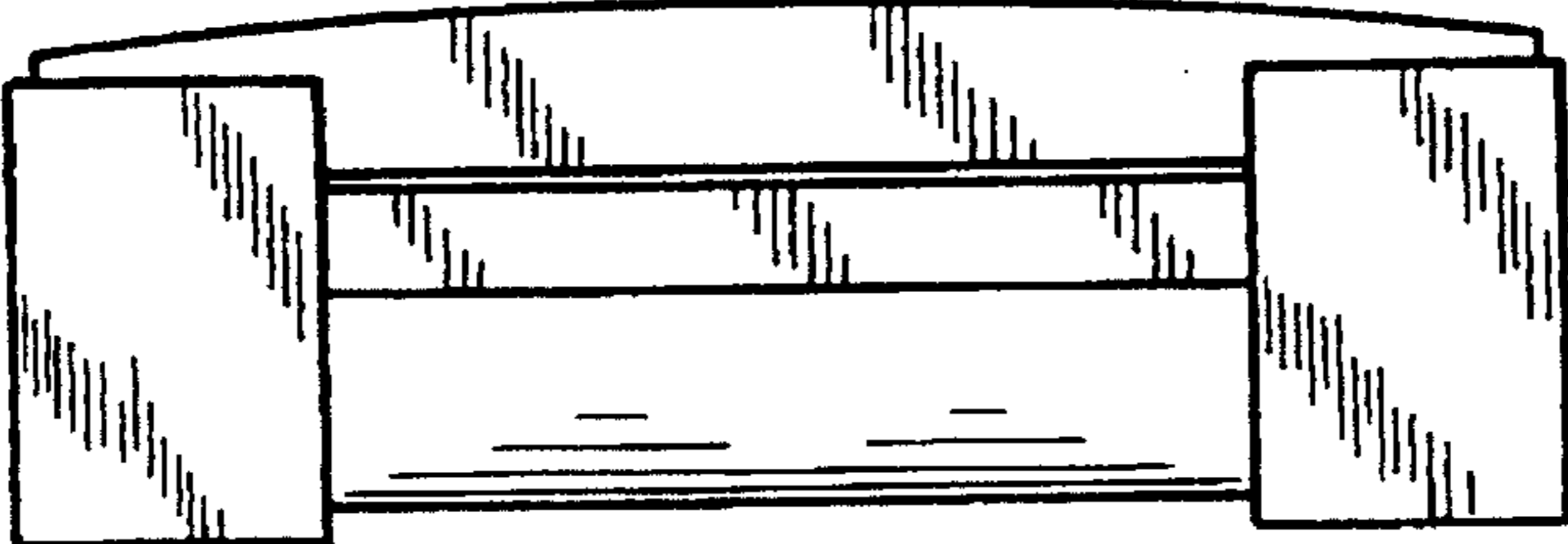


FIG. 3

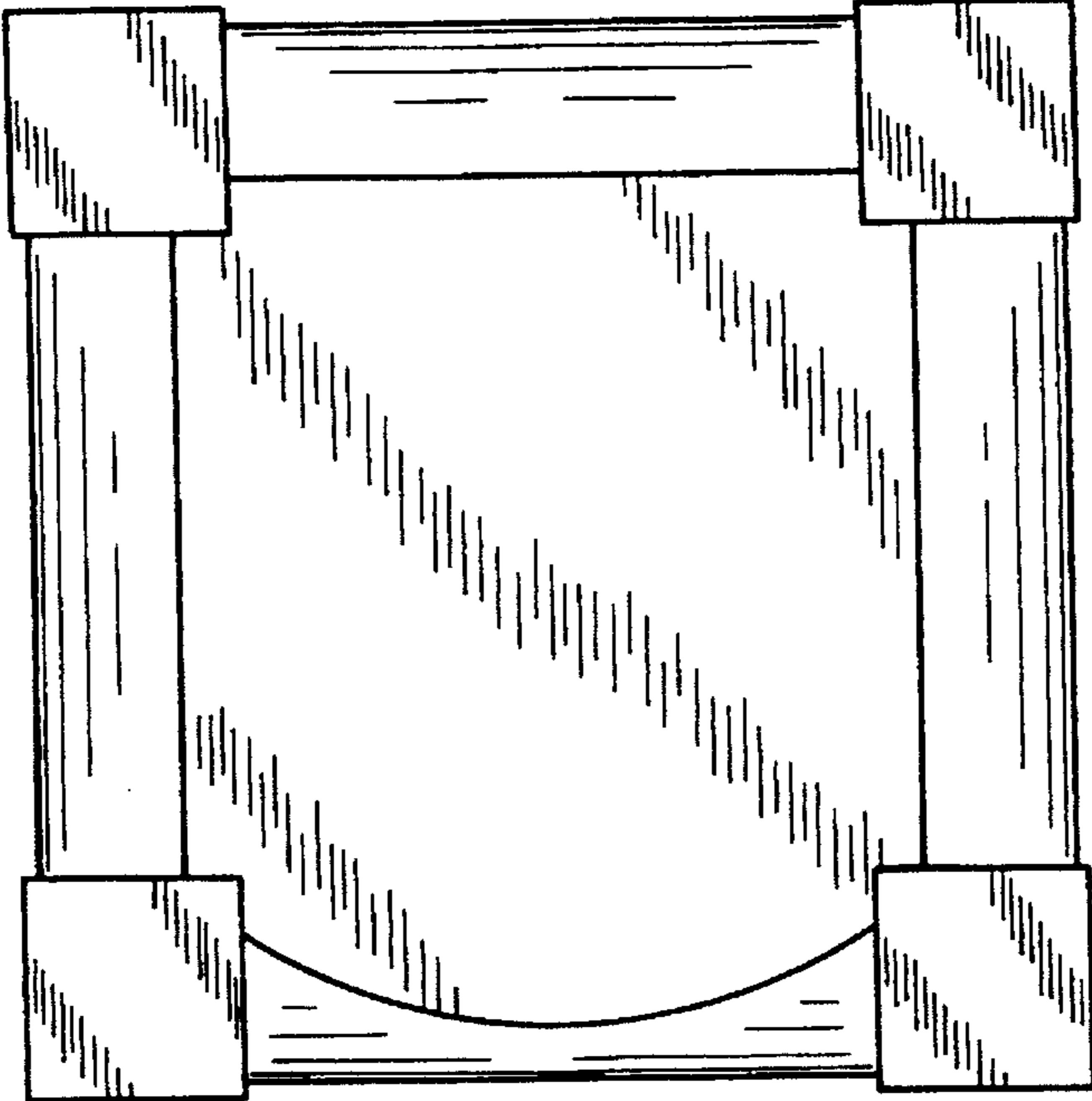


FIG. 4