



US00D375946S

United States Patent [19]

Merino et al.

[11] Patent Number: **Des. 375,946**

[45] Date of Patent: ****Nov. 26, 1996**

[54] **DISPLAY MONITOR**

D. 349,277 8/1994 Merino et al. D14/113 X
D. 363,475 10/1995 Oates et al. D14/113

[75] Inventors: **Tristan A. Merino**, Austin, Tex.;
Markus Oates, Glasgow, Scotland

Primary Examiner—Freda Nunn
Attorney, Agent, or Firm—Richard A. Henkler

[73] Assignee: **International Business Machines Corporation**, Armonk, N.Y.

[57] **CLAIM**

[**] Term: **14 Years**

The ornamental design for the display monitor, as shown and described.

[21] Appl. No.: **41,180**

DESCRIPTION

[22] Filed: **Jul. 7, 1995**

[52] U.S. Cl. **D14/113**

[58] **Field of Search** D14/100, 101,
D14/113, 124-129; 345/104, 133, 156,
168, 87, 173, 901-905; 358/249, 254, 255;
248/917-924

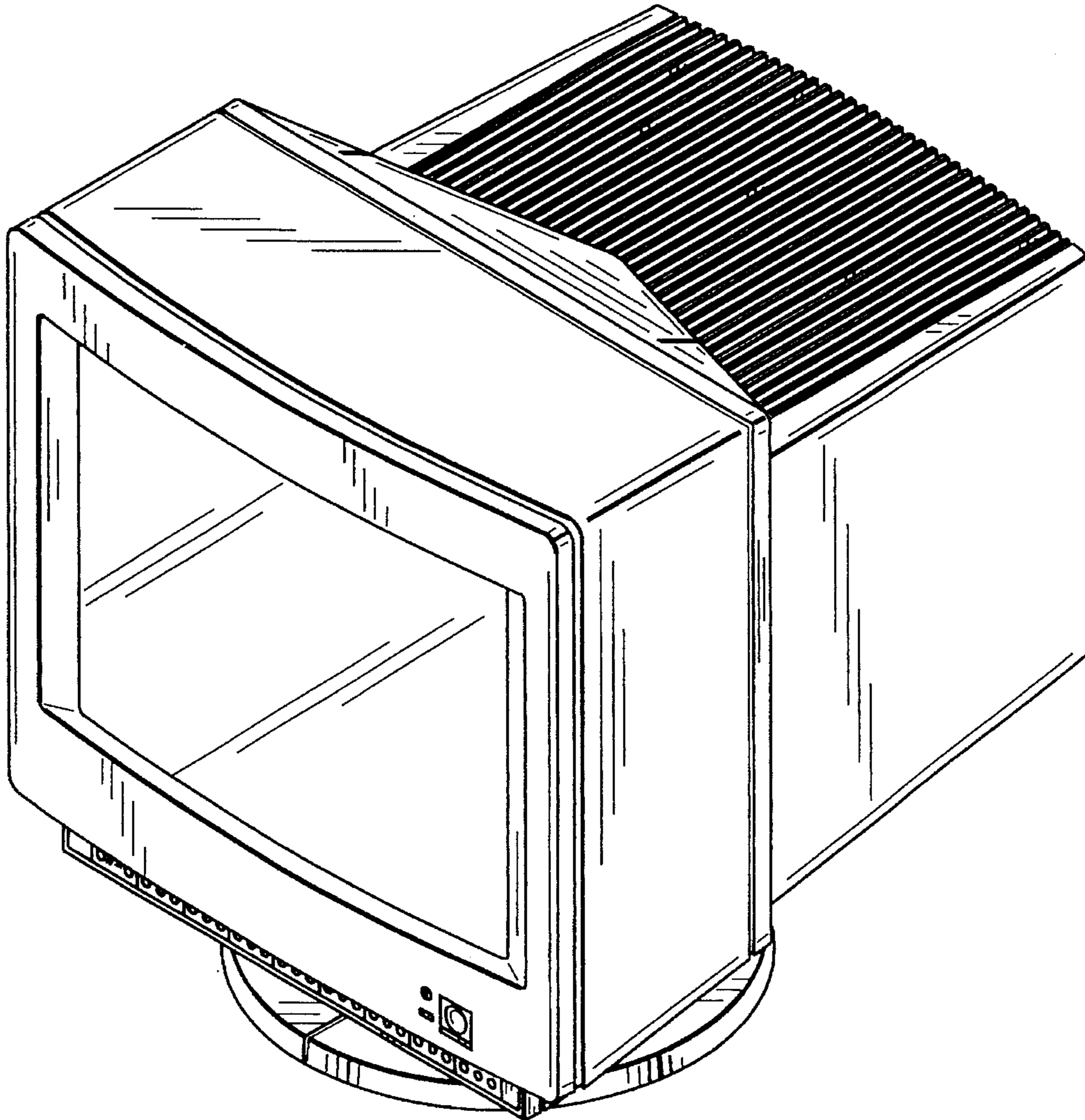
FIG. 1 is a front, top, and right side perspective view of a display monitor;
FIG. 2 is a rear, top, and right side perspective view thereof;
FIG. 3 is a right side elevational view thereof;
FIG. 4 is a left side elevational view thereof;
FIG. 5 is a front elevational view thereof;
FIG. 6 is a rear elevational view thereof;
FIG. 7 is a top plan view thereof; and,
FIG. 8 is a bottom plan view thereof.

[56] **References Cited**

U.S. PATENT DOCUMENTS

D. 320,390 10/1991 Williams et al. D14/113

1 Claim, 8 Drawing Sheets



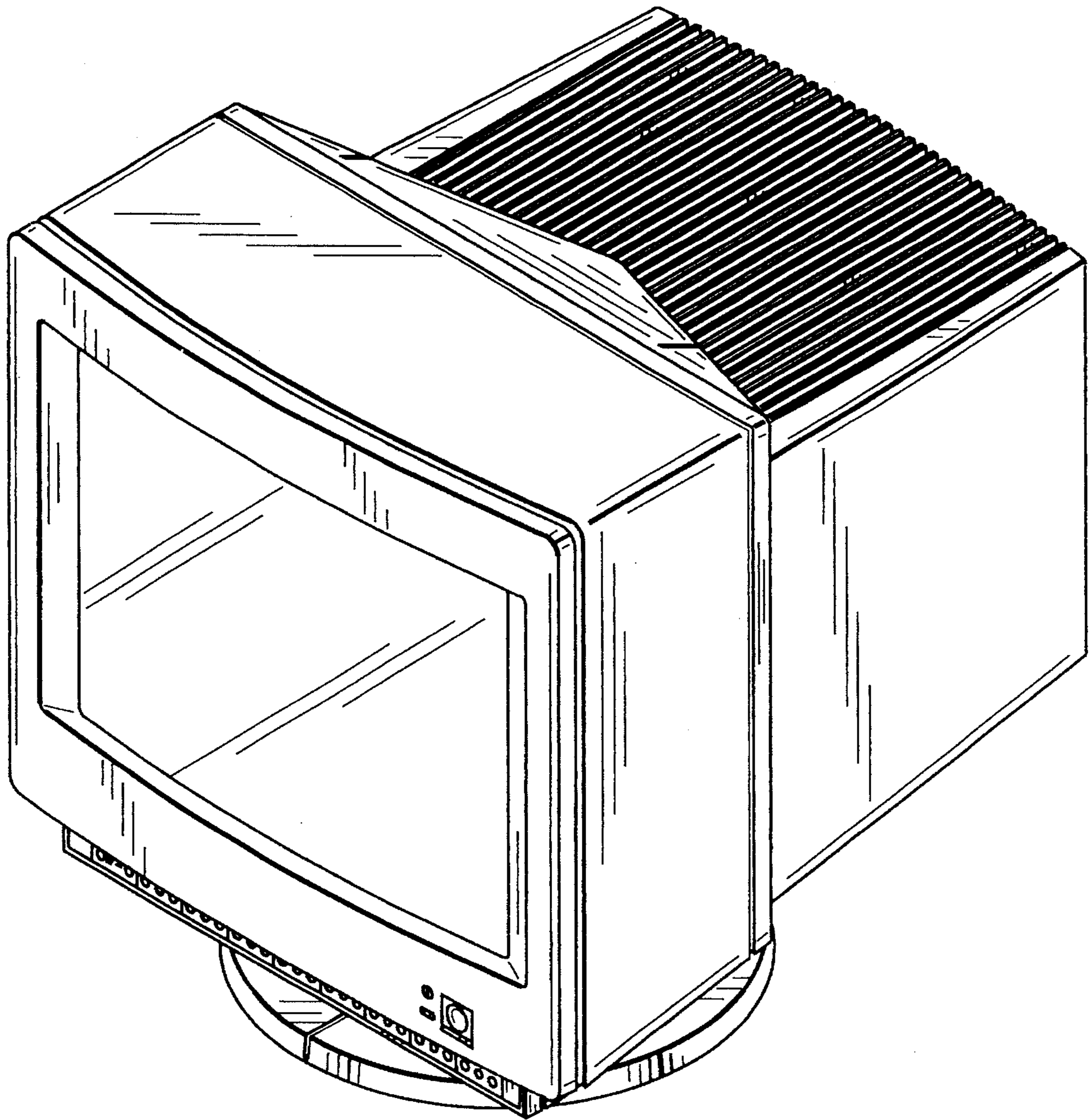


FIG. 1

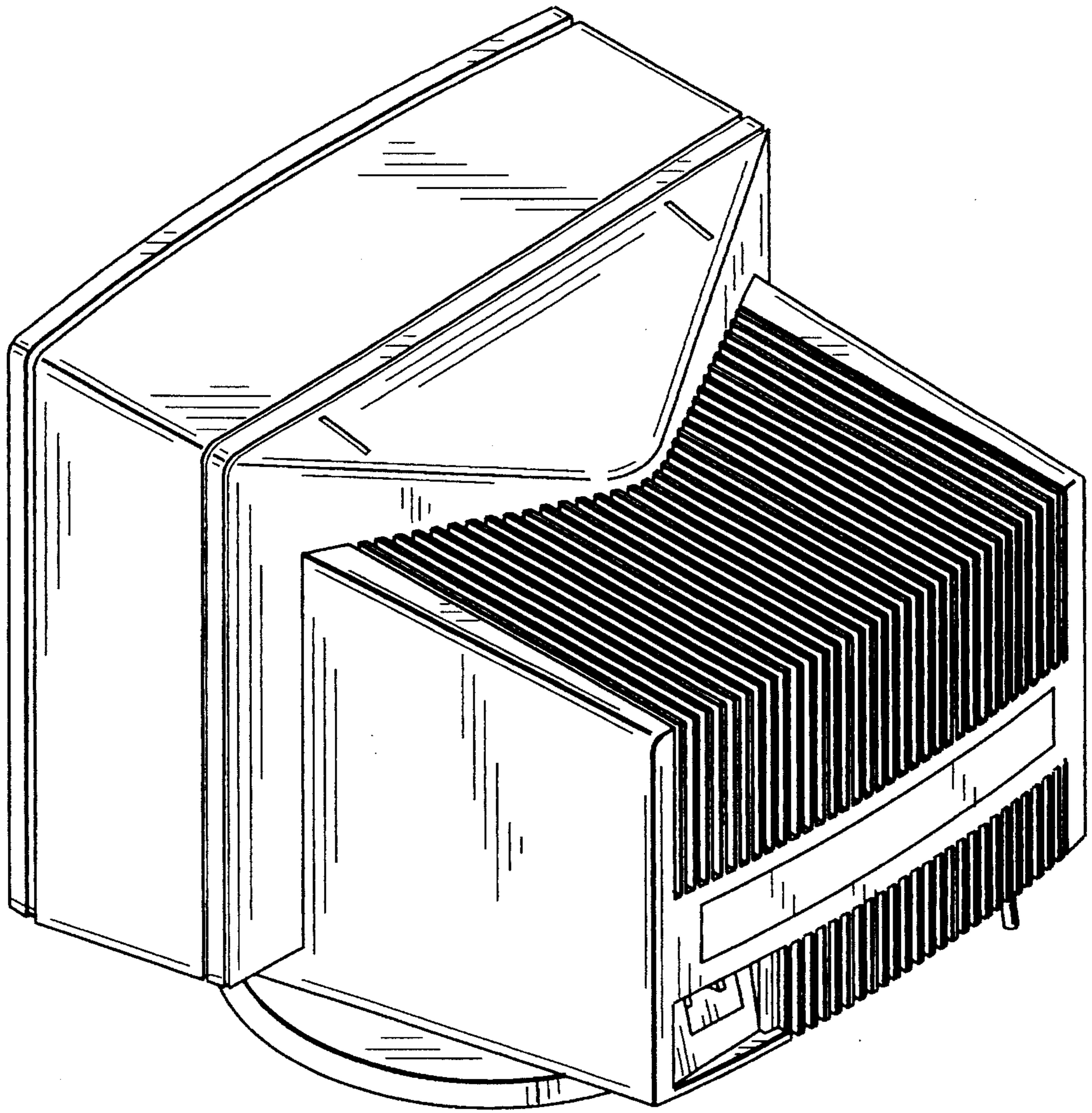


FIG. 2

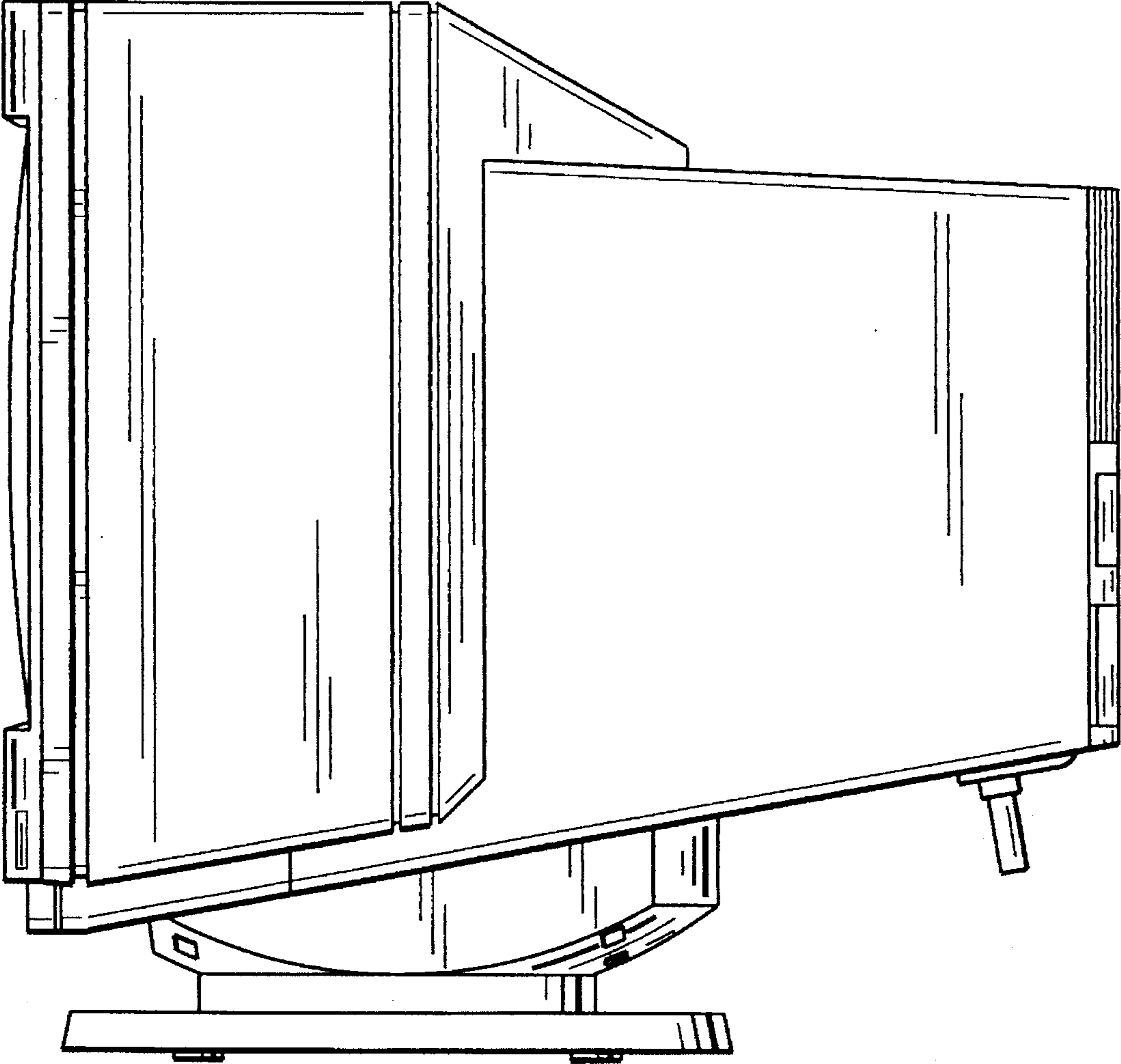


FIG. 3

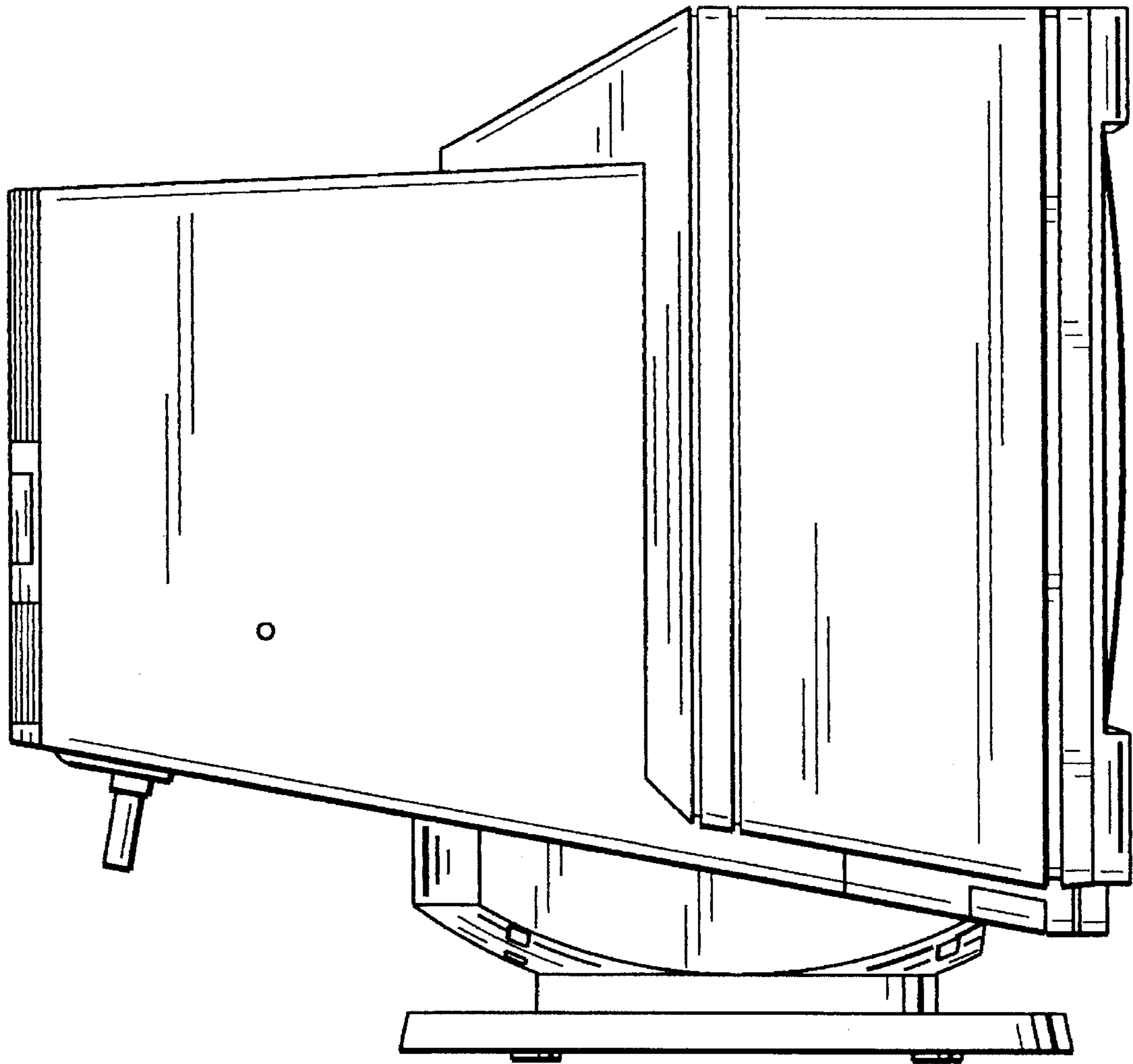


FIG. 4

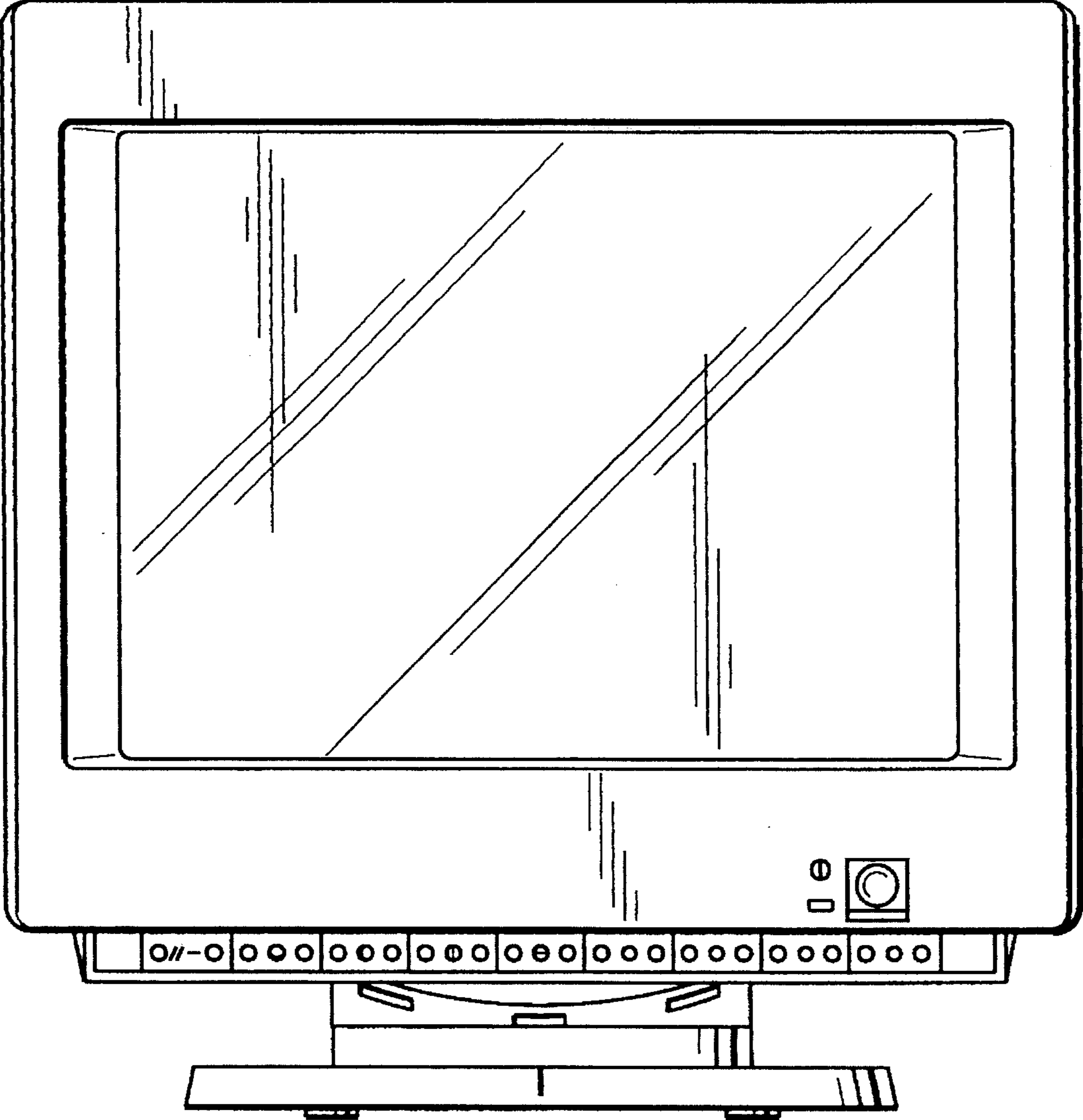


FIG. 5

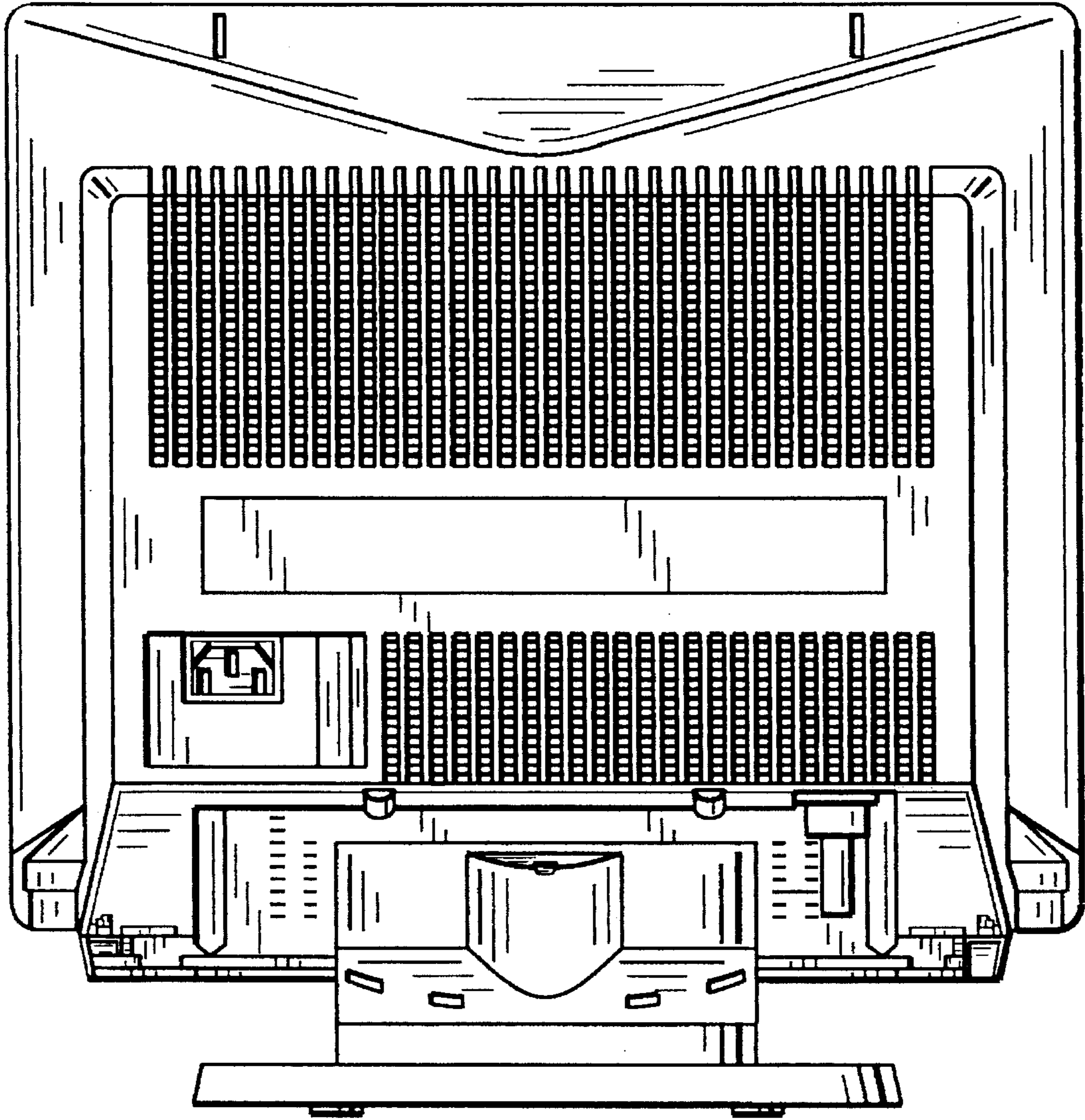


FIG. 6

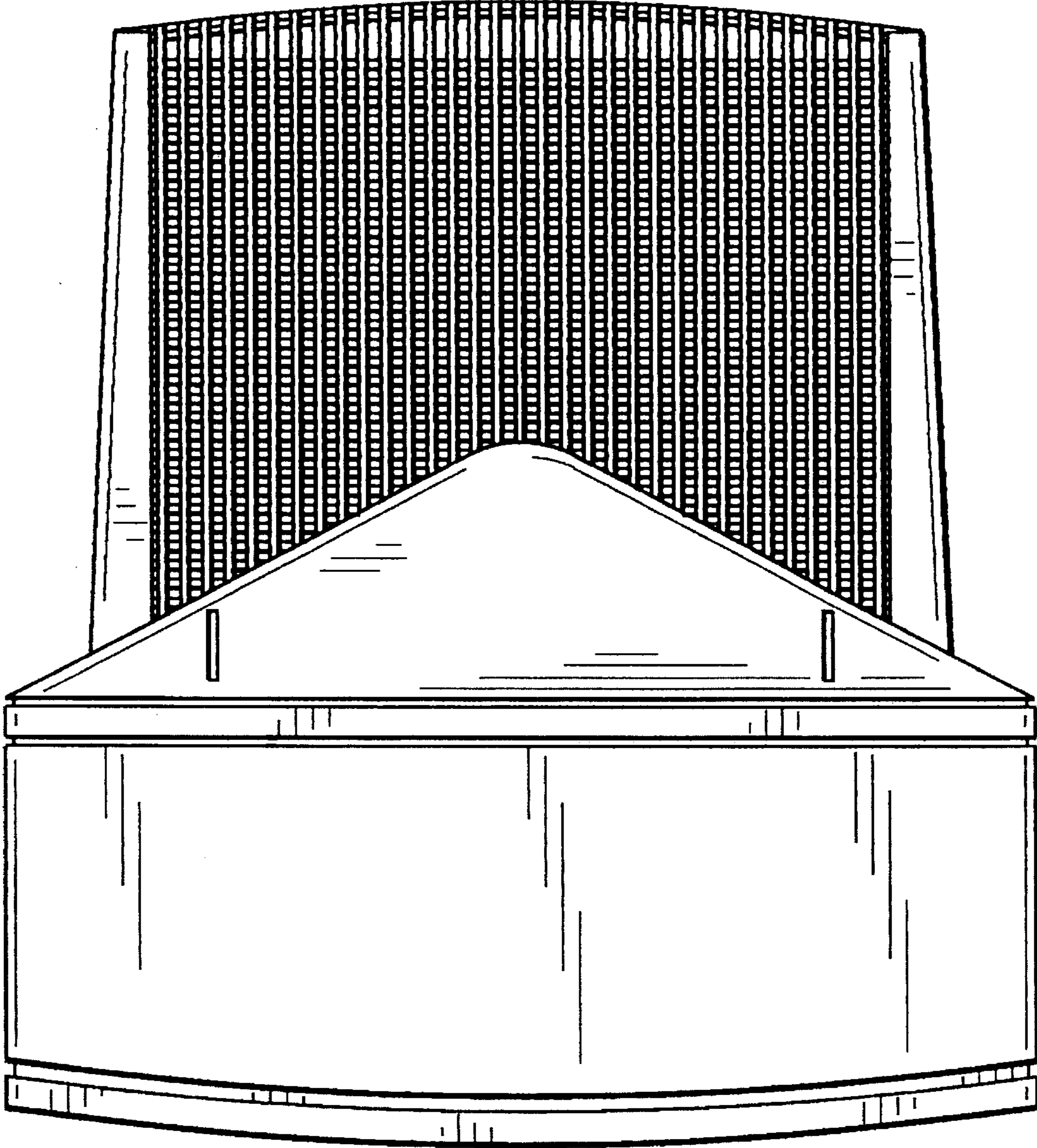


FIG. 7

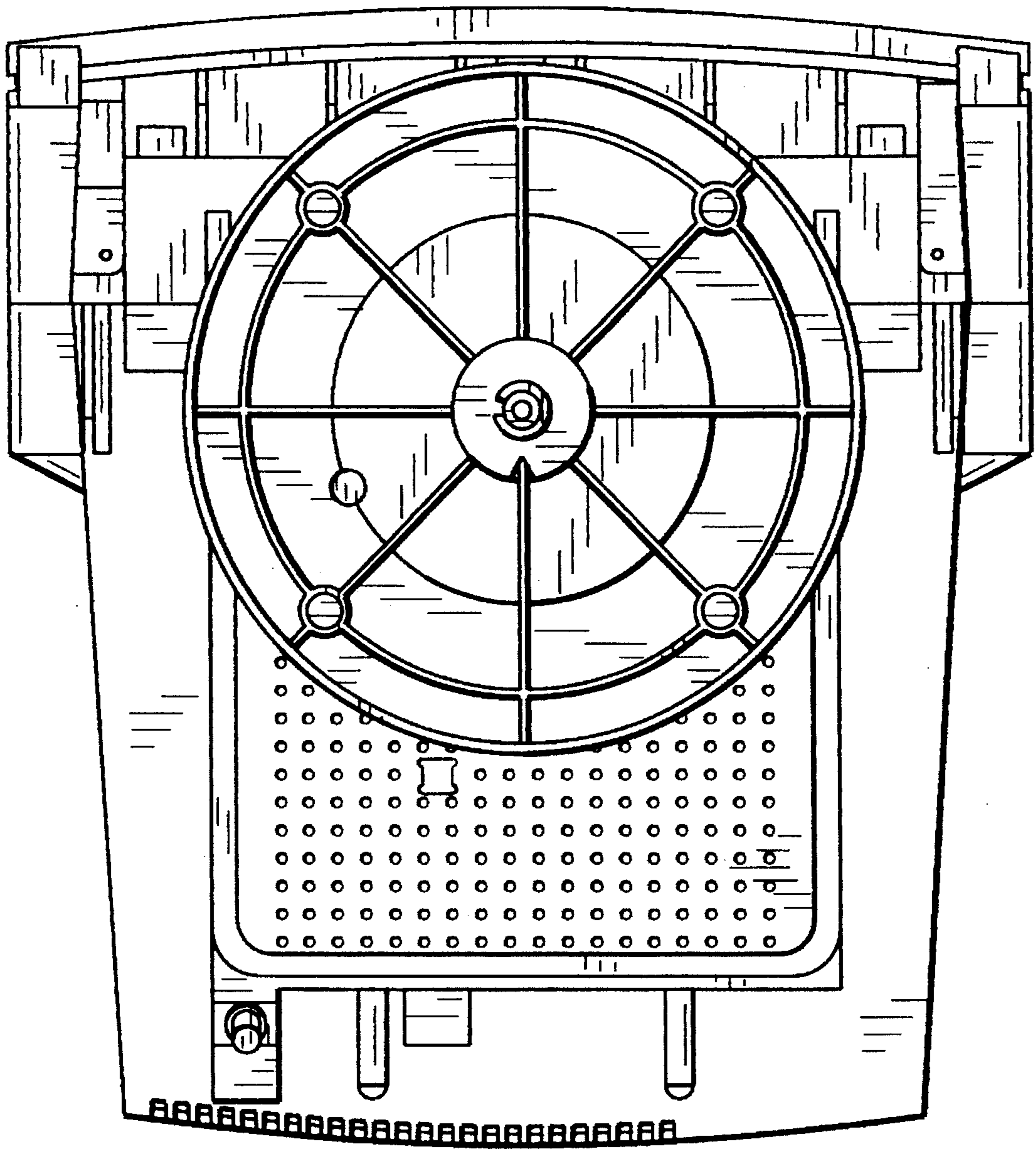


FIG. 8