



US00D375942S

United States Patent [19]

[11] Patent Number: **Des. 375,942**

Fursier et al.

[45] Date of Patent: ****Nov. 26, 1996**

[54] **ENCLOSURE FOR ELECTRONIC EQUIPMENT**

[76] Inventors: **Roger Fursier**, Butts, Park House, Longlands, GB-Saltash, Cornwall, Great Britain; **Claus-Dieter Bovermann**, Am Oberg 7, 3565 Breidenbach-Niederdielen, Germany; **Norbert Muller**, Auf der Weide 1, 6344 Dietzholztal-Ewersbach, Germany; **Wolfgang Schuler**, Richard-Wagner-Ring 8, 6332 Ehringshausen, Germany

[*] Notice: The terminal 44 months of this patent has been disclaimed.

[**] Term: **14 Years**

[21] Appl. No.: **508,341**

[22] Filed: **Apr. 11, 1990**

[30] **Foreign Application Priority Data**

Oct. 11, 1989 [DE] Germany M8907077.1

[52] U.S. Cl. **D13/184**

[58] Field of Search D13/152, 184; D14/240, 256; 361/356, 391, 415; 174/50, 59, 65 R; 439/521, 535; 220/3.2, 3.8, 220, 334; 379/399, 428, 437

[56] **References Cited**

U.S. PATENT DOCUMENTS

D. 312,460 11/1990 Smith D14/240
D. 314,185 1/1991 Mazura et al. D13/184

D. 319,630 9/1991 Hudson et al. D13/184
D. 325,902 5/1992 Hudson et al. D13/184
D. 326,088 5/1992 Hudson et al. D13/184
3,320,488 5/1967 Karew et al. 361/391 X
4,002,955 1/1977 Eggert et al. 361/391
4,187,764 9/1981 Staab et al. 361/415 X
4,690,286 9/1987 Horne et al. D13/184 X
4,800,588 1/1989 Paster, Jr. D13/184 X

FOREIGN PATENT DOCUMENTS

2138213 10/1984 United Kingdom D13/184 X

Primary Examiner—Wallace R. Burke

Assistant Examiner—Joel Sincavage

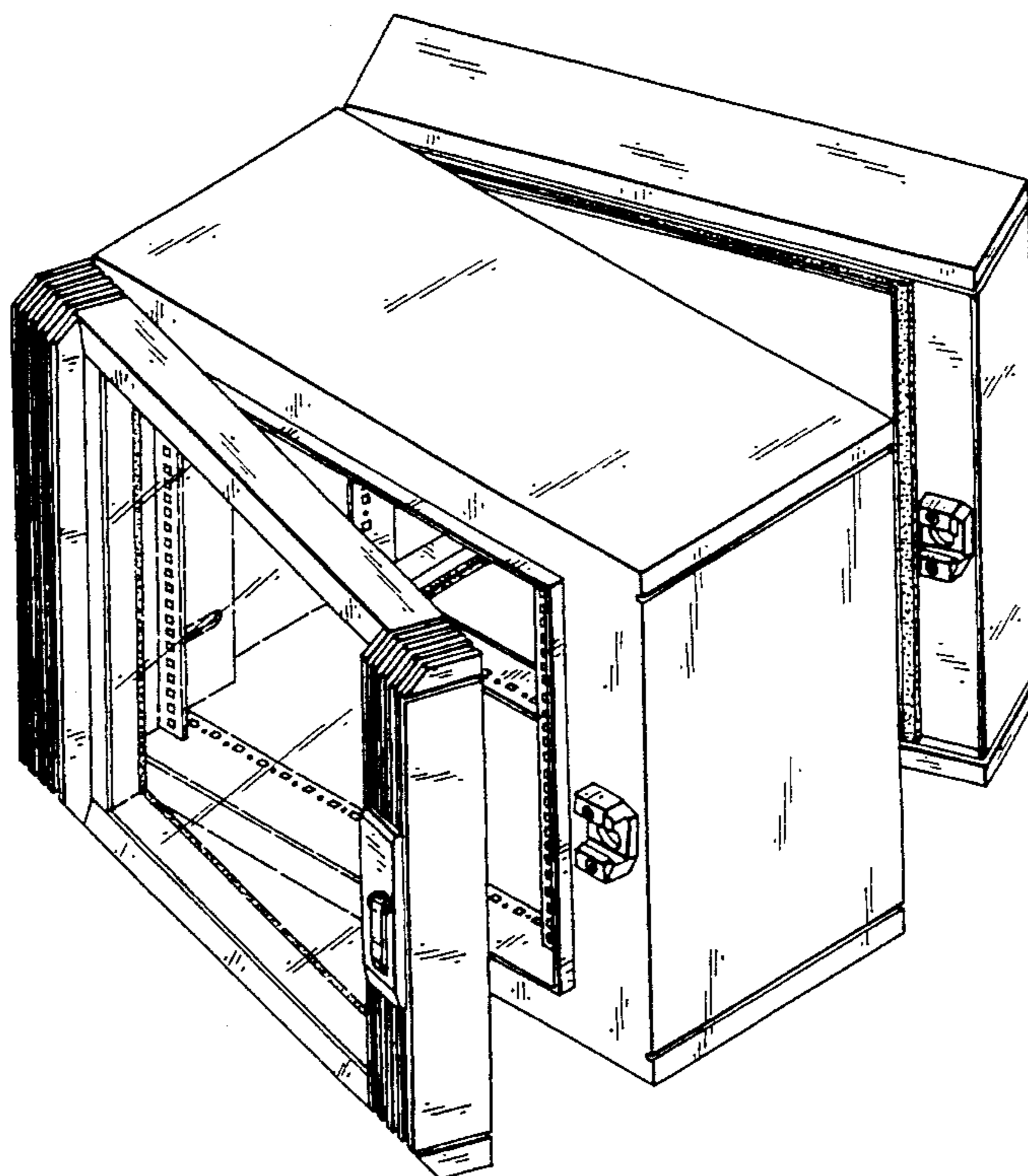
[57] **CLAIM**

The ornamental design for an enclosure for electronic equipment, as shown and described.

DESCRIPTION

FIG. 1 is a front elevational view of an enclosure for electronic equipment showing our new design; FIG. 2 is a rear elevational view thereof; FIG. 3 is a right side elevational view thereof; FIG. 4 is a left side elevational view thereof; FIG. 5 is a bottom plan view thereof; FIG. 6 is a top plan view thereof; FIG. 7 is a front and upper right perspective view of the enclosure for electronic equipment shown on an enlarged scale; FIG. 8 is a front and upper right perspective view thereof shown with the front door in the open position; and, FIG. 9 is a front and upper right perspective view thereof shown with the front and rear doors in the open position.

1 Claim, 6 Drawing Sheets



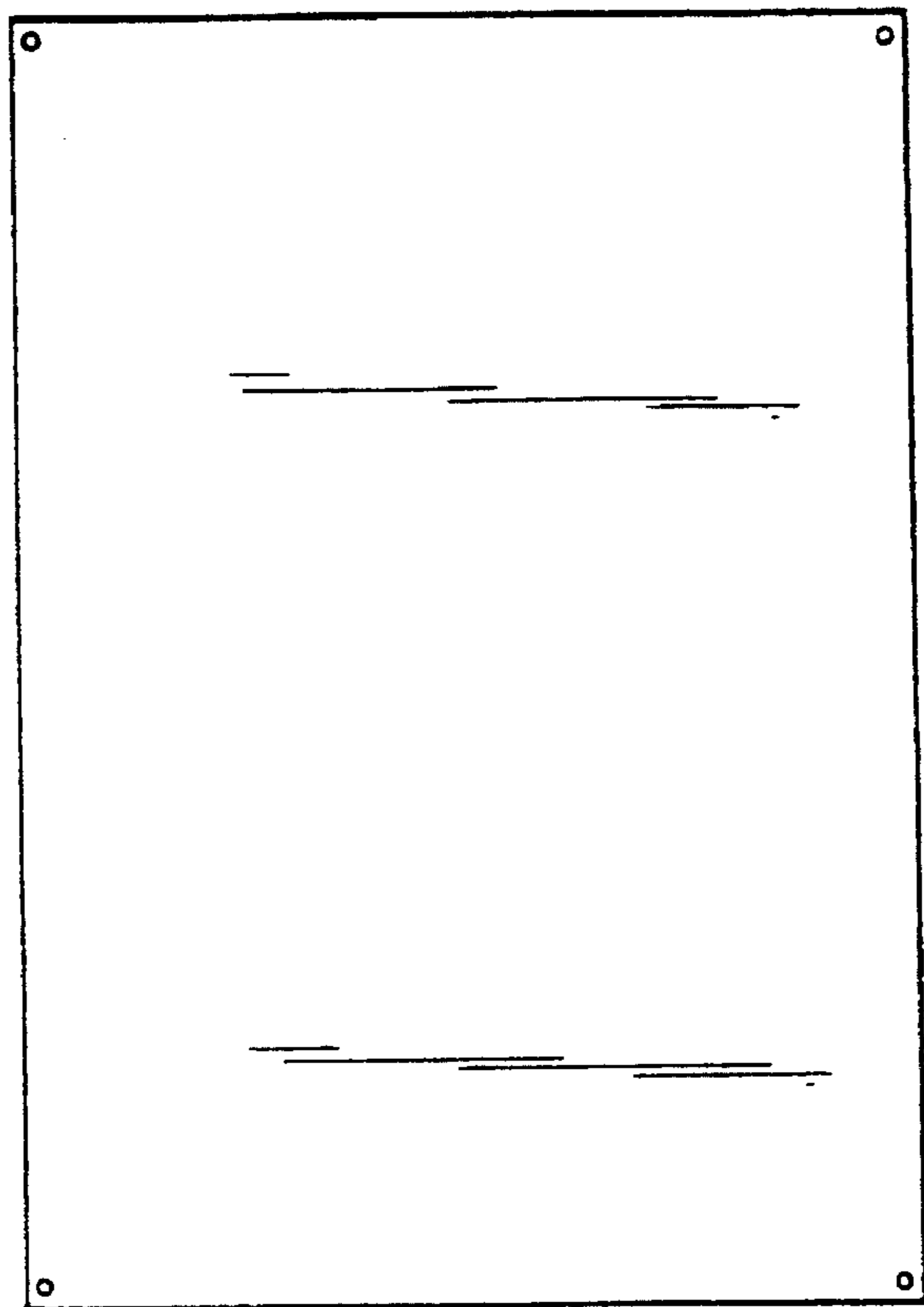


FIG. 2

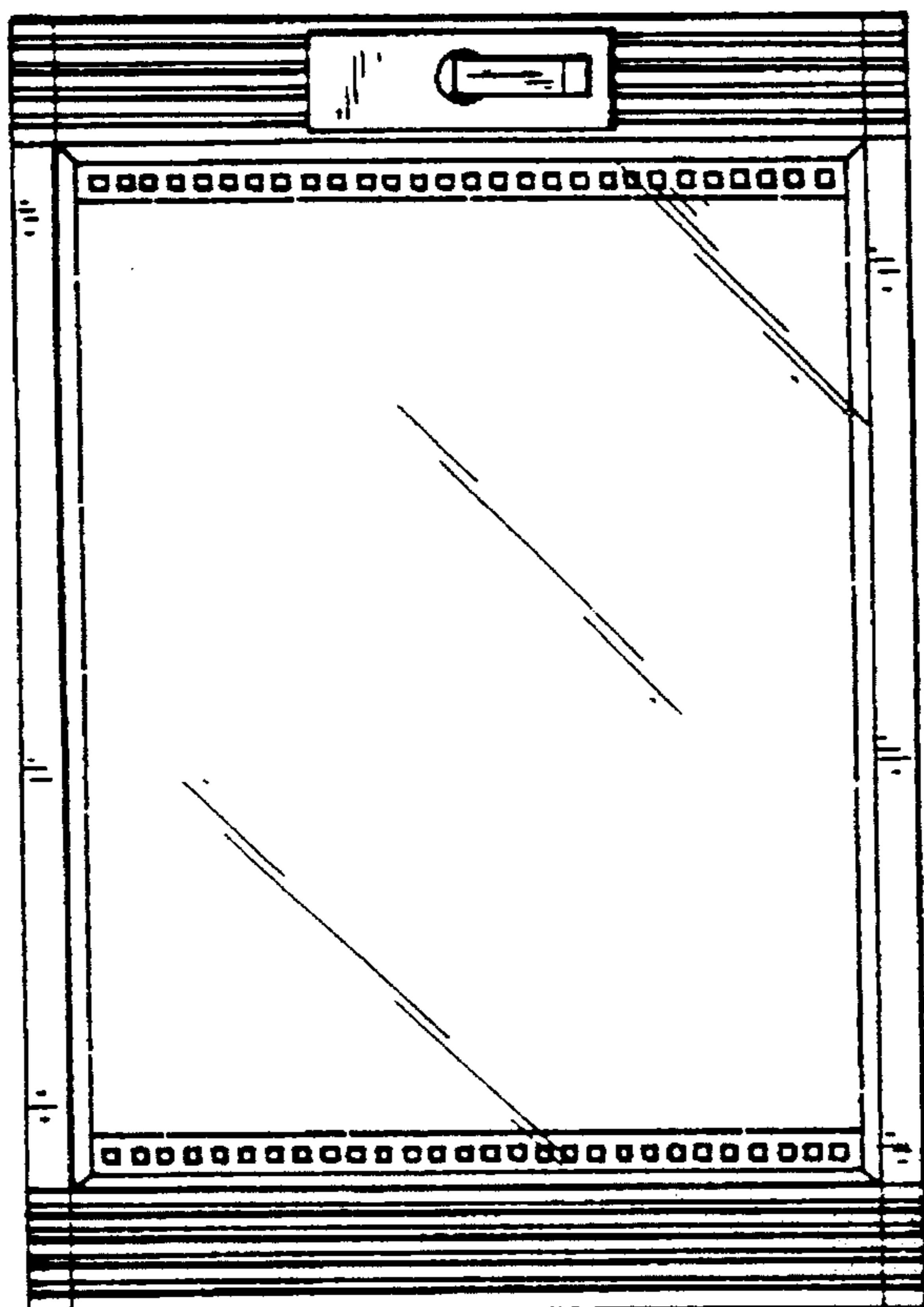


FIG. 1

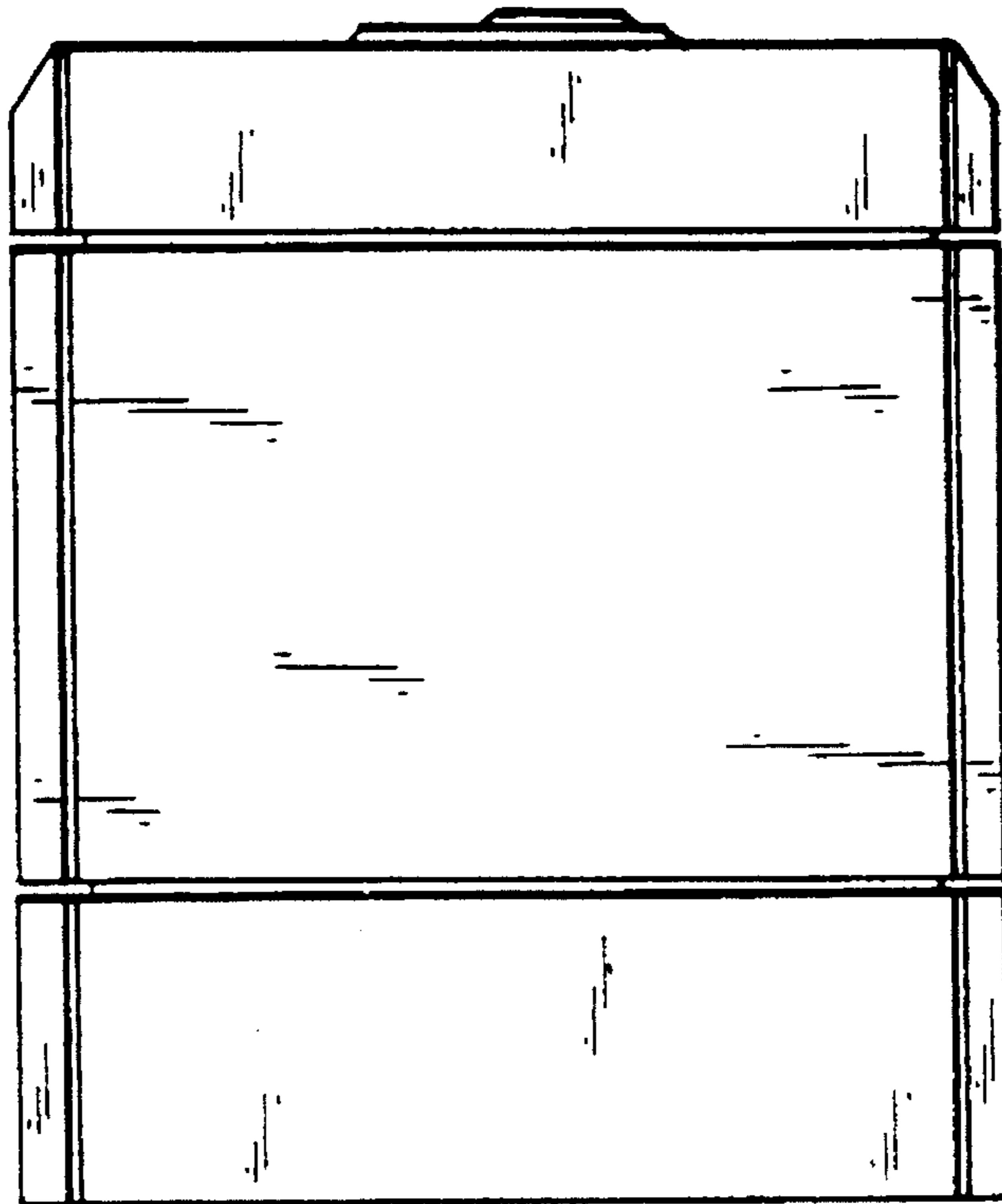


FIG. 4

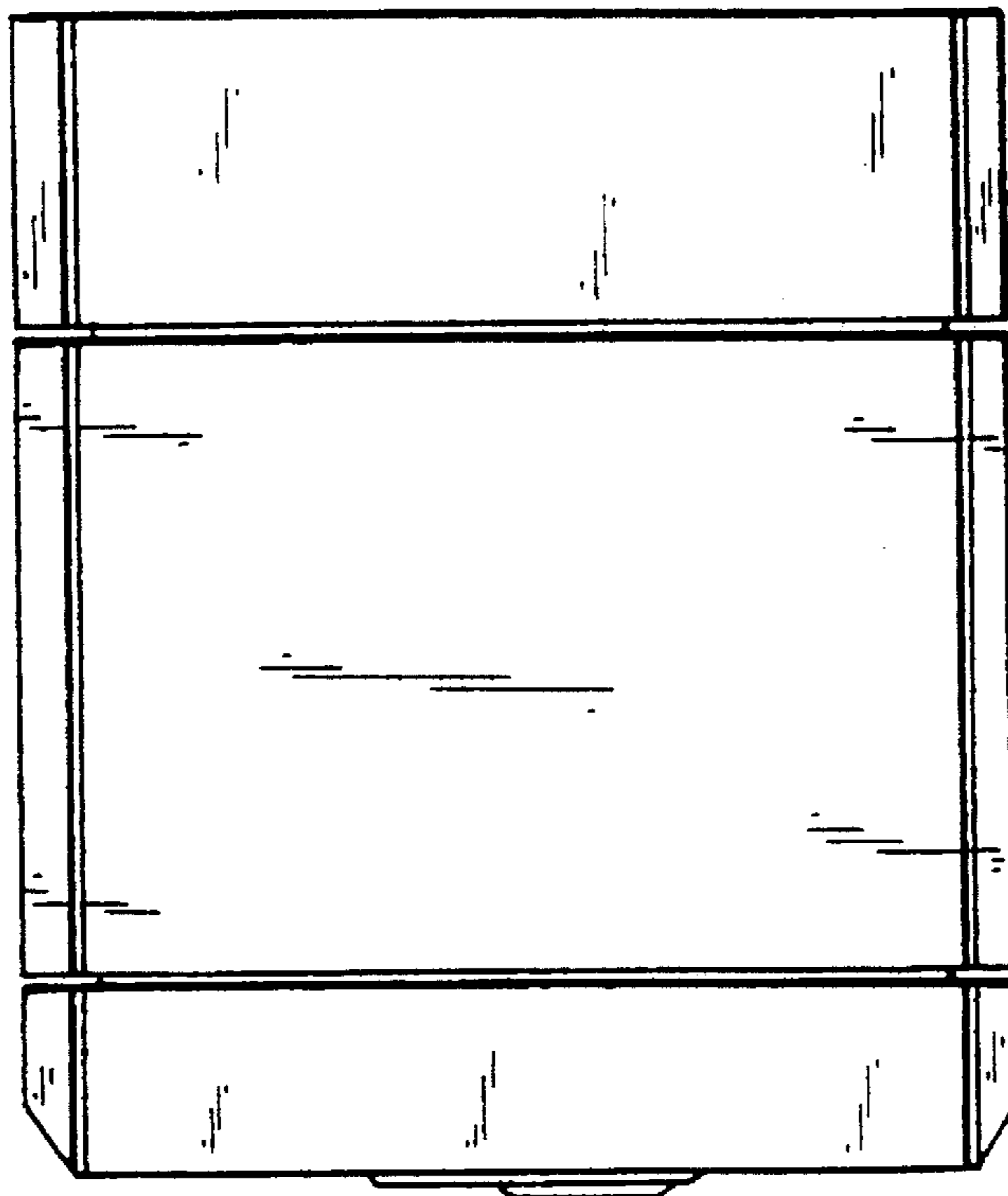


FIG. 3

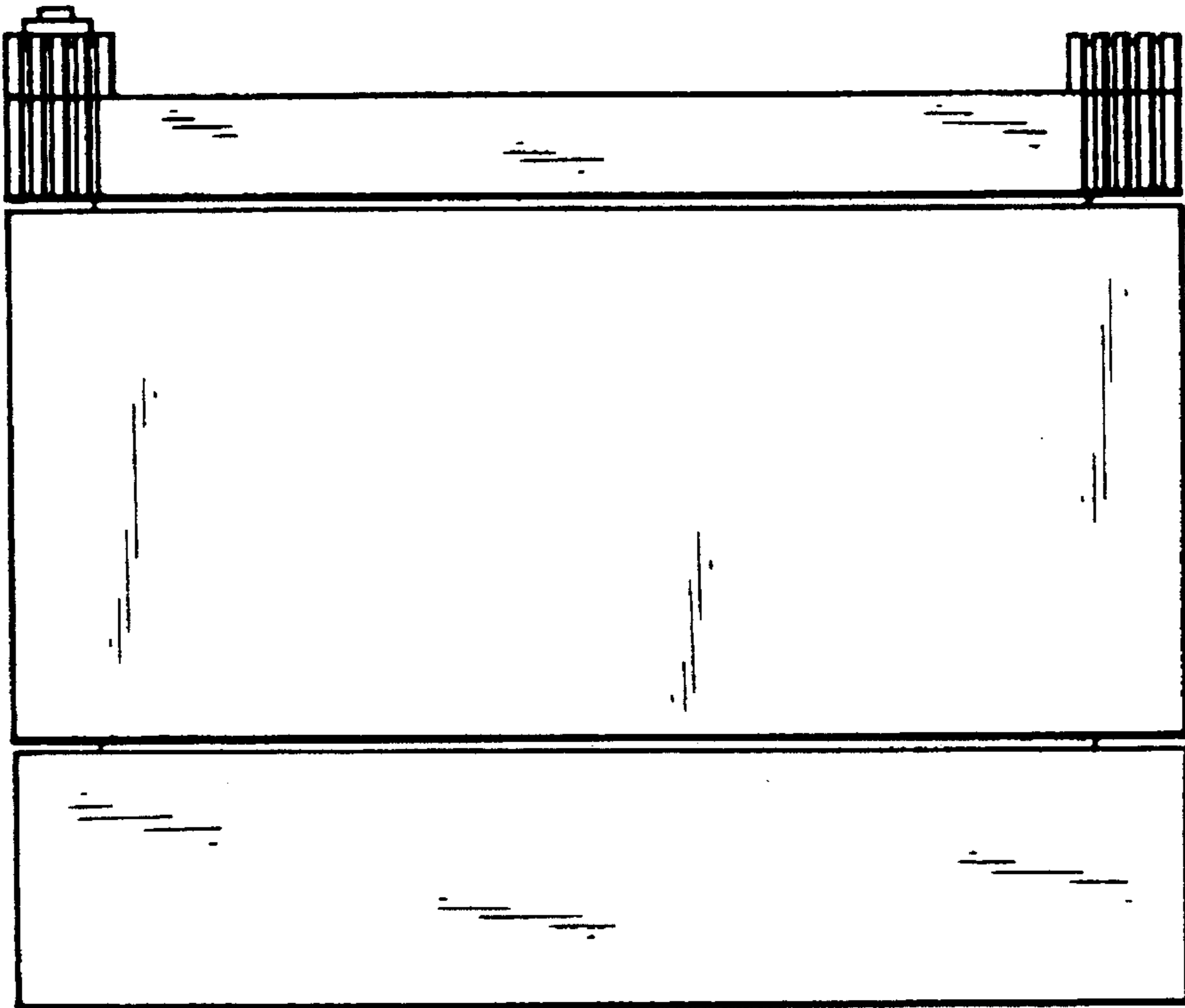


FIG. 5

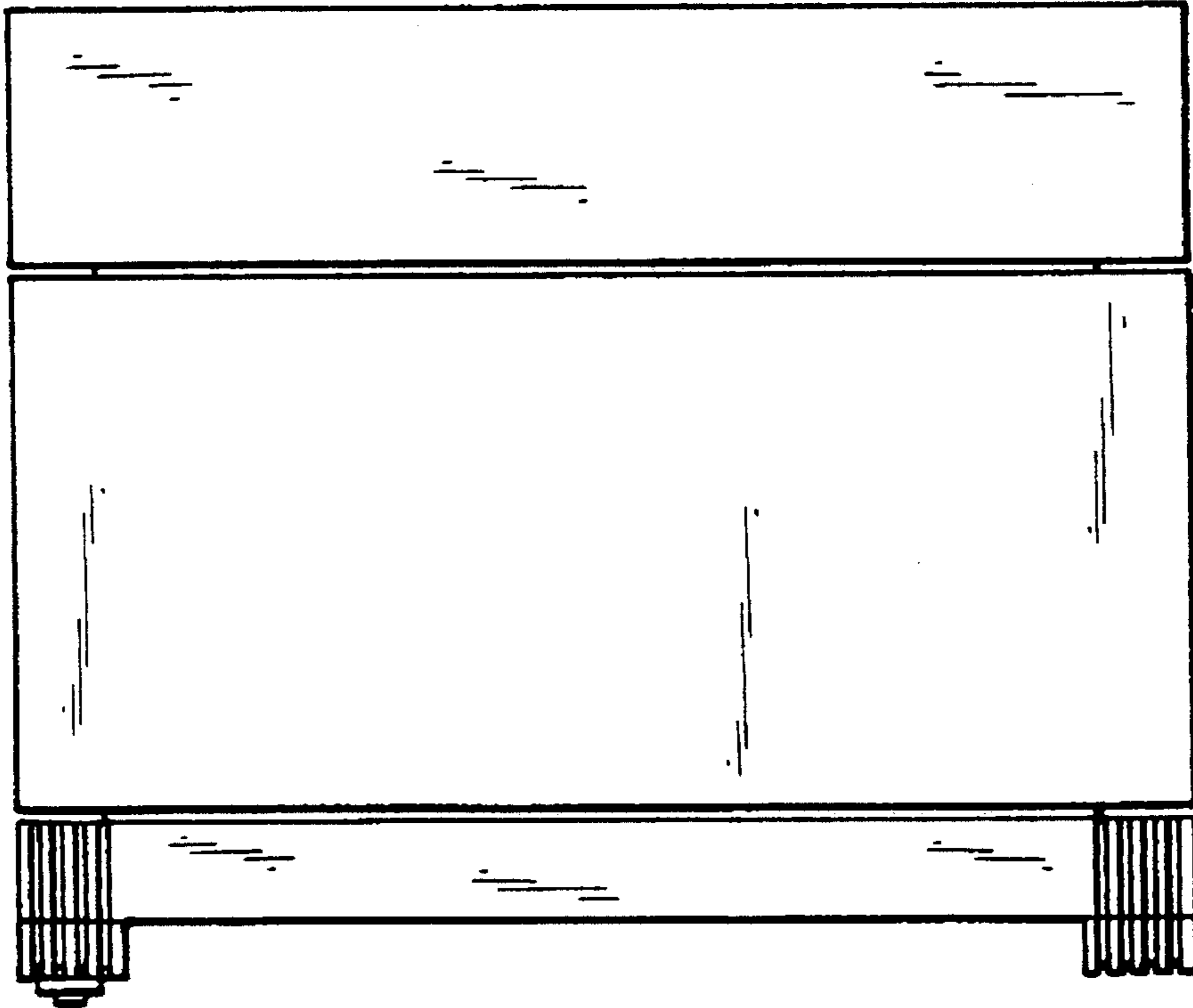


FIG. 6

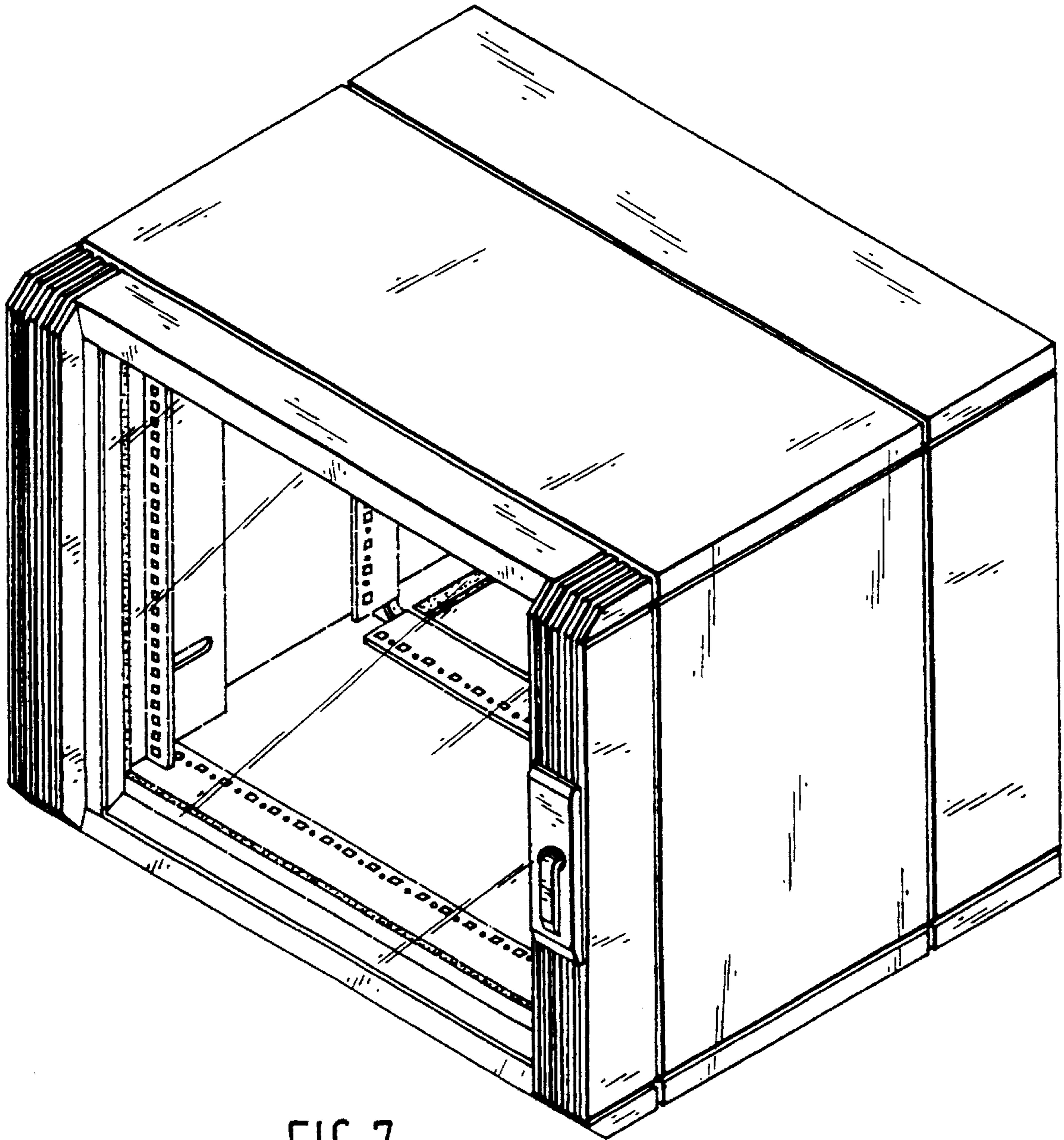


FIG. 7

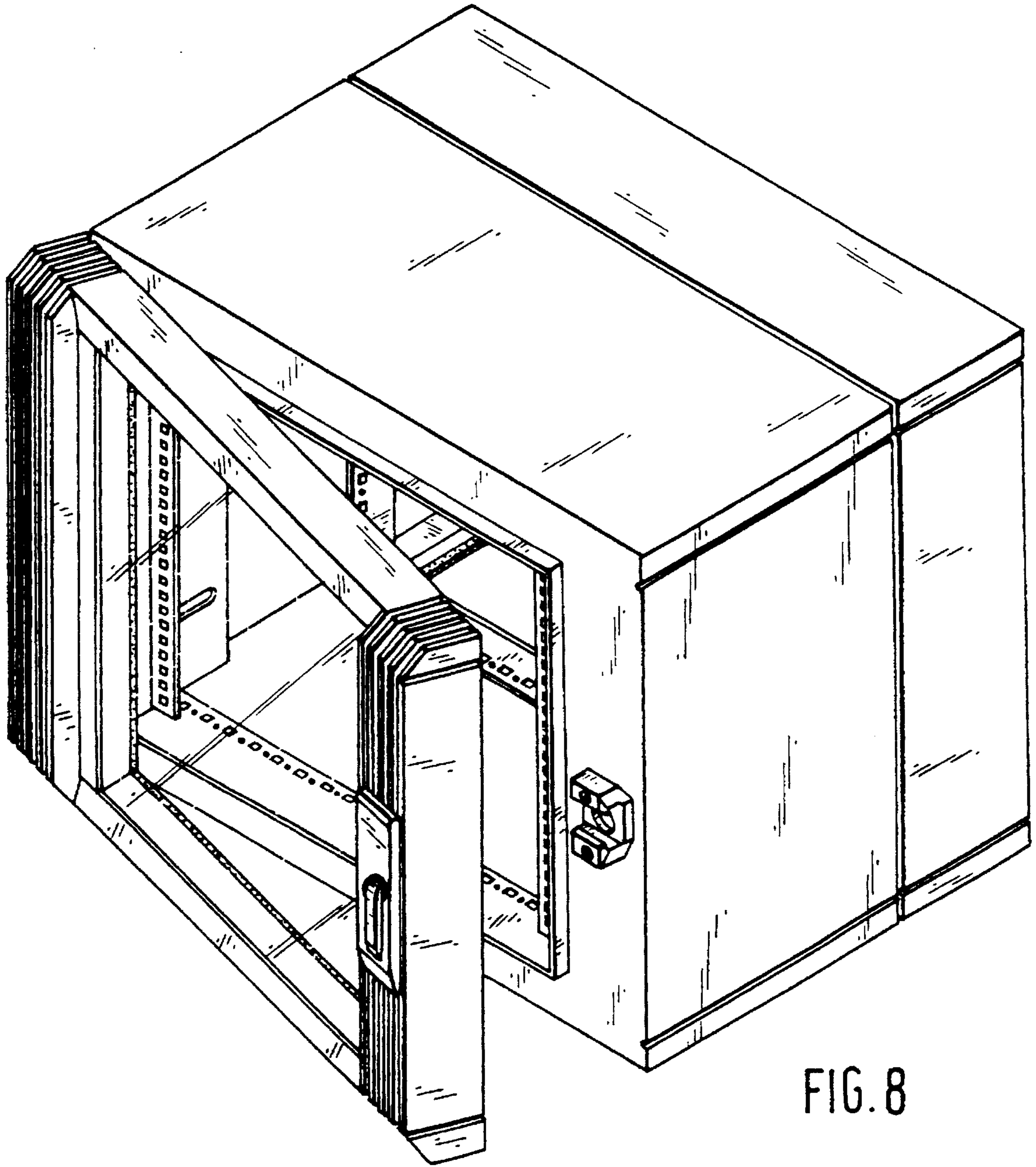


FIG. 8

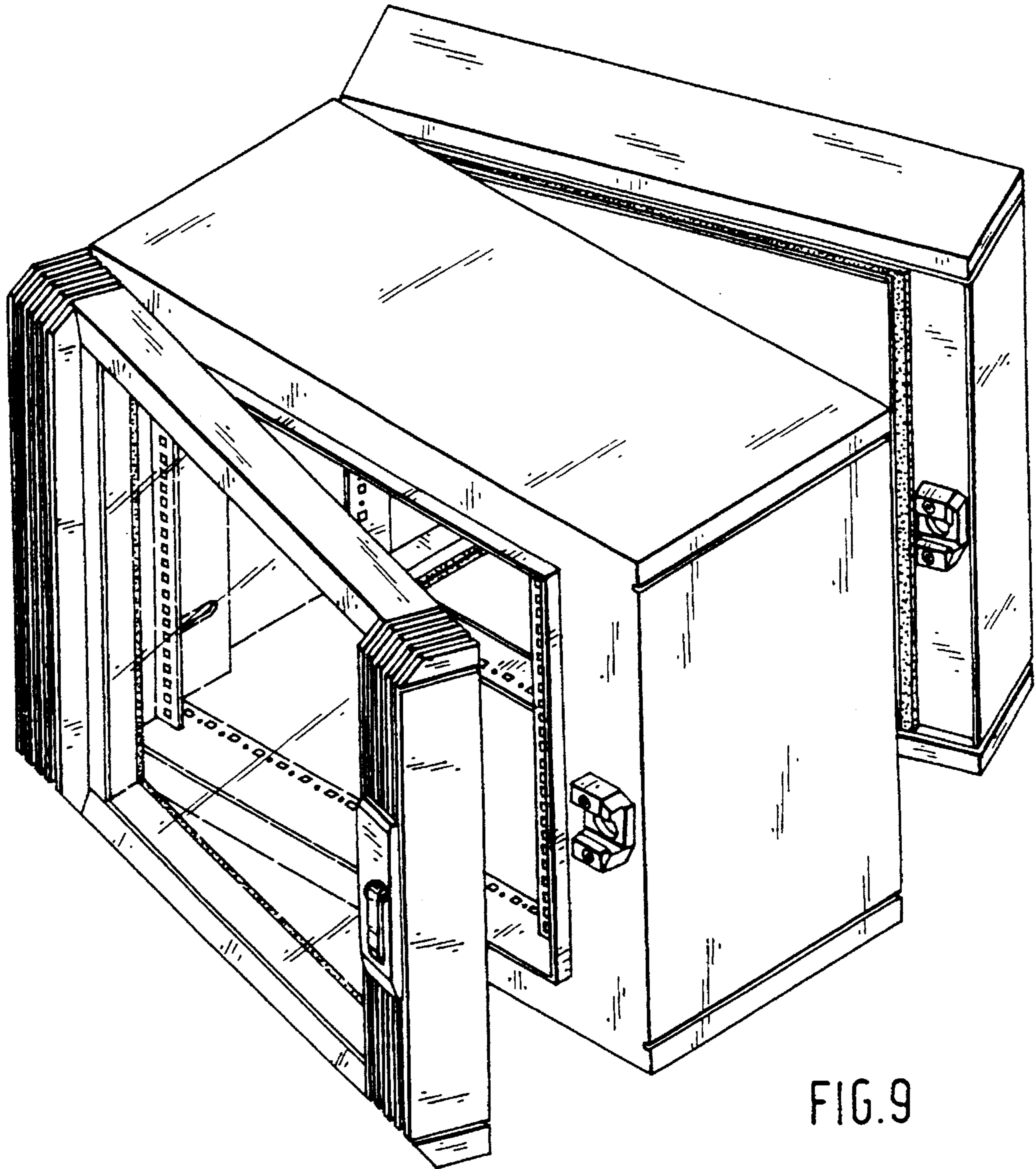


FIG. 9