



US00D375941S

**United States Patent** [19]  
**Kerklaan**

[11] **Patent Number: Des. 375,941**

[45] **Date of Patent: \*\*Nov. 26, 1996**

[54] **TOP, FRONT, REAR, LEFT AND RIGHT SIDES OF AN ENLARGED JACKETED CIRCUIT CARD**

[75] Inventor: **Albert J. Kerklaan**, Milton, Canada

[73] Assignee: **International Business Machines Corporation**, Armonk, N.Y.

[\*\*] Term: **14 Years**

[21] Appl. No.: **9,269**

[22] Filed: **Jun. 7, 1993**

[30] **Foreign Application Priority Data**

Dec. 8, 1992 [CA] Canada ..... 08-12-92-5

[52] **U.S. Cl.** ..... **D13/182; D14/114**

[58] **Field of Search** ..... **D13/182; D14/105, D14/107, 114, 117; 174/52.1; 361/679, 728, 736, 737, 742, 752, 802; 439/328, 377; 257/679**

[56] **References Cited**

**U.S. PATENT DOCUMENTS**

D. 261,644	11/1981	McKinsey et al. ....	D14/114
D. 298,327	11/1988	Kimura .....	D14/114
D. 301,341	5/1989	Miyashita .....	D14/114
D. 305,886	2/1990	Banjo et al. ....	D14/117

D. 344,260	2/1994	Leiserson et al. ....	D13/103
D. 346,784	5/1994	Leiserson et al. ....	D13/103
4,810,200	5/1989	Sakamoto .....	439/328 X
5,031,076	7/1991	Kiku .....	174/35 R X
5,107,073	4/1992	Steffen .....	174/52.1
5,214,498	5/1993	Lehman et al. ....	257/678
5,333,100	7/1994	Anhalt et al. ....	361/818
5,339,222	8/1994	Simmons et al. ....	361/818

*Primary Examiner*—Joel Sincavage  
*Attorney, Agent, or Firm*—Anthony N. Magistrale

[57] **CLAIM**

The ornamental design for the top, front, rear, left and right views of an enlarged jacketed circuit card, as shown and described.

**DESCRIPTION**

FIG. 1 is a top view of a personal computer memory card showing my new design;

FIG. 2 is front and upper right isometric view thereof;

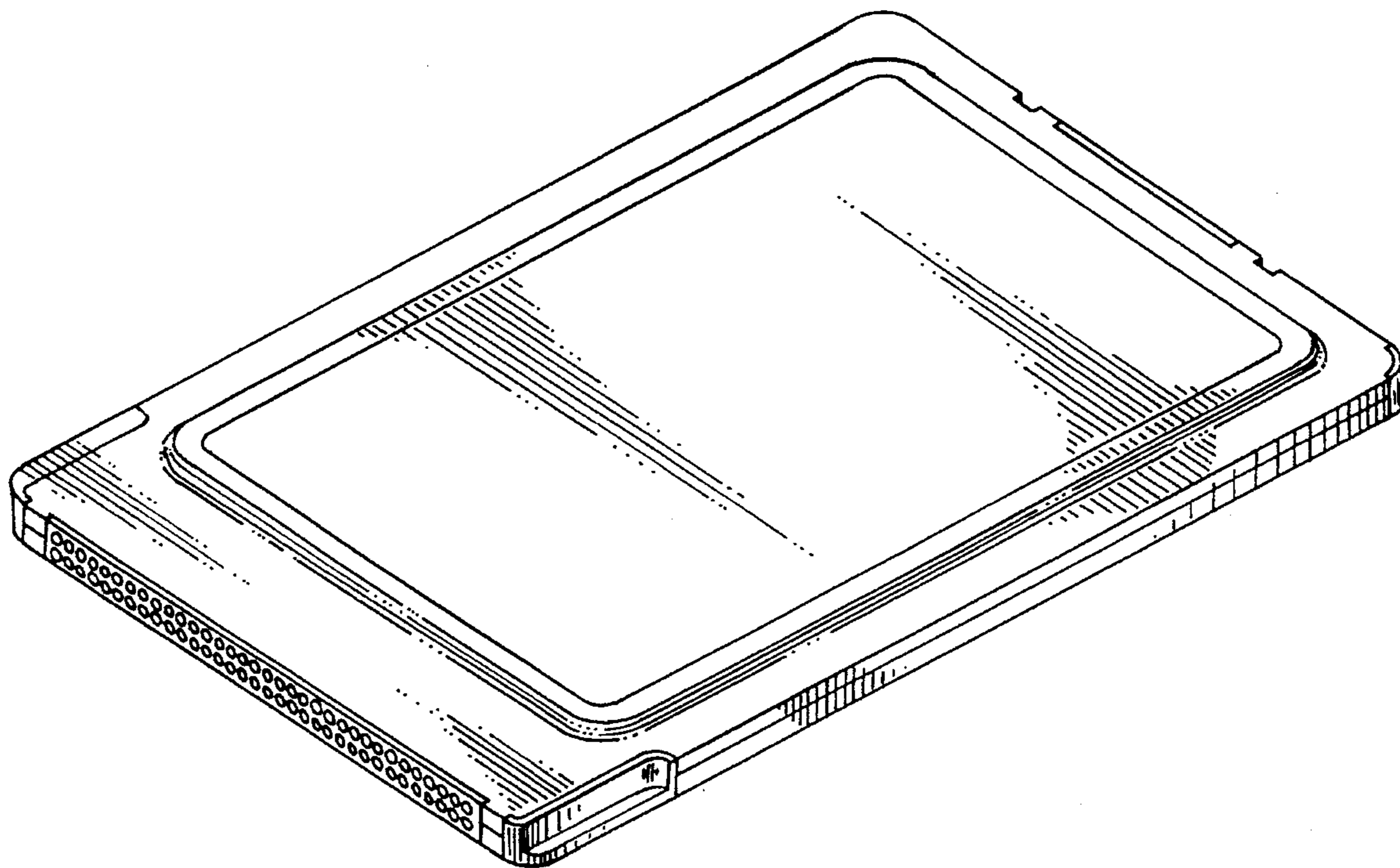
FIG. 3 is a left side view thereof;

FIG. 4 is an enlarged front view thereof; and,

FIG. 5 is an enlarged rear view thereof.

The broken line showing in FIGS. 3, 4 and 5 is included for the purpose of illustrating environmental structure only and forms no part of the claimed design.

**1 Claim, 3 Drawing Sheets**



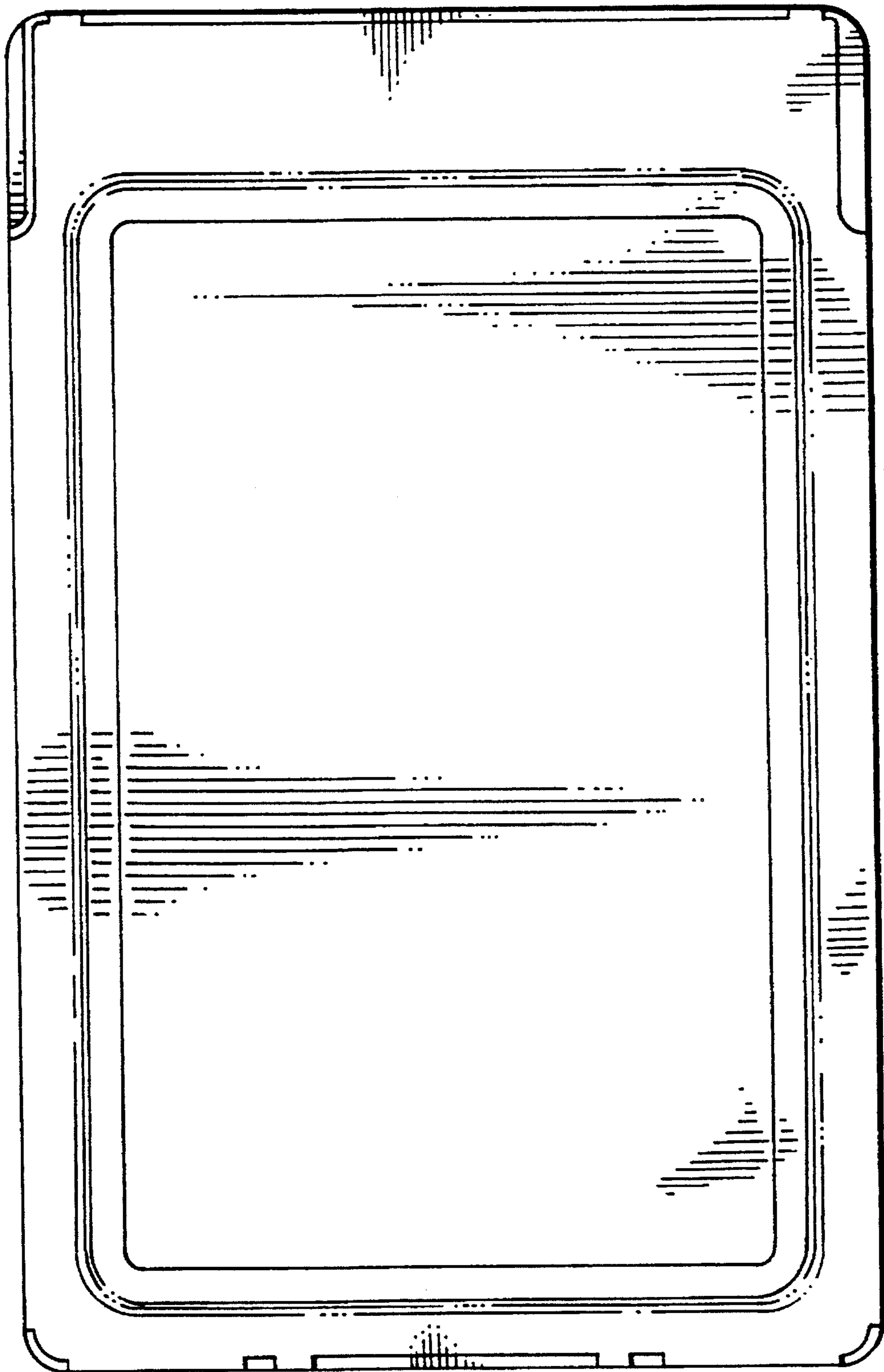


FIG. 1

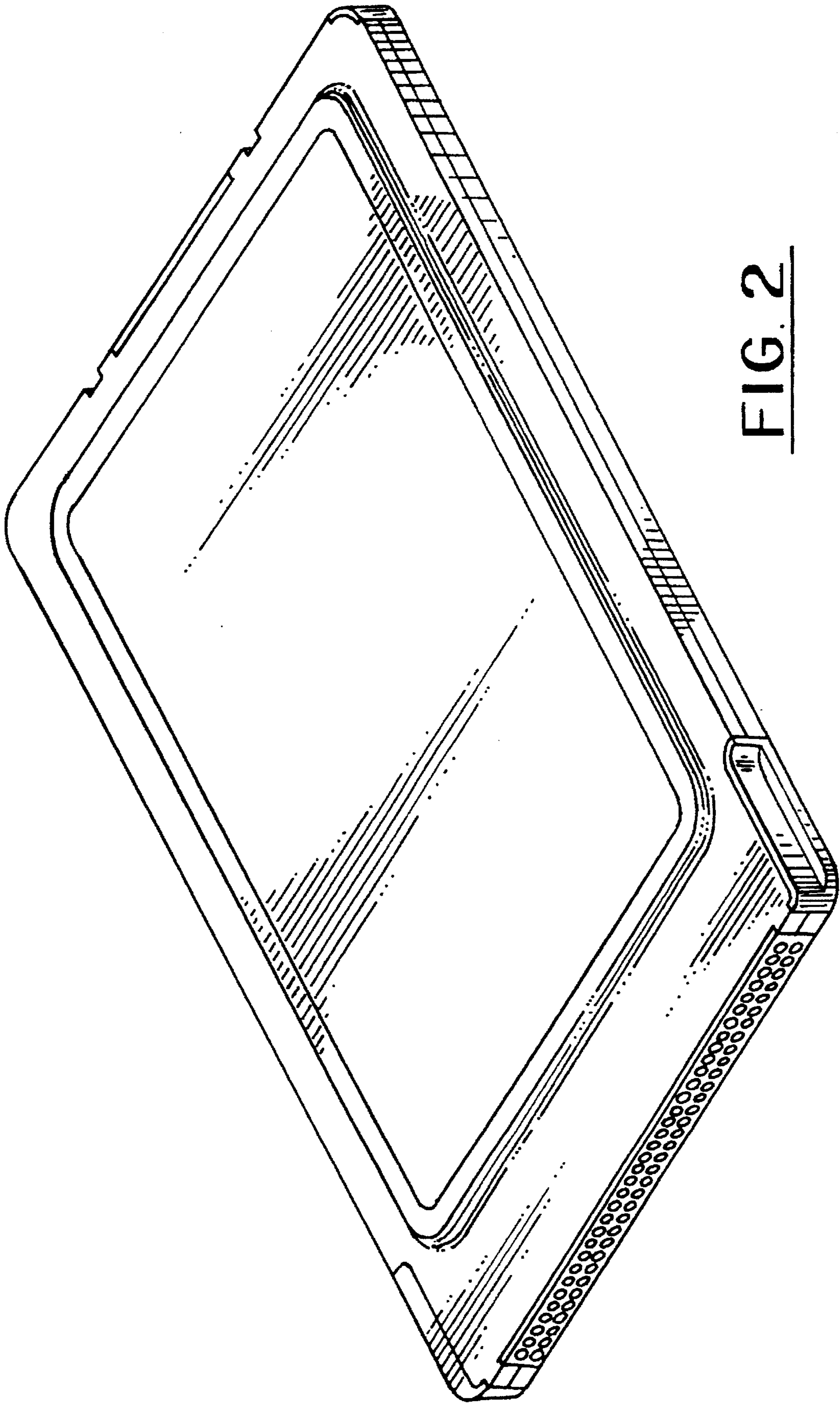


FIG. 2

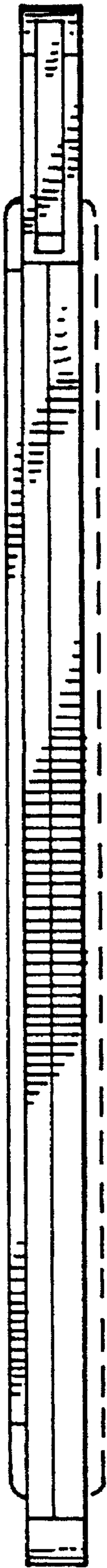


FIG. 3

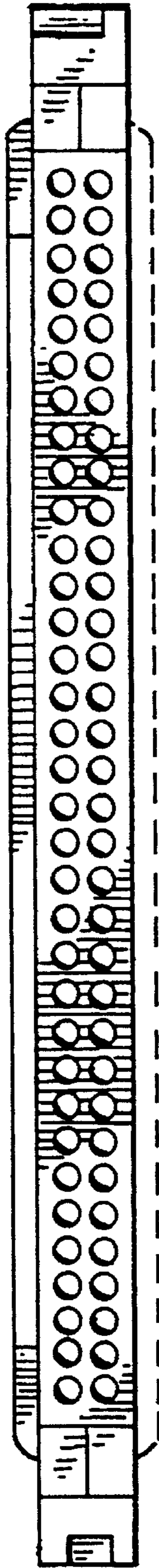


FIG. 4



FIG. 5