



US00D375937S

United States Patent [19]

Mergenthaler et al.

[11] Patent Number: **Des. 375,937**

[45] Date of Patent: ****Nov. 26, 1996**

[54] **WIRELESS LOCAL LOOP POWER SUPPLY**

[75] Inventors: **Steven A. Mergenthaler**, Boulder, Colo.; **Dawn E. Beattie**, Carlsbad, Calif.; **Paul E. Jacobs**, La Jolla, Calif.; **Michael H. Daffara**, Ramona, Calif.; **James C. Wightman**, Bloomfield; **David C. Stowers**, Nutley, both of N.J.

[73] Assignee: **Qualcomm Incorporated**, San Diego, Calif.

[**] Term: **14 Years**

[21] Appl. No.: **47,360**

[22] Filed: **Dec. 1, 1995**

[52] U.S. Cl. **D13/110**; D14/240

[58] Field of Search D14/100, 107, D14/114, 140, 240, 256, 242, 142, 149; D13/110, 184; 307/150, 151; 363/15; 336/90; 361/836; D10/104

[56] **References Cited**

U.S. PATENT DOCUMENTS

- D. 240,233 6/1976 Bunnell D14/256
- D. 314,746 2/1991 Benjamin et al. D14/256 x
- D. 331,385 12/1992 Oka D13/110
- D. 331,394 12/1992 Kobayashi et al. D14/107

- D. 341,363 11/1993 Chambers D14/240
- D. 342,250 12/1993 Beaumont et al. D13/184 X
- D. 350,113 8/1994 Nagele D13/110
- D. 351,564 10/1994 Schepis D10/104
- D. 351,841 10/1994 Blankenship D14/107 X
- D. 357,007 4/1995 Cox D14/114
- D. 368,265 3/1996 Fan D14/256 X
- 4,939,623 7/1990 Equi et al. 361/836 X
- 5,019,767 5/1991 Shirai et al. 307/150 X

Primary Examiner—Jeffrey Asch
Attorney, Agent, or Firm—Russell B. Miller; Brian S. Edmonston

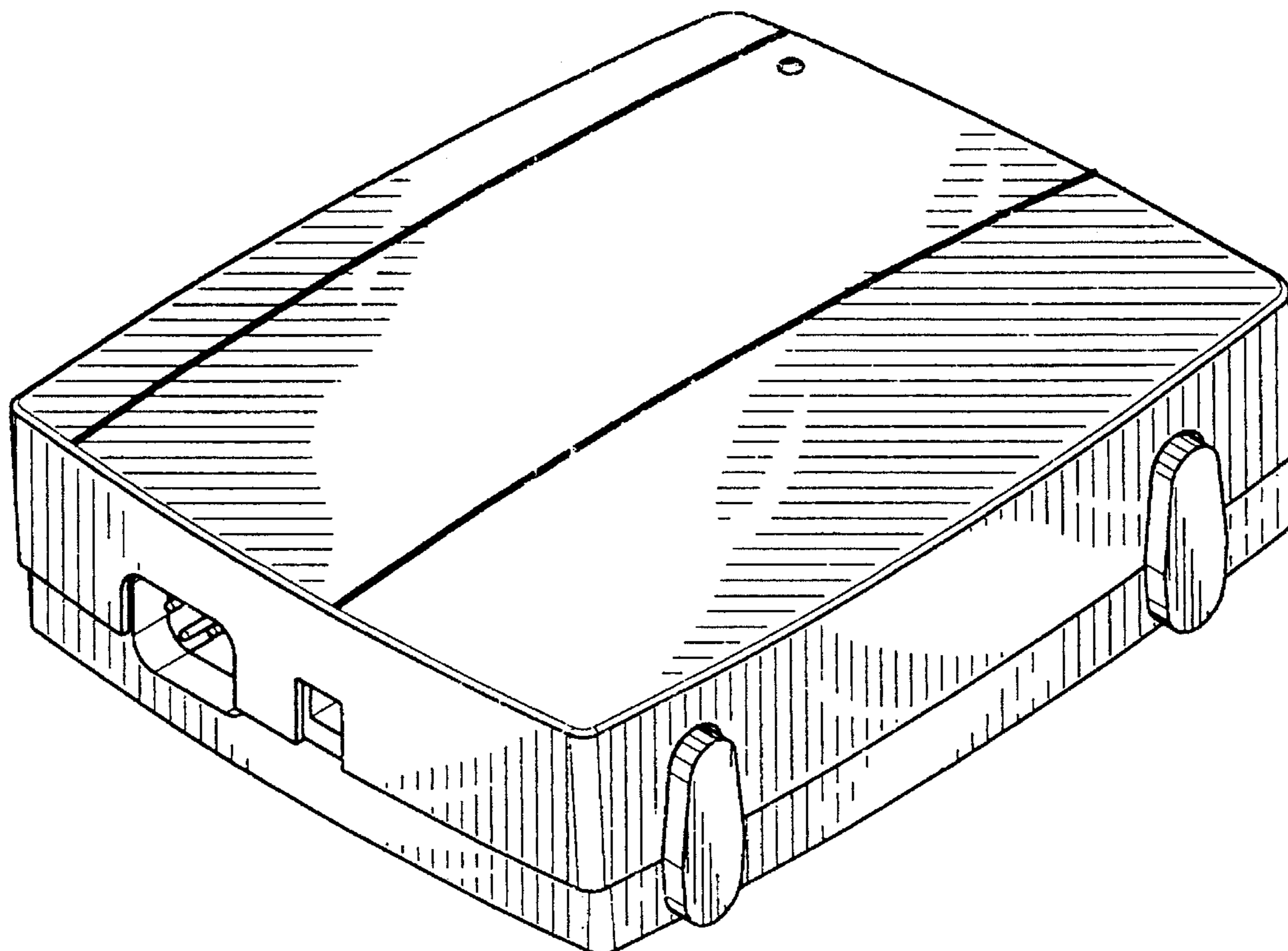
[57] **CLAIM**

The ornamental design for a wireless local loop power supply, as shown.

DESCRIPTION

FIG. 1 is a perspective view of the power supply showing our new design;
FIG. 2 is a top plan view thereof;
FIG. 3 is a side elevational view thereof;
FIG. 4 is a rear elevational view thereof;
FIG. 5 is a side elevational view of the other side thereof;
FIG. 6 is a front elevational view thereof; and,
FIG. 7 is a bottom plan view thereof.

1 Claim, 2 Drawing Sheets



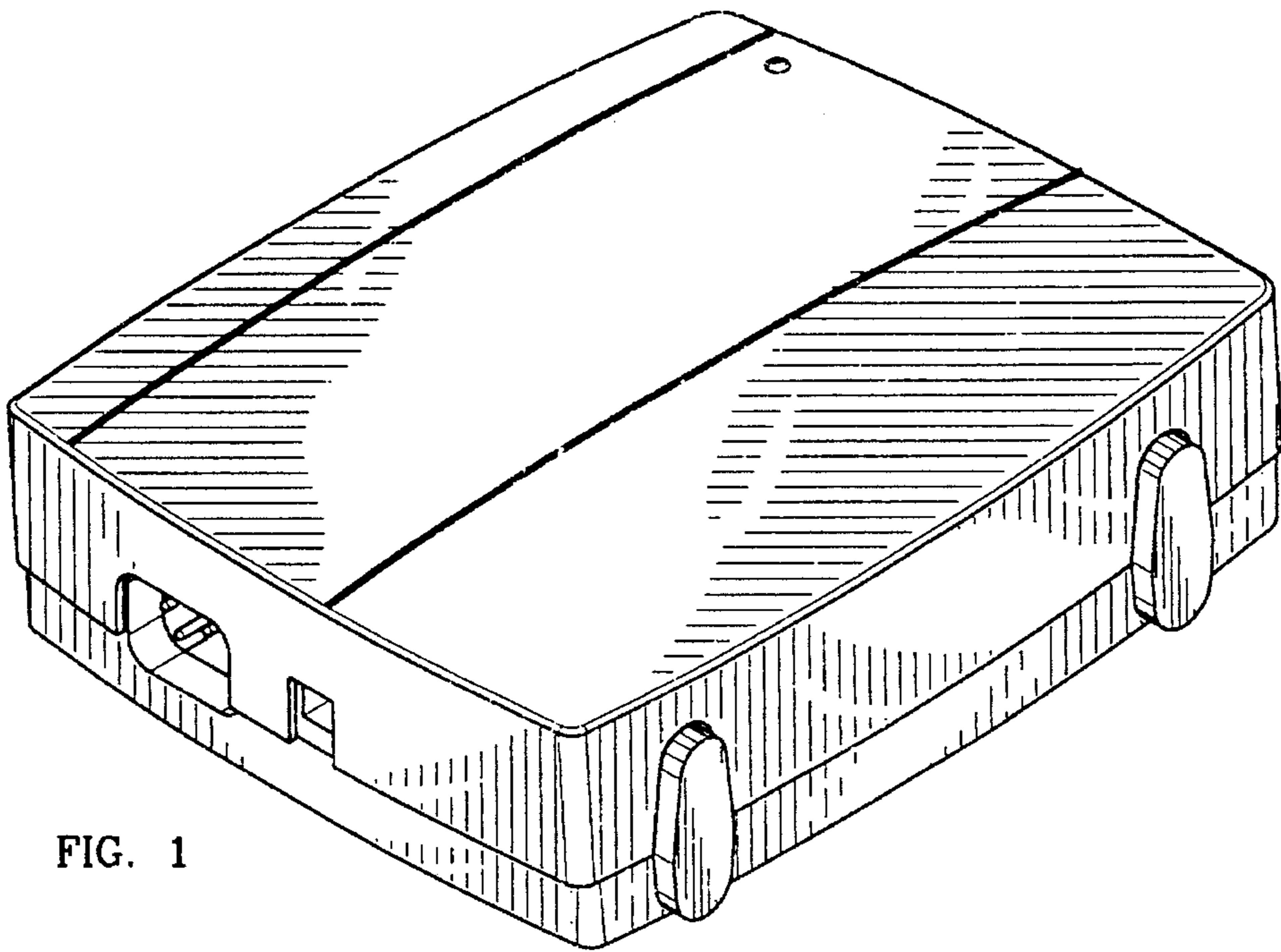


FIG. 1

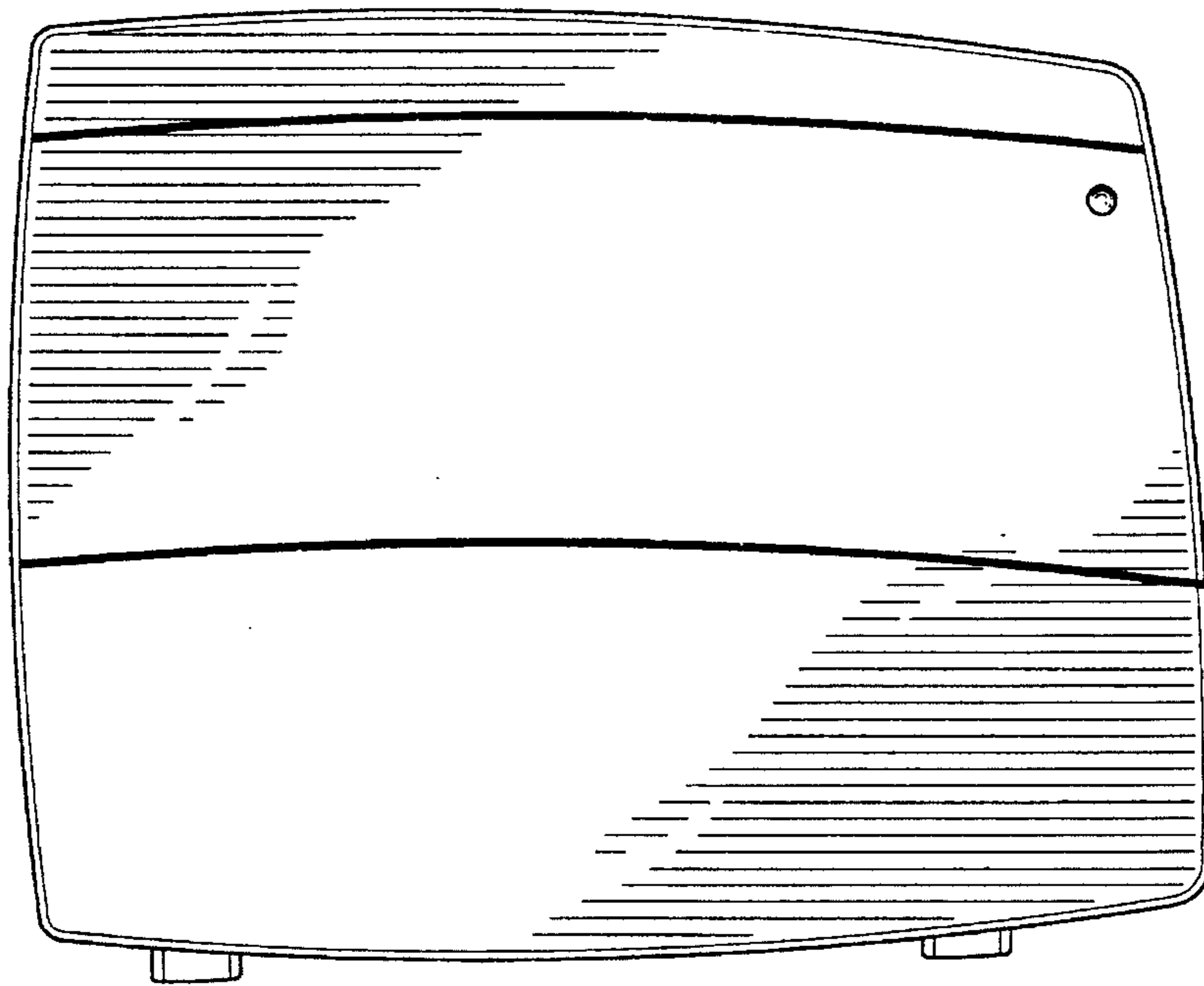


FIG. 2

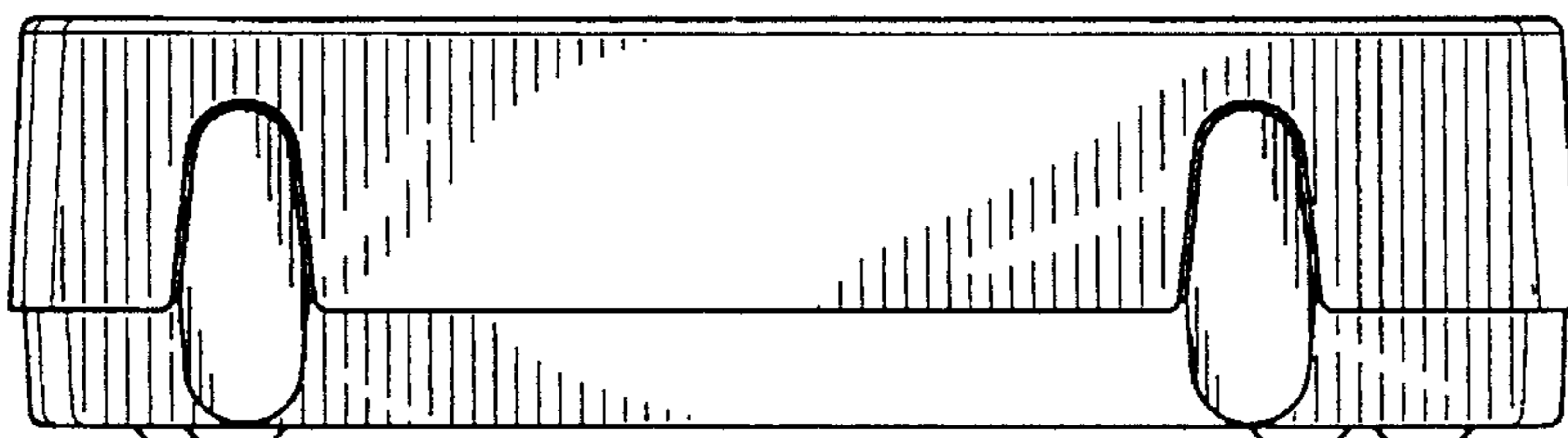


FIG. 3

FIG. 4

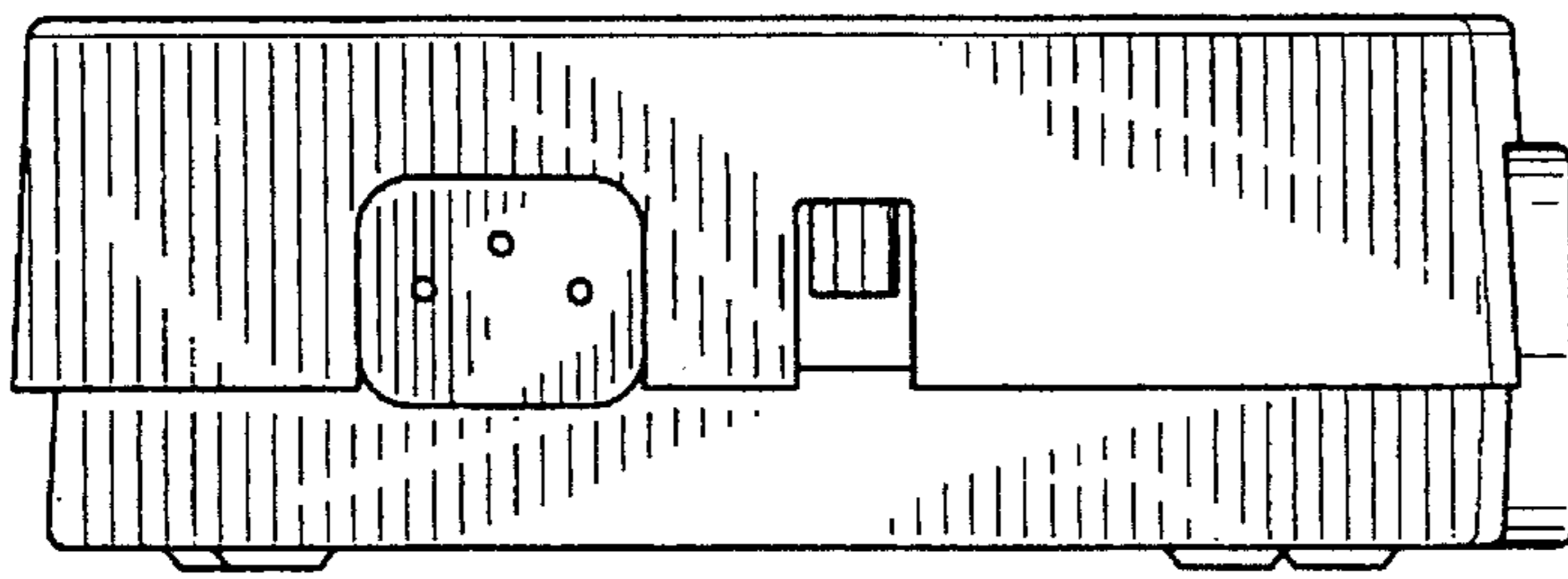


FIG. 5

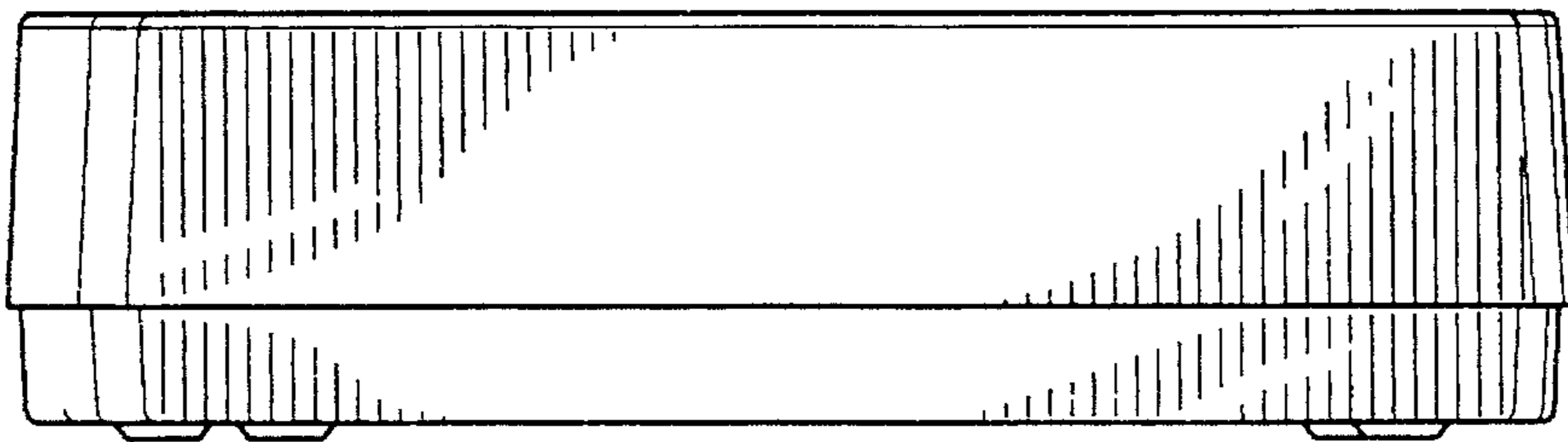


FIG. 6

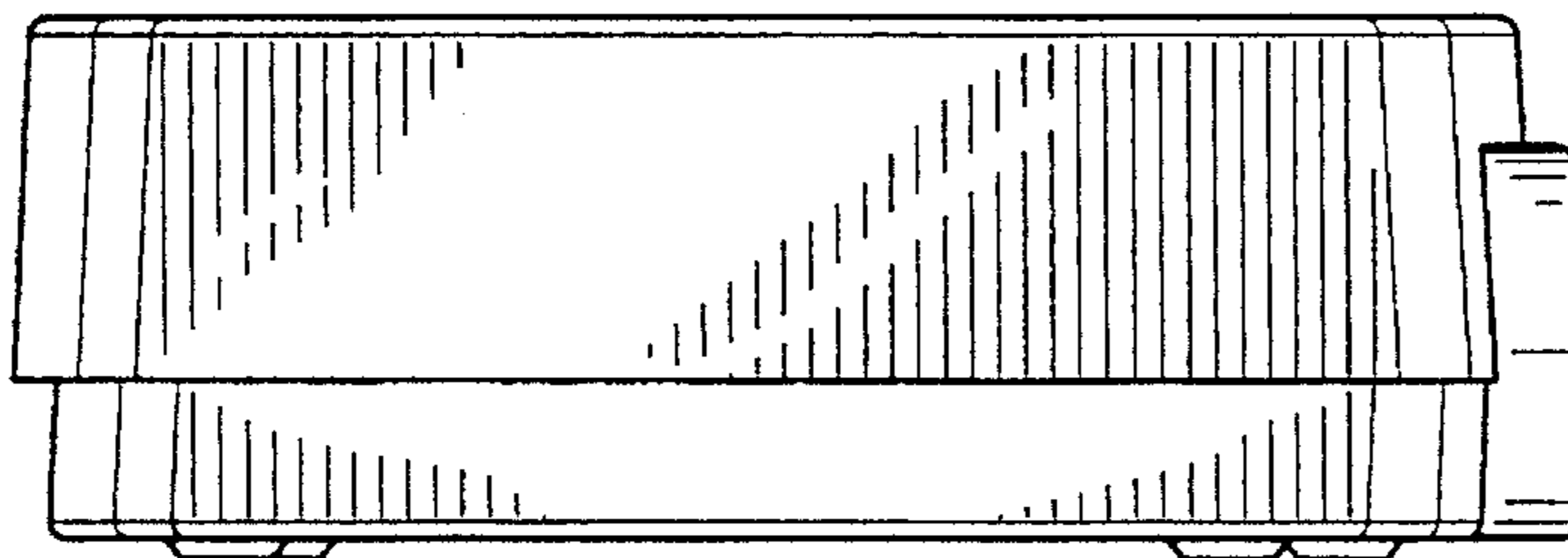


FIG. 7

