



US00D375936S

# United States Patent [19]

[11] Patent Number: **Des. 375,936**

**Palatov**

[45] Date of Patent: **\*\*Nov. 26, 1996**

[54] **MODULAR DROP CHARGER AND DC-DC CONVERTER FOR PORTABLE ELECTRONIC EQUIPMENT**

[75] Inventor: **Dennis Palatov**, Lake Forest, Calif.

[73] Assignee: **Xtend Micro Products, Inc.**, Irvine, Calif.

[\*\*] Term: **14 Years**

[21] Appl. No.: **43,119**

[22] Filed: **Aug. 25, 1995**

[52] U.S. Cl. .... **D13/108**; D13/110

[58] Field of Search ..... D13/107, 108,  
D13/110; D14/138, 191, 240, 251, 253;  
320/2, 3, 4, 15

[56] **References Cited**

**U.S. PATENT DOCUMENTS**

D. 287,848	1/1987	Keely et al. ....	D13/110
D. 336,631	6/1993	Ivester .....	D13/108
D. 337,986	8/1993	Brunner et al. ....	D13/108
D. 357,457	4/1995	Larson .....	D13/110

*Primary Examiner*—Joel Sincavage

*Attorney, Agent, or Firm*—Curtis L. Harrington

[57] **CLAIM**

The ornamental design for a modular drop charger and DC-DC converter for portable electronic equipment, as shown and described.

**DESCRIPTION**

FIG. 1 is a perspective view of a modular drop charger of the

present invention which is configured to accept a pair of battery packs;

FIG. 2 is a top view of the drop charger which was shown in FIG. 1;

FIG. 3 is a right side view of the drop charger which was shown in FIGS. 1 and 2 and which is a mirror image of the left side view;

FIG. 4 is a bottom view of the drop charger which was shown in FIGS. 1, 2, and 3;

FIG. 5 is a front view of the drop charger which was shown in FIGS. 1, 2, 3, and 4;

FIG. 6 is a rear view of the drop charger which was shown in FIGS. 1, 2, 3, 4, and 5;

FIG. 7 is a perspective view of a DC-DC converter of the present invention utilizable with the drop charger of FIGS. 1-6;

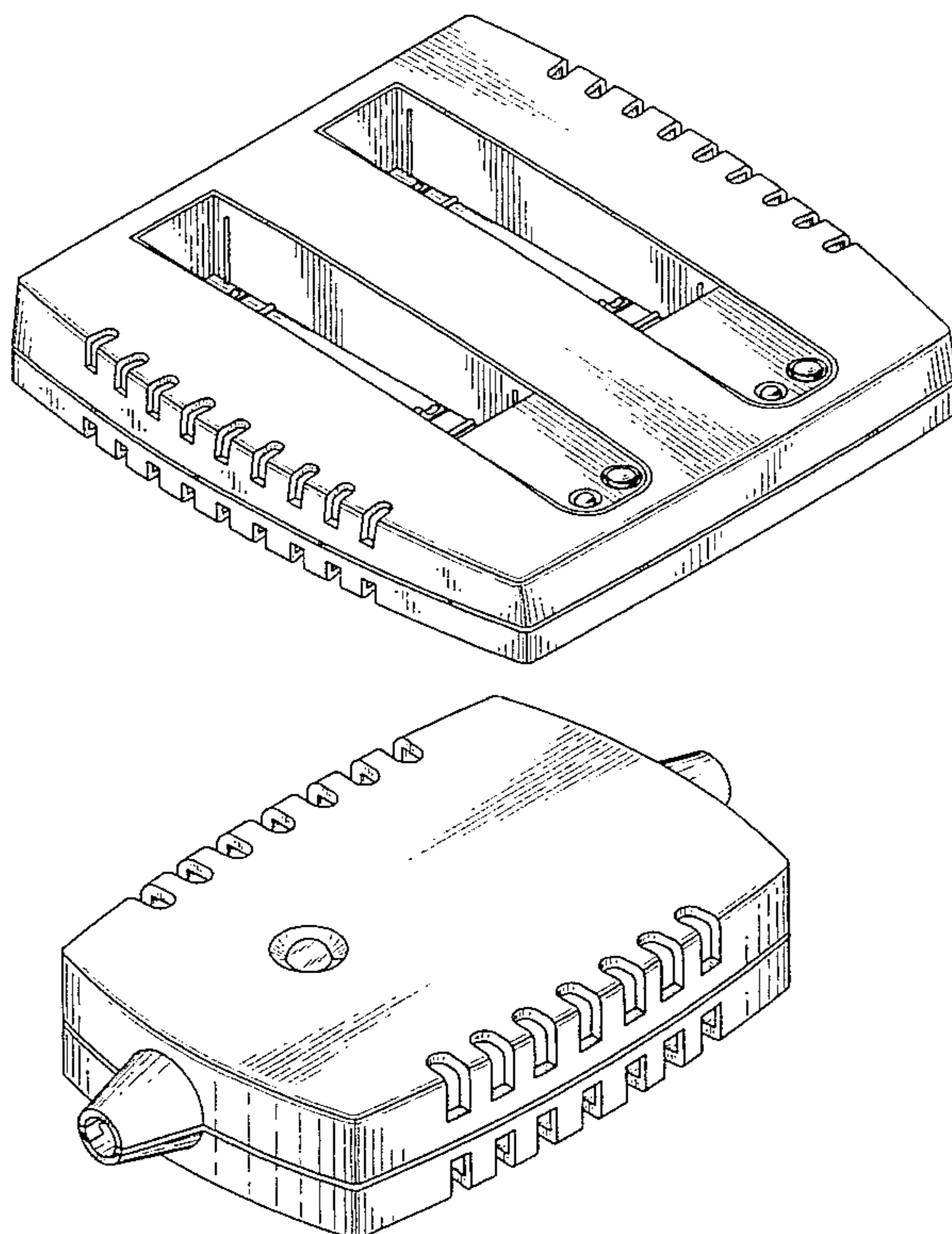
FIG. 8 is a top view of the DC-DC converter shown in FIG. 7;

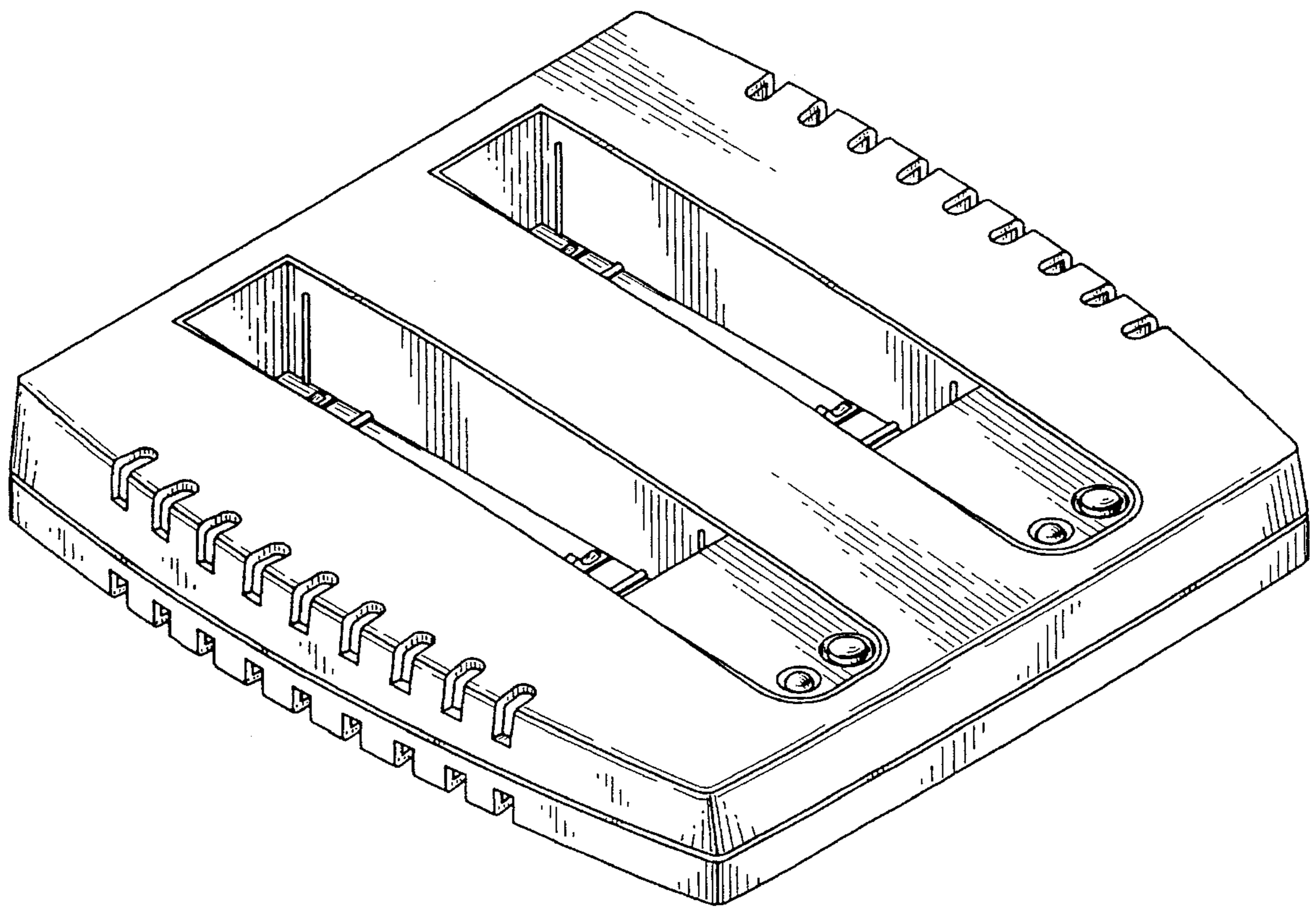
FIG. 9 is a side view of the DC-DC converter as is shown in FIGS. 7 and 8;

FIG. 10 is a bottom view of the DC-DC converter as is shown in FIGS. 7, 8 and 9; and,

FIG. 11 is an end view of the DC-DC converter as is shown in FIGS. 7, 8, 9, and 10.

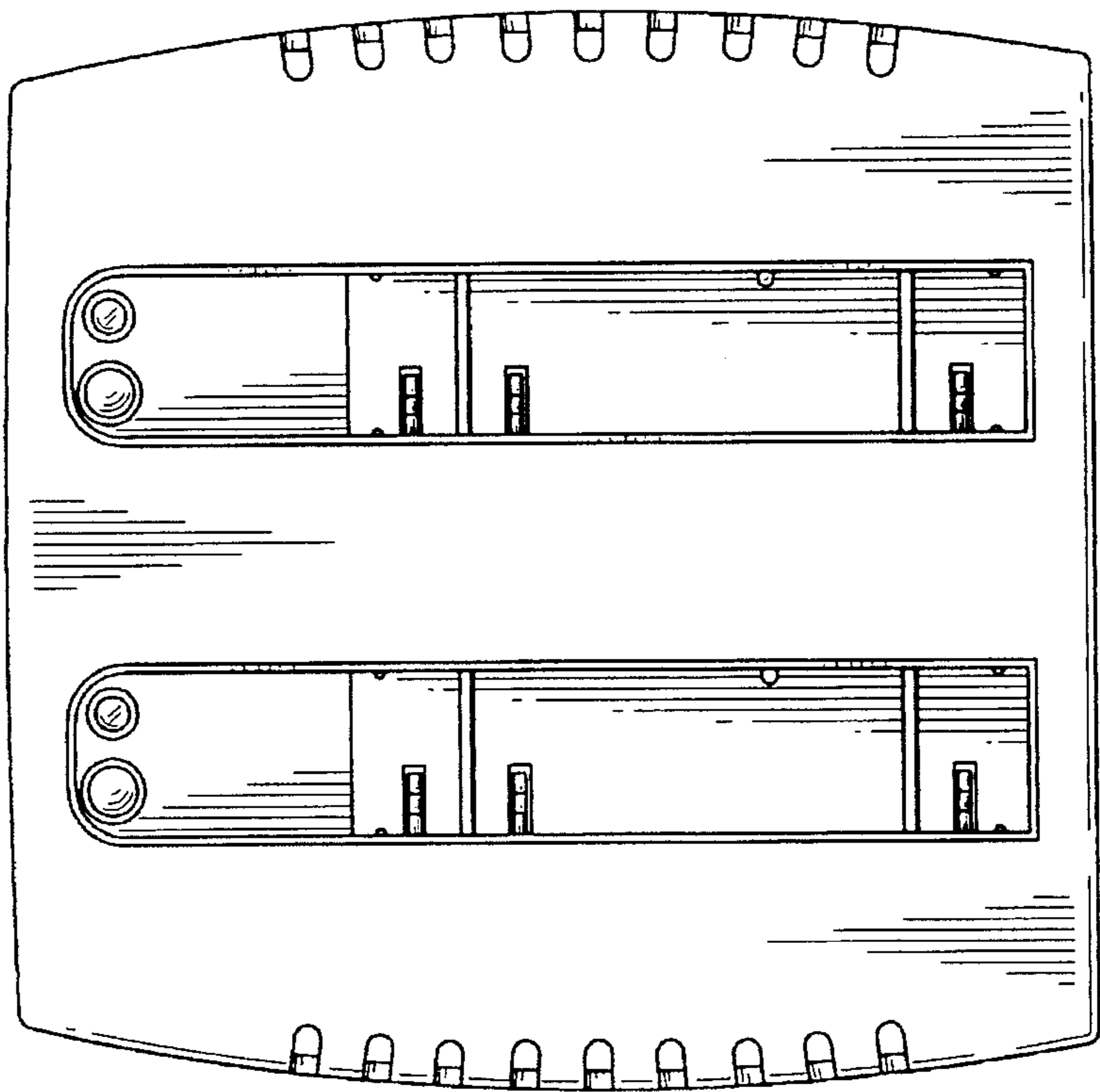
**1 Claim, 5 Drawing Sheets**



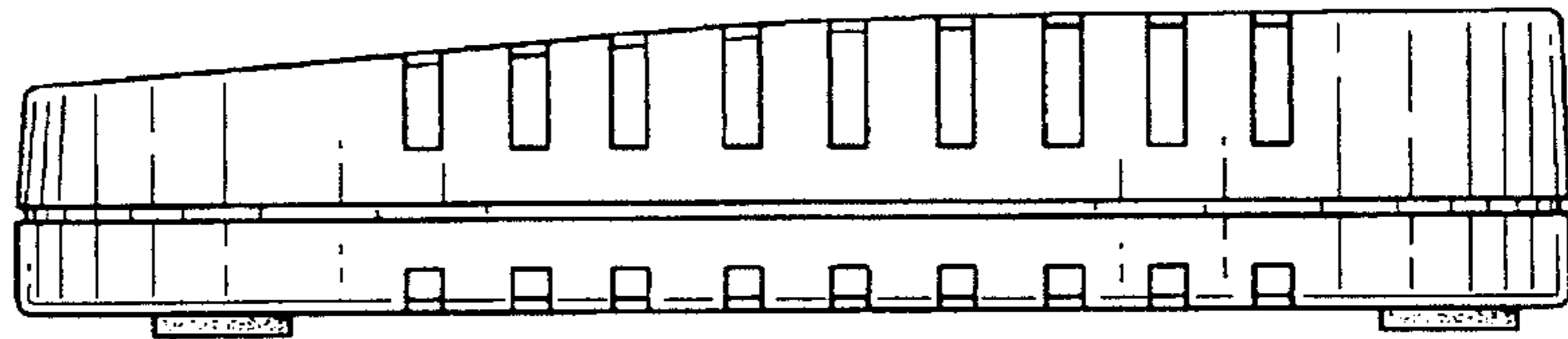


*Fig. 1*

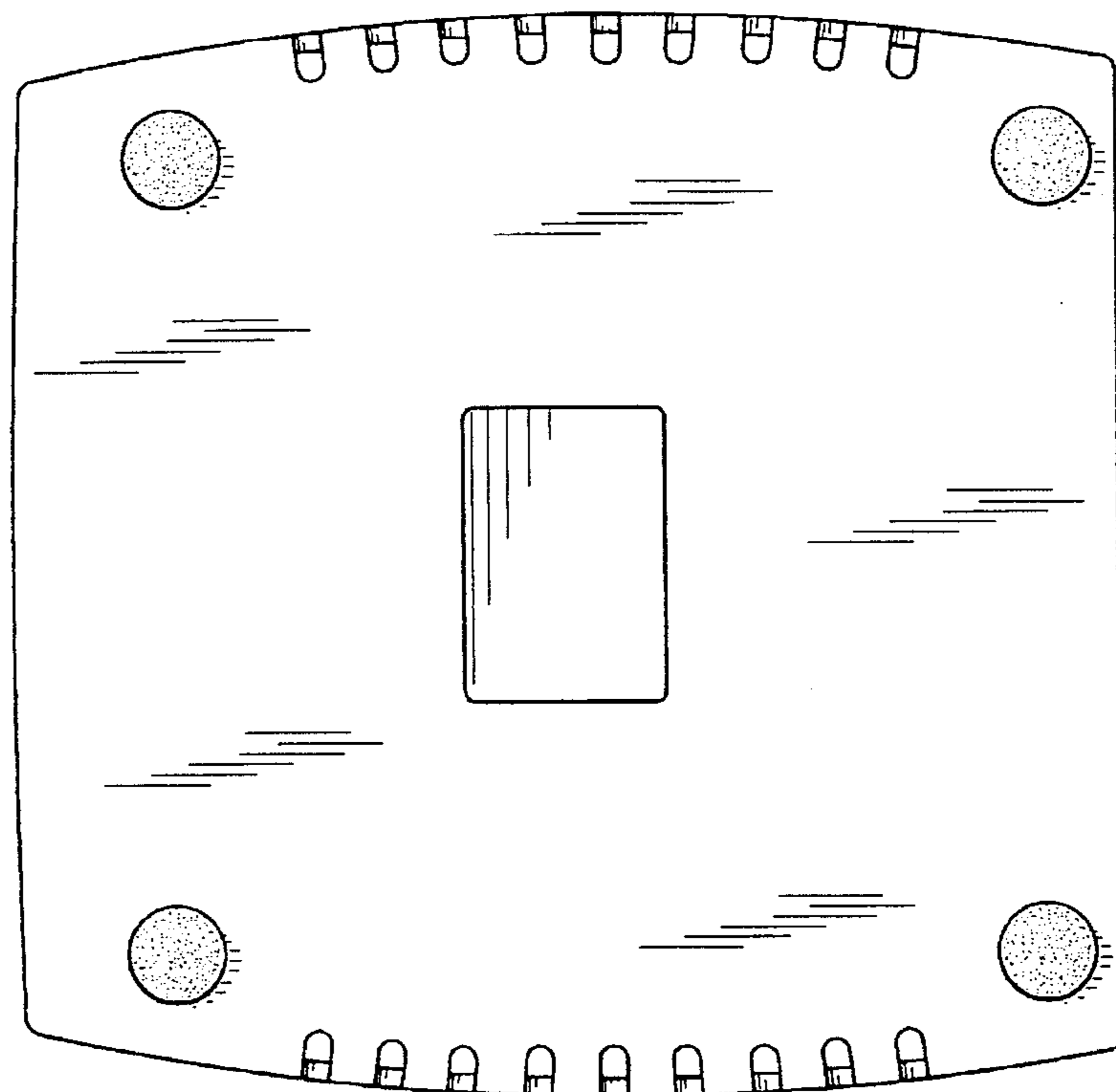
*Fig. 2*



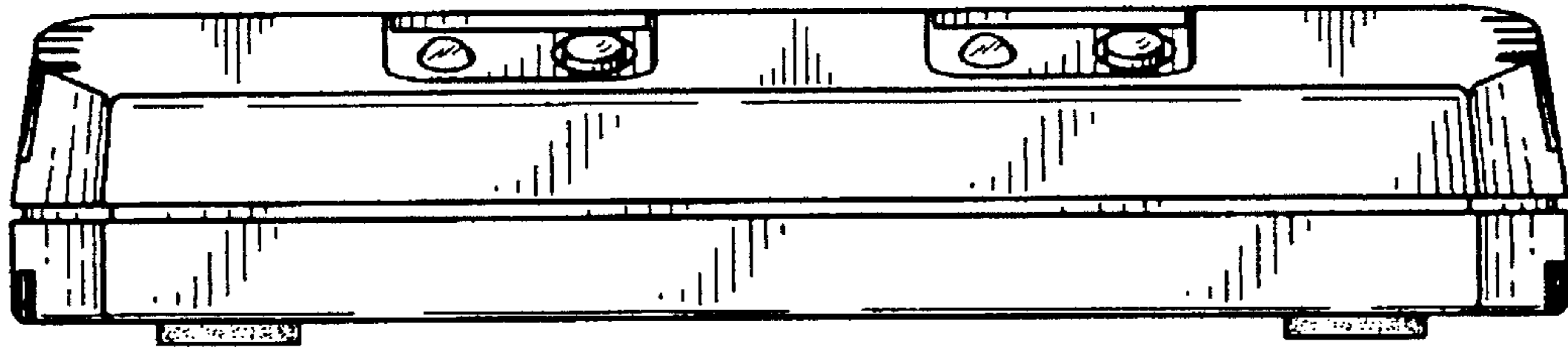
*Fig. 3*



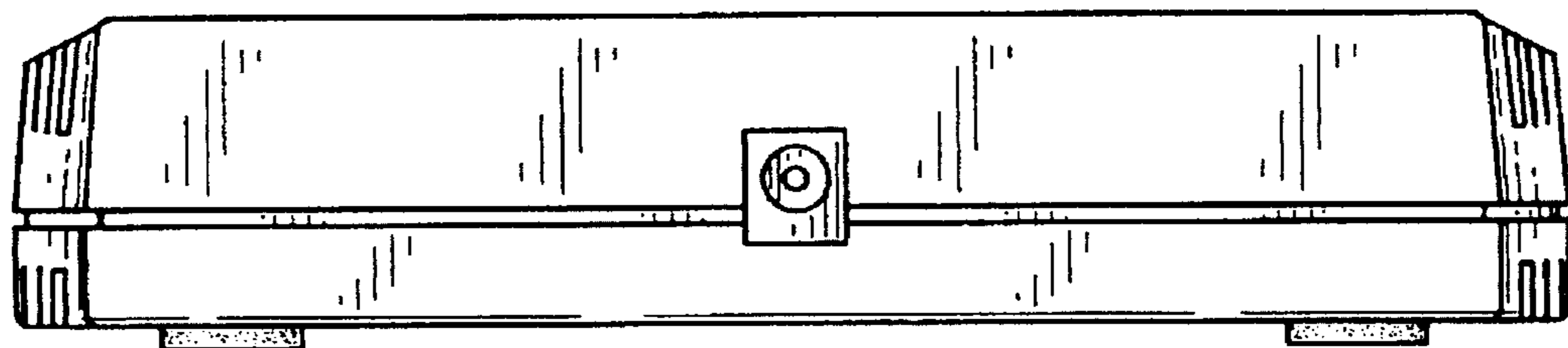
*Fig. 4*



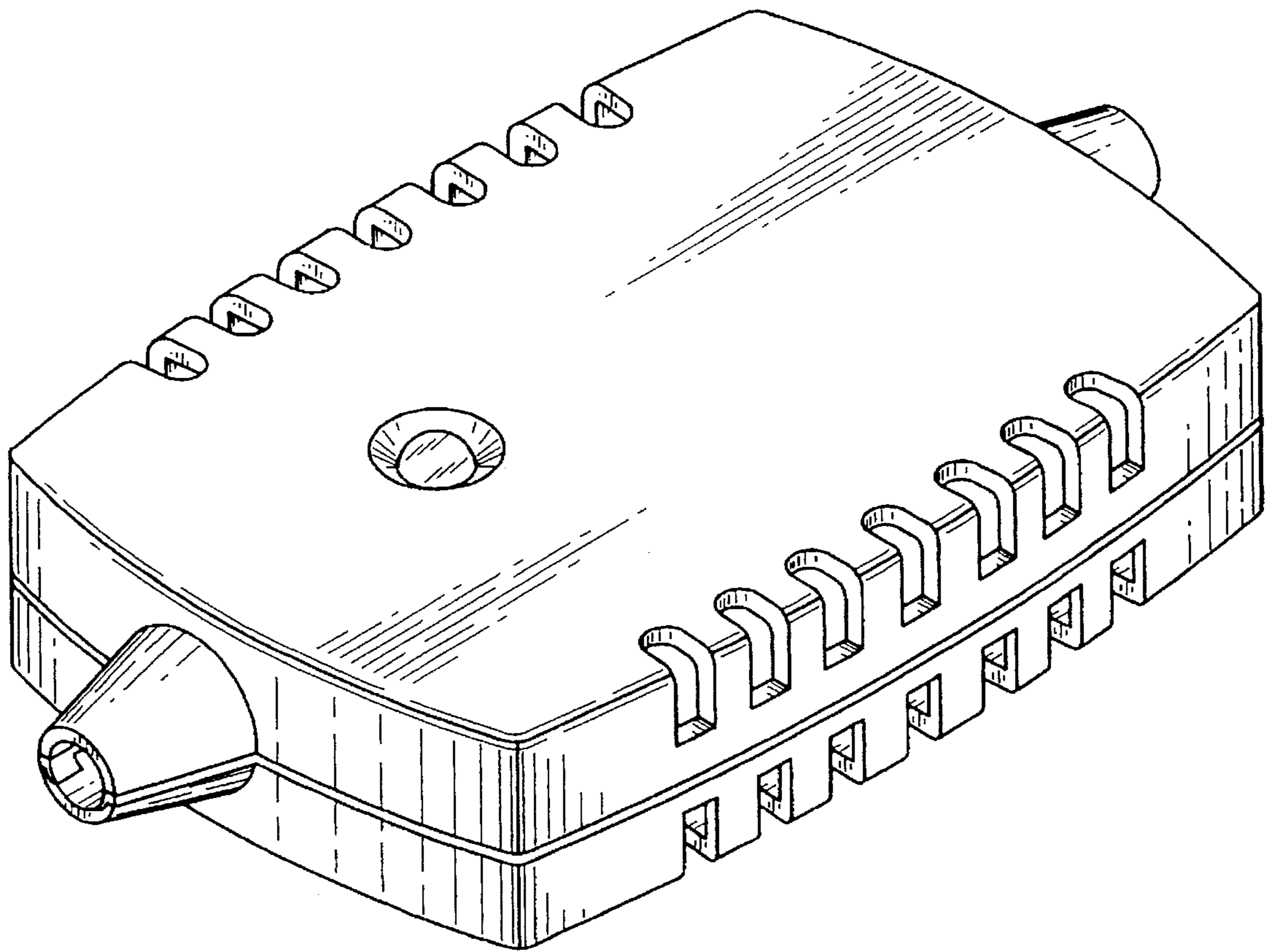
*Fig. 5*



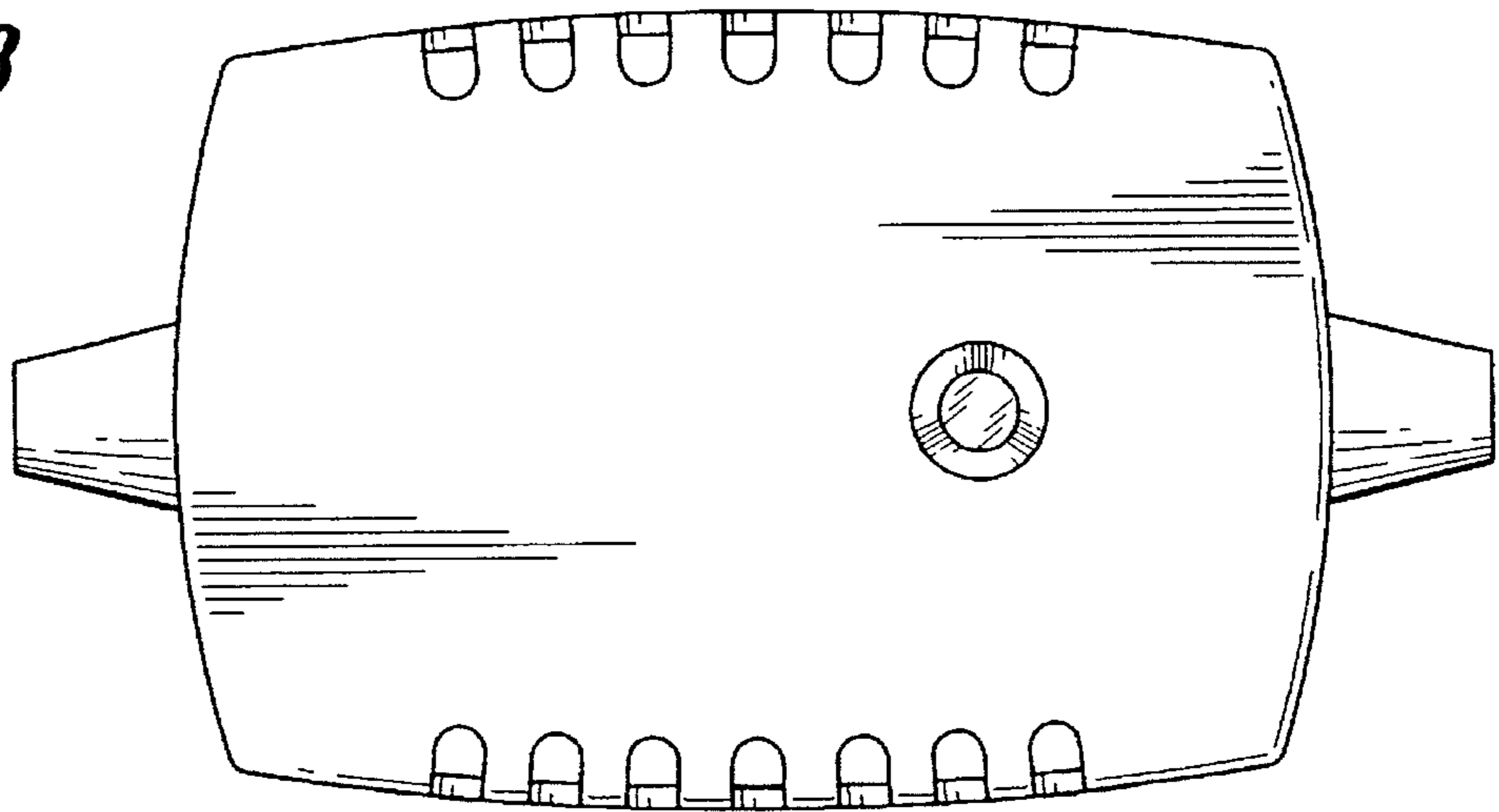
*Fig. 6*



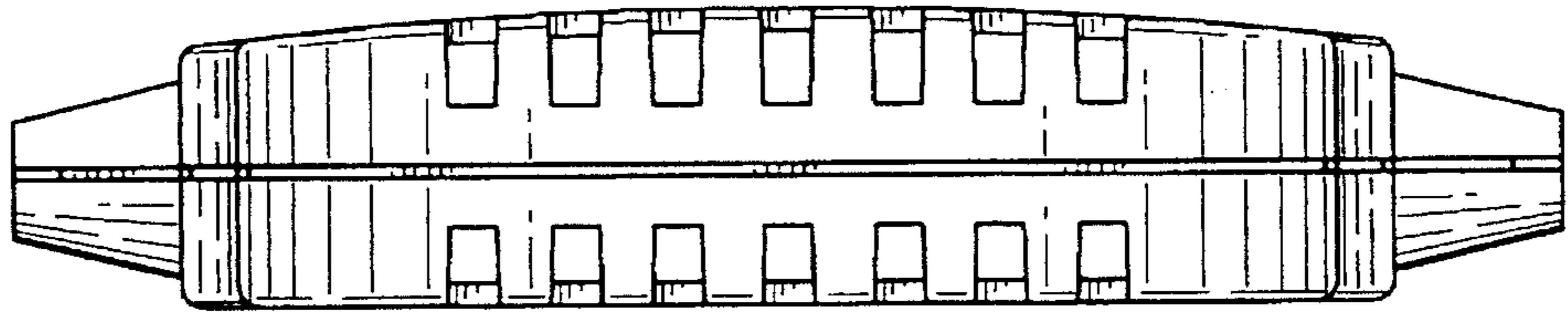
*Fig. 7*



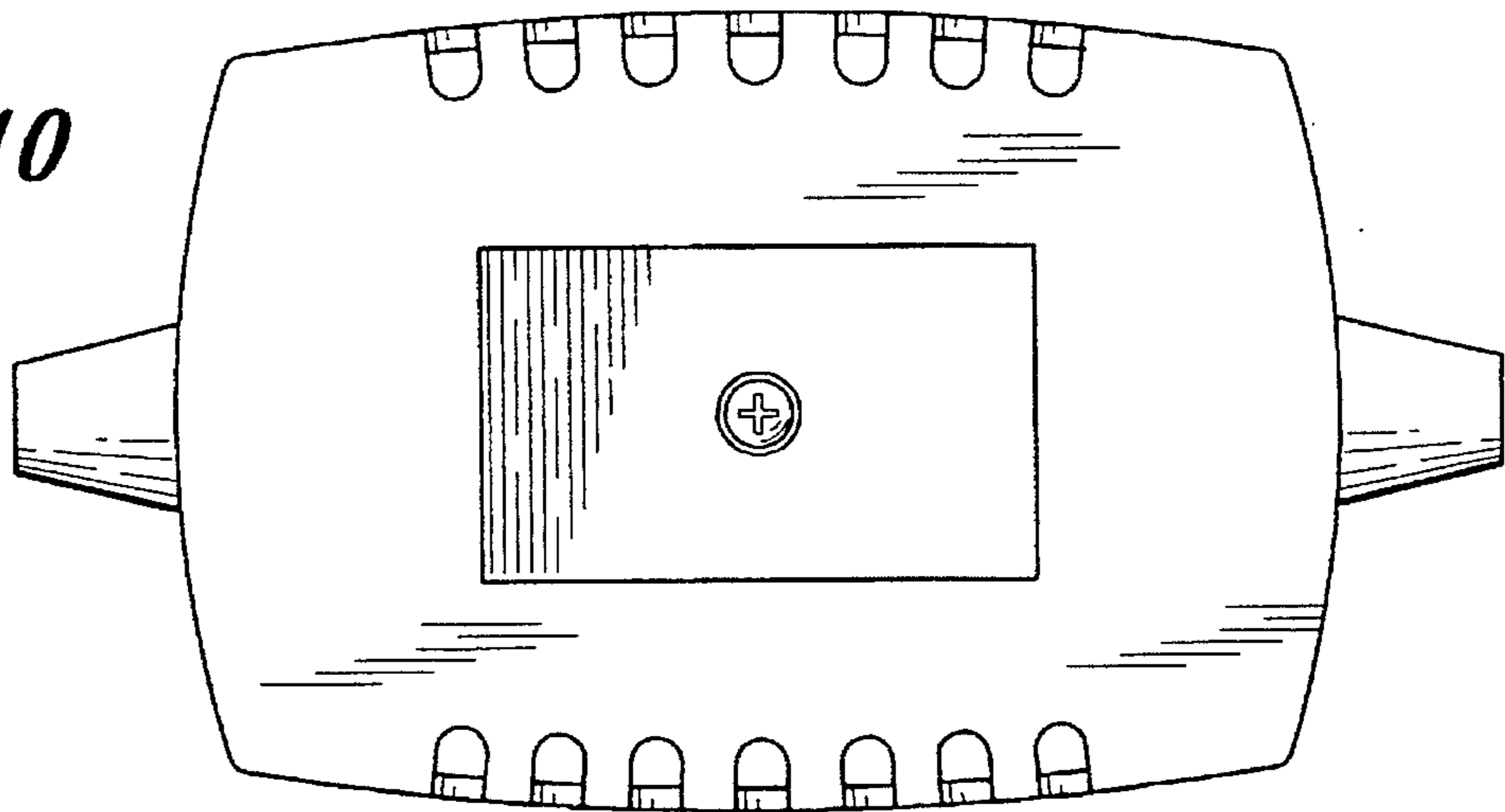
*Fig. 8*



*Fig. 9*



*Fig. 10*



*Fig. 11*

