



US00D375934S

United States Patent [19]

[11] Patent Number: **Des. 375,934**

Rosen et al.

[45] Date of Patent: ****Nov. 26, 1996**

[54] BATTERY CHARGER

[75] Inventors: **Marc A. Rosen**, New York, N.Y.; **Richard J. Suchanek**; **Judith D. Pyle**, both of Madison, Wis.; **Kevin A. Marshall**, Williston Park, N.Y.; **Gerald A. Albright**, Middleton, Wis.; **Theresa A. Pyle-Smith**, Madison, Wis.; **Robert W. Zimmermann**, Sun Prairie, Wis.; **Robert K. Kloppenburg**, Middleton, Wis.

[73] Assignee: **Rayovac Corporation**, Madison, Wis.

[**] Term: **14 Years**

[21] Appl. No.: **17,589**

[22] Filed: **Jan. 14, 1994**

[52] U.S. Cl. **D13/107**

[58] Field of Search **D13/107, 108; 320/2, 3, 4, 15**

[56] References Cited

U.S. PATENT DOCUMENTS

D. 321,168 10/1991 Usami D13/107
4,766,361 8/1988 Pusateri 320/15 X

OTHER PUBLICATIONS

Battery charger on p. 340 of *Hong Kong Enterprise*, Nov. 1987.

Battery charger on p. 140 of *Radio Shack* catalog ©1990.

Battery charger on p. 29 of *Allied Electronics* catalog ©1990.

Primary Examiner—Joel Sincavage
Attorney, Agent, or Firm—Grady J. Frenchick; Stroud, Stroud, Willink, Thompson & Howard

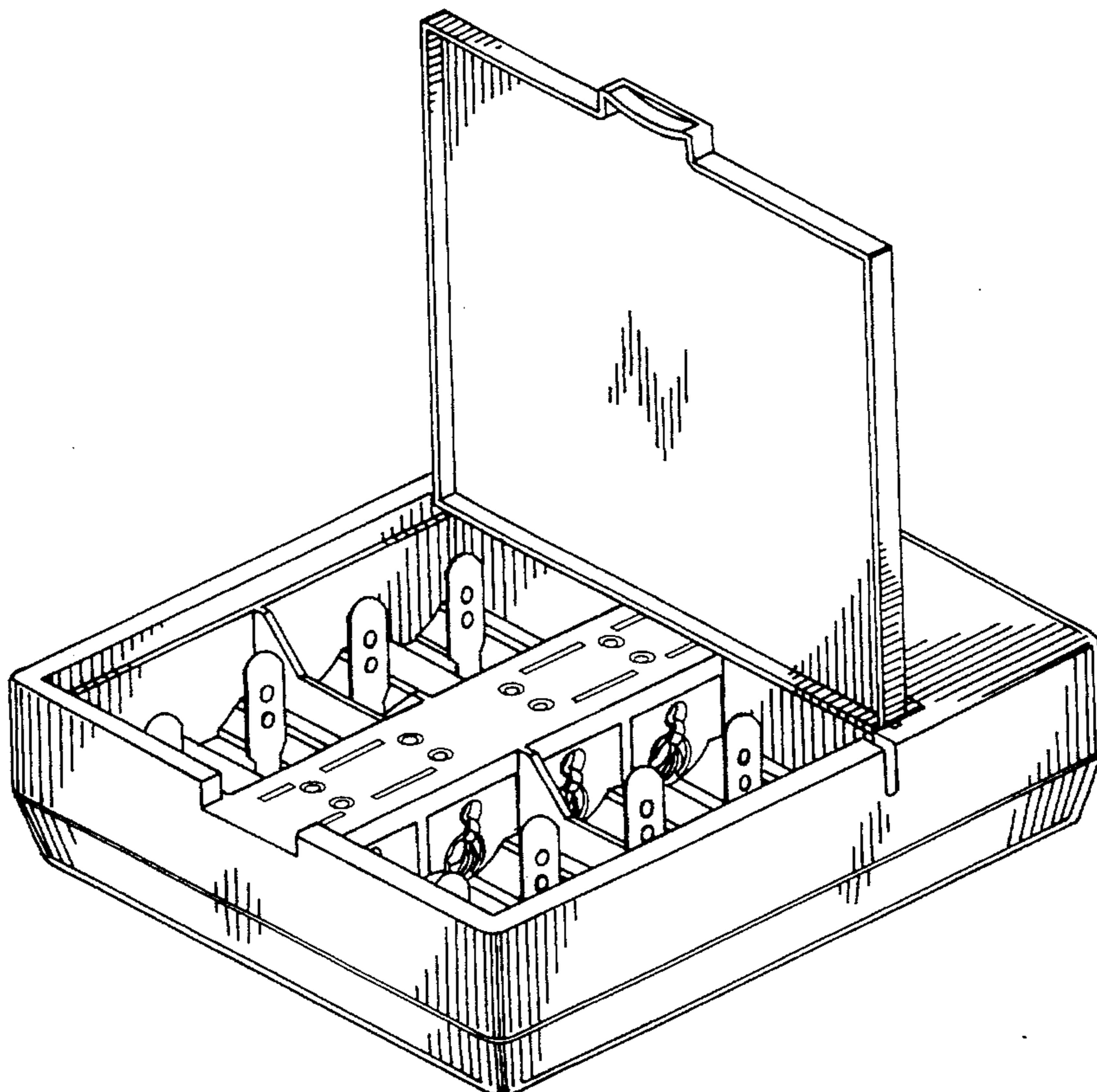
[57] CLAIM

The ornamental design for a battery charger, as shown and described.

DESCRIPTION

FIG. 1 is a top plan view of a battery charger embodying our new design;
FIG. 2 is a front elevational view thereof;
FIG. 3 is a right side elevational view thereof;
FIG. 4 is a rear elevational view thereof;
FIG. 5 is a bottom plan view thereof;
FIG. 6 is a left side elevational view thereof;
FIG. 7 is a right perspective view thereof on a reduced scale;
FIG. 8 is a right perspective view thereof on a reduced scale, wherein the top cover is raised upward in the open position. The right inside surfaces are the same as the left inside surfaces, and the inside front surface is the same as the inside rear surface;
FIG. 9 is a top plan view of a battery charger showing a second embodiment of our new design;
FIG. 10 is a right perspective view thereof. All other views of the second embodiment are the same as the first; and,
FIG. 11 is a lower left perspective view of the battery charger shown in FIG. 1.

1 Claim, 6 Drawing Sheets



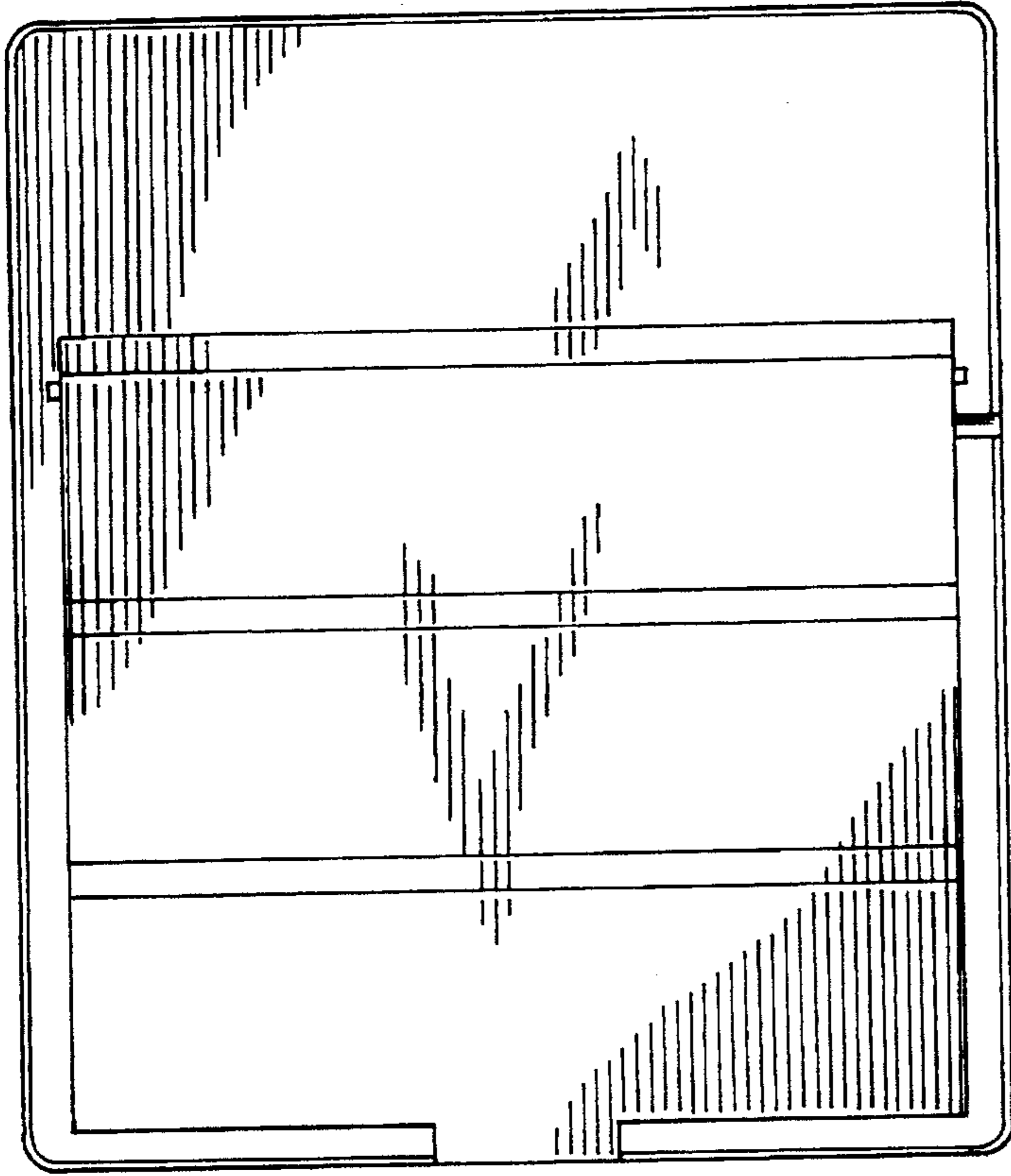


FIG. 1

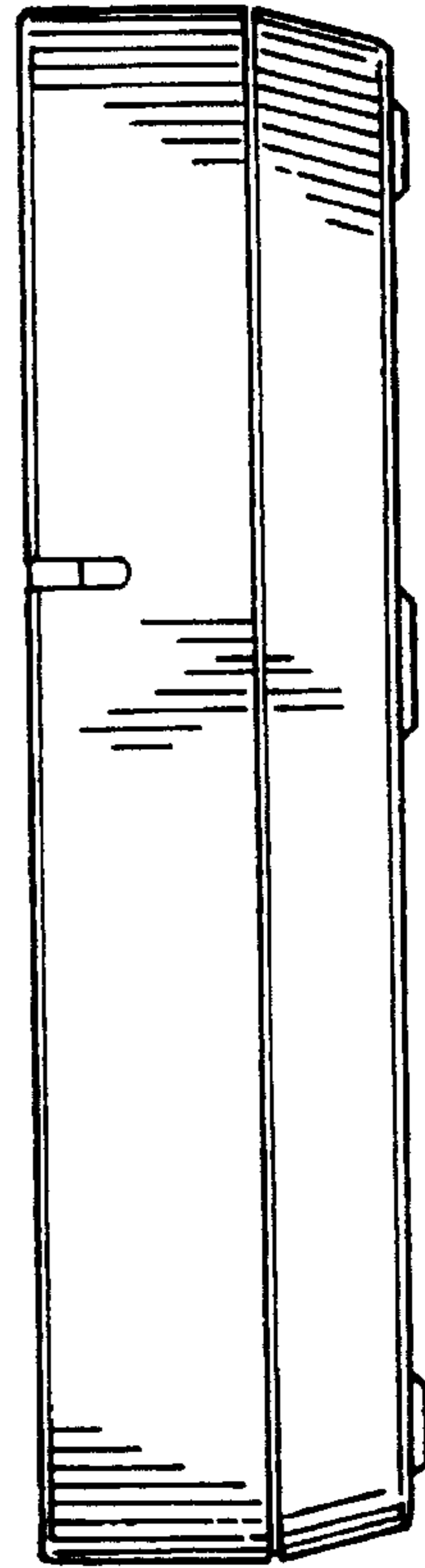


FIG. 3

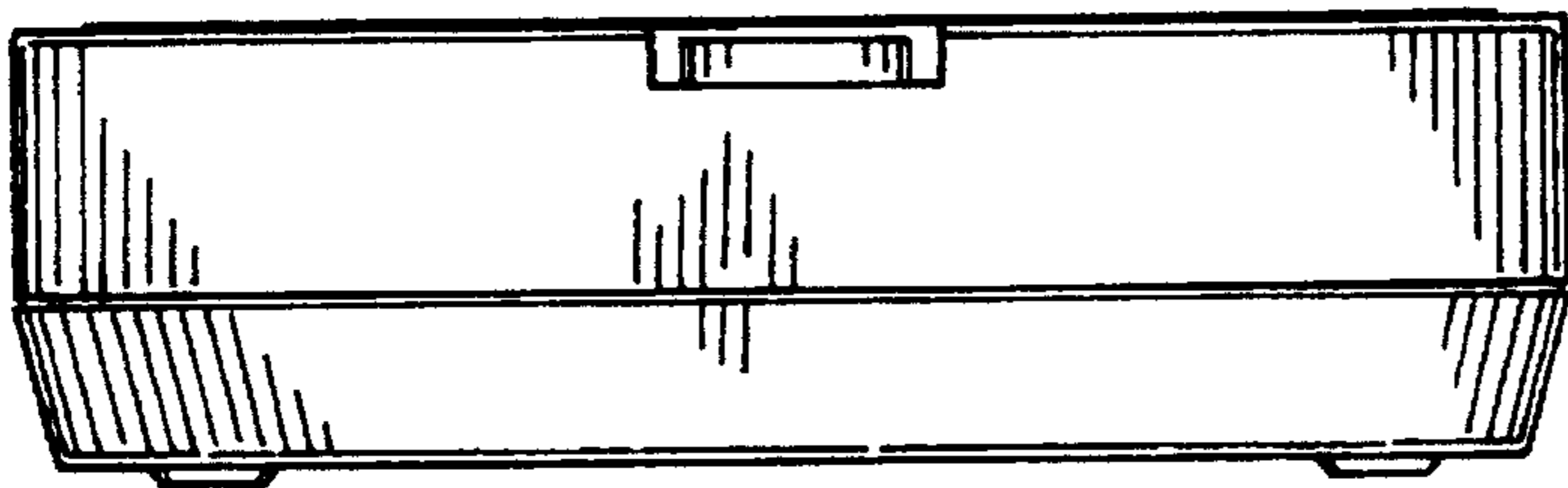


FIG. 2

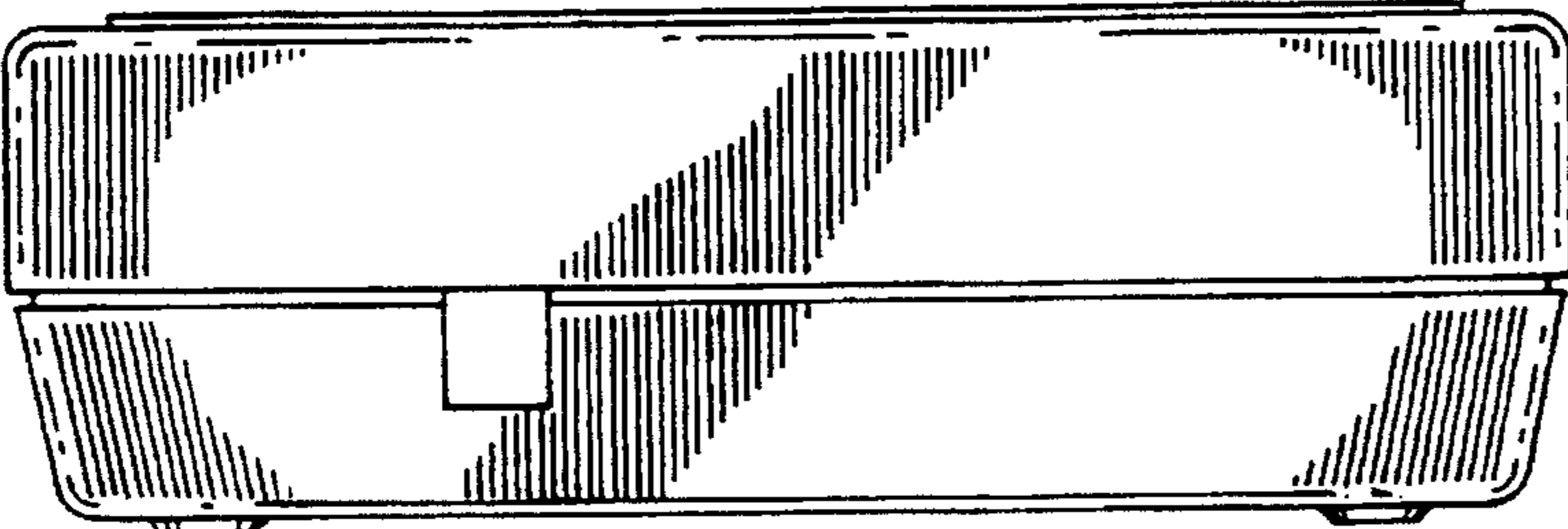


FIG. 4

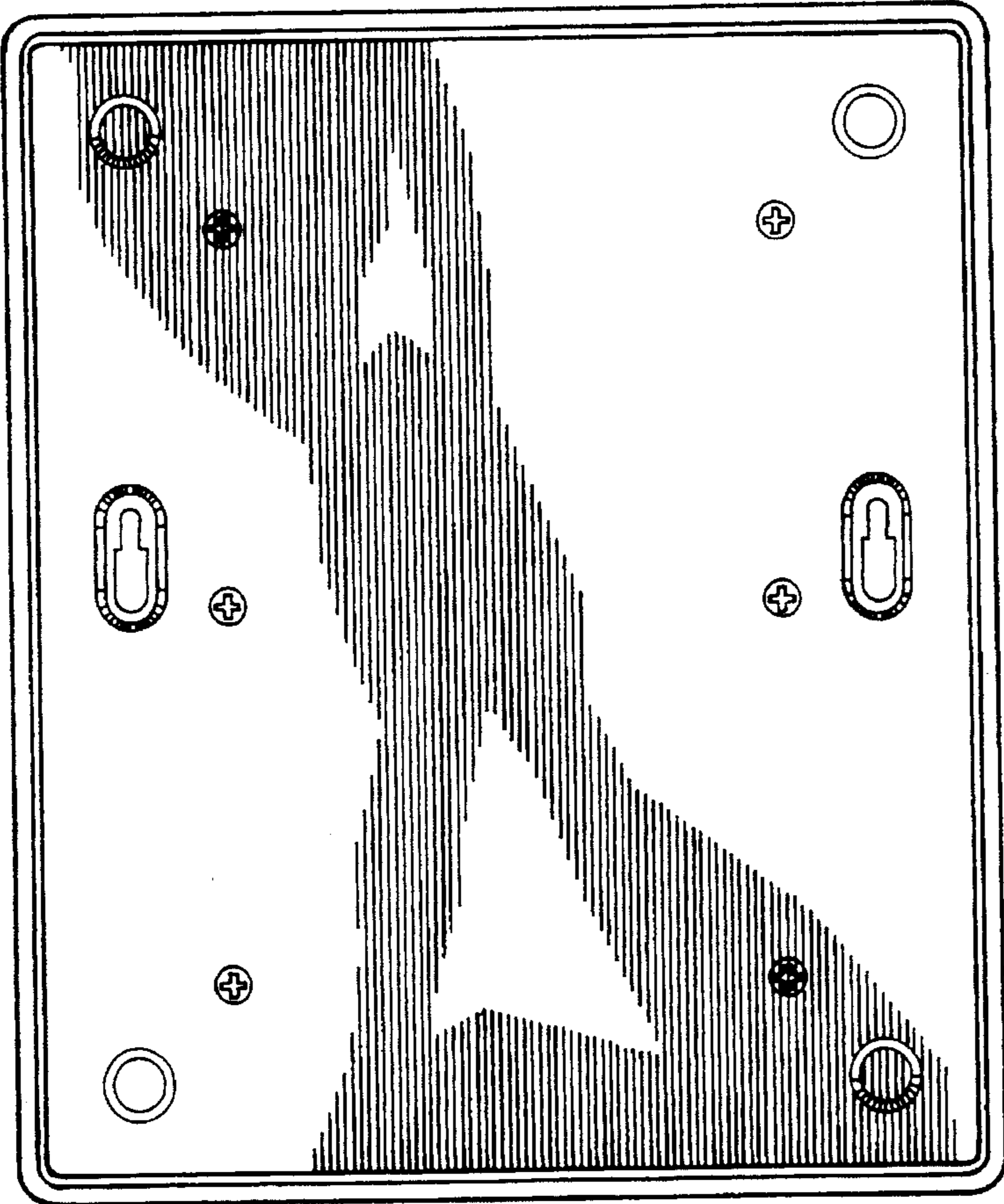


FIG. 5

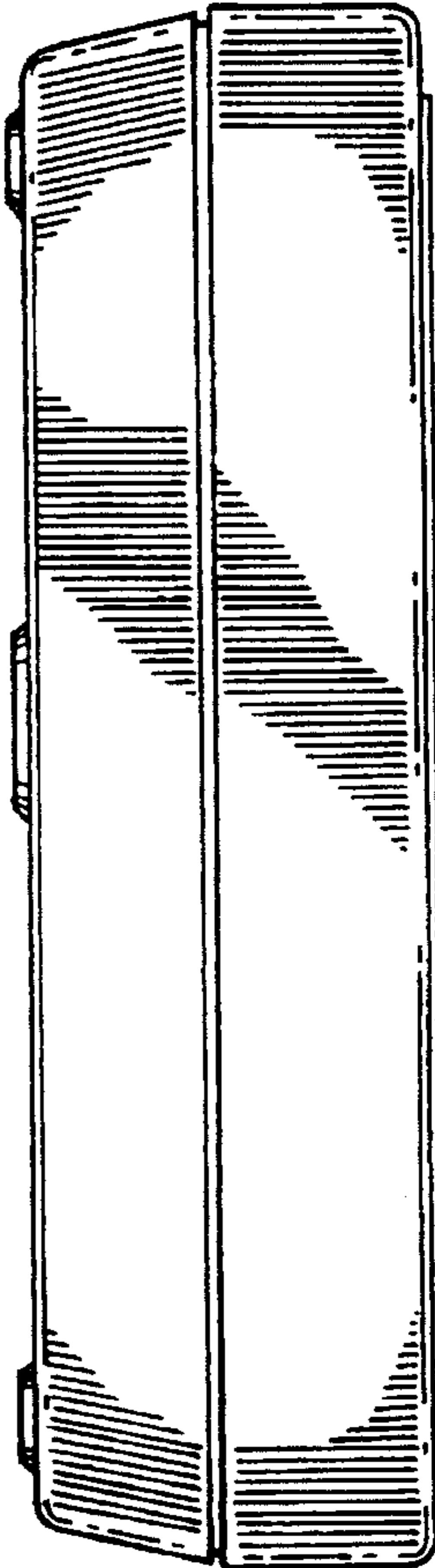


FIG. 6

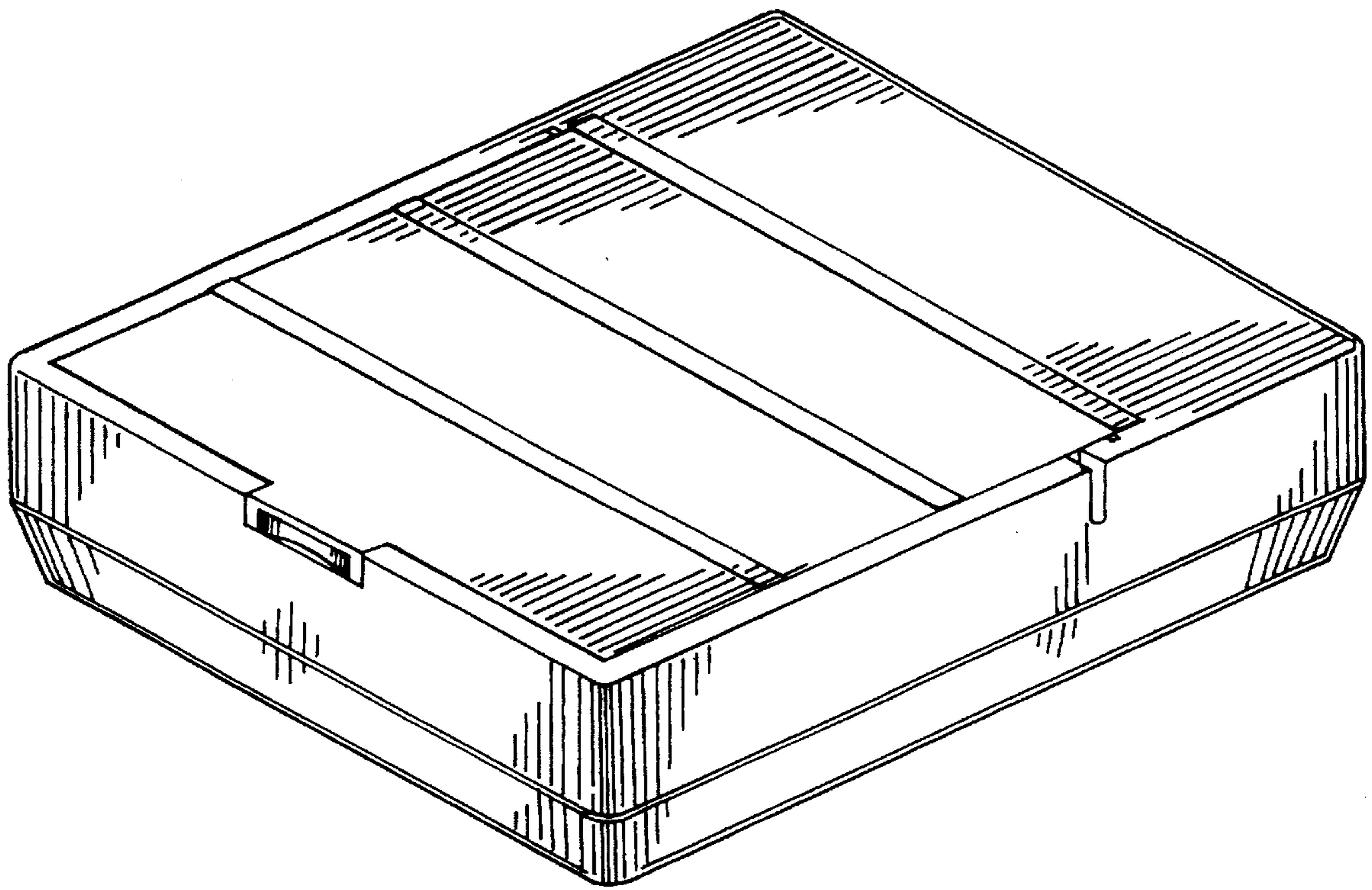


FIG. 7

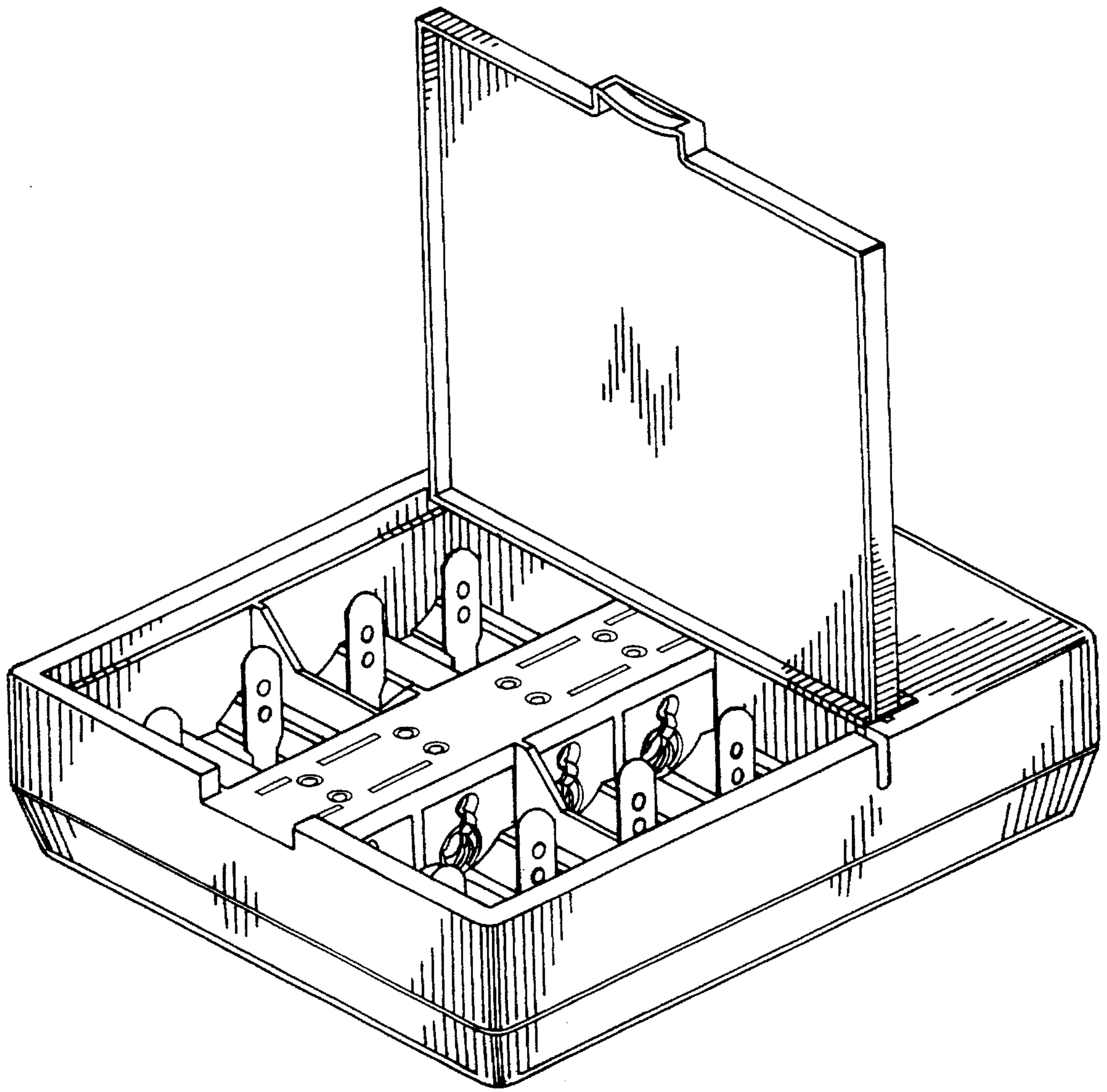


FIG. 8

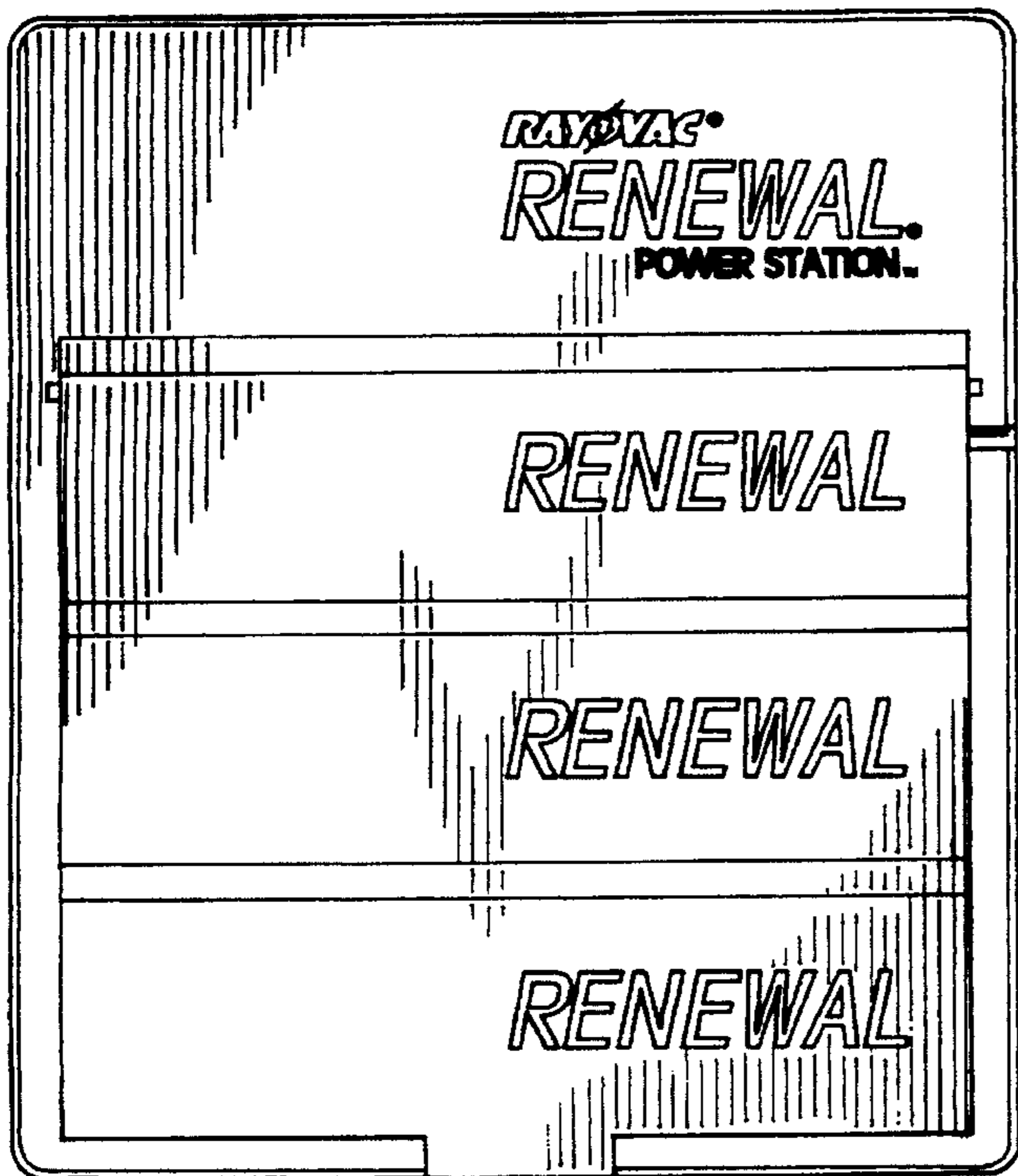


FIG. 9

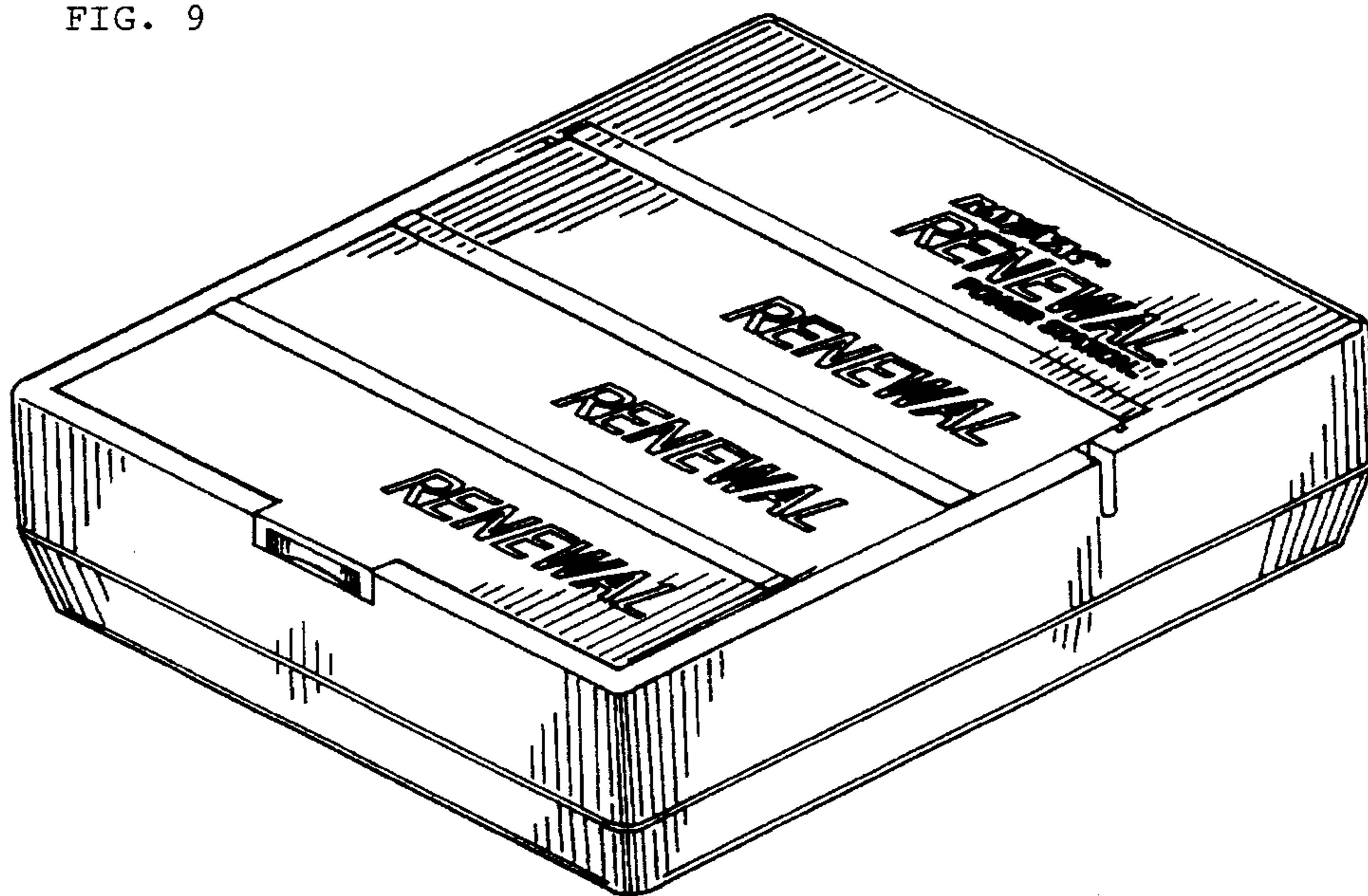


FIG. 10

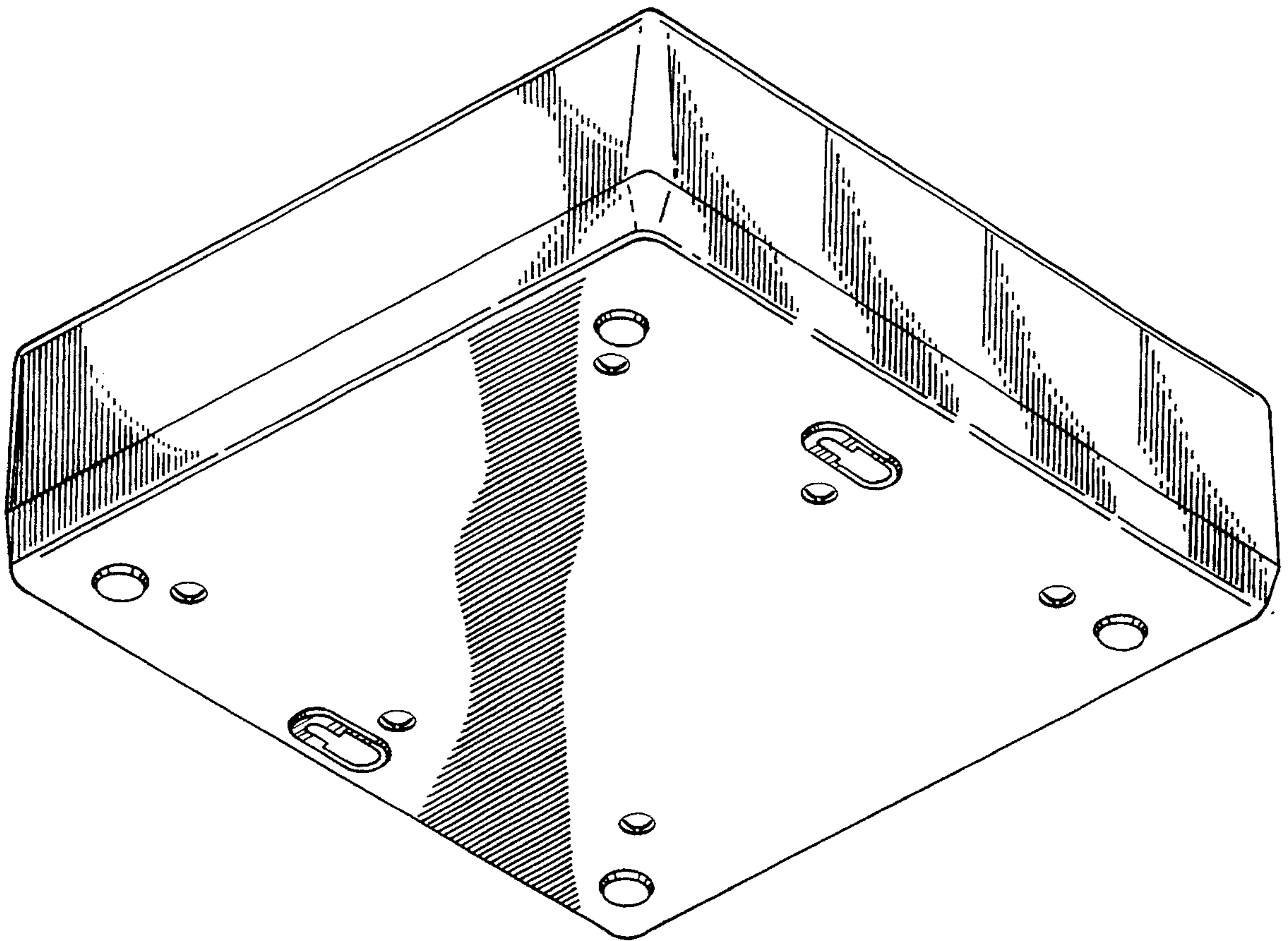


FIG. 11