



US00D375933S

United States Patent [19]

[11] **Patent Number: Des. 375,933**

Kao

[45] **Date of Patent: **Nov. 26, 1996**

[54] **BATTERY**

Attorney, Agent, or Firm—Morton J. Rosenberg; David I. Klein

[76] Inventor: **Chen L. Kao**, 4F-1, No. 148, Yu Cheng Street, Nan Kang District, Taipei, Taiwan

[57] **CLAIM**

[**] Term: **14 Years**

The ornamental design for battery, as shown and described.

[21] Appl. No.: **44,149**

DESCRIPTION

[22] Filed: **Sep. 19, 1995**

FIG. 1 is the perspective view of a battery showing my new design;

[52] U.S. Cl. **D13/103**

FIG. 2 is the front elevational view thereof;

[58] Field of Search D13/103; 429/97, 429/98, 99, 121, 159, 163, 176

FIG. 3 is the rear elevational view thereof;

[56] **References Cited**

FIG. 4 is the left side elevational view thereof;

U.S. PATENT DOCUMENTS

FIG. 5 is the right side elevational view thereof;

D. 353,361 12/1994 Nagele et al. D13/103

FIG. 6 is the top plan view thereof; and,

OTHER PUBLICATIONS

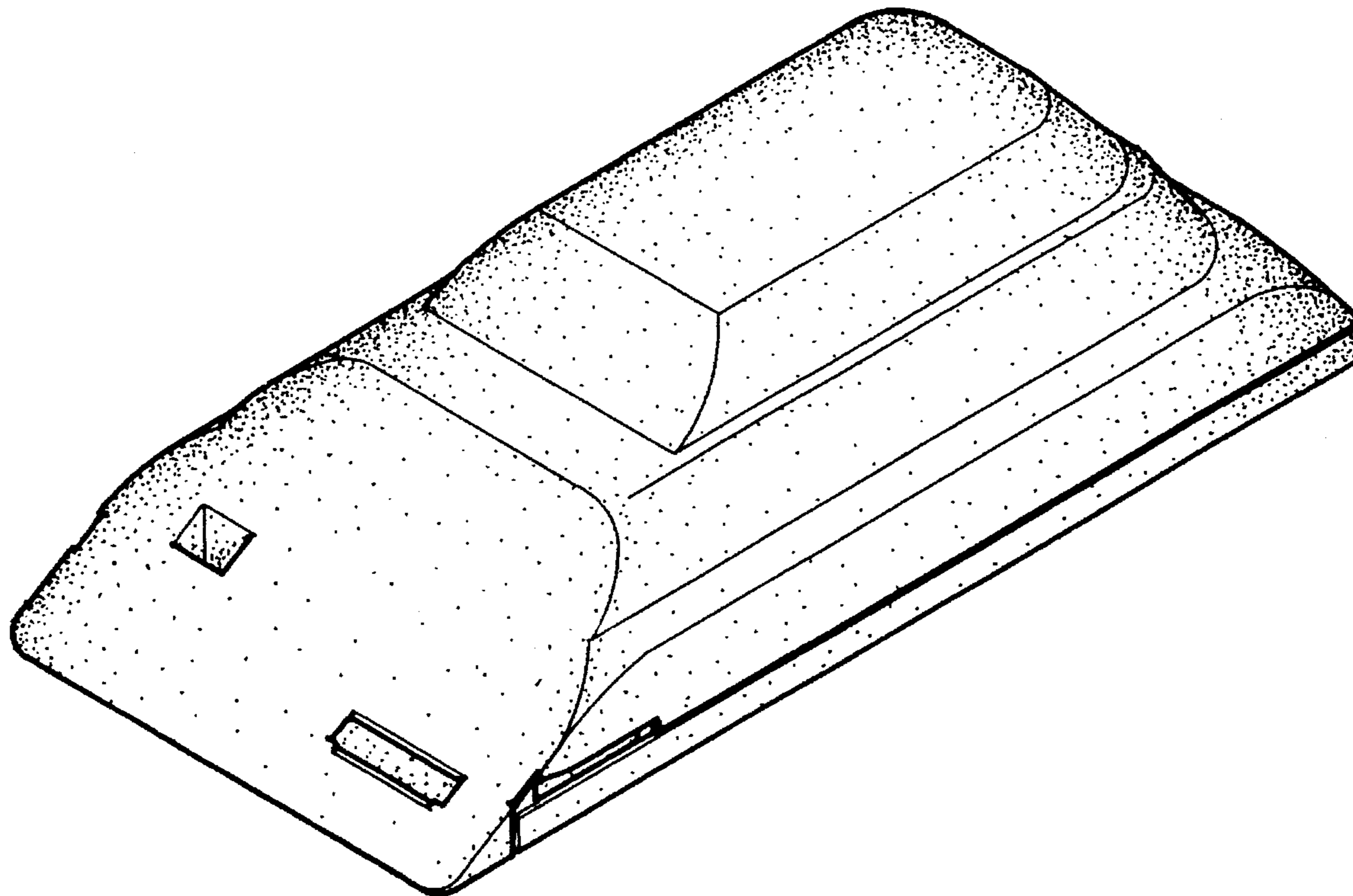
FIG. 7 is the bottom plan view thereof.

Batteries on p. 569 of *Hong Kong Enterprise*, Jun. 1994.

Batteries on p. 481 of *Hong Kong Enterprise*, Jun. 1995.

Primary Examiner—Joel Sincavage

1 Claim, 6 Drawing Sheets



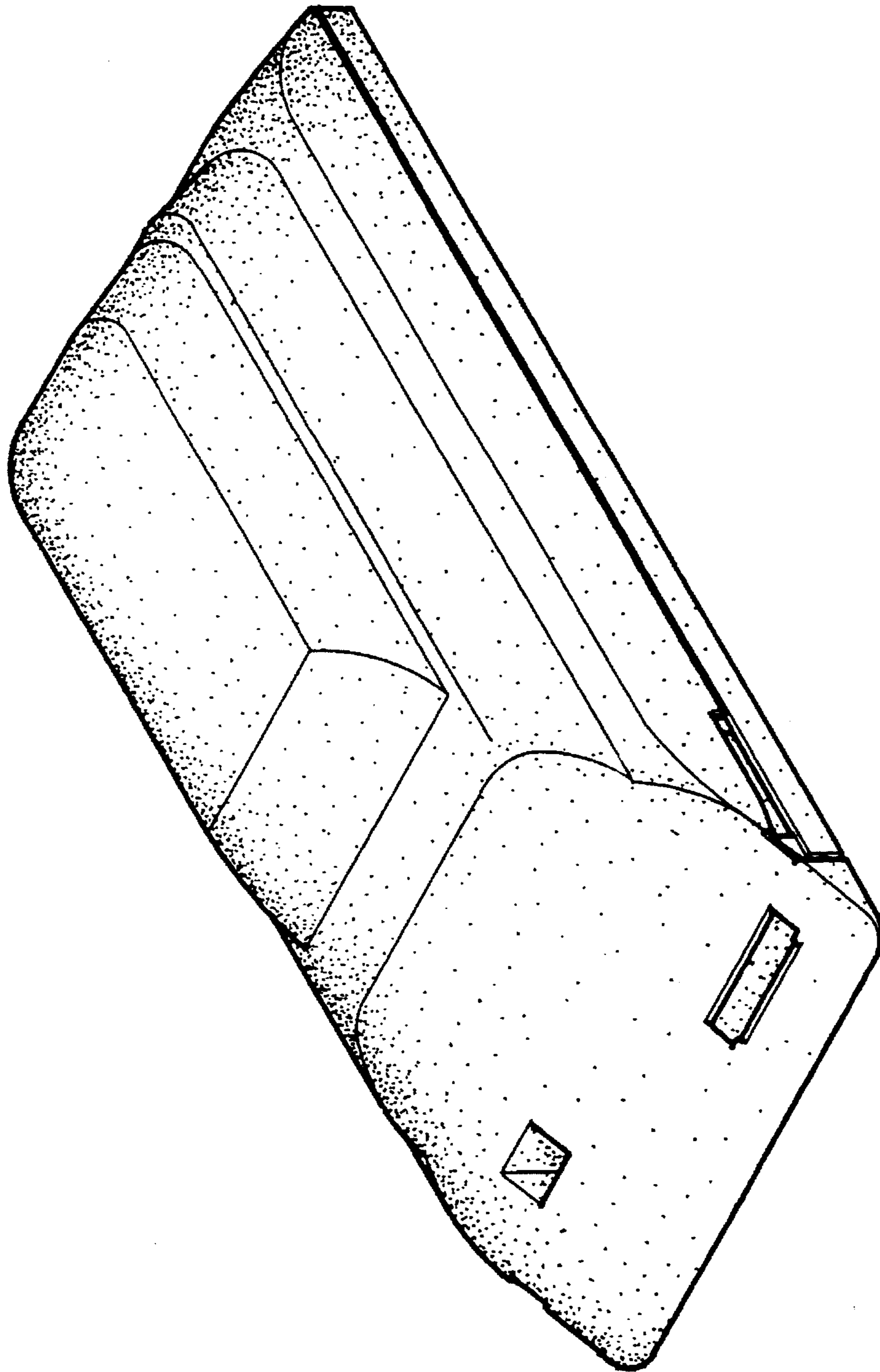


FIG.1

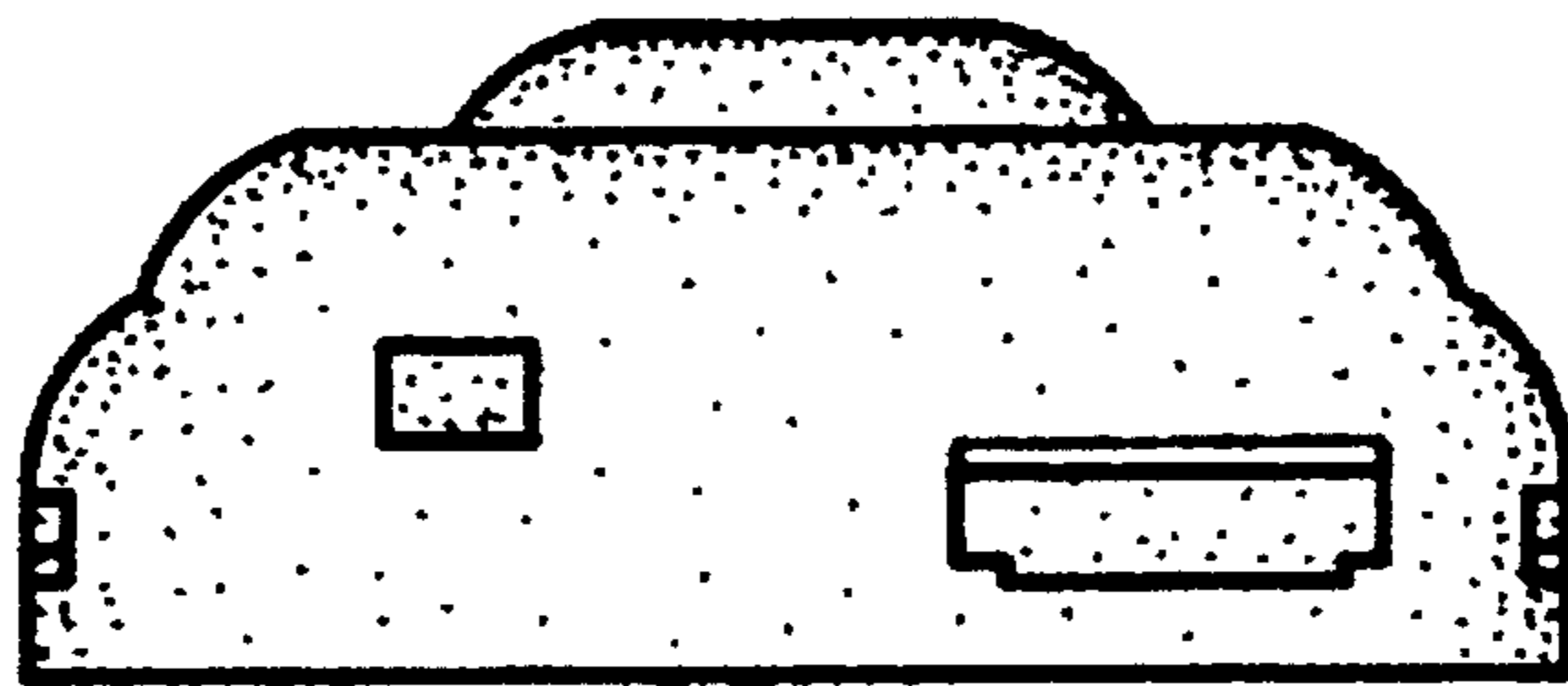


FIG.2

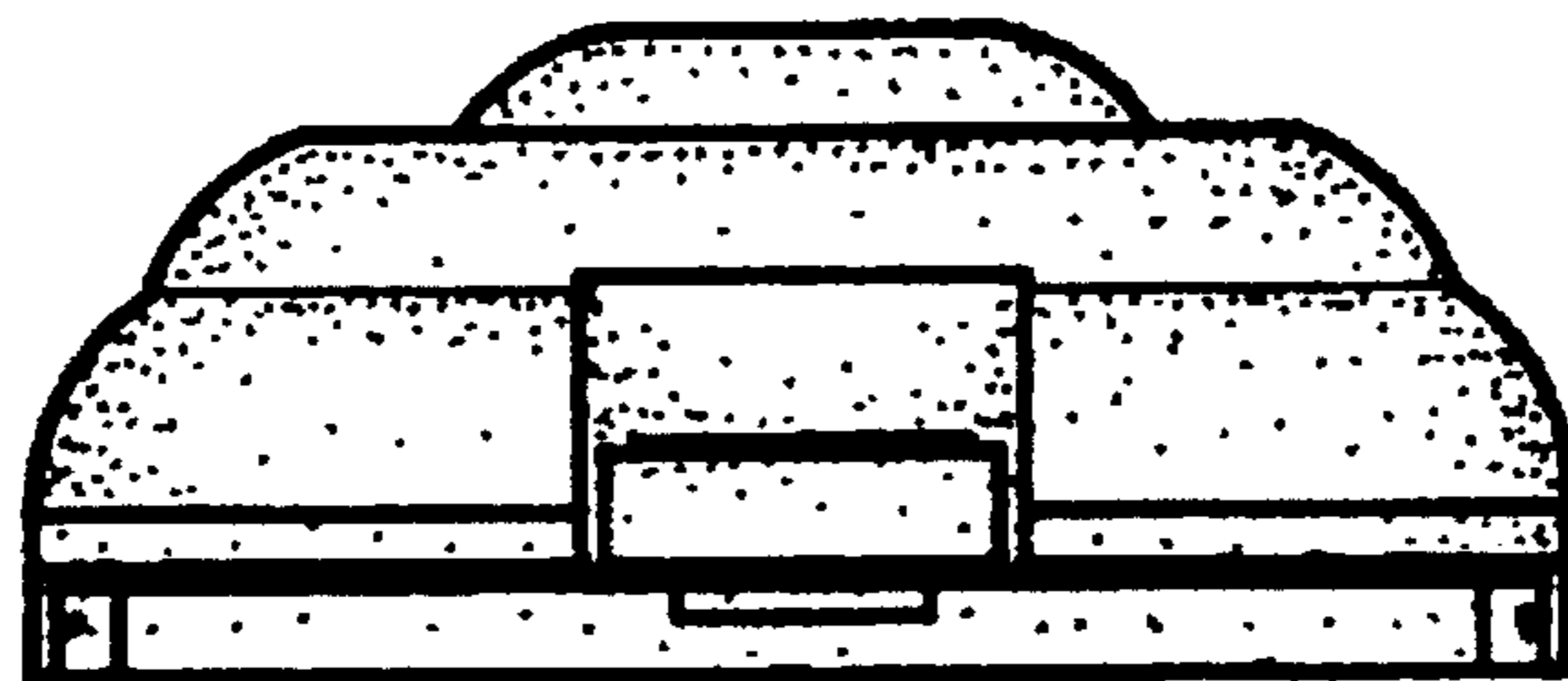


FIG.3

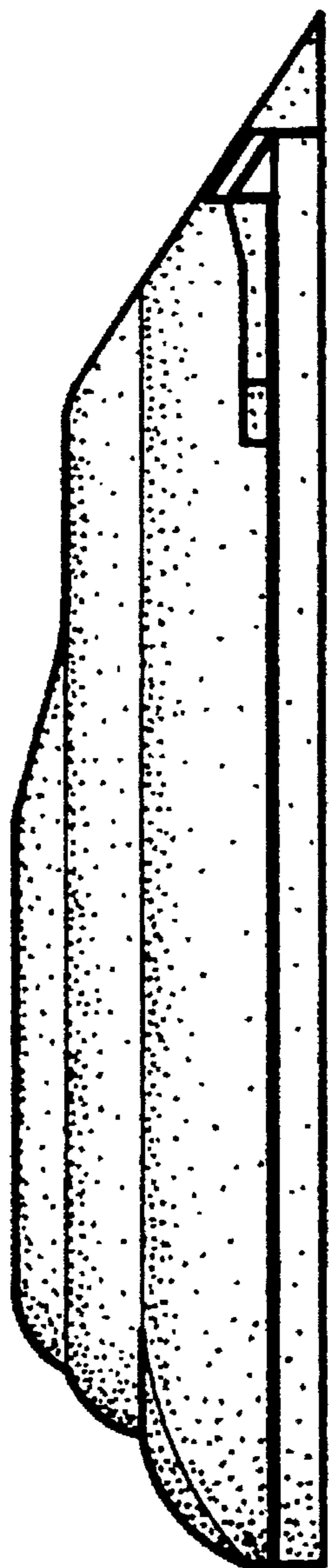


FIG.4



FIG. 5

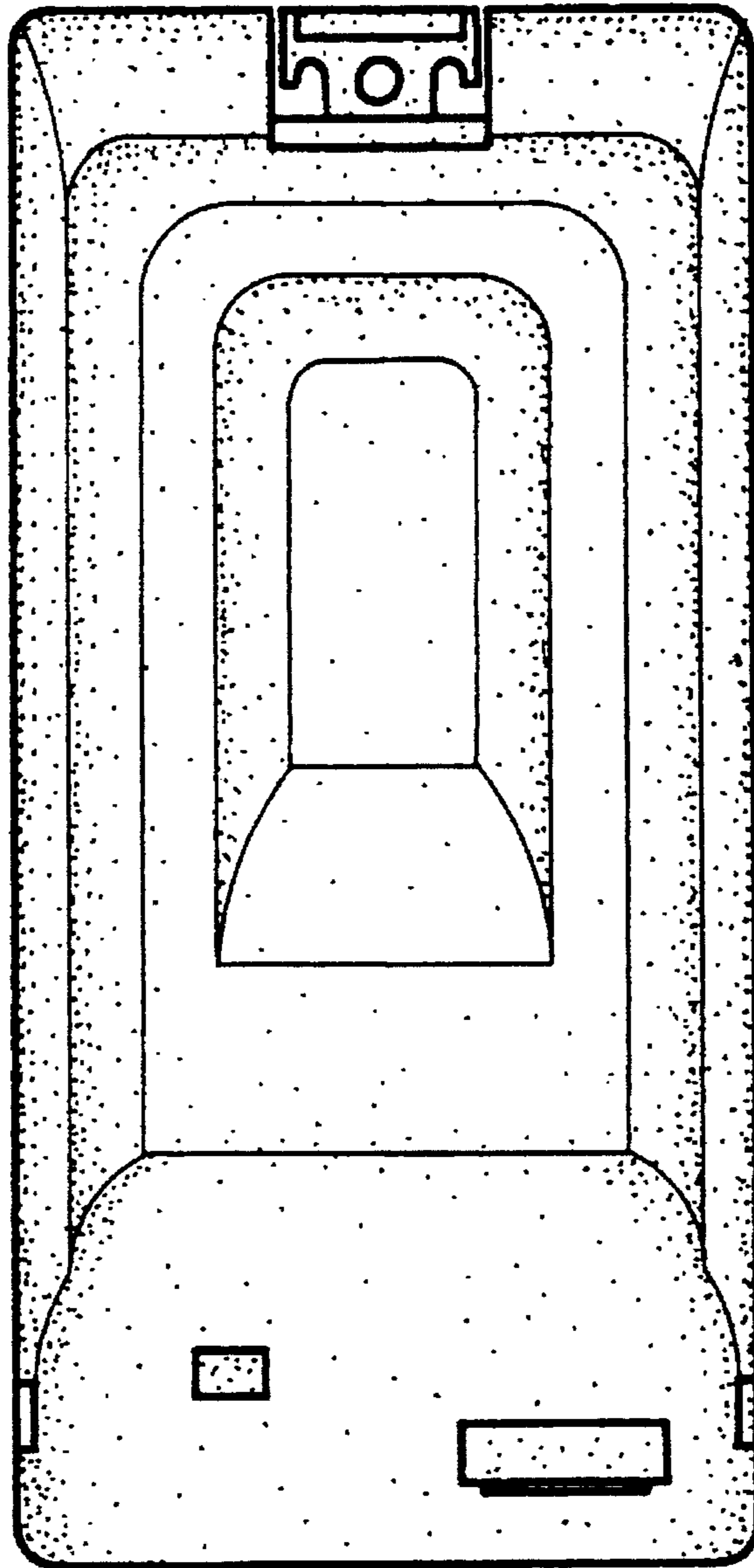


FIG.6

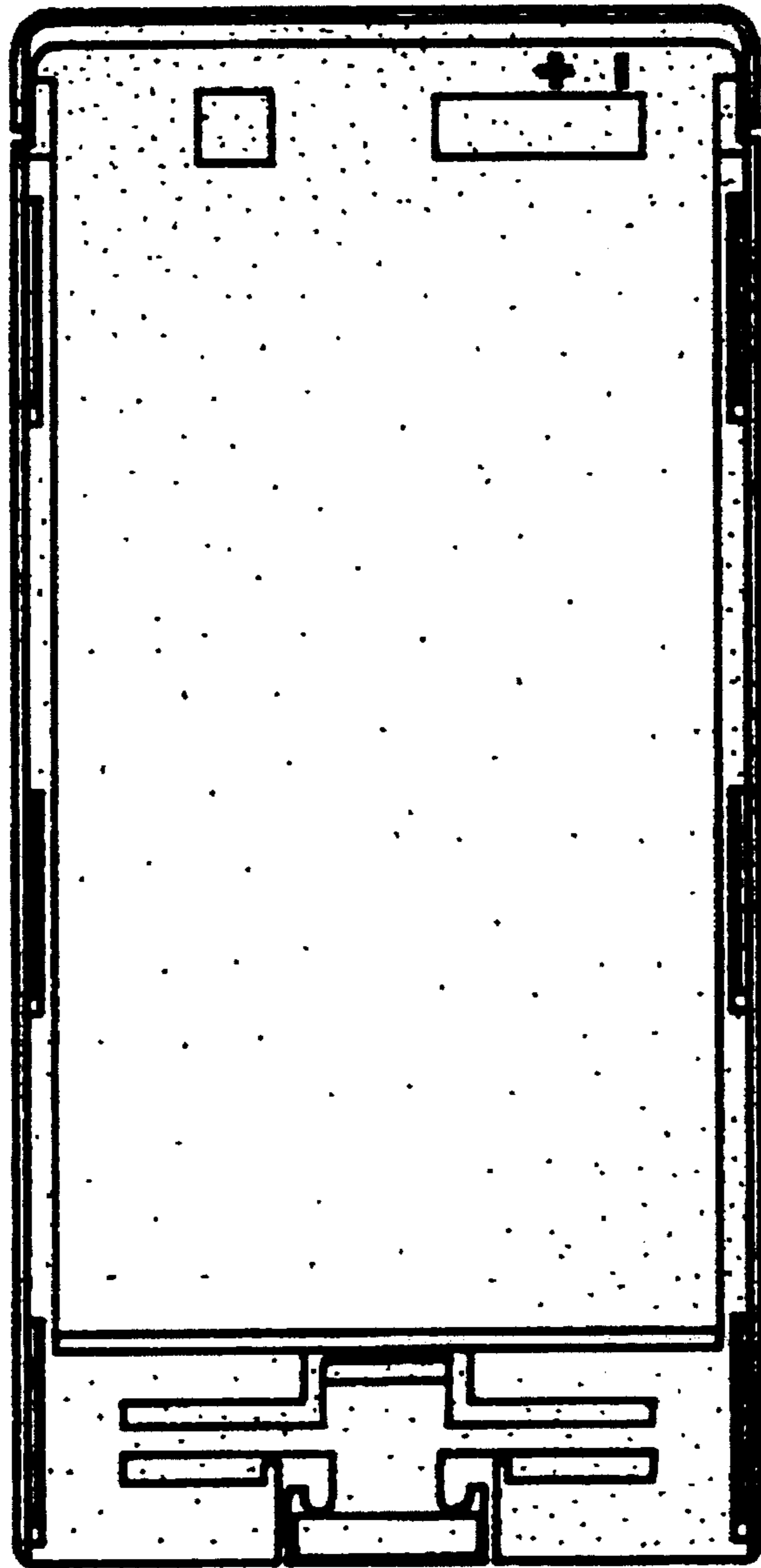


FIG. 7