



US00D375931S

United States Patent [19]

Ferrigan

[11] Patent Number: **Des. 375,931**

[45] Date of Patent: ****Nov. 26, 1996**

[54] **BEVERAGE TRAY FOR AUTOMOBILE CONSOLE**

[75] Inventor: **Paul J. Ferrigan**, Charlotte, N.C.

[73] Assignee: **Saratoga Technologies, Inc.**, Charlotte, N.C.

[**] Term: **14 Years**

[21] Appl. No.: **44,963**

[22] Filed: **Oct. 4, 1995**

[52] U.S. Cl. **D12/419**

[58] Field of Search D12/419, 425;
D7/620; 296/37.1, 37.6, 37.8; 224/515-520,
275; 108/44-46

[56] **References Cited**

U.S. PATENT DOCUMENTS

D. 257,914	1/1981	Wooters	D12/419
D. 264,525	5/1982	Page, Jr.	D12/419
D. 271,442	11/1983	Lehner	D12/419
D. 271,541	11/1983	Rockwell	D12/419
D. 273,442	4/1984	Schroeder	D12/419
D. 280,729	9/1985	Paternostro	D12/419
D. 290,189	6/1987	Sakui	D12/425
D. 339,681	9/1993	Okoli	D12/425

D. 341,249	11/1993	Scheurer	D12/425
D. 341,499	11/1993	Home	D12/425
4,938,401	7/1990	Weisbrodt et al.	224/275

Primary Examiner—Melody N. Brown
Attorney, Agent, or Firm—McCormick, Paulding & Huber

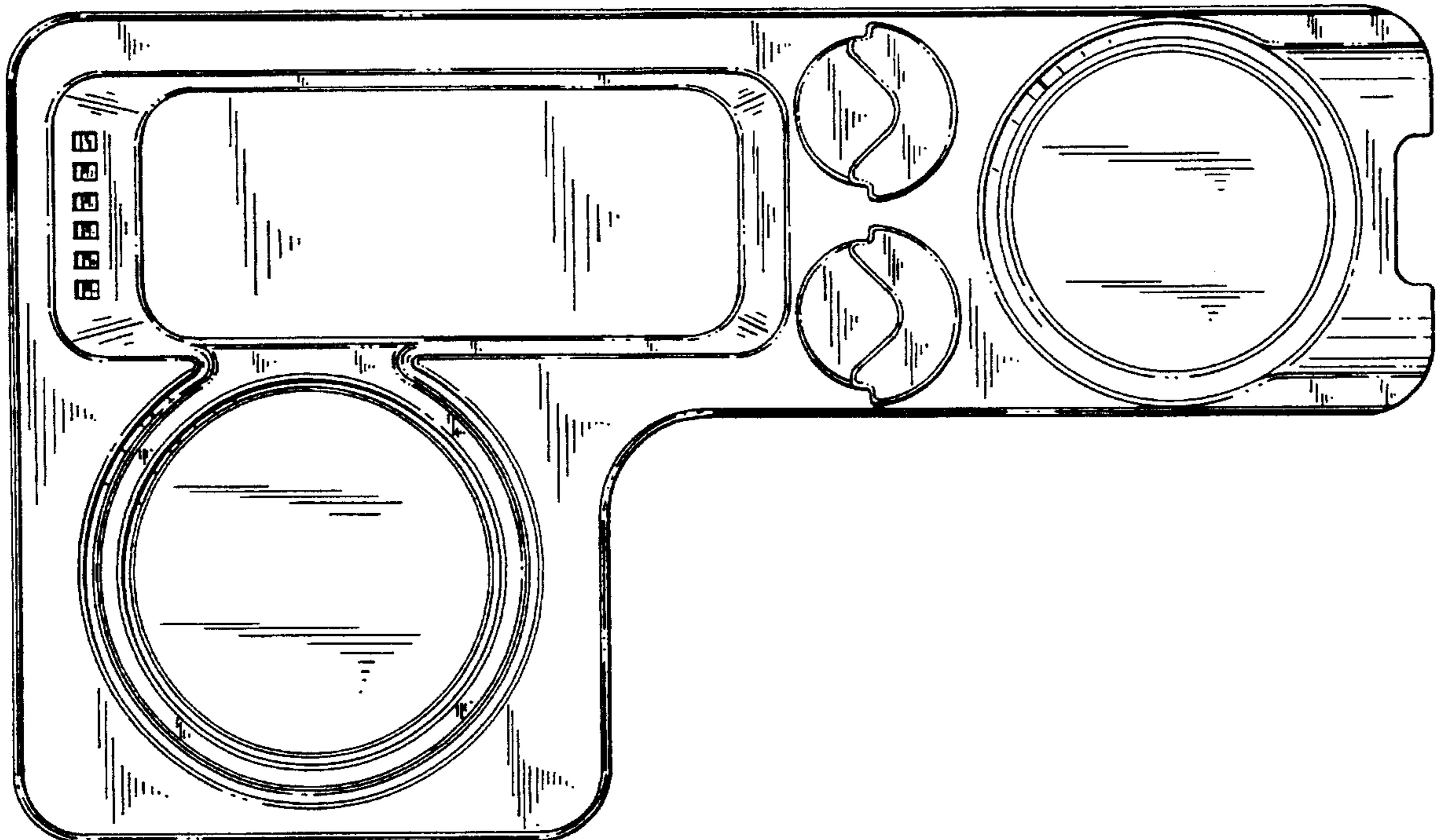
[57] **CLAIM**

The ornamental design for a beverage tray for automobile console, as shown and described.

DESCRIPTION

FIG. 1 is a left side elevational view of a beverage tray for automobile console showing my new design;
FIG. 2 is a top plan view thereof;
FIG. 3 is a right side elevational view thereof;
FIG. 4 is a bottom plan view thereof;
FIG. 5 is a front end elevational view thereof;
FIG. 6 is a rear end elevational view thereof;
FIG. 7 is a left side elevational view of a second embodiment of my beverage tray for automobile console;
FIG. 8 is a top plan view of FIG. 7;
FIG. 9 is a right side elevational view of FIG. 7;
FIG. 10 is a bottom plan view of FIG. 7;
FIG. 11 is a rear end elevational view of FIG. 7; and,
FIG. 12 is a front end elevational view of FIG. 7.

1 Claim, 8 Drawing Sheets



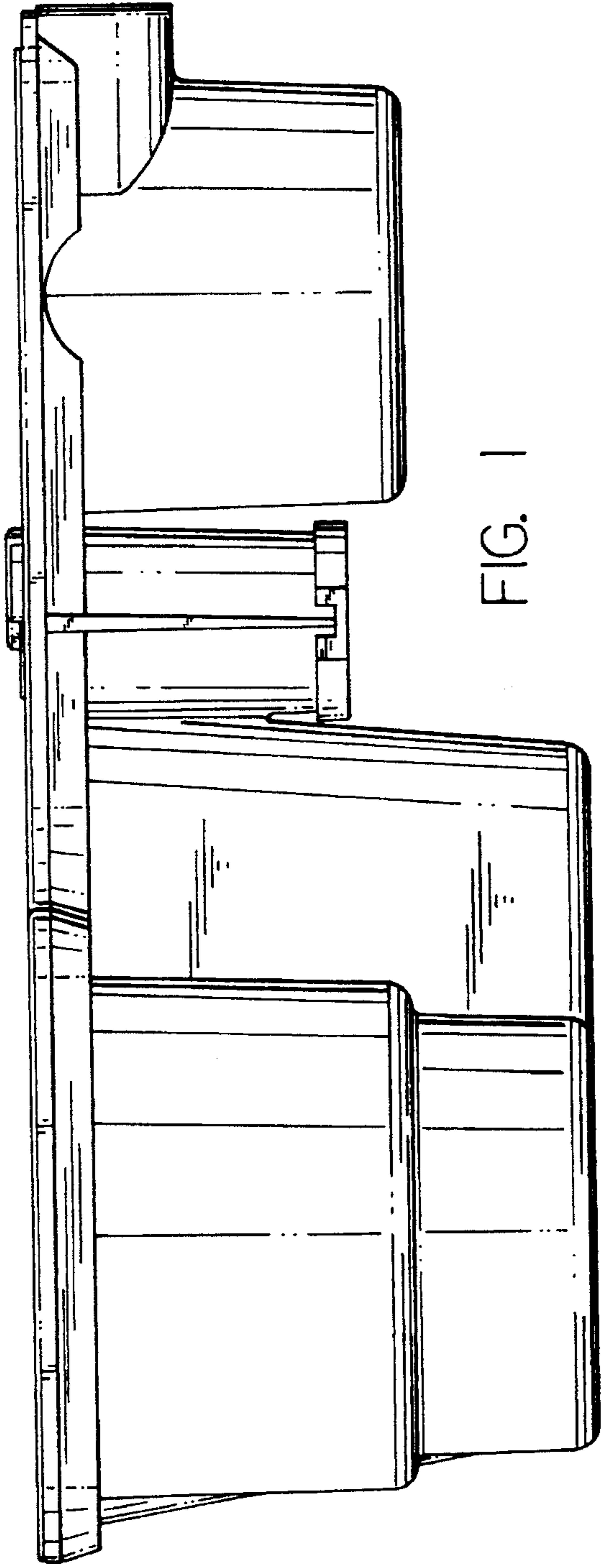


FIG. 1

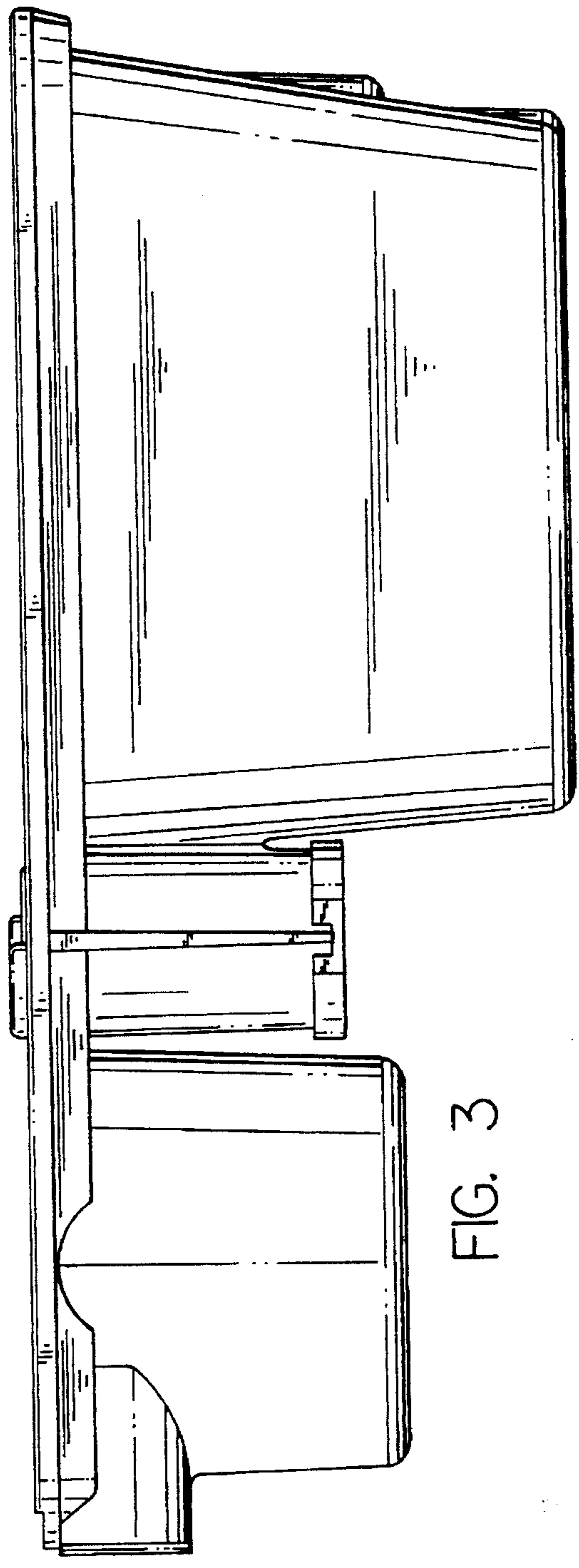


FIG. 3

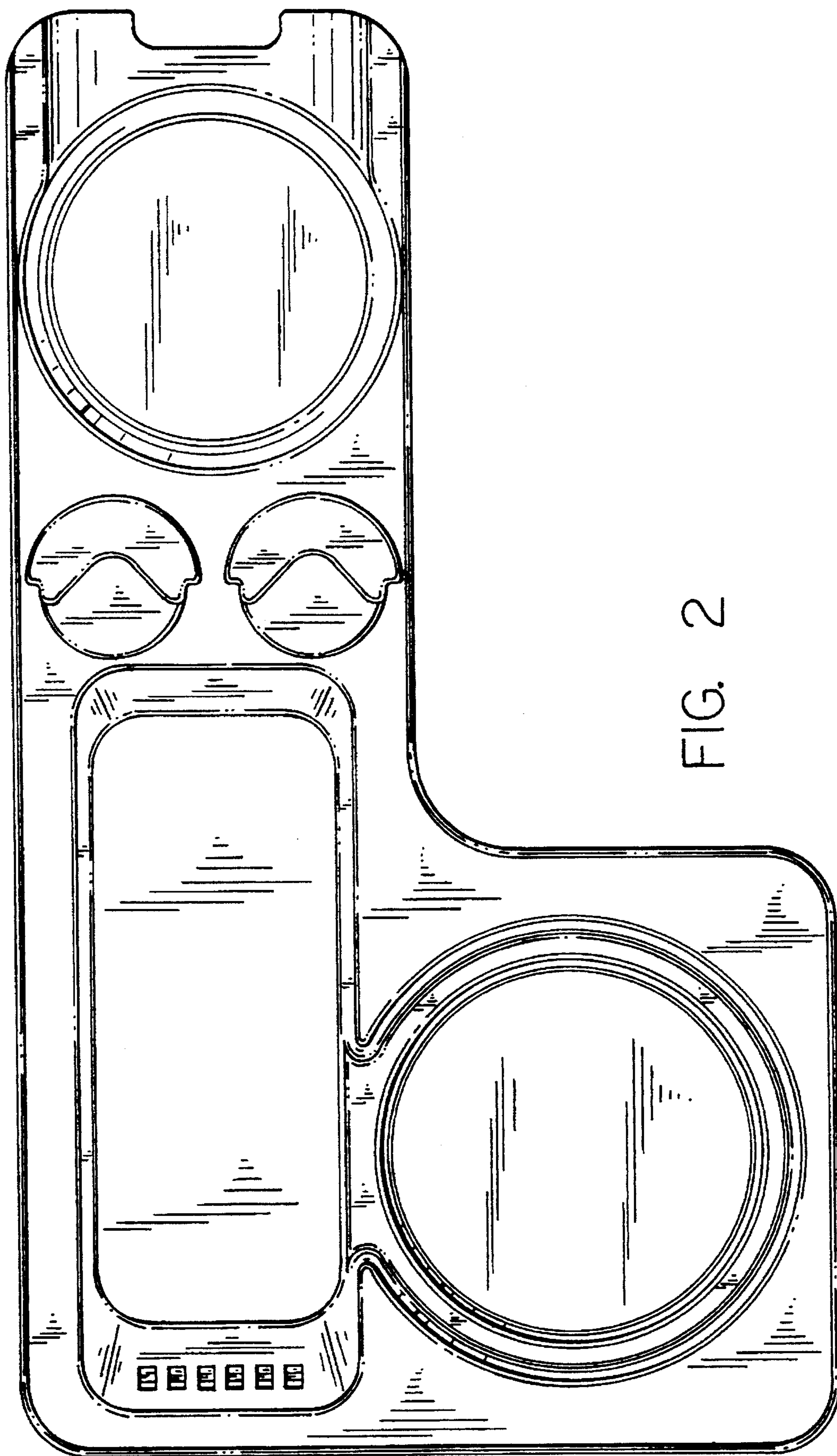


FIG. 2

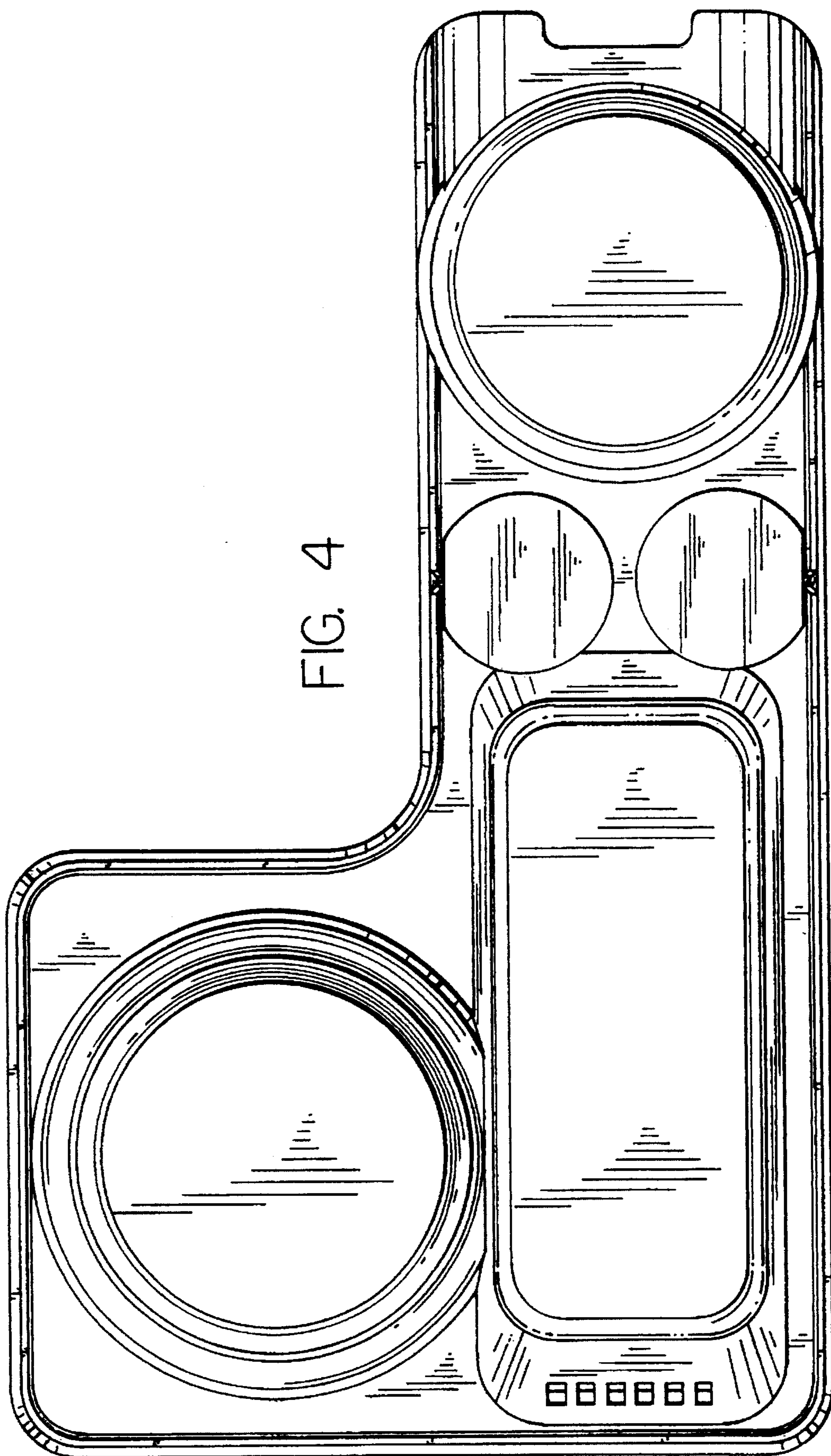


FIG. 4

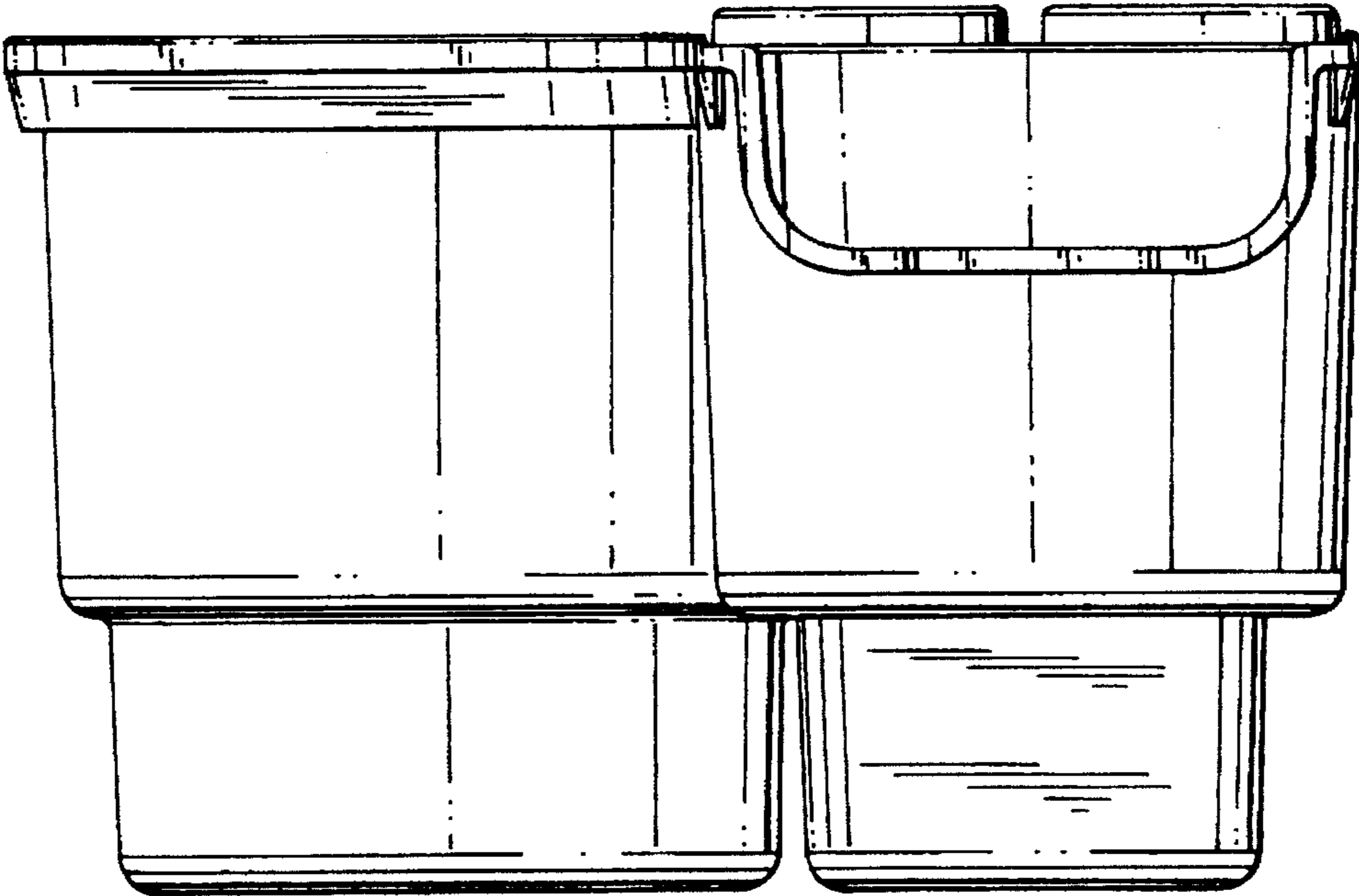


FIG. 5

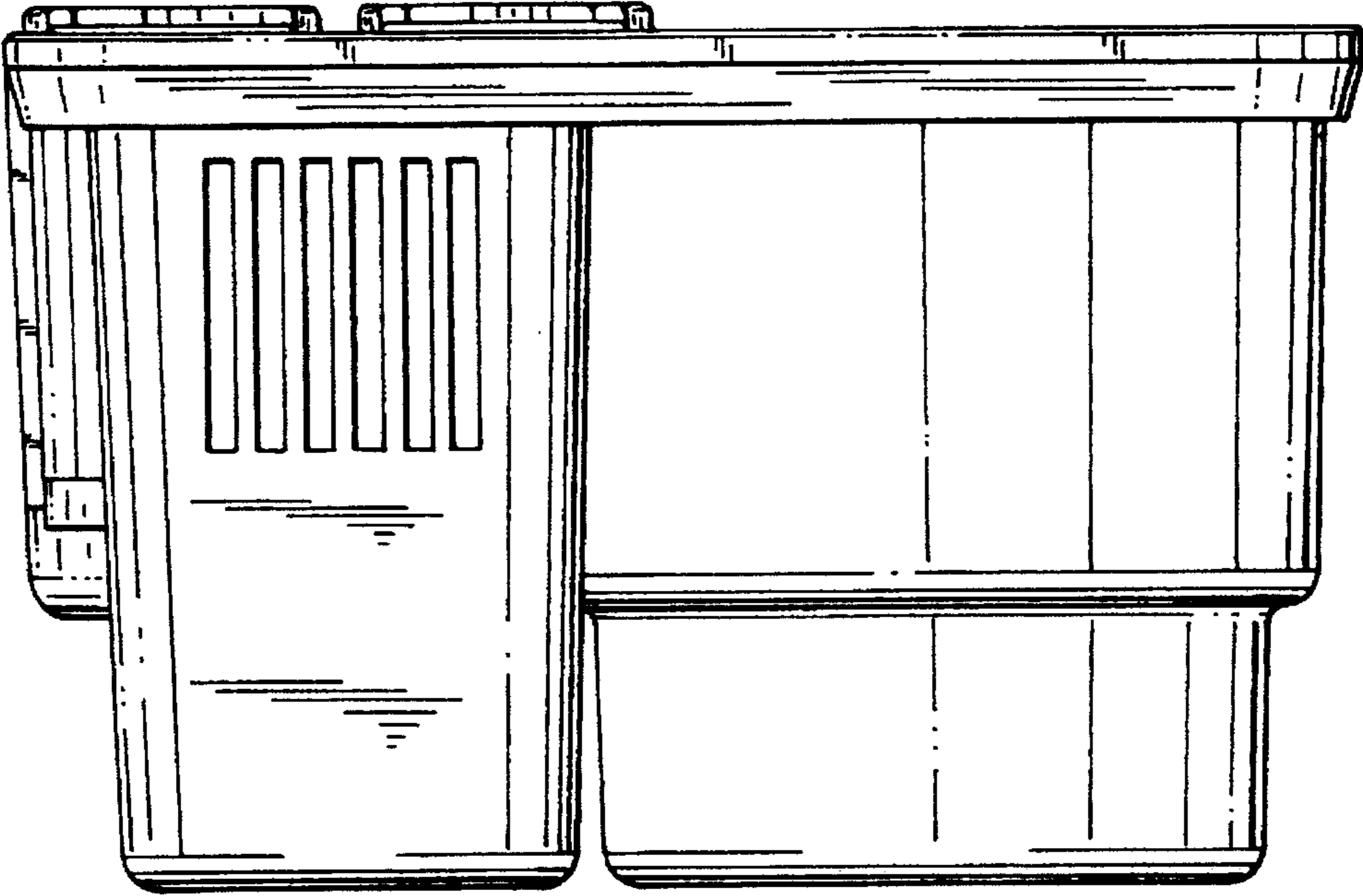


FIG. 6

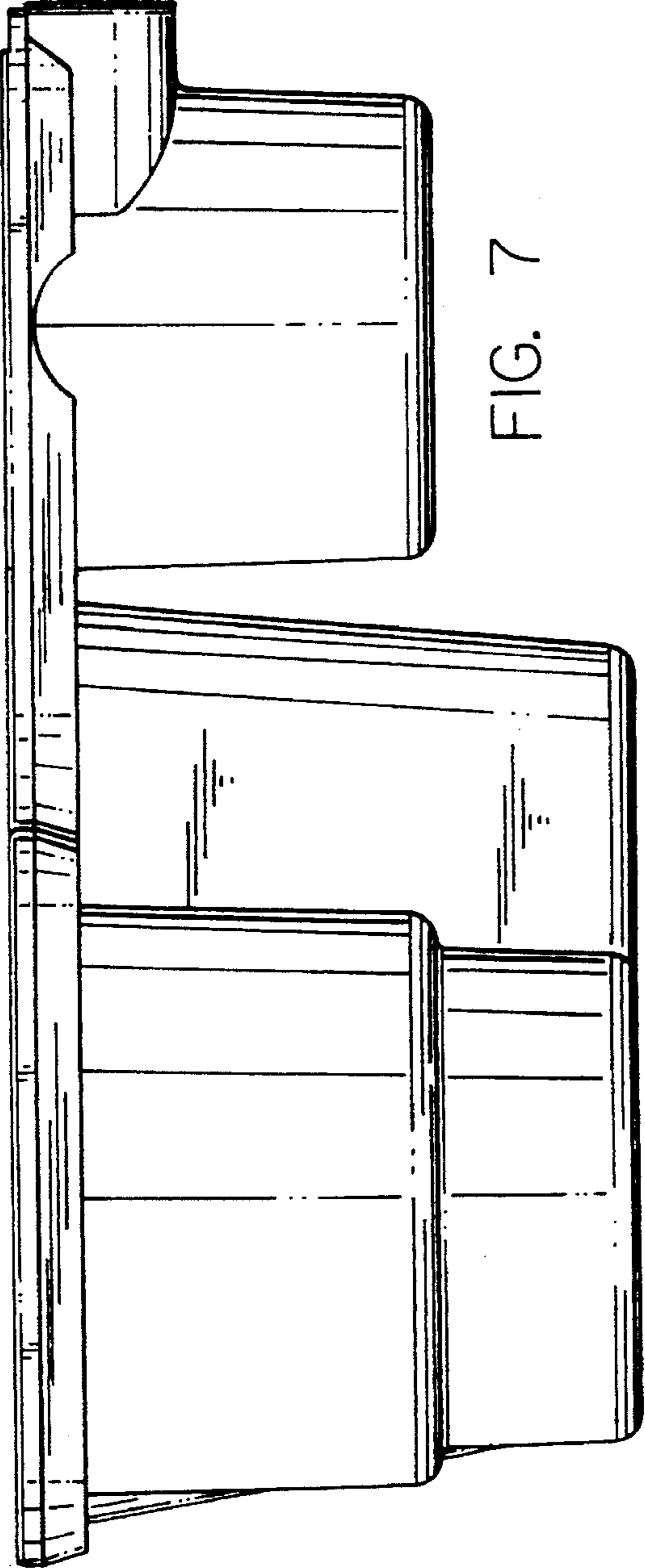


FIG. 7

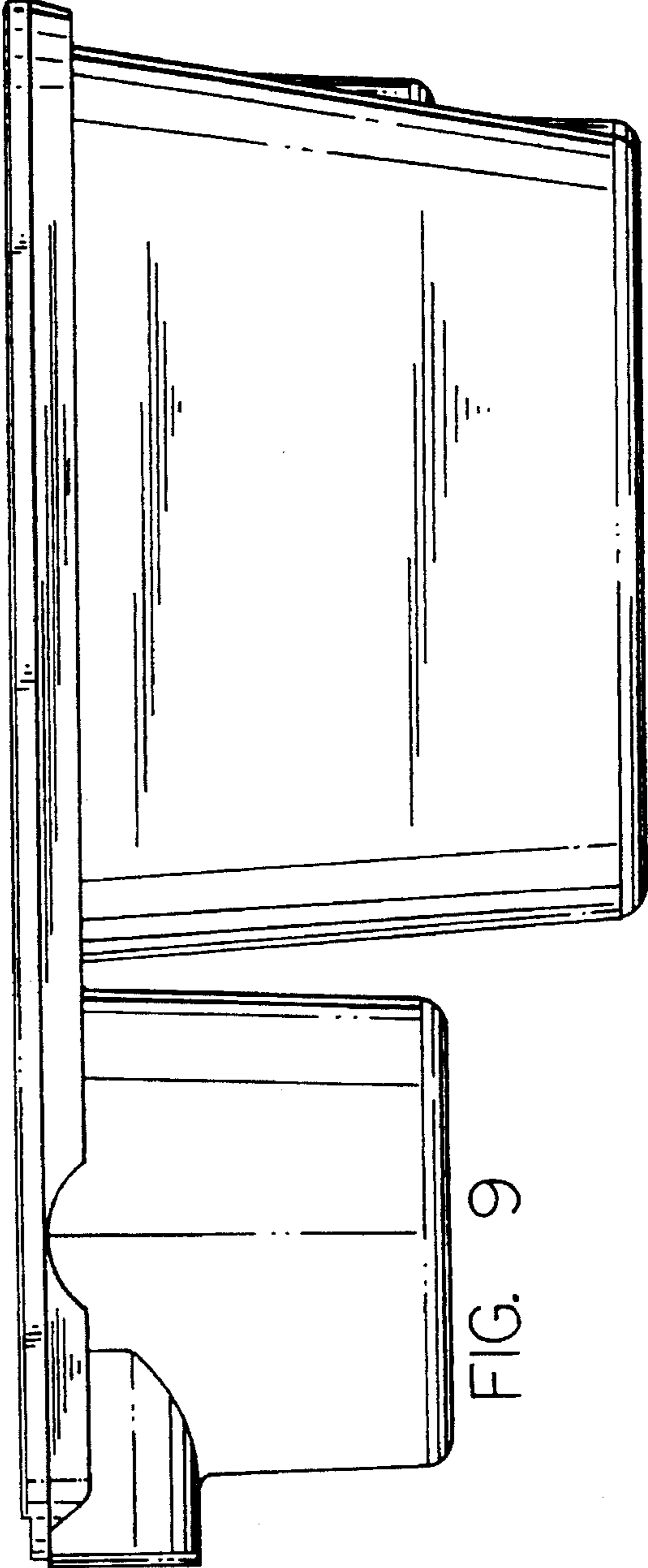


FIG. 9

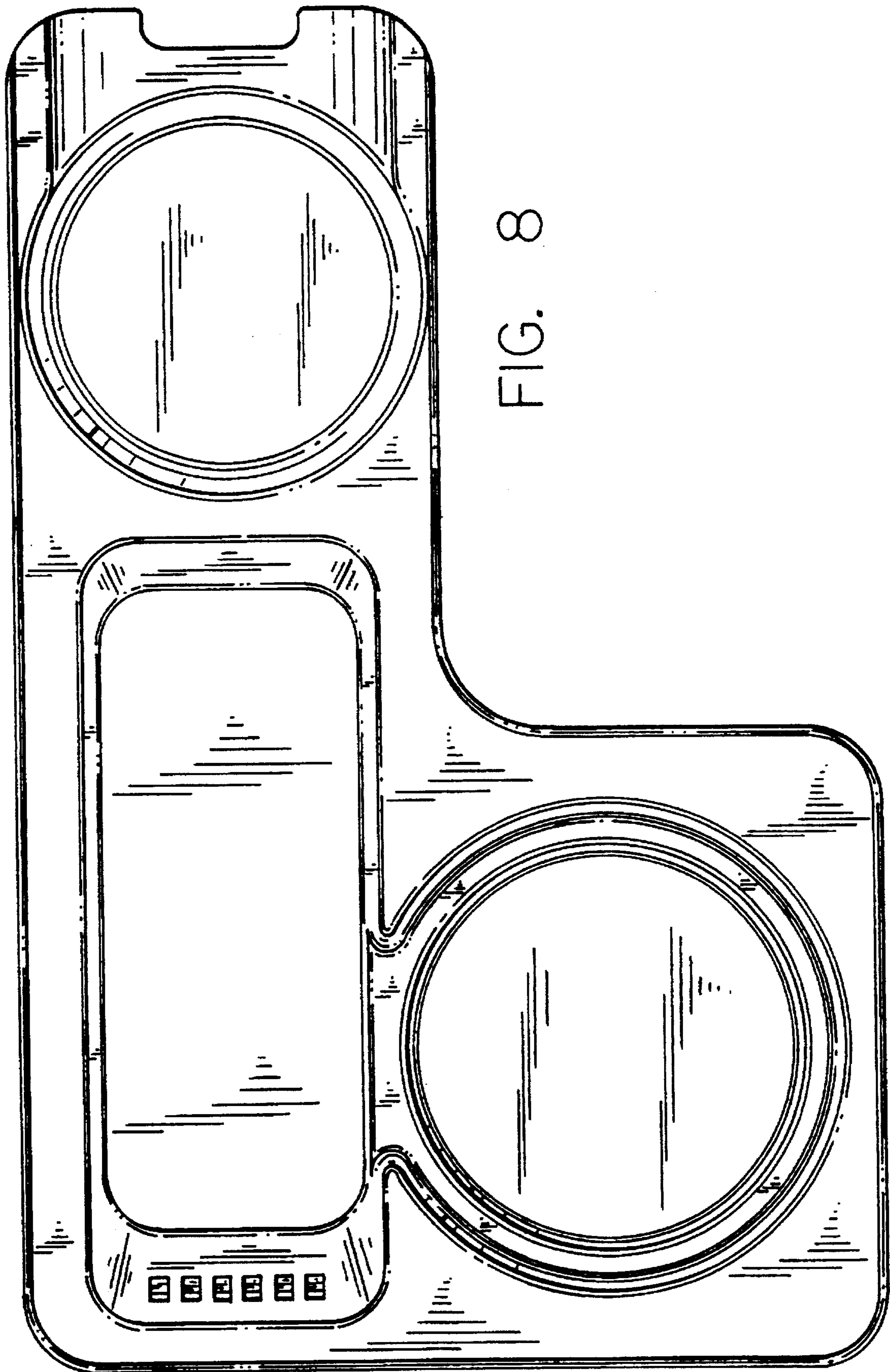


FIG. 8

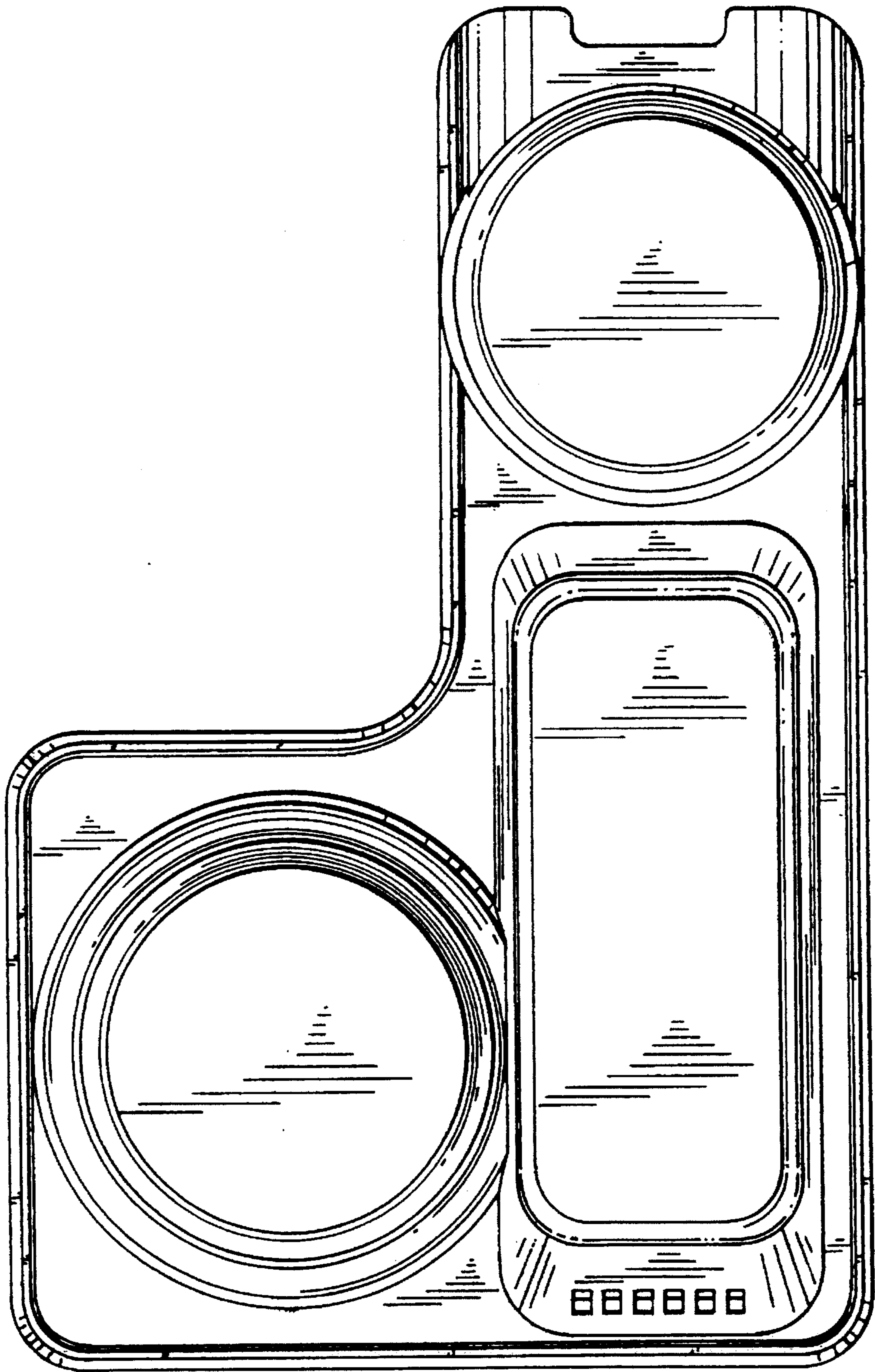


FIG. 10

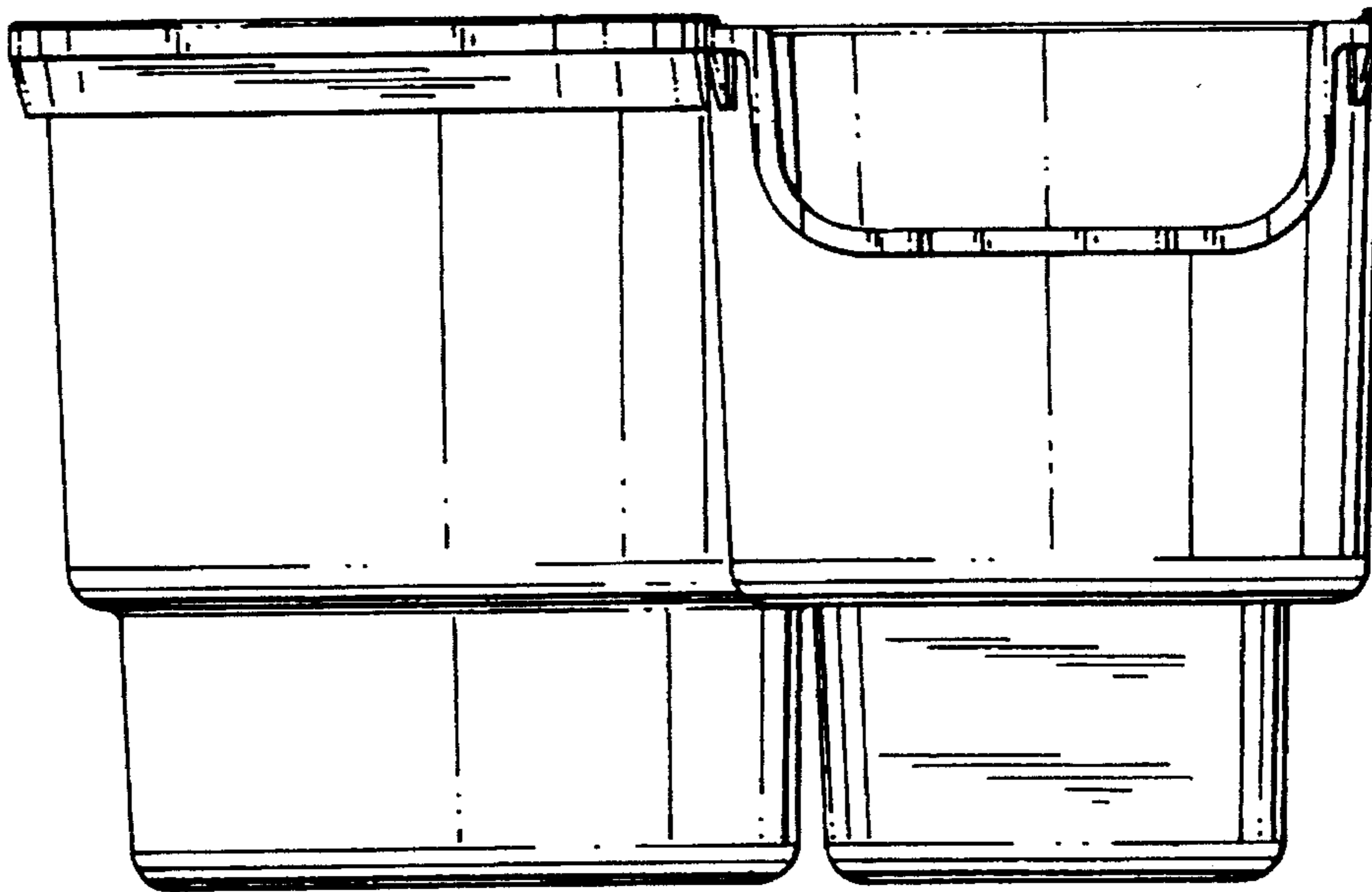


FIG. 11

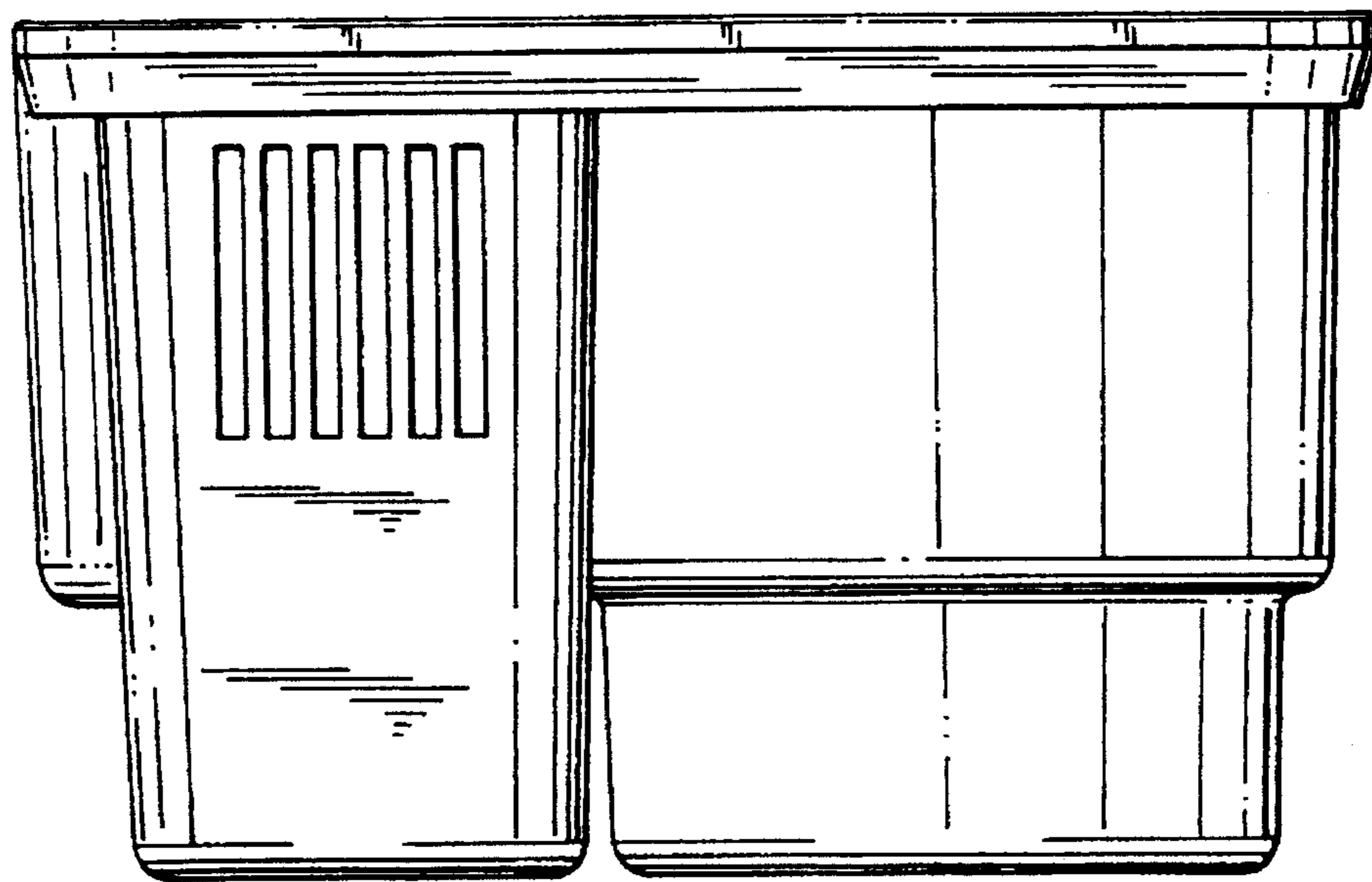


FIG. 12