



US00D375929S

United States Patent [19]

[11] Patent Number: **Des. 375,929**

Lujack et al.

[45] Date of Patent: ****Nov. 26, 1996**

[54] **GAS CAP FOR MOTORCYCLES**

4,797,538 1/1989 Schick 74/552

[76] Inventors: **George B. Lujack; Caron J. Adesso**,
both of P.O. Box 422, Long Beach,
N.Y. 11561

Primary Examiner—Melody N. Brown

[**] Term: **14 Years**

[57] CLAIM

The ornamental design for a gas cap for motorcycles, as shown and described.

[21] Appl. No.: **51,559**

DESCRIPTION

[22] Filed: **Mar. 13, 1996**

[52] U.S. Cl. **D12/197; D12/114**

[58] Field of Search **D12/197; D23/260;**
220/86.1-86.3, DIG. 32, DIG. 33, 254,
293, 744; 74/552

FIG. 1 is a top plan view of a gas cap for motorcycles showing our new design;

FIG. 2 is a bottom plan view thereof;

FIG. 3 is a front elevational view thereof, the rear being a mirror image of the front shown thereof;

FIG. 4 is a right side elevational view thereof;

FIG. 5 is a left side elevational view thereof;

FIG. 6 is a cross sectional view thereof, taken in directions of the arrows along line 5—5 of FIG. 1;

FIG. 7 is an exploded side elevational view thereof; and,

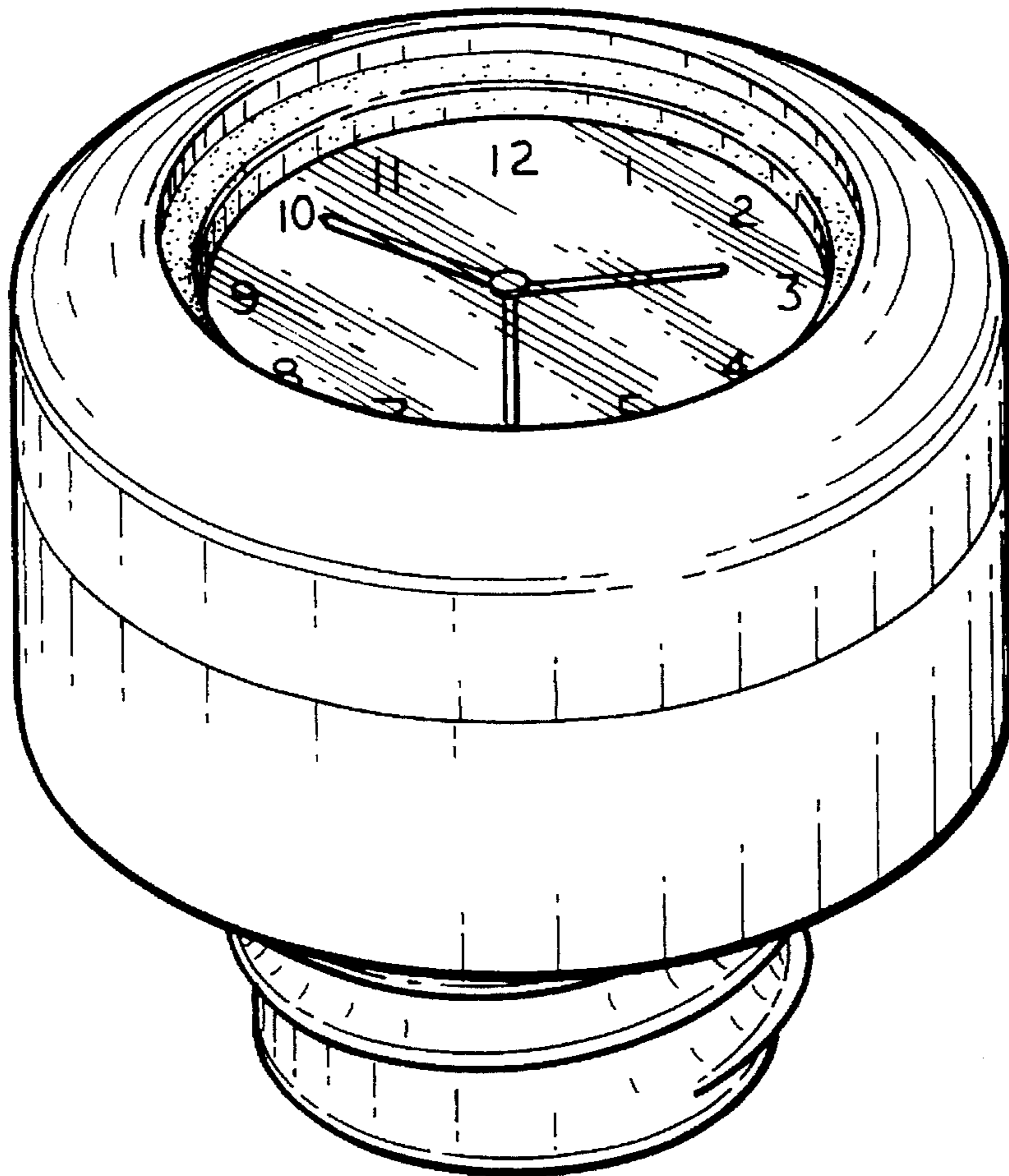
FIG. 8 is a top perspective view thereof.

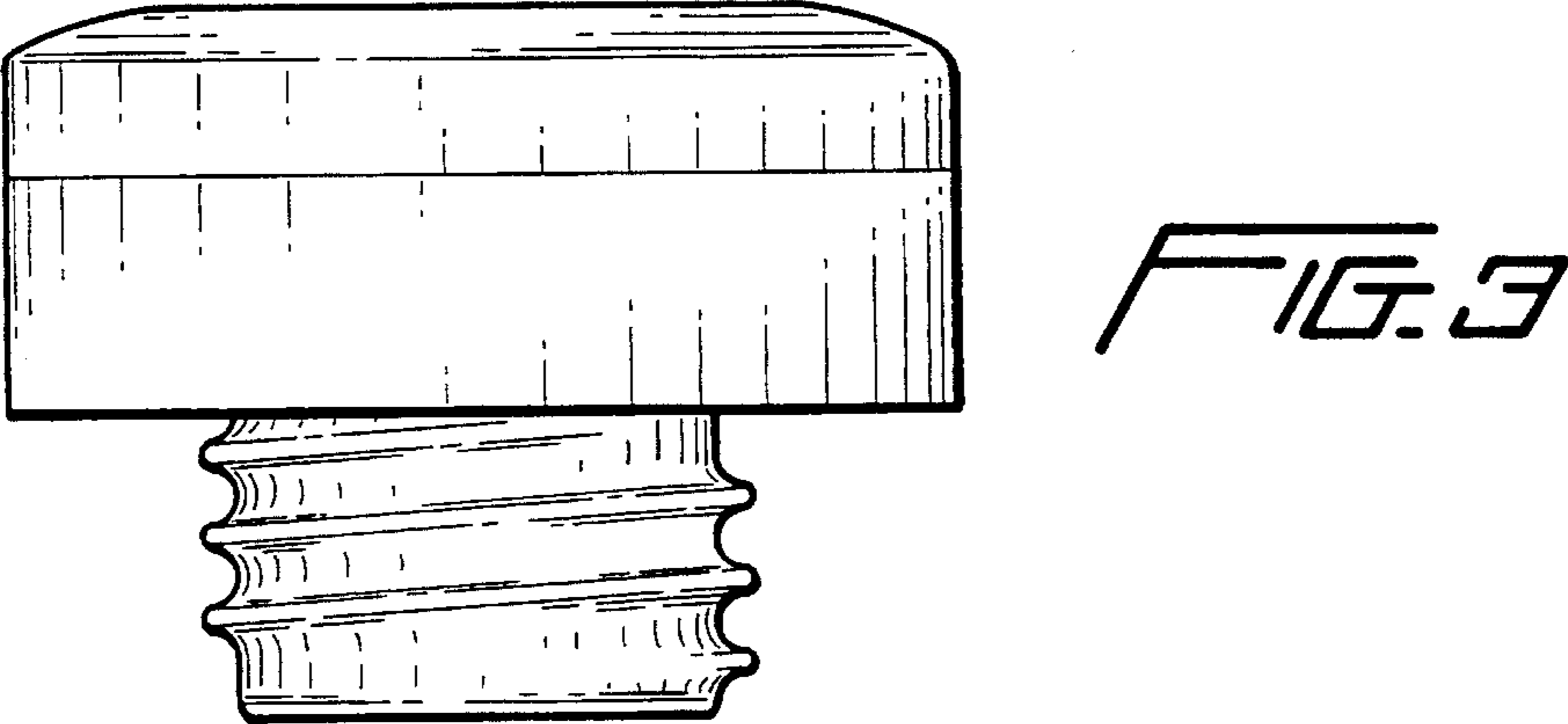
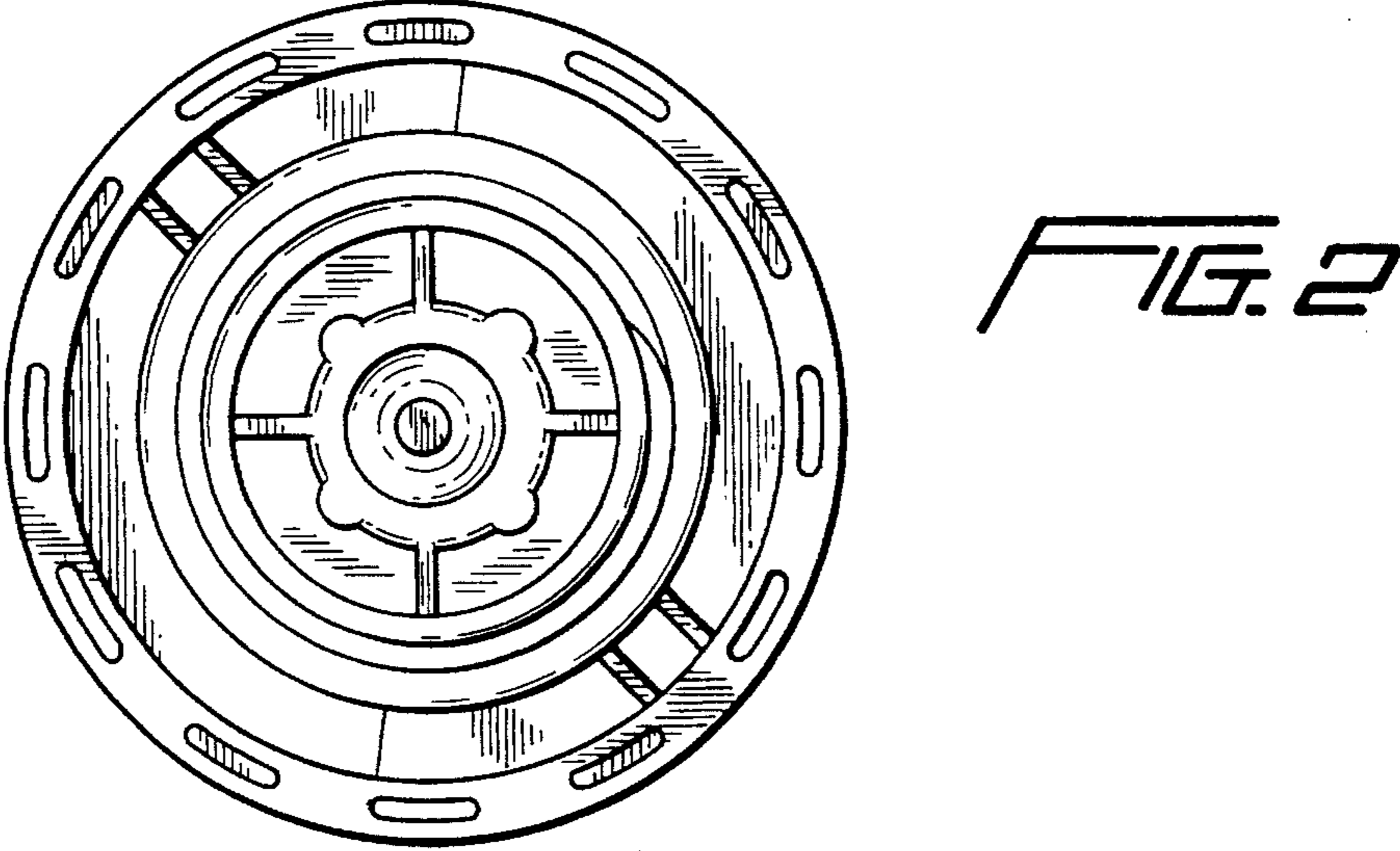
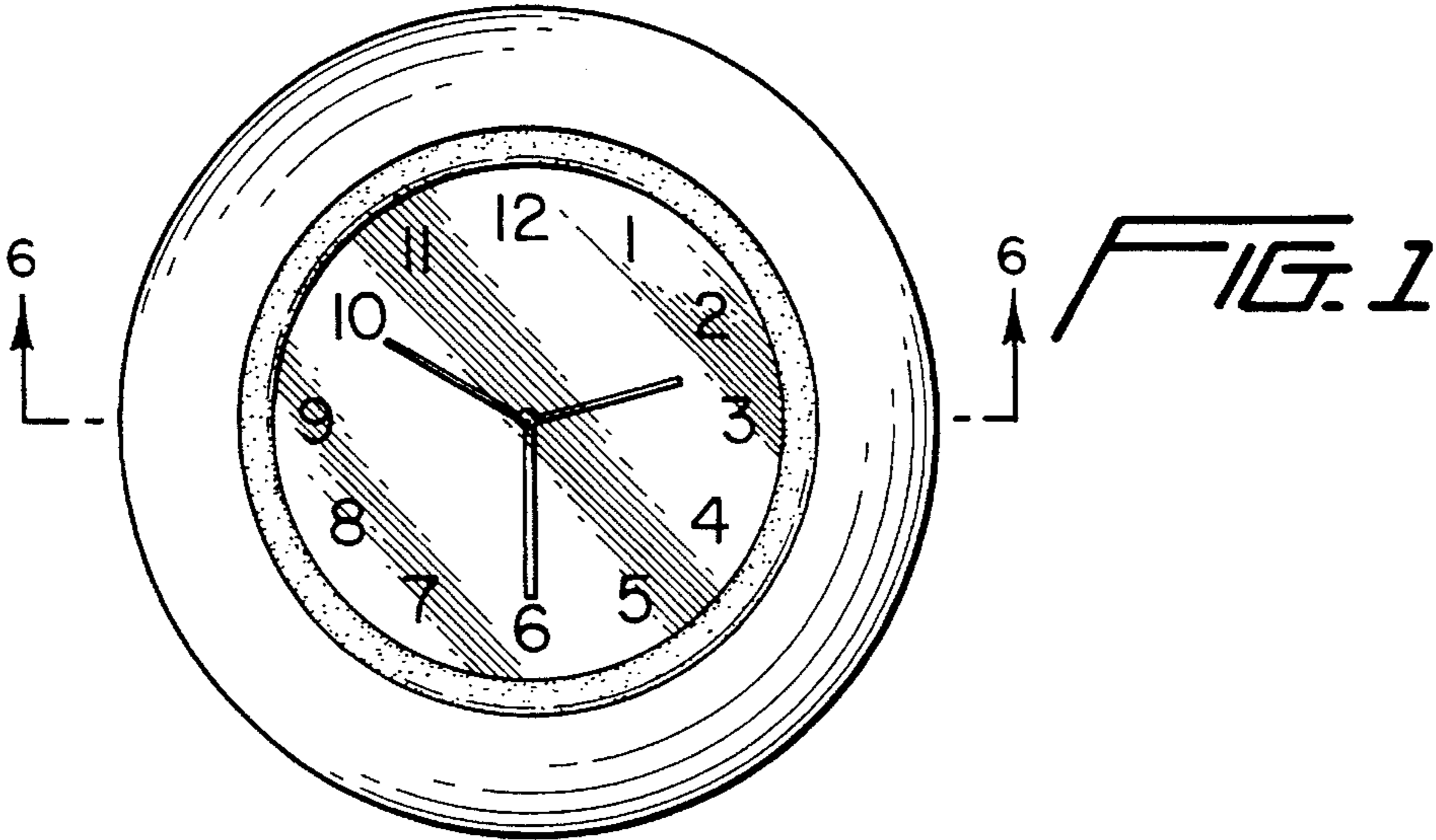
[56] References Cited

U.S. PATENT DOCUMENTS

| | | | | |
|------------|---------|-------------|-------|---------|
| D. 300,129 | 3/1989 | Whitley, II | | D12/197 |
| D. 338,650 | 8/1993 | Bujan | | D12/197 |
| D. 342,924 | 1/1994 | Hogg | | D12/197 |
| 1,983,195 | 12/1934 | Seiler | | 74/552 |

1 Claim, 3 Drawing Sheets





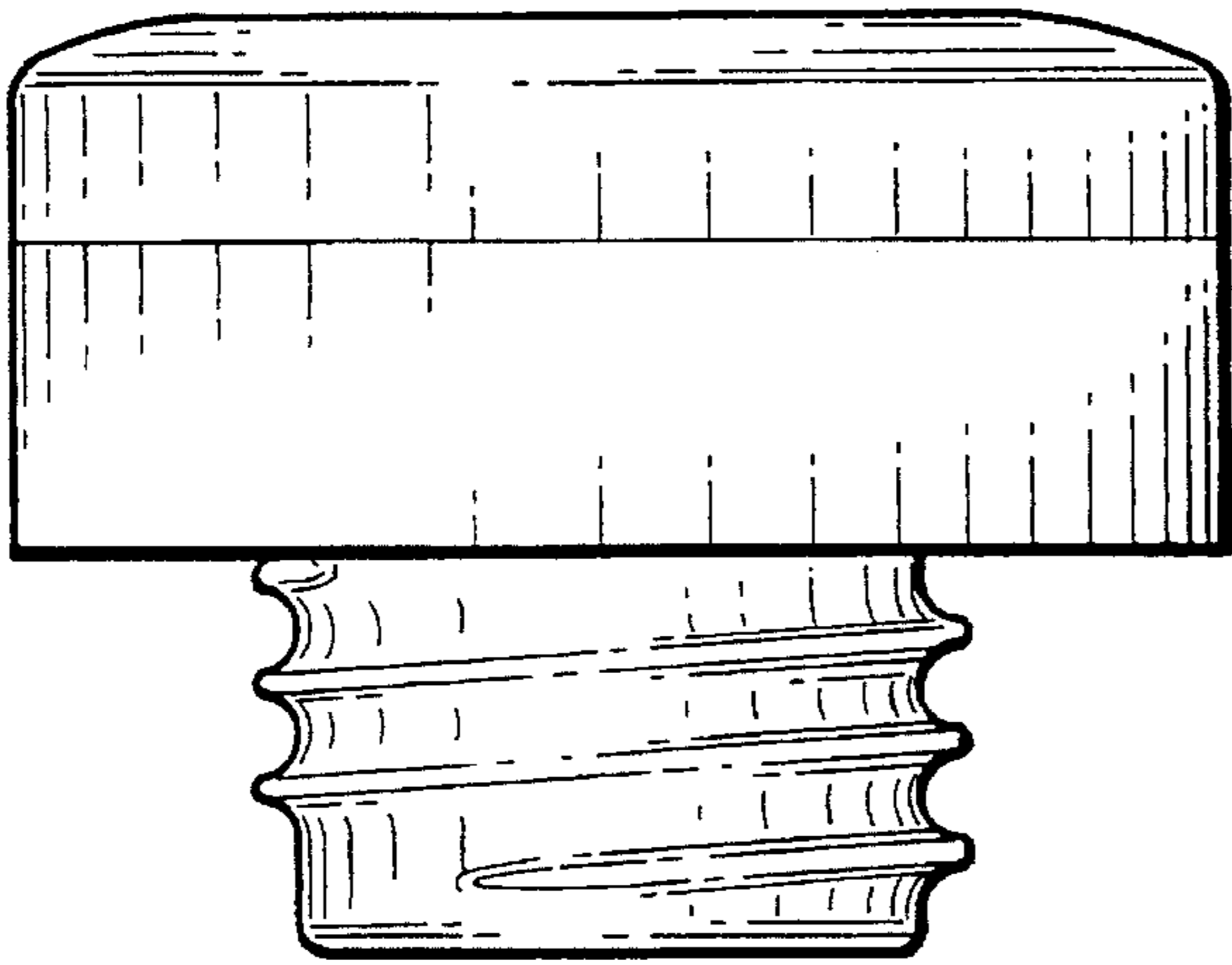


FIG. 4

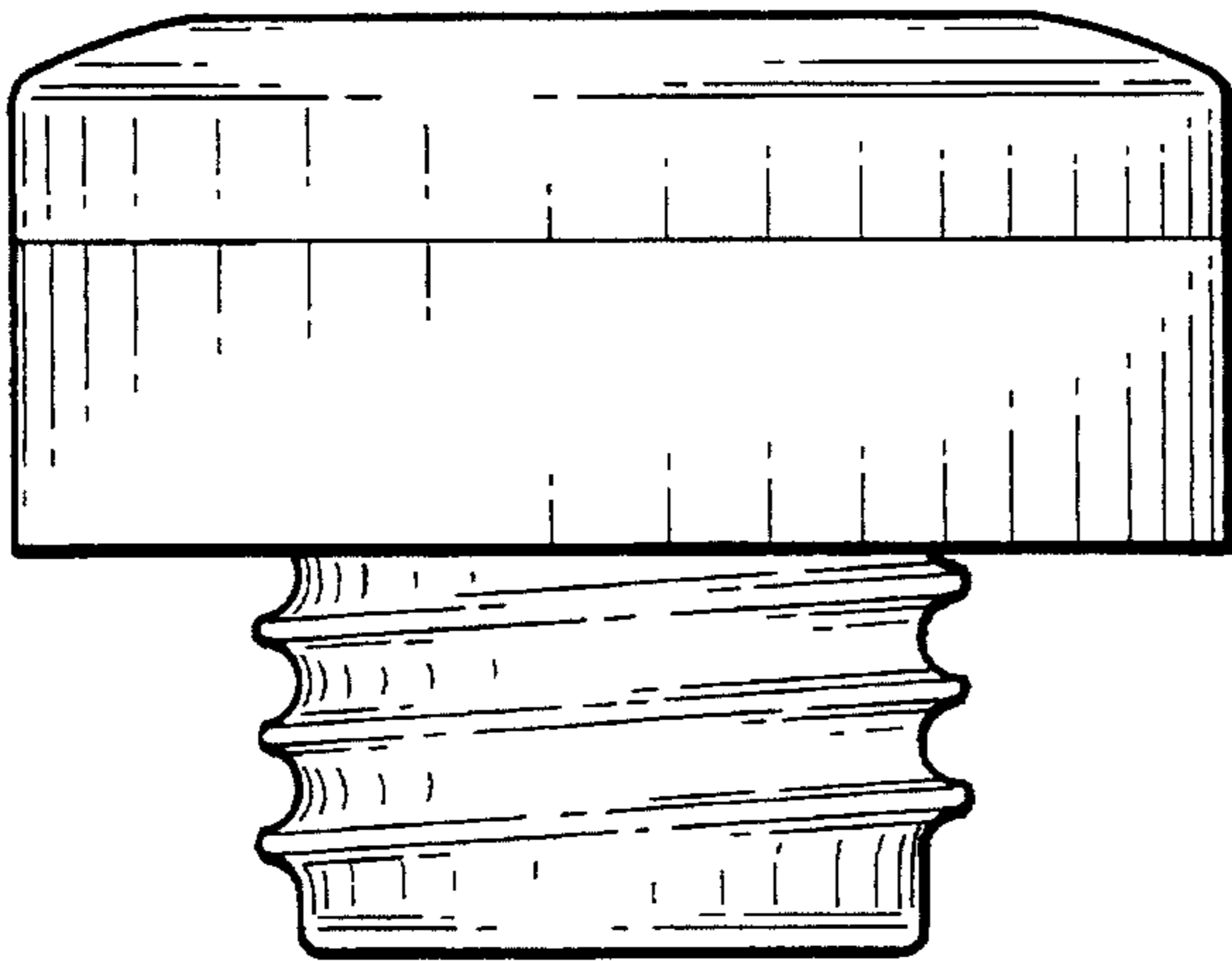


FIG. 5

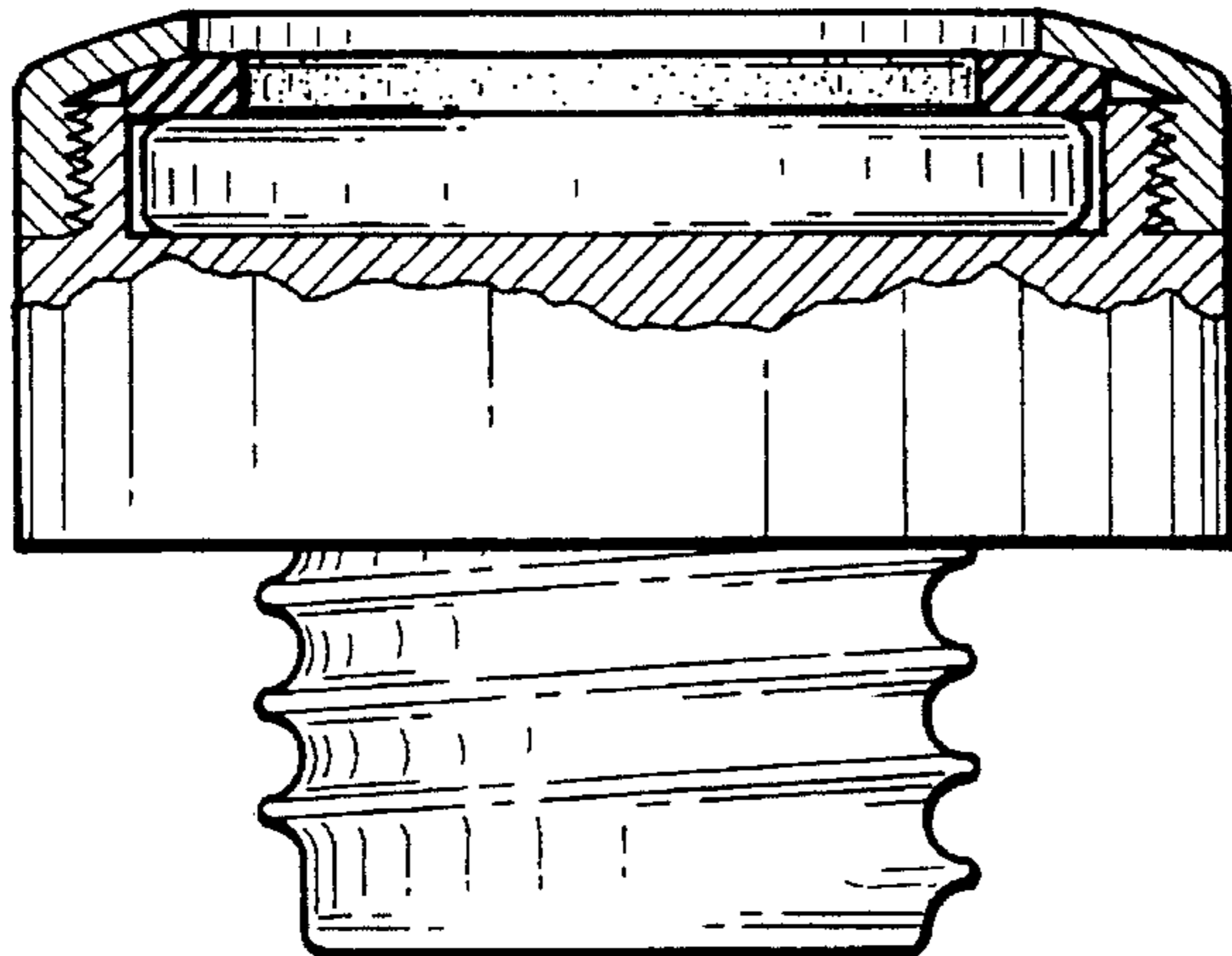


FIG. 6

