



US00D375927S

United States Patent [19]

Quintana et al.

[11] Patent Number: **Des. 375,927**

[45] Date of Patent: ****Nov. 26, 1996**

[54] **AIR SCOOP FOR
DEFOGGING/DEFROSTING WEST COAST
MIRROR HEADS**

5,150,941	9/1992	Silzer et al.	454/135 X
5,296,678	3/1994	Schnorf	454/121
5,302,809	4/1994	Ghiassy	219/219
5,440,425	8/1995	Kadooka et al.	219/219

[76] Inventors: **Ross Quintana**, P.O. Box 5031, Moss Point, Miss. 39563; **James V. Cayo**, P.O. Box 1601, Mobile, Ala. 36633

Primary Examiner—James M. Gandy
Assistant Examiner—Linda Brooks
Attorney, Agent, or Firm—George L. Williamson

[**] Term: **14 Years**

[57] **CLAIM**

[21] Appl. No.: **31,408**

The ornamental design for an air scoop for defogging/defrosting west coast mirror heads, as shown and described.

[22] Filed: **Nov. 25, 1994**

DESCRIPTION

[52] U.S. Cl. **D12/188; D12/181**

[58] **Field of Search** D23/326, 355; 219/219, 202, 203; 454/121, 93, 124, 135, 130, 131, 96, 98, 108; 359/864, 845, 509, 514; 248/479, 476, 487; D12/187, 188, 189, 181, 182; 296/180.1, 91, 85; 280/288.4

FIG. 1 is a front perspective view of an air scoop for defogging/defrosting west coast mirror heads showing our new design;

FIG. 2 is a rear perspective view;

FIG. 3 is a front perspective view;

FIG. 4 is a right side view;

FIG. 5 is a left side view;

FIG. 6 is a front elevation view;

FIG. 7 is a rear elevation view;

FIG. 8 is a top view; and,

FIG. 9 is a bottom view.

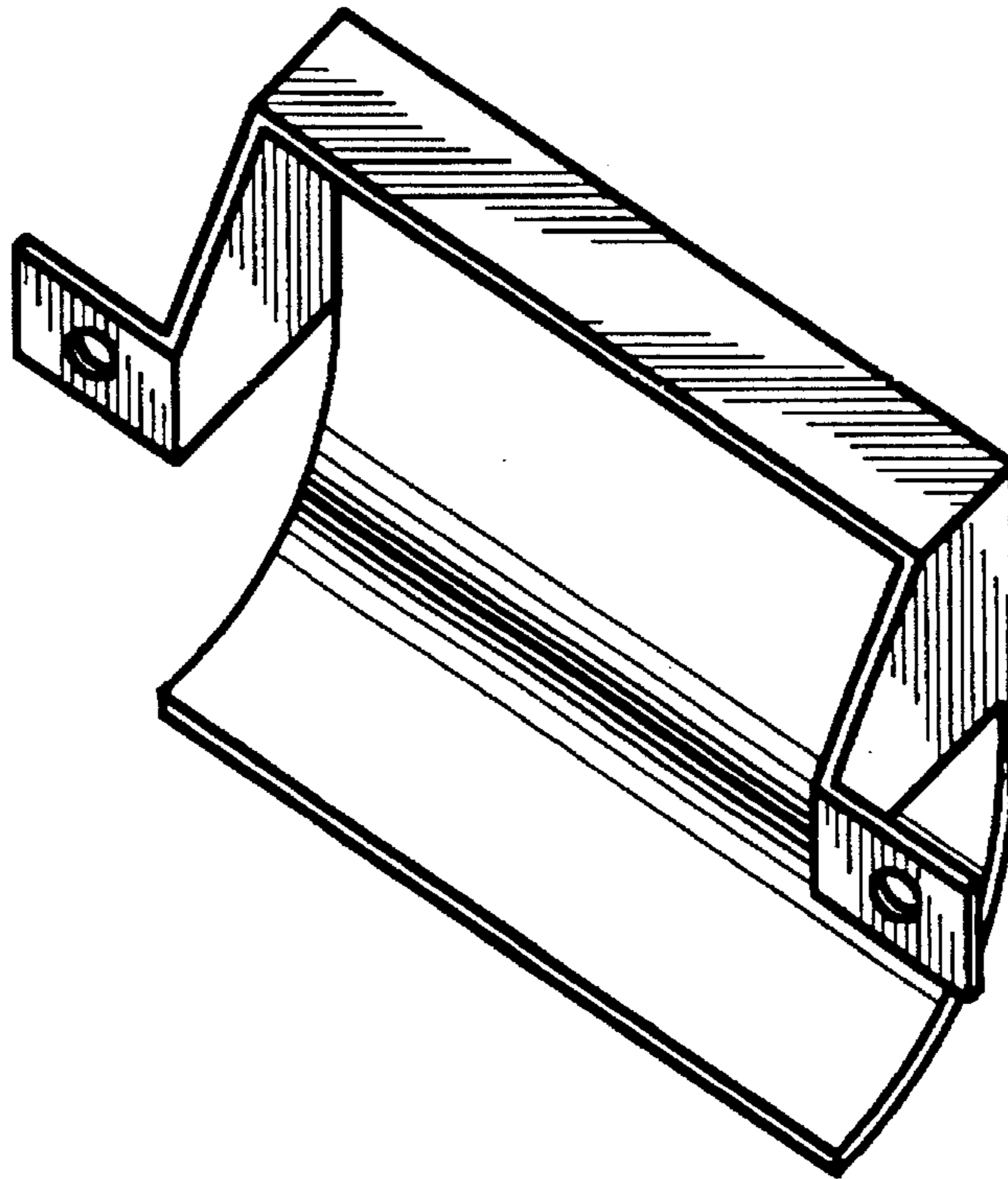
The broken lines shown in FIG. 1 are for illustrative purposes only and form no part of the claimed design.

[56] **References Cited**

U.S. PATENT DOCUMENTS

D. 282,458	2/1986	Whittington	D12/181
D. 282,535	2/1986	Whittington	D12/181
D. 325,250	4/1992	Kloster	D23/326
2,594,682	4/1952	Ritch	454/135
4,085,665	4/1978	Paxton	454/135
4,196,930	4/1980	Busche	296/91

1 Claim, 2 Drawing Sheets



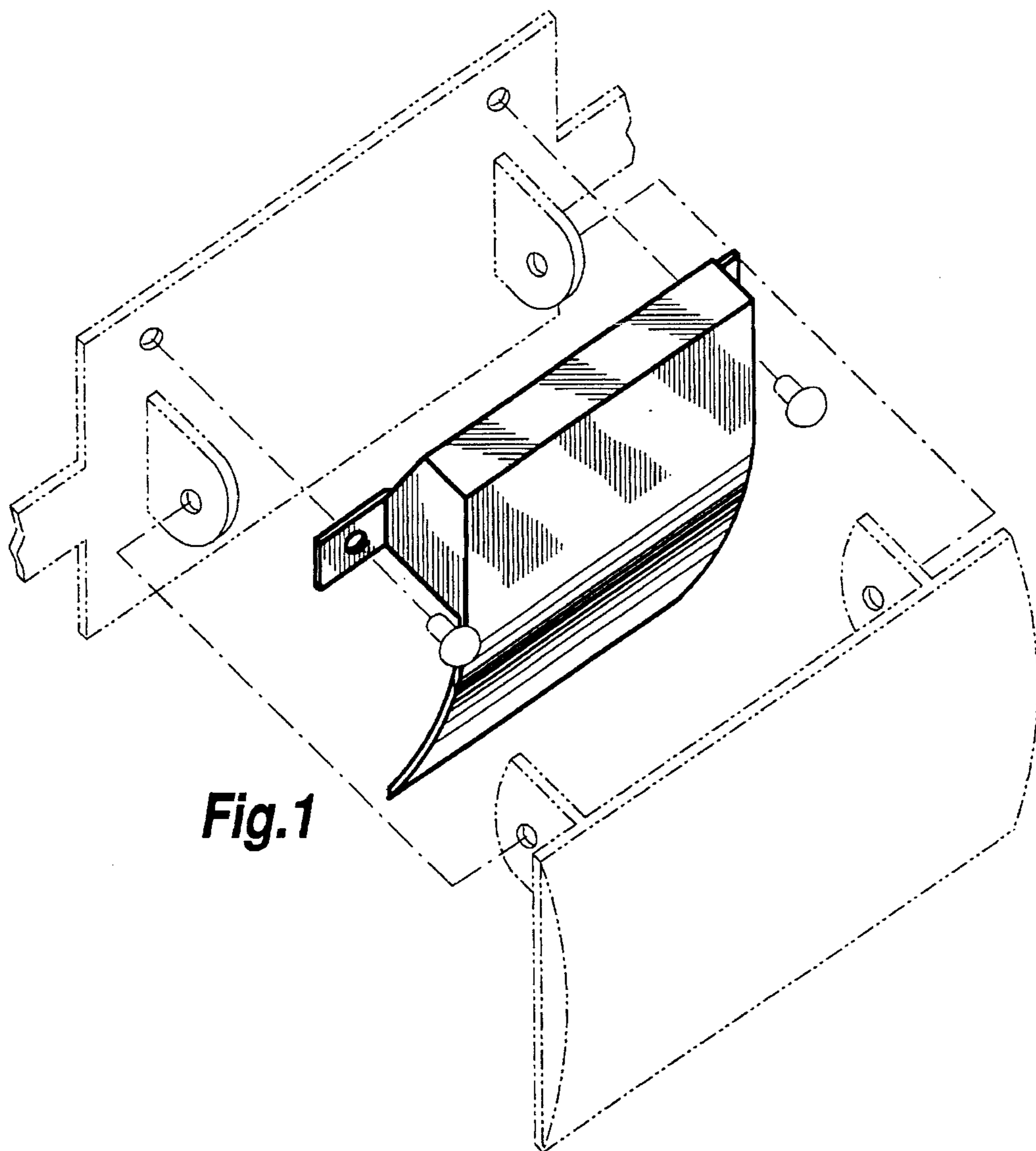


Fig.1

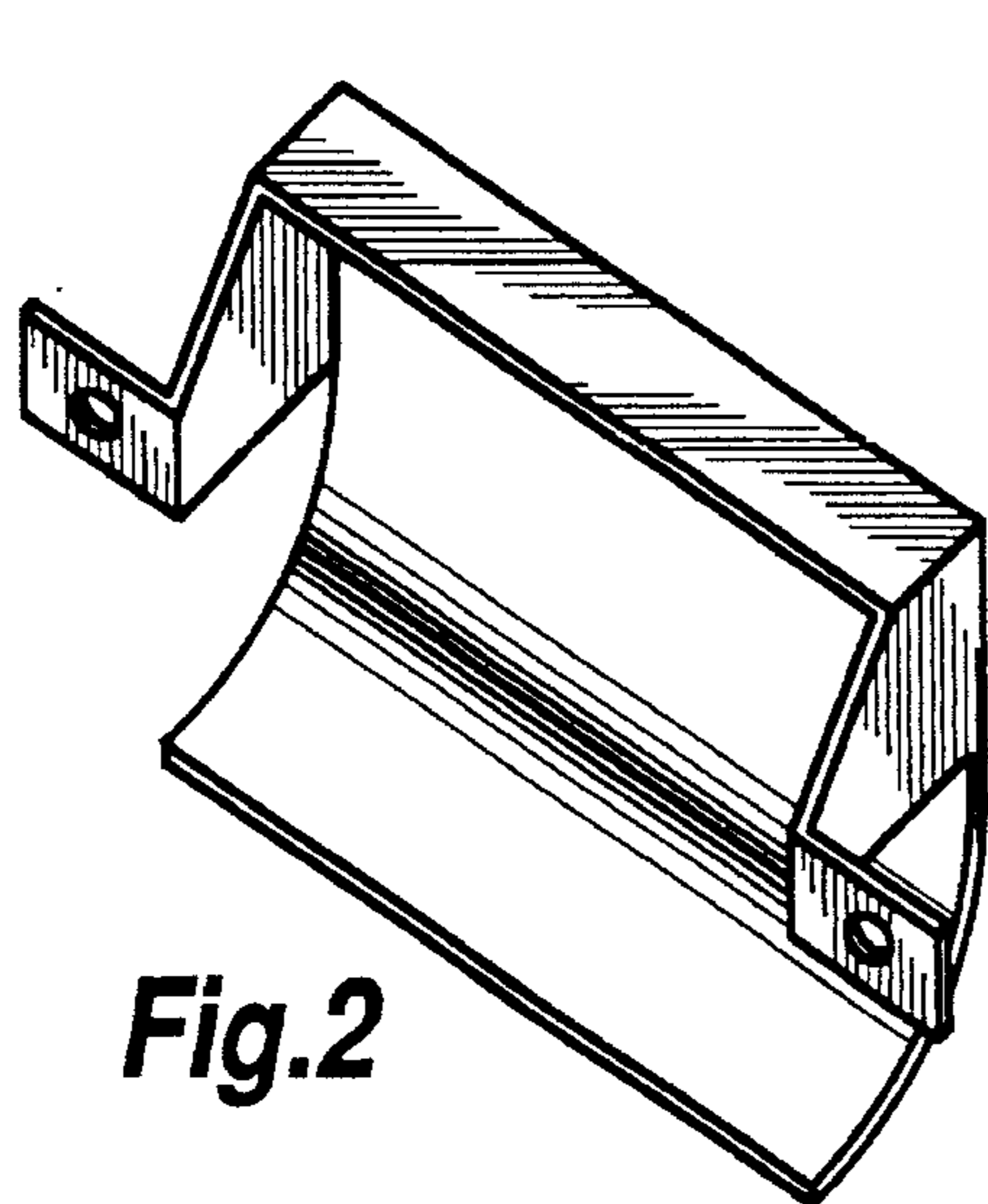


Fig.2

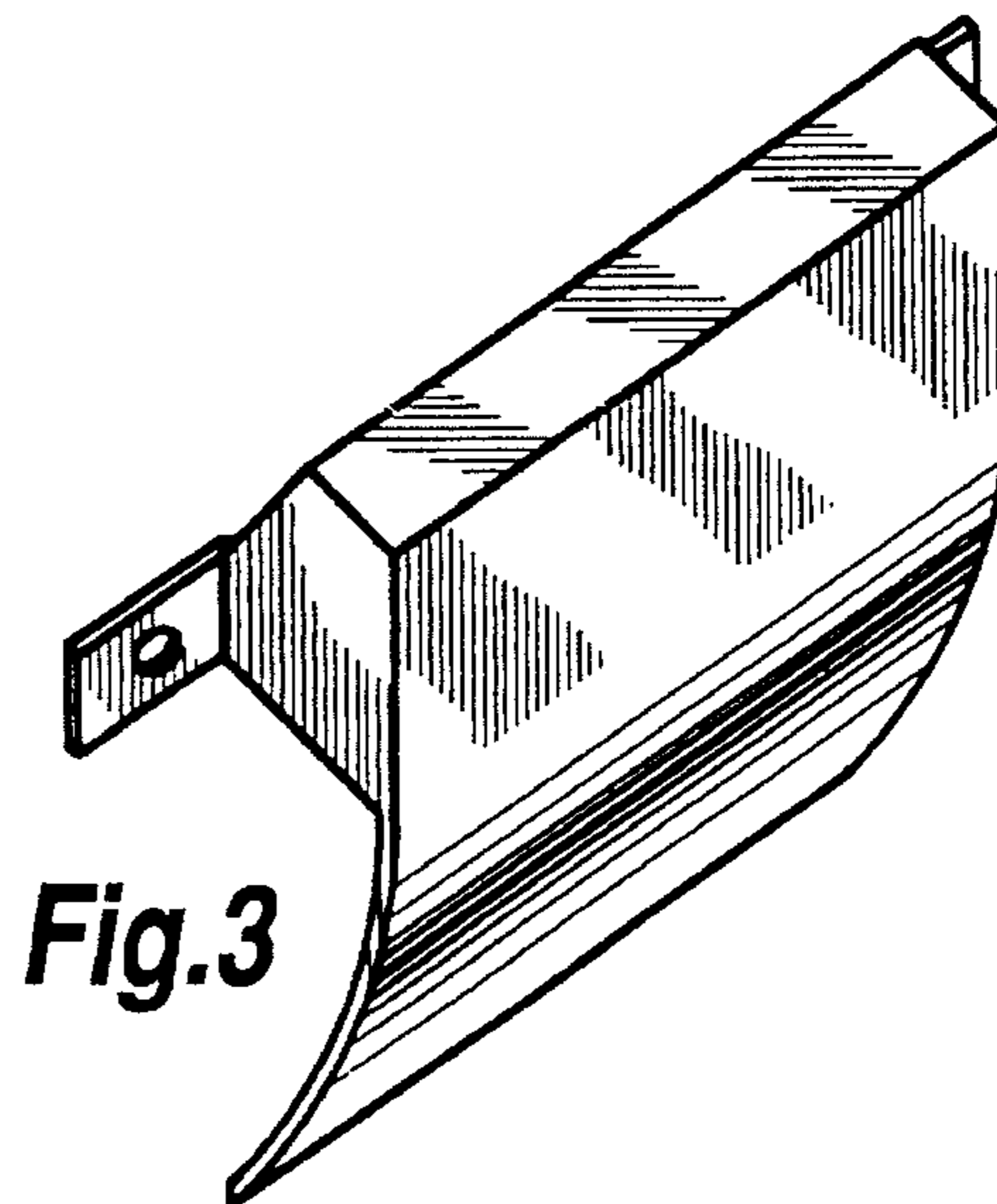


Fig.3

